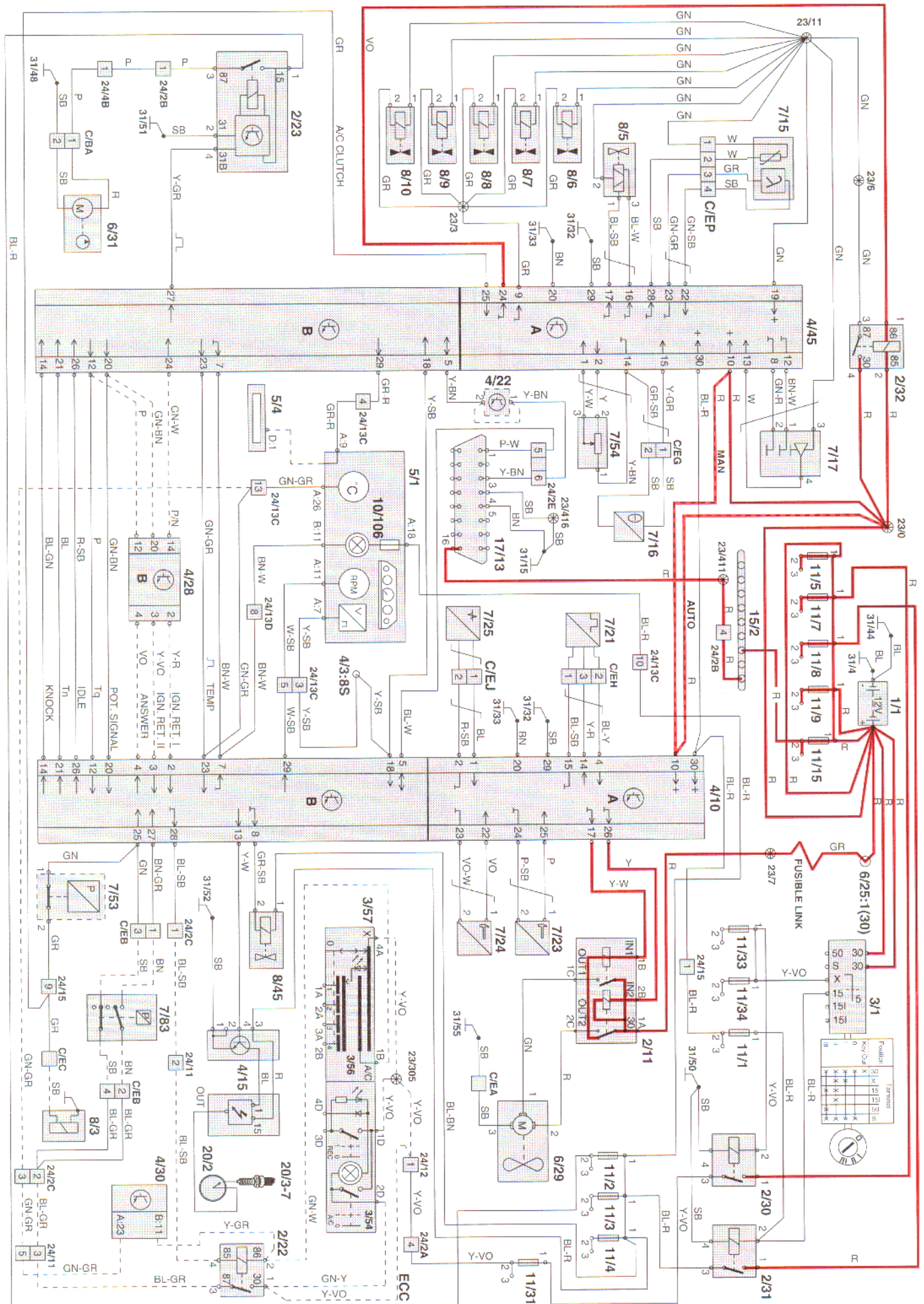
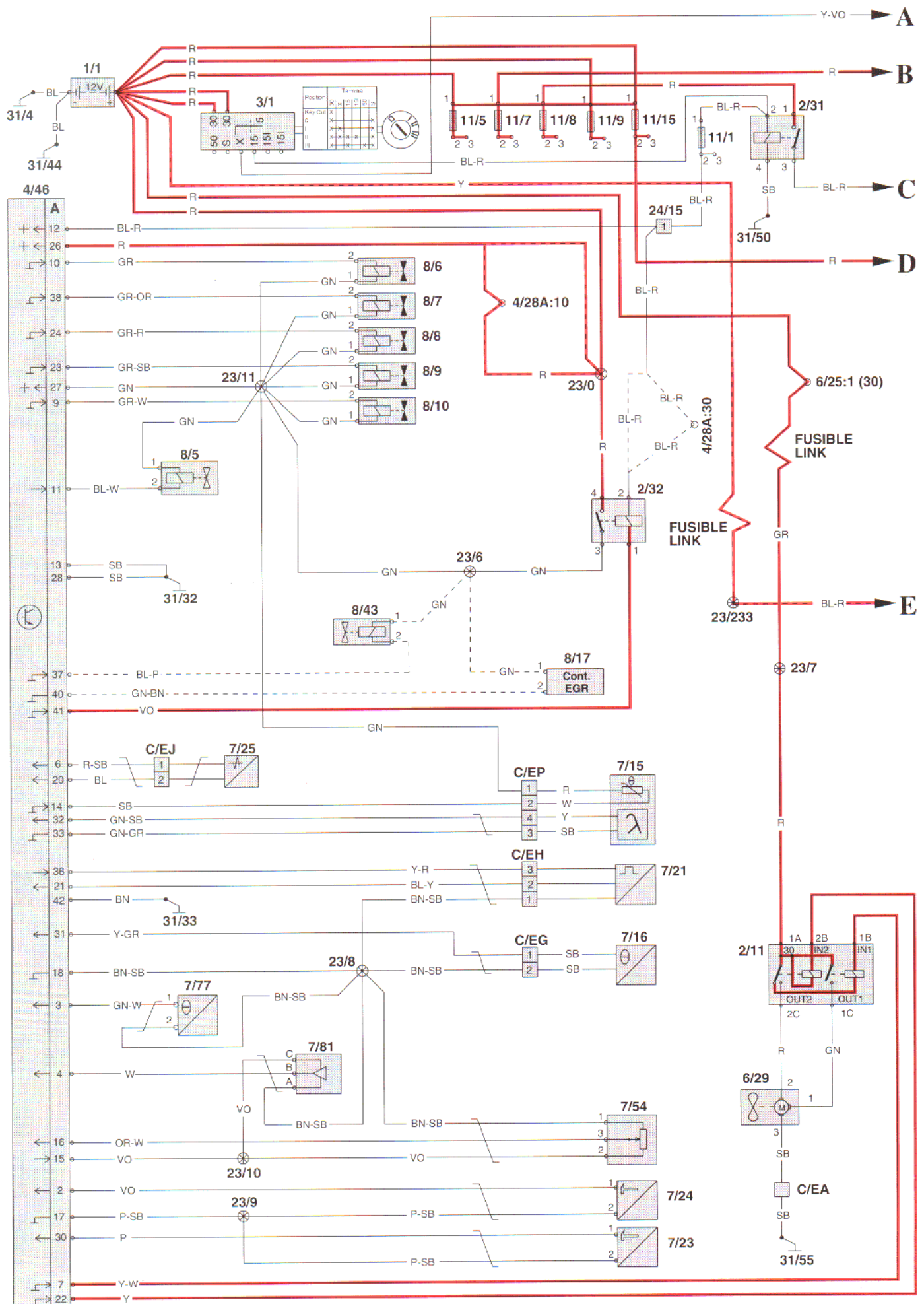


# Multipoint fuel injection (MFI) system, LH-jetronic 3.2 & EZ 129 K

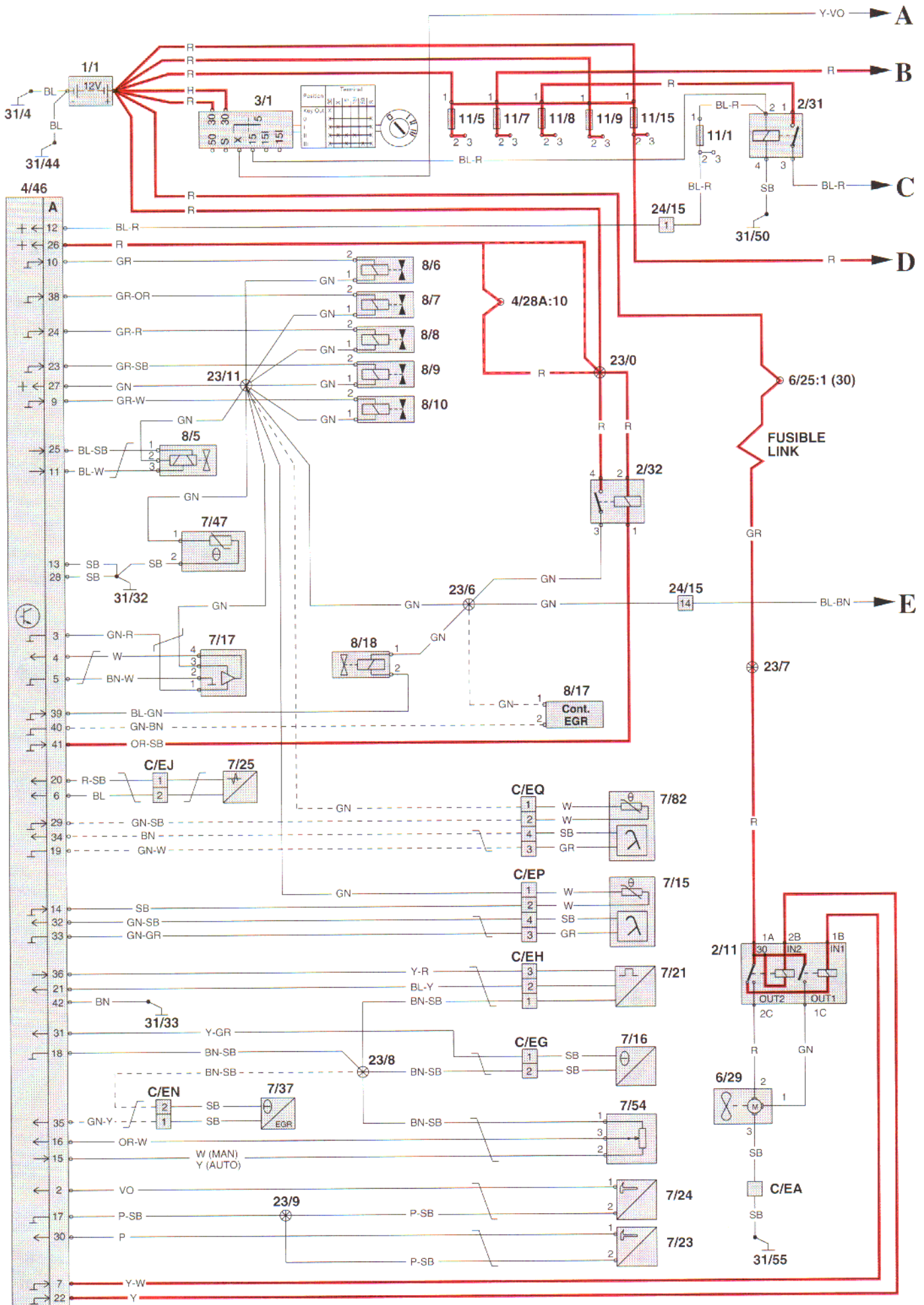


# Multipoint fuel injection (MFI) system, Fenix 5.2

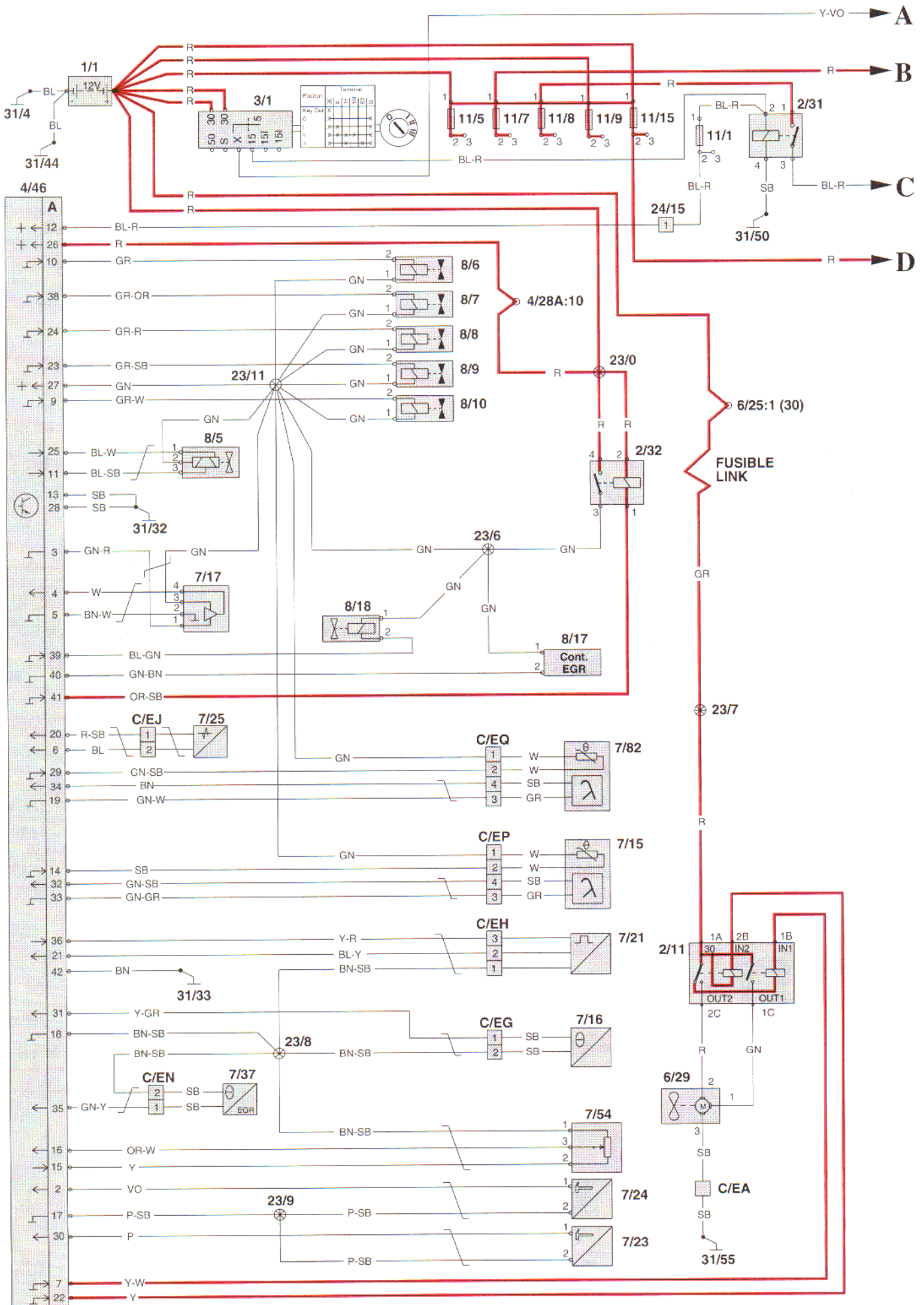




# Sequential fuel injection system, Motronic 4.3 (B 5204 T, B 5234 T/T5)



# Sequential fuel injection (SFI) system, Motronic 4.3 (B 5254 S)



# Sequential fuel injection (SFI) system, Motronic 4.4 (B 5254 S)

