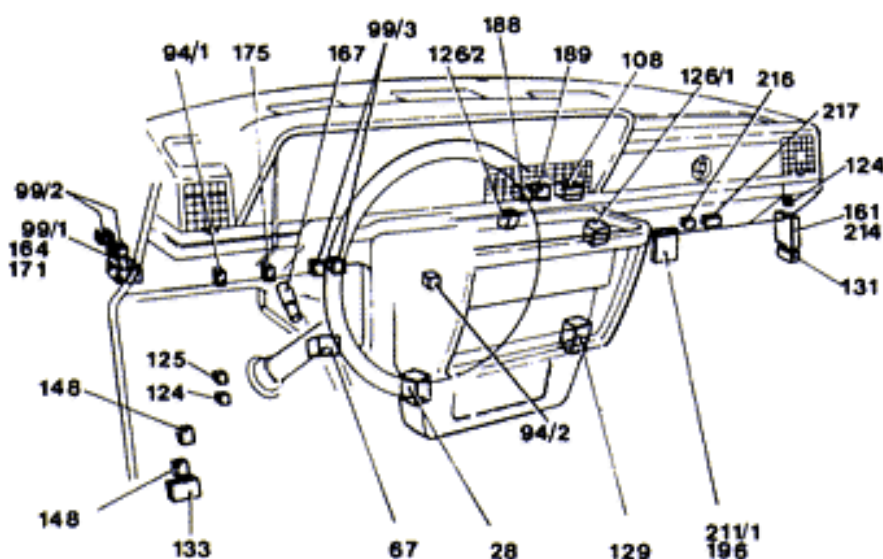


Location of Relays-240/260 Series



The drawings of relays and control units in the illustrations are for location only, not size or shape.

<u># Key</u>	<u>Description</u>	<u># Key</u>	<u>Description</u>
2	Terminal board	156	Auxiliary light and foglamp relay
9/1	Voltage regulator	159	Oxygen sensor (Lambda Sond ®) relay, - 85
13	Stepping relay for low beams, high beams and flasher	161	Emission control system control unit, -85
28	Direction indicator relay	164	Glow plug relay, D24, with integral 80 A fuse
67	Light warning buzzer, - 80	165	Glow plug relay, D24, 84-
80	Headlamp wiper relay, 80 -	167	Time delay relay, interior lighting
94/1	Seat belt reminder, (USA)	168	Electric radiator fan, - 85
94/2	Seat belt reminder, 80-	171	Direction indicator control unit, - 86
99/1	Fuel pump relay, - 79	175	Rear window heater relay, USA, -89
99/2	Fuel pump relay, - 76/77	188	Central locking relay, opening
99/3	Fuel pump relay, - 75	189	Central locking relay, closing
		196	Rex ignition system control unit

- | | | | |
|-------|---|-------|--|
| 104/1 | Ignition system control unit. | 210/1 | TZ-28H ignition system control unit |
| 104/2 | Ignition system control unit, TSZ-04/TSZ-2 (260), 85- | 210/2 | Chrysler ignition system control unit |
| 108 | Overdrive relay | 210/3 | Control unit relay, diesels, 80- |
| 124 | Main lighting relay, - 85 | 211/1 | EZ-116K ignition system control unit, - 89 |
| 125 | Rear foglamp relay, - 86 | 211/2 | Starting valve impulse relay, - 85 |
| 126/1 | Power window relay, - 80 | 212 | In-line fuse for emission control system |
| 126/2 | Power window relay, - 84 | 214 | Control unit, LH emission control system |
| 129 | Air conditioning relay | 216 | Fuel pump relay, 84- |
| 131 | CIS control unit, - 85 | 217 | Main relay for LH emission control system |
| 133 | Dim-dip regulator (GB) | 230 | Speed relay, - 85 |
| 148 | Windshield wiper intermittent relay | 231 | AC switch-out relay |
| 153 | Spotlamp relay, 80- | | |

