

Volvo No. 2  
Issue 1

The

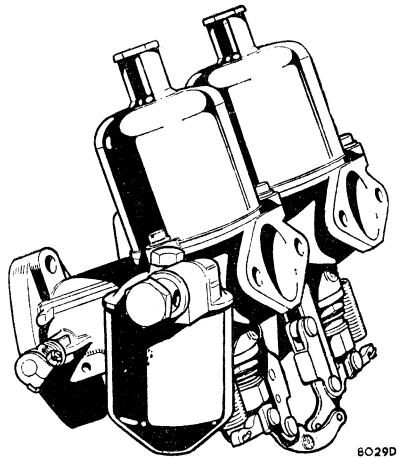


# CARBURETTORS

FITTED TO THE

## VOLVO 1956-8

(PAIR H4 DUSTPROOF. SPECIFICATION No. AUC835)



8029D

MANUFACTURED

by

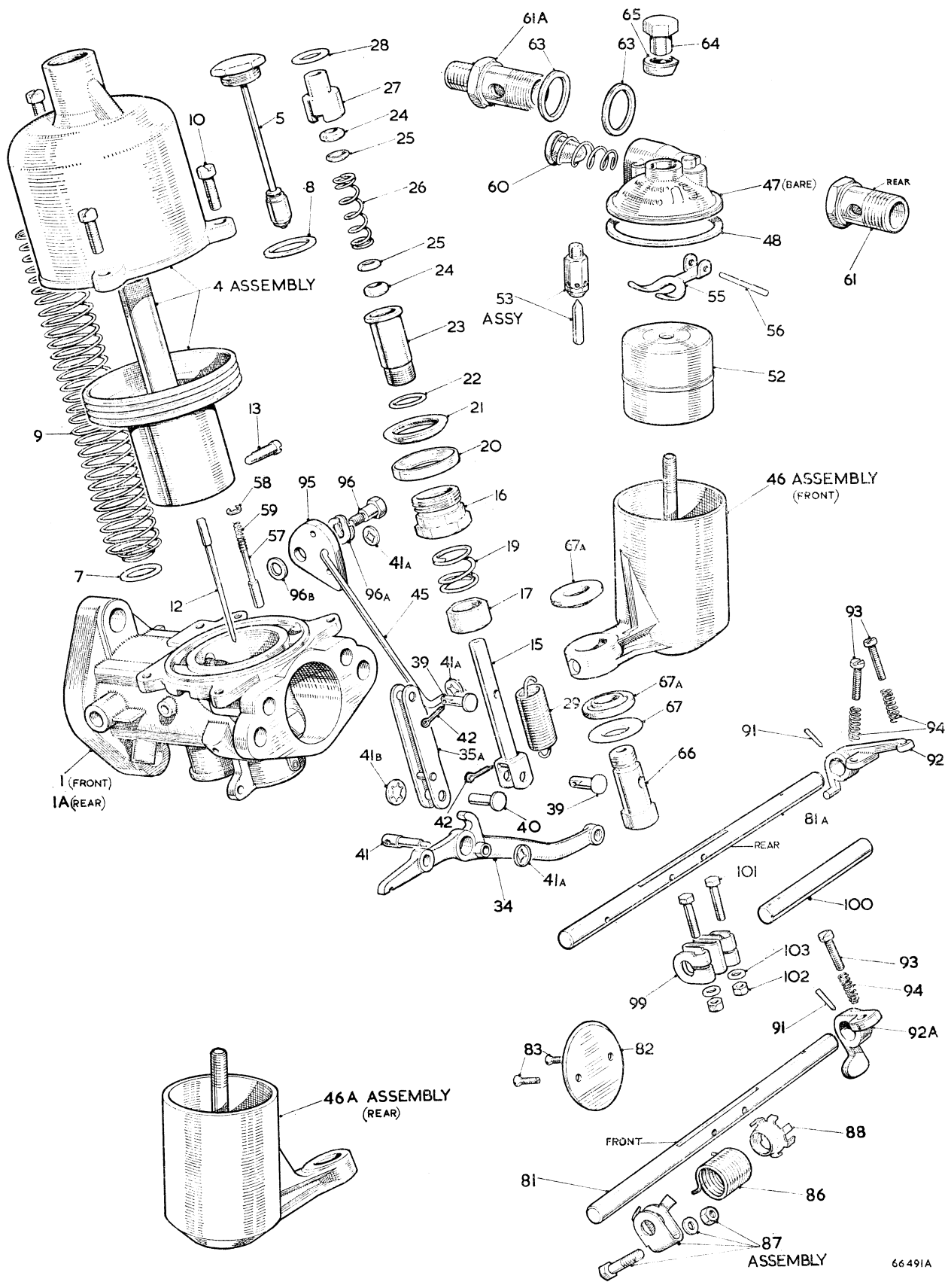
**THE S.U. CARBURETTOR COMPANY LIMITED**

*Proprietors: MORRIS MOTORS LTD.*

WOOD LANE · ERDINGTON · BIRMINGHAM 24

TELEPHONE: ERDINGTON 7371 (7 lines)

TELEGRAMS: CARBURFLEX, BIRMINGHAM



## PAIR OF DUSTPROOFED CARBURETTERS (TYPE H4)

Illus. No.	Part No.	Qty. off	DESCRIPTION	Illus. No.	Part No.	Qty. off	DESCRIPTION
—	<b>AUC9034</b>	<b>1</b>	<b>Carburetter complete—front.</b>				<b>Jet Lever and Link Sub-Assembly</b> ( <i>continued</i> )
—	<b>AUC9035</b>	<b>1</b>	<b>Carburetter complete—rear.</b>				Starlock washers— $\frac{3}{16}$ " dia.—jet link.
				41B	AUC5004	2	$\frac{1}{16}$ " split pin.
				42	AUC2109	4	Tension link rod—rear carburetter.
				45	AUC4732	1	
			<b>BODY SUB-ASSEMBLY</b>				
1	AUC7320	1	Body—bare—front.				
1A	AUC7321	1	Body—bare—rear.				
59	AUC1151	2	Spring—pin.				
57	AUC1249	2	Piston lift pin.				
58	AUC1250	2	Circlip—pin.				
			<b>SUCTION CHAMBER AND PISTON SUB-ASSEMBLY</b>				<b>FLOAT-CHAMBER SUB-ASSEMBLY</b>
4	AUC8019	2	Suction chamber and piston sub-assembly.	46	AUC3495	1	Float-chamber with stud—front.
5	AUC8102	2	Oil cap damper assembly.	46A	AUC3496	1	Float-chamber with stud—rear.
7	AUC3071	2	Thrust washer—piston spring.		AUC8173	2	Float-chamber lid—front and rear assemblies.
8	AUC4900	2	Fibre washer—oil cap.	47	AUC1160	2	Float-chamber lid (bare).
9	AUC4387	2	Piston spring—red.	48	AUC1147	2	Float-chamber lid washer—fibre.
10	AUC2175	6	Suction chamber securing screws— $\frac{3}{16}$ " Whit.	52	AUC1123	2	Float.
12	GT	2	Jet needle—standard.	53	AUC8170	2	Float needle and seat assembly.
13	AUC2468	2	Jet needle locking screw.	55	AUC1980	2	Float hinged lever.
				56	AUC1152	2	Float hinged lever pin.
				60	AUC2139	2	Filter.
				61	AUC2698	1	Banjo bolt—float lid—rear carburetter.
				61A	AUC4662	1	Banjo bolt—float-chamber lid—front carburetter.
				63	AUC2141	4	Fibre washer—banjo bolt.
				64	AUC1163	2	Cap nut.
				65	AUC1606	2	Cover cap—cap nut.
				66	AUC1135	2	Holding-up bolt—float-chamber.
				67	AUC1137	2	Washer—holding-up bolt.
				67A	AUC1134	4	Rubber grommet—holding-up bolt.
							<b>THROTTLE SPINDLE AND LEVER SUB-ASSEMBLY</b>
15	AUC8182	2	Jet with head assembly.	81	AUC3348	1	Throttle spindle—front.
16	AUC3232	2	Jet sealing nut.	81A	AUC3212	1	Throttle spindle—rear.
17	AUC2121	2	Jet adjusting nut—brass.	82	AUC3116	2	Throttle disc.
19	AUC2114	2	Jet adjusting lock spring.	83	AUC1358	4	Throttle disc screw.
20	AUC2117	2	Jet sealing ring—brass.	86	AUC4781	1	Return spring—throttle—front.
21	AUC2118	2	Jet sealing ring—cork.	87	AUC4771	1	Retainer clip assembly—front carburetter.
22	AUC3233	2	Jet copper washer—bottom half bearing.	88	AUC4770	1	Anchor plate—front carburetter.
23	AUC3231	2	Jet bearing—bottom half.	91	AUC2106	2	Taper pin— $\frac{1}{8}$ "—stop lever—throttle.
24	AUC2120	4	Jet gland washer—cork.	92	AUC4713	1	Throttle stop—cam—rear carburetter.
25	AUC2119	4	Jet gland washer—brass.	92A	AUC2199	1	Throttle stop—front carburetter.
26	AUC1158	2	Jet gland spring.	93	AUC2521	3	Throttle stop adjusting screw.
27	AUC3230	2	Jet bearing—top half.	94	AUC2451	3	Lock spring—screw.
28	AUC2122	2	Jet bearing copper washer—top half bearing.	95	AUC4730	1	Cam plate—rear carburetter.
29	AUC4667	2	Jet return spring.	96	AUC3471	1	Pivot bolt—cam—rear carburetter.
				96A	AUC3472	1	Spring washer—pivot bolt—D/C.
				96B	AUC4848	1	Plain washer—back of cam.
34	AUC4817	2	Jet lever—front and rear carburetters.	101	AUC2669	1	Bolt (4 BA)—end clip.
35A	AUC4819	2	Jet link—front and rear carburetters.	102	AUC2673	1	Nut (4 BA)—end clip.
39	AUC2381	4	Pivot pins—short—front and rear carburetters.	103	AUC4612	1	Plain washer—end clip.
40	AUC5009	2	Link pin—front and rear carburetters.				
41	AUC5011	1	Swivel pin—jet lever—rear carburetter.				
41A	AUC5002	3	Starlock washers— $\frac{1}{8}$ " dia.—rear carburetter.				