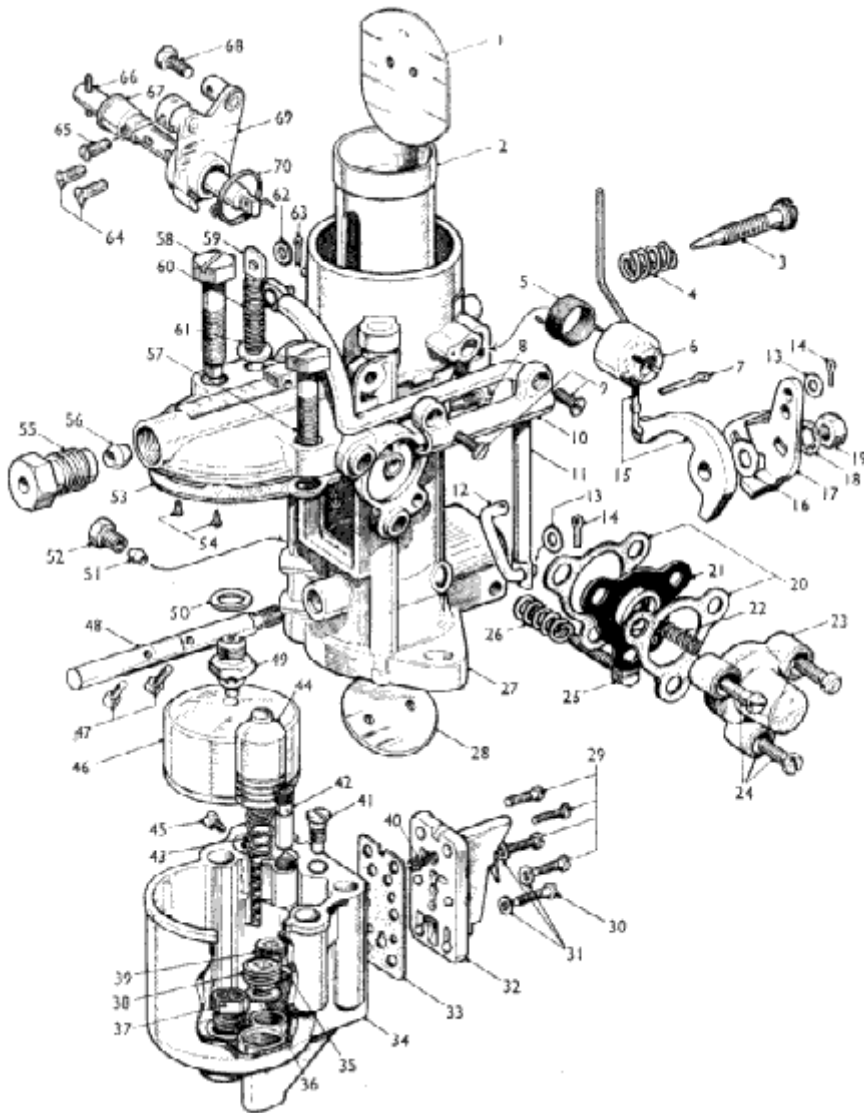


# Zenith 30 VIG 9



## Zenith 30 VIG 9

<b>Illus No</b>	<b>Description</b>	<b>Illus No</b>	<b>Description</b>
1	Choke flap	36	Fibre washer for compensating jet
2	Choke tube	37	Pump non-return valve
3	Air regulating screw	38	Compensating jet
4	Spring for 3	39	Main jet
5	Choke spring (automatic)	40	Pump jet
6	Spring carrier	41	Slow running jet
7	Split pin	42	Ball valve for pump circuit
8	Choke tube fixing screw	43	Pump piston spring
9	Bearing plate screw x2	44	Pump piston
10	Bearing plate for pump control	45	Pump piston stop screw
11	Pump control lever	46	Float
12	Pump control link	47	Throttle disc screw x2
13	Washer for 12	48	Throttle spindle
14	Split pin for 12	49	Needle valve
15	Lever & interconnection link	50	Needle valve washer
16	Washer for throttle spindle	51	Olive for auto ignition connection
17	Throttle lever	52	Plug for 51
18	Lockwasher for 16	53	Top bowl gasket
19	Throttle spindle nut	54	Drive screw for 53 x4
20	Economy diaphragm gasket x2	55	Plug for petrol connection
21	Economy diaphragm	56	Olive for 55
22	Economy diaphragm spring	57	Screw, bowl to body(plain type)
23	Economy valve cover	58	Screw, bowl to body(jet key type)
24	Screw for 23 x3	59	Pump rod
25	Throttle stop screw	60	Pump rod spring
26	Spring for 25	61	Washer for 60
27	Body	62	Washer for pump rod pivot
28	Throttle	63	Split pin
29	Emulsion block screw (short) x4	64	Choke flap screw x2
30	Emulsion block screw (long)	65	Screw for interconnection swivel
31	Washer for lower block screws x3	66	Choke spindle
32	Emulsion block	67	Choke lever bearing
33	Carburettor bowl/emulsion gasket	68	Screw for control wire swivel
34	Carburettor Bowl	69	Choke lever
35	Fibre washer for main jet	70	Choke spring