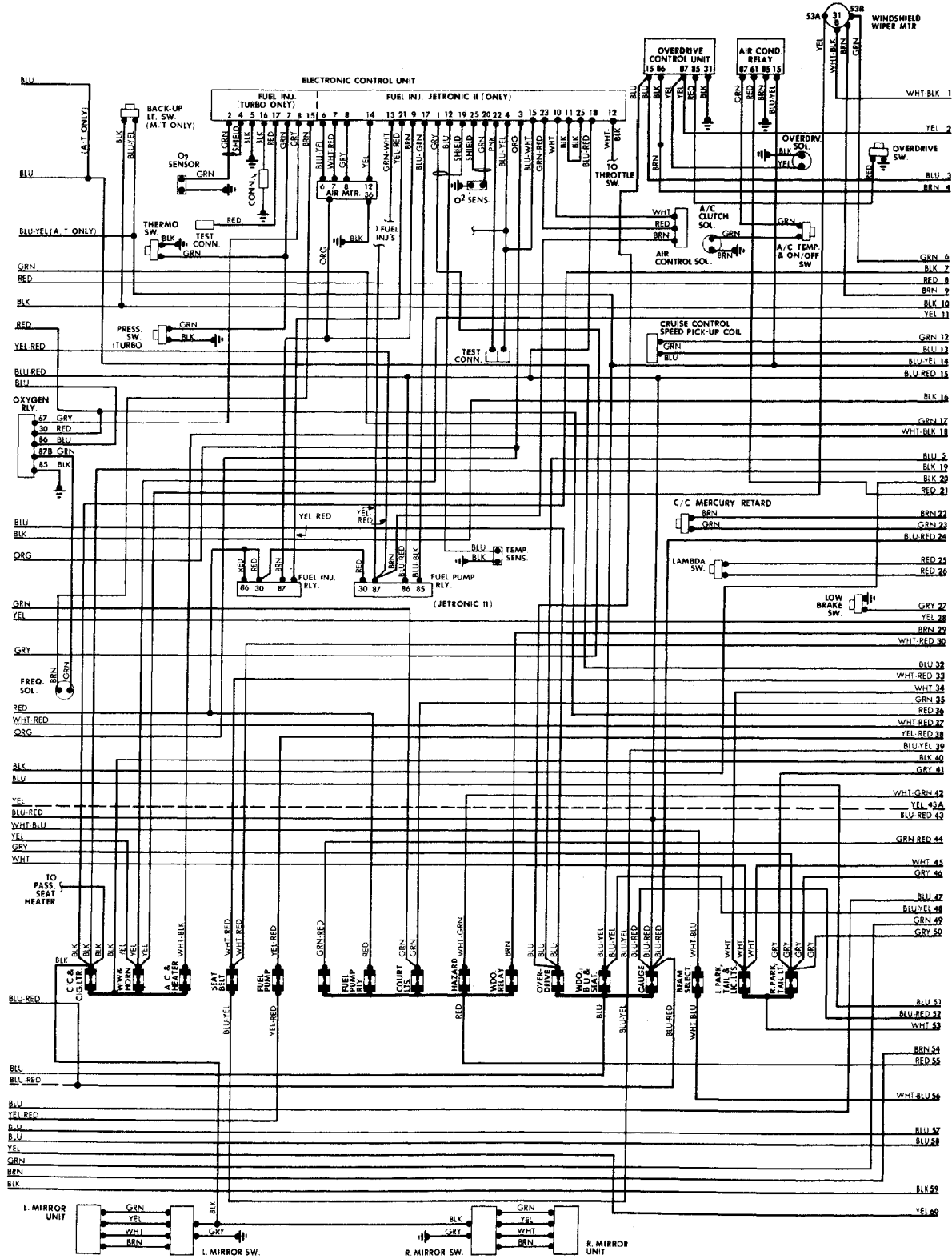


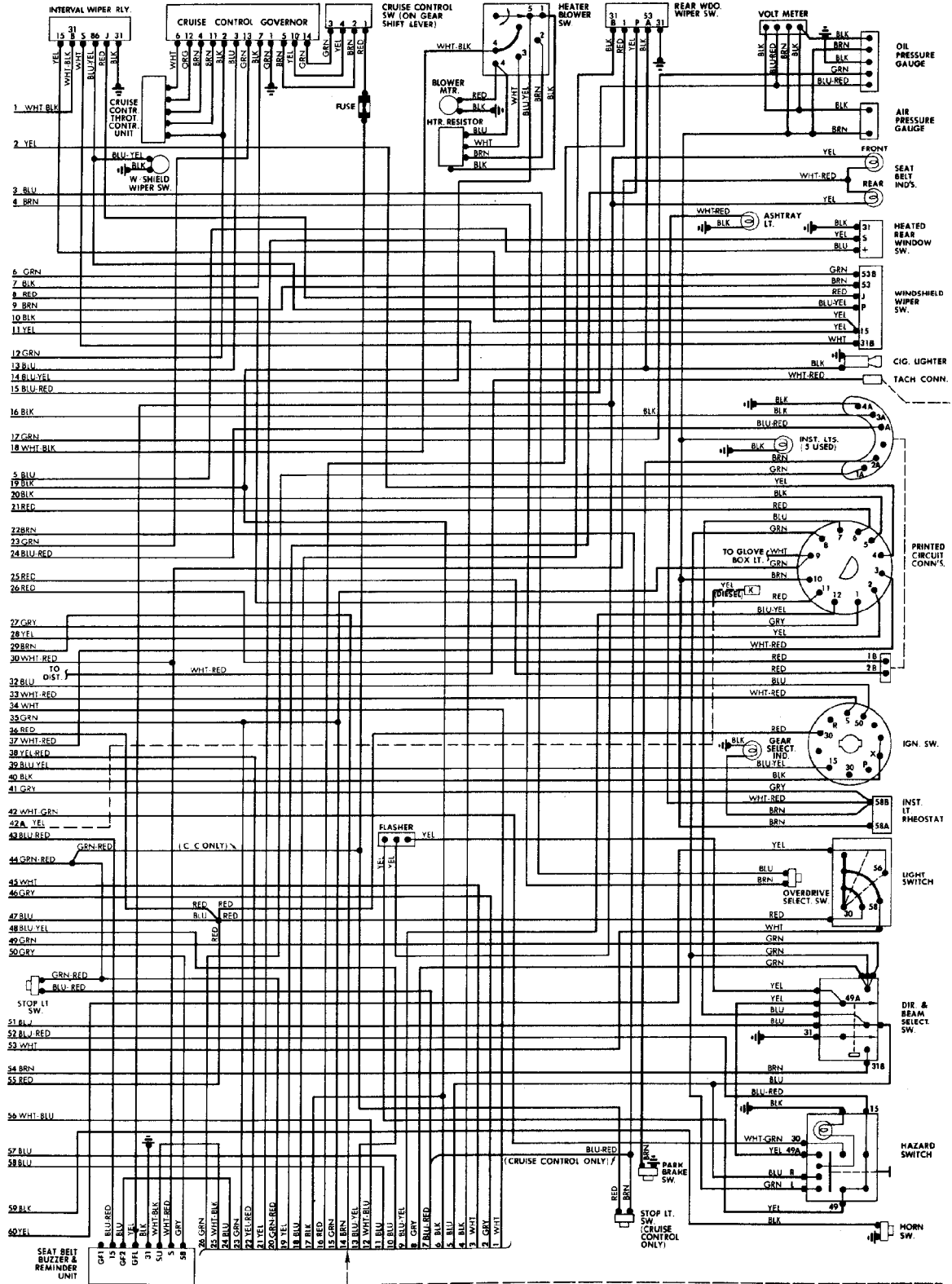
**WIRING DIAGRAMS**  
**Fig. 2: Fuse Block & Underdash**  
 1983 Volvo 240DL/GL



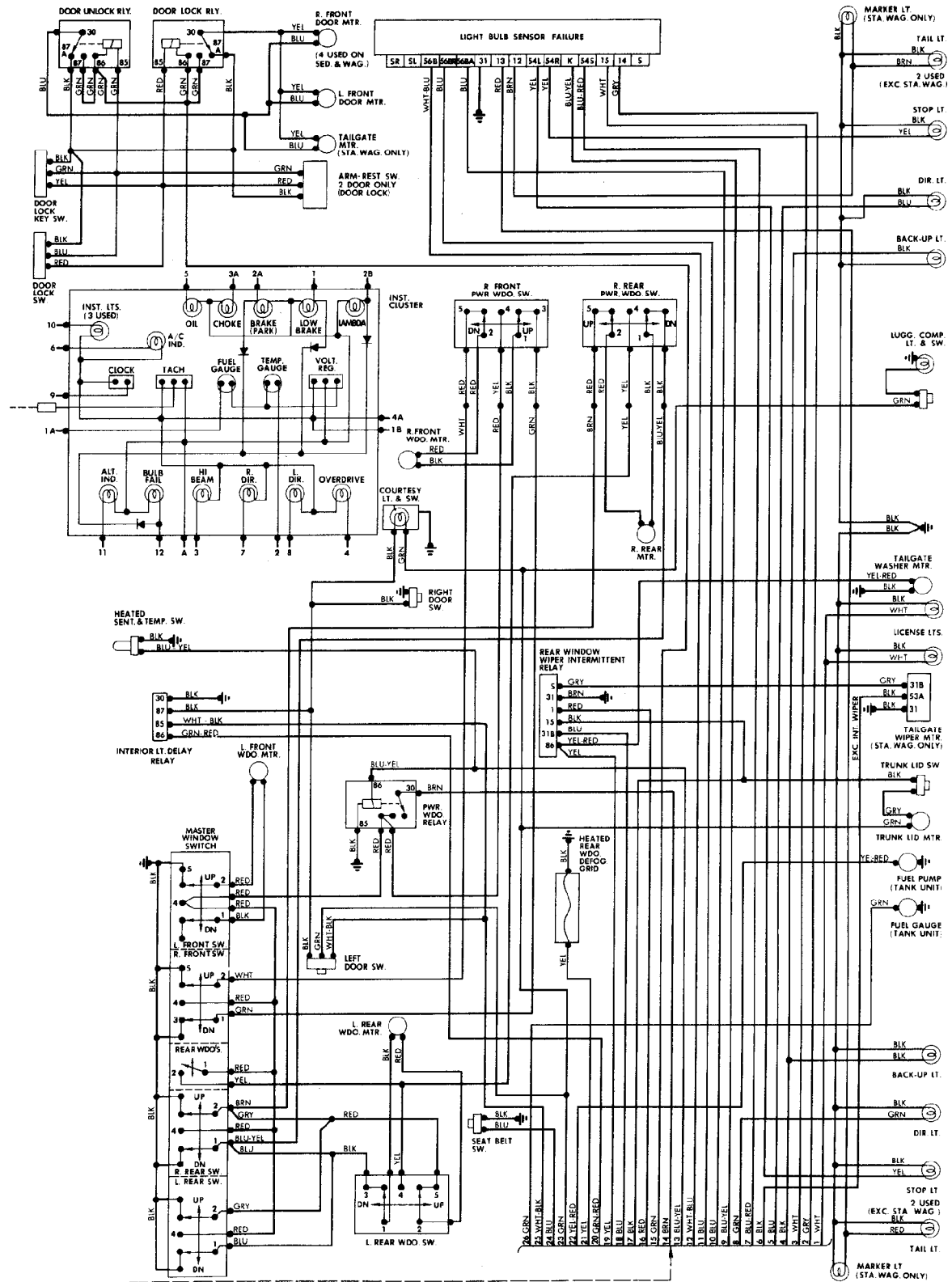
# WIRING DIAGRAMS

## Fig. 3: Underdash (Cont.) & Instrument Panel

### 1983 Volvo 240DL/GL



**WIRING DIAGRAMS**  
**Fig. 4: Rear Compartment & Accessories**  
 1983 Volvo 240DL/GL



**WIRING DIAGRAMS**  
**Fig. 2: Fuse Block & Underdash**  
 1983 Volvo 240DL/GL

