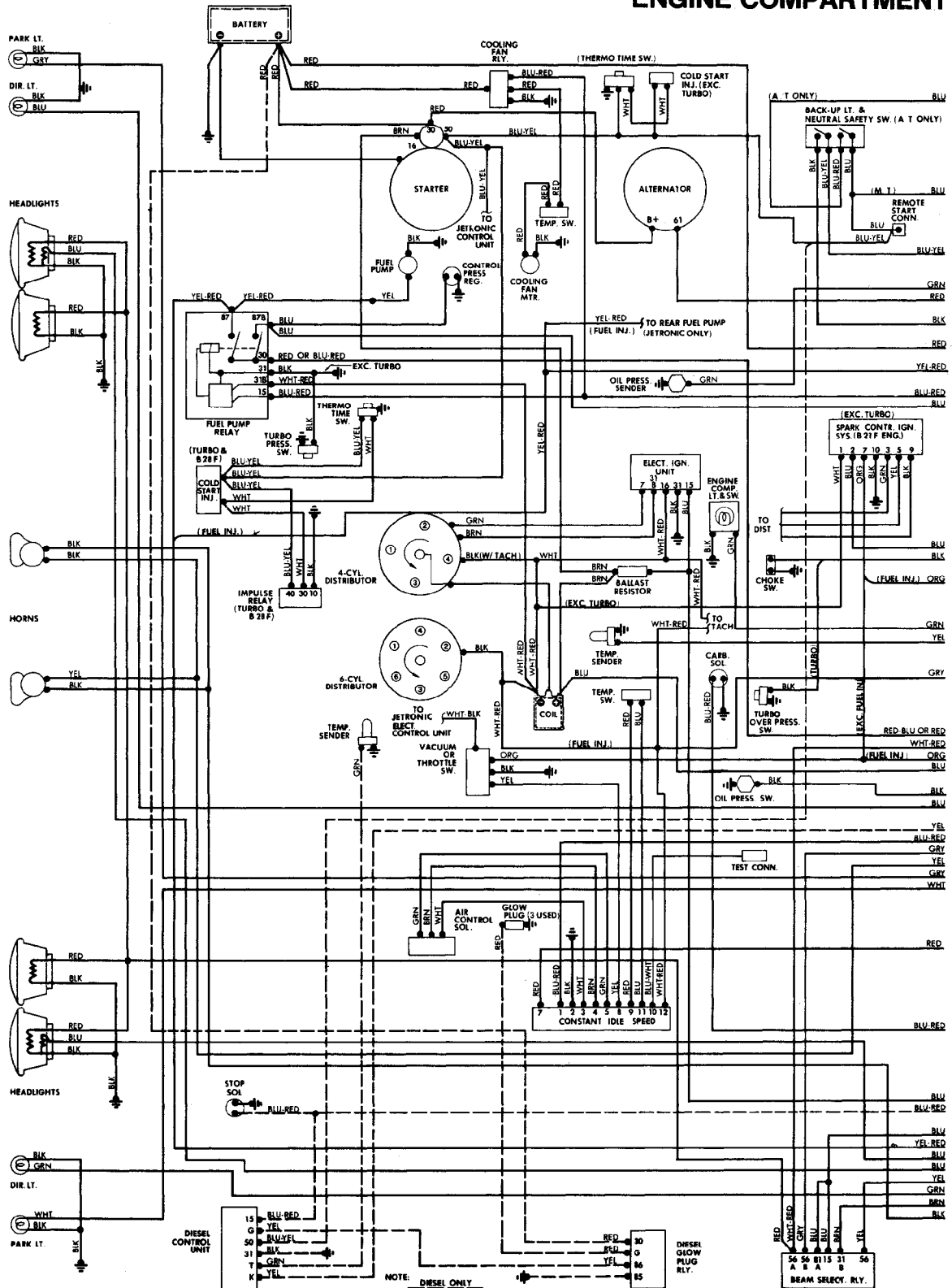


WIRING DIAGRAMS
Fig. 1: Engine Compartment
 1984 Volvo 240DL/GL

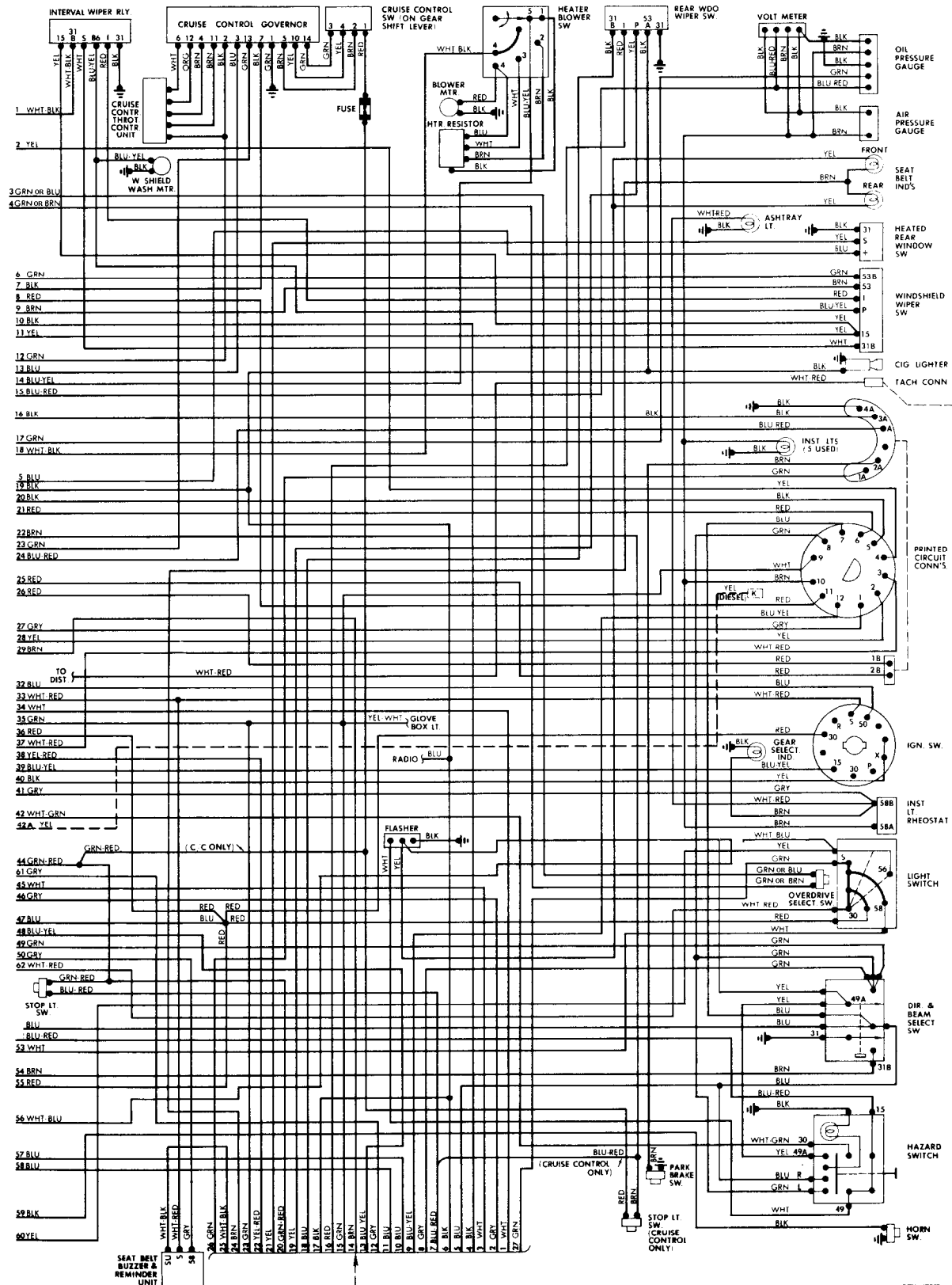
ENGINE COMPARTMENT



WIRING DIAGRAMS

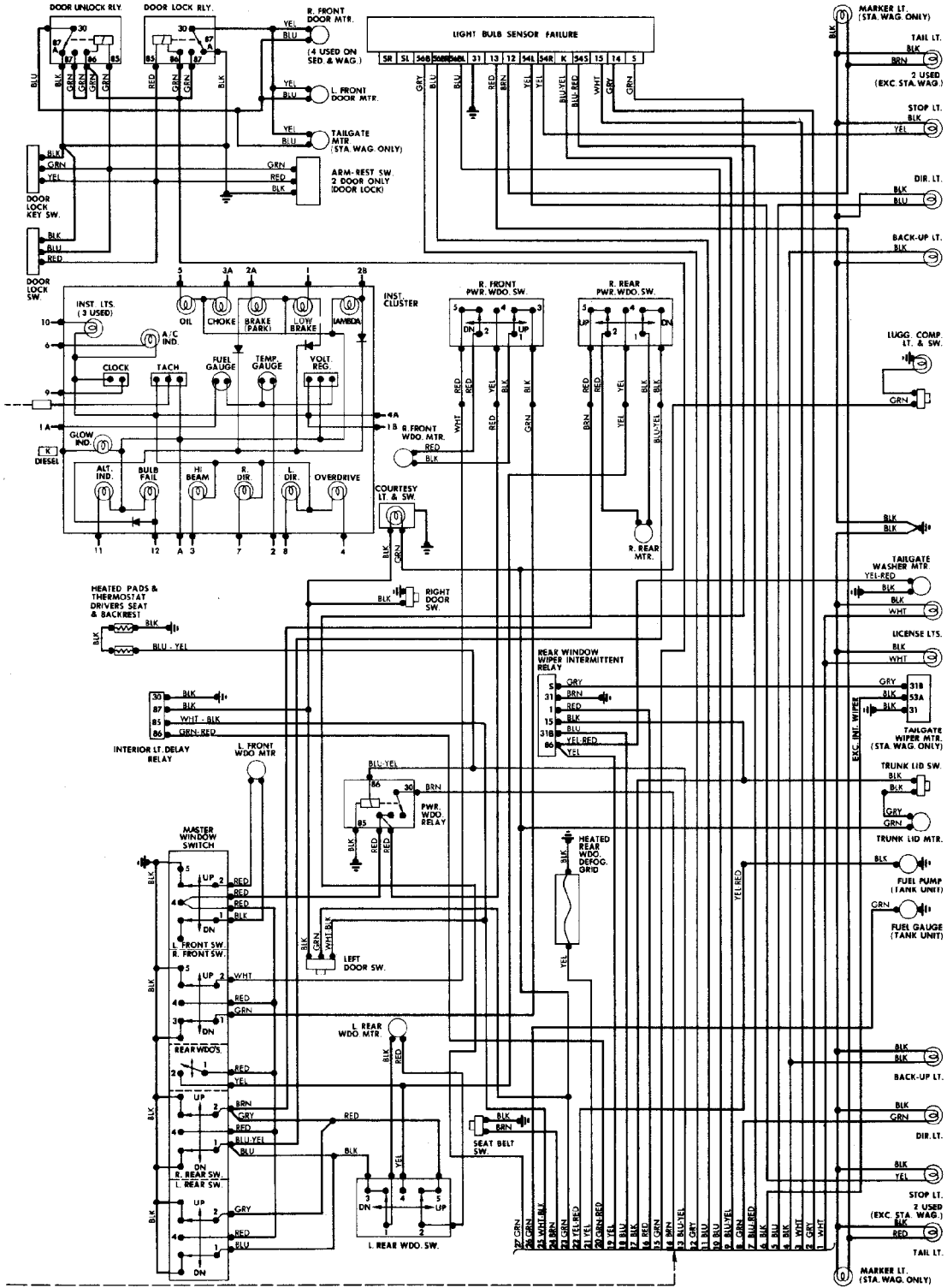
Fig. 4: Underdash (Cont.) & Instrument Panel

1984 Volvo 240DL/GL

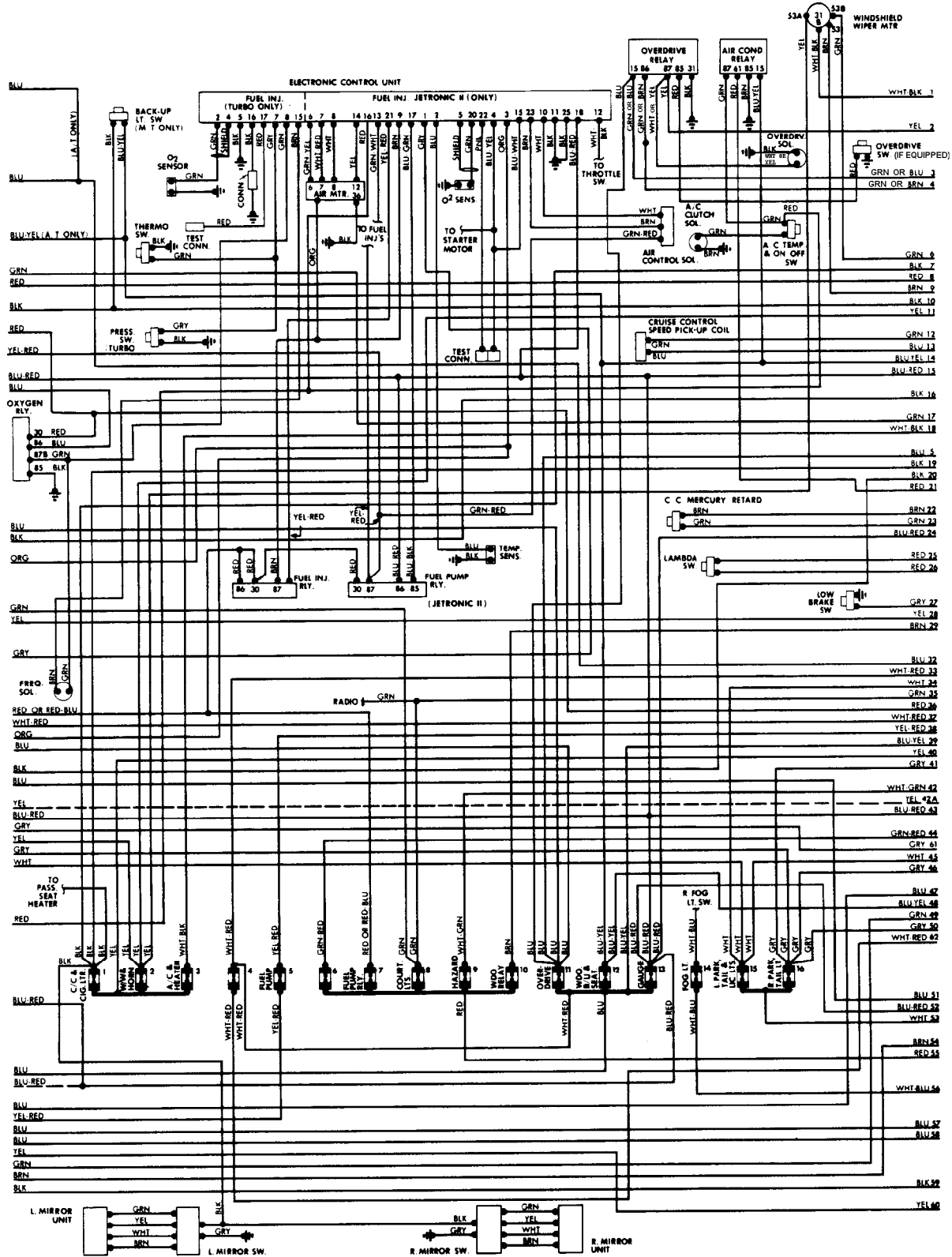


WIRING DIAGRAMS
Fig. 5: Rear Compartment & Accessories
 1984 Volvo 240DL/GL

REAR COMPARTMENT & ACCESSORIES



WIRING DIAGRAMS
Fig. 2: Fuse Block & Underdash
 1984 Volvo 240DL/GL



WIRING DIAGRAMS

Fig. 3: Fuel Injection System Wiring Diagram (Bosch LH Jetronic II)
1984 Volvo 240DL/GL

