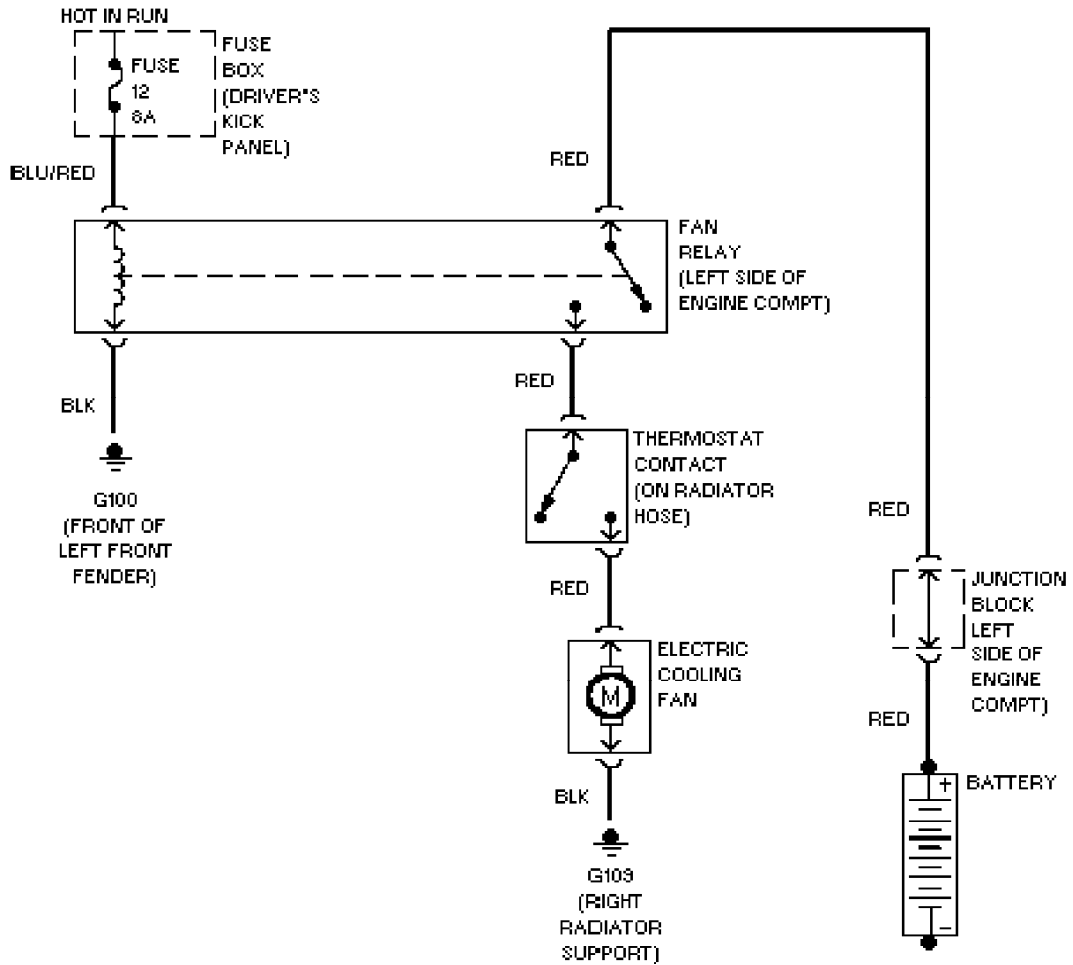


SYSTEM WIRING DIAGRAMS

Cooling Fan Circuit

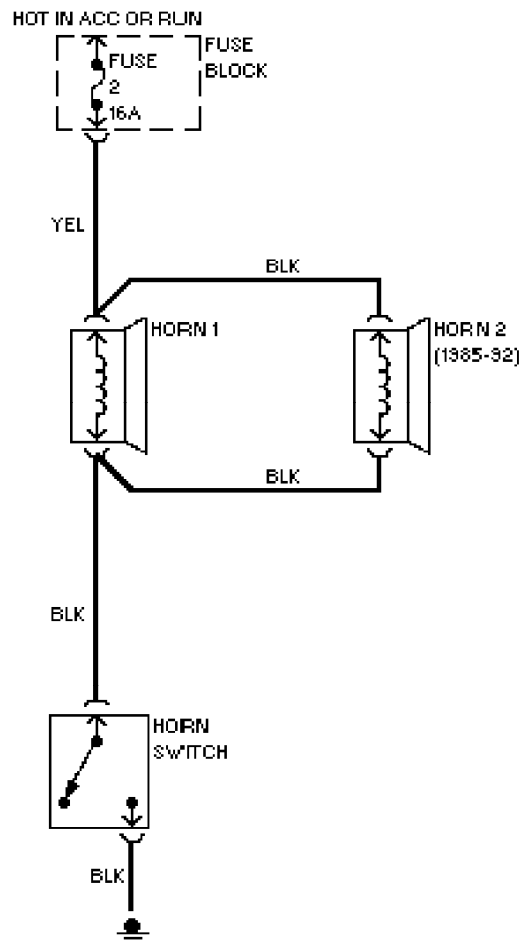
1985 Volvo 240DL/GL



SYSTEM WIRING DIAGRAMS

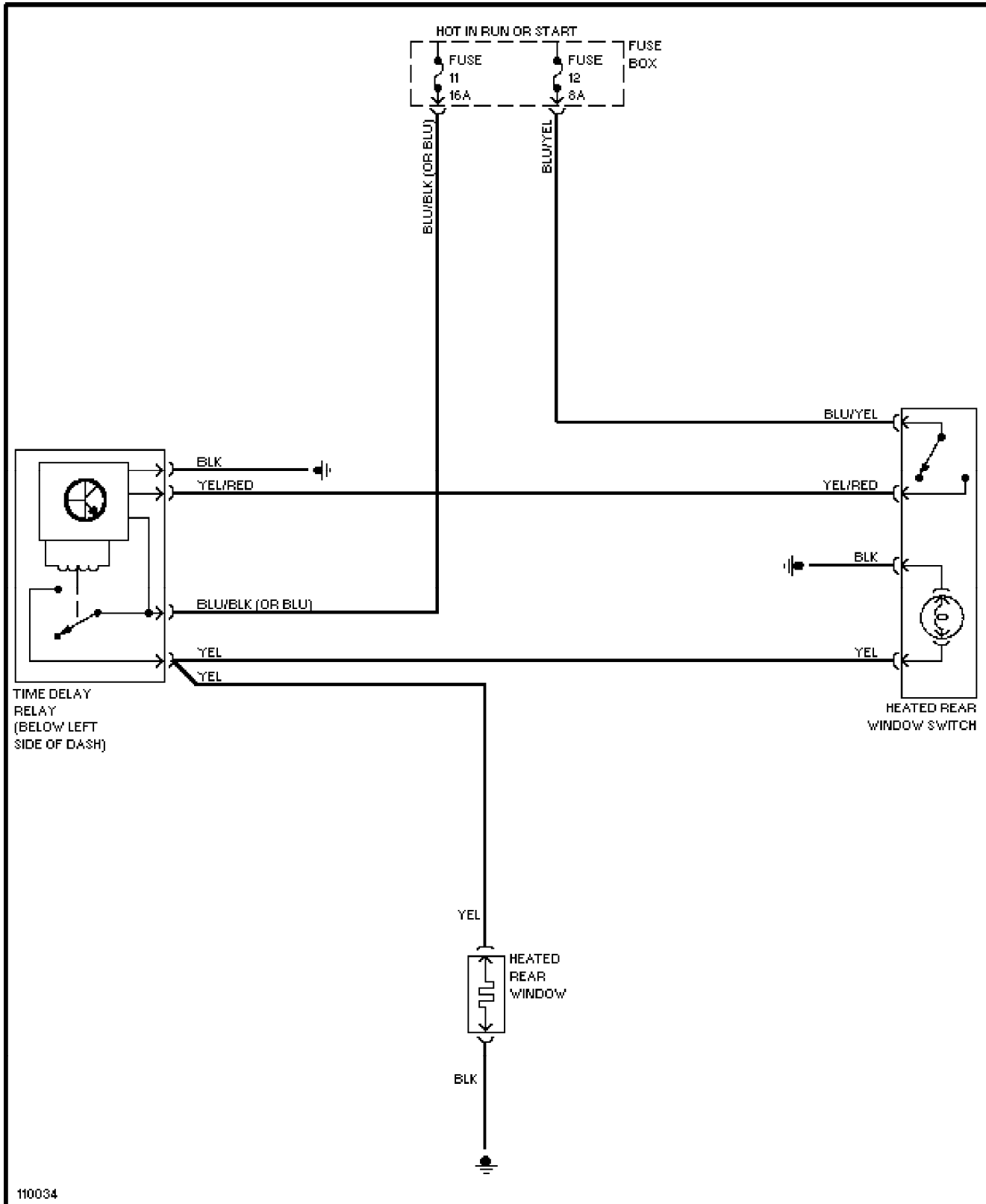
Horn Circuit

1985 Volvo 240DL/GL



103960

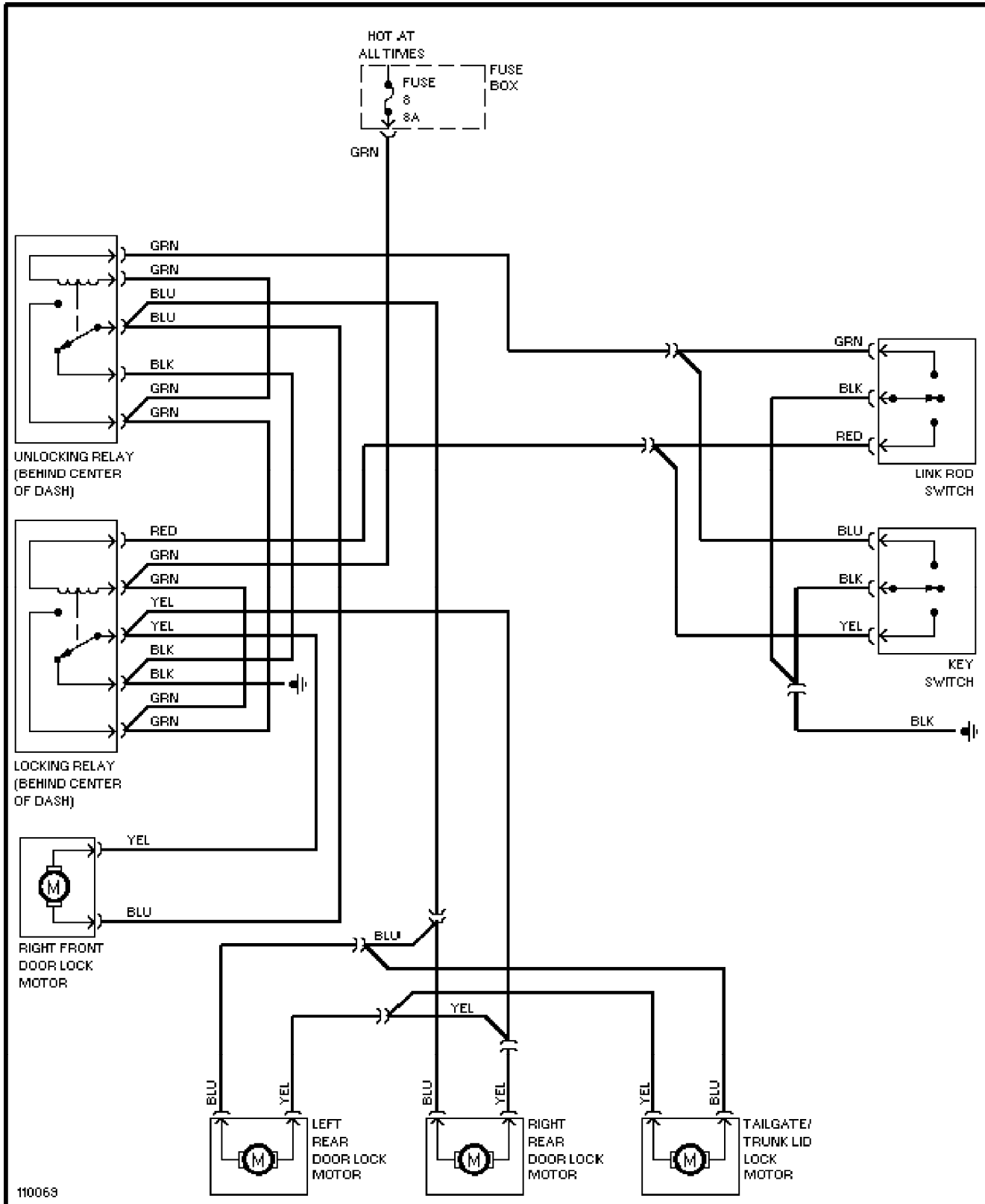
SYSTEM WIRING DIAGRAMS
Rear Defogger Circuit
1985 Volvo 240DL/GL



SYSTEM WIRING DIAGRAMS

Power Door Lock Circuit

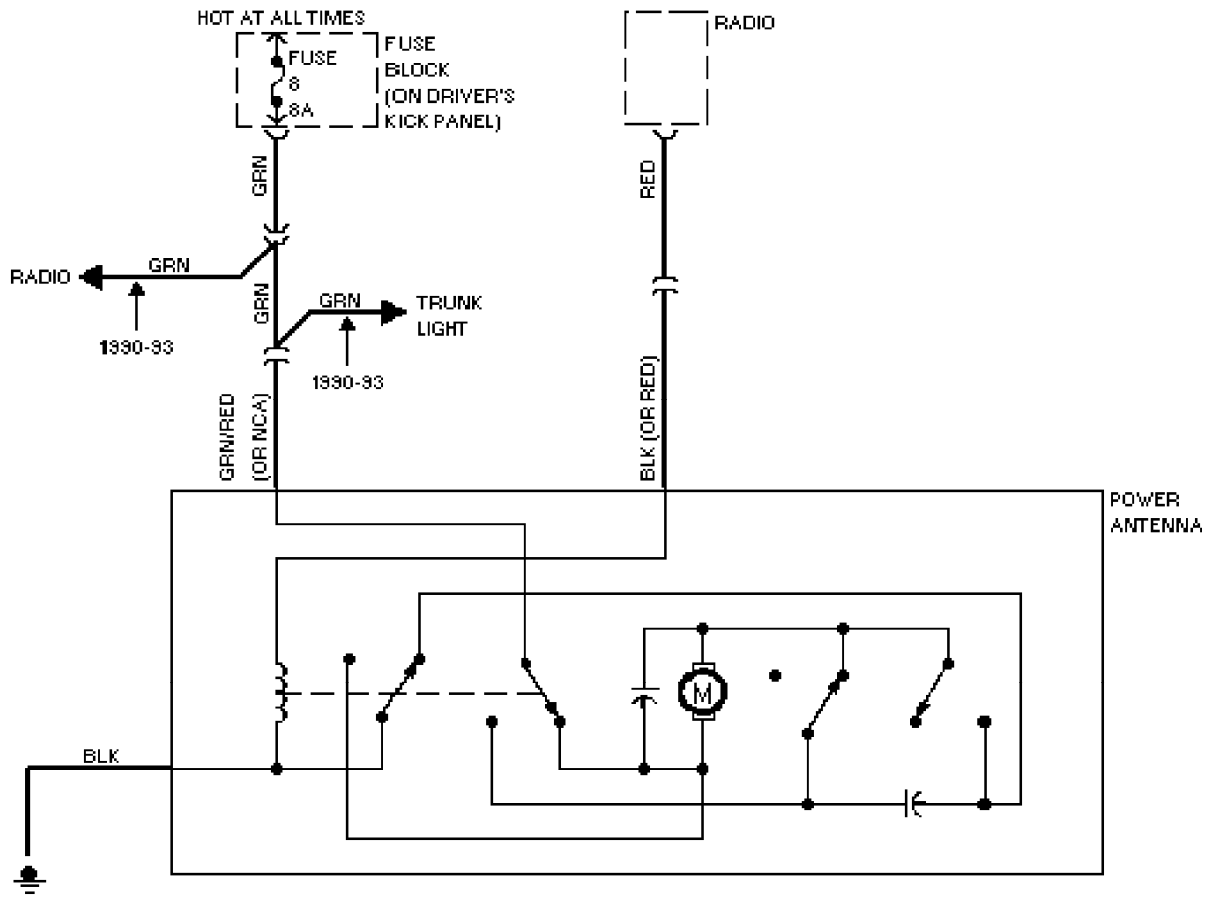
1985 Volvo 240DL/GL



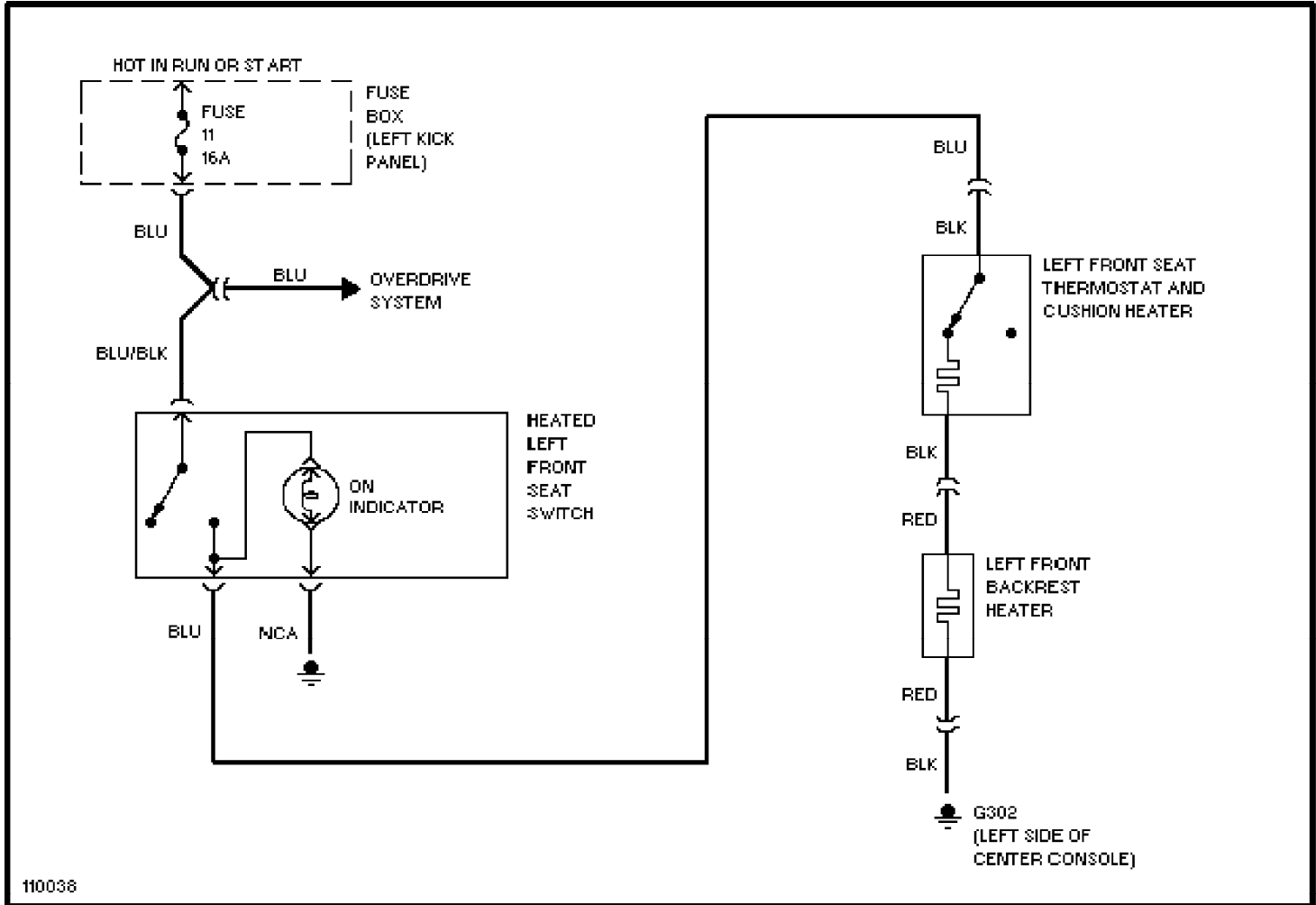
SYSTEM WIRING DIAGRAMS

Power Antenna Circuit

1985 Volvo 240DL/GL



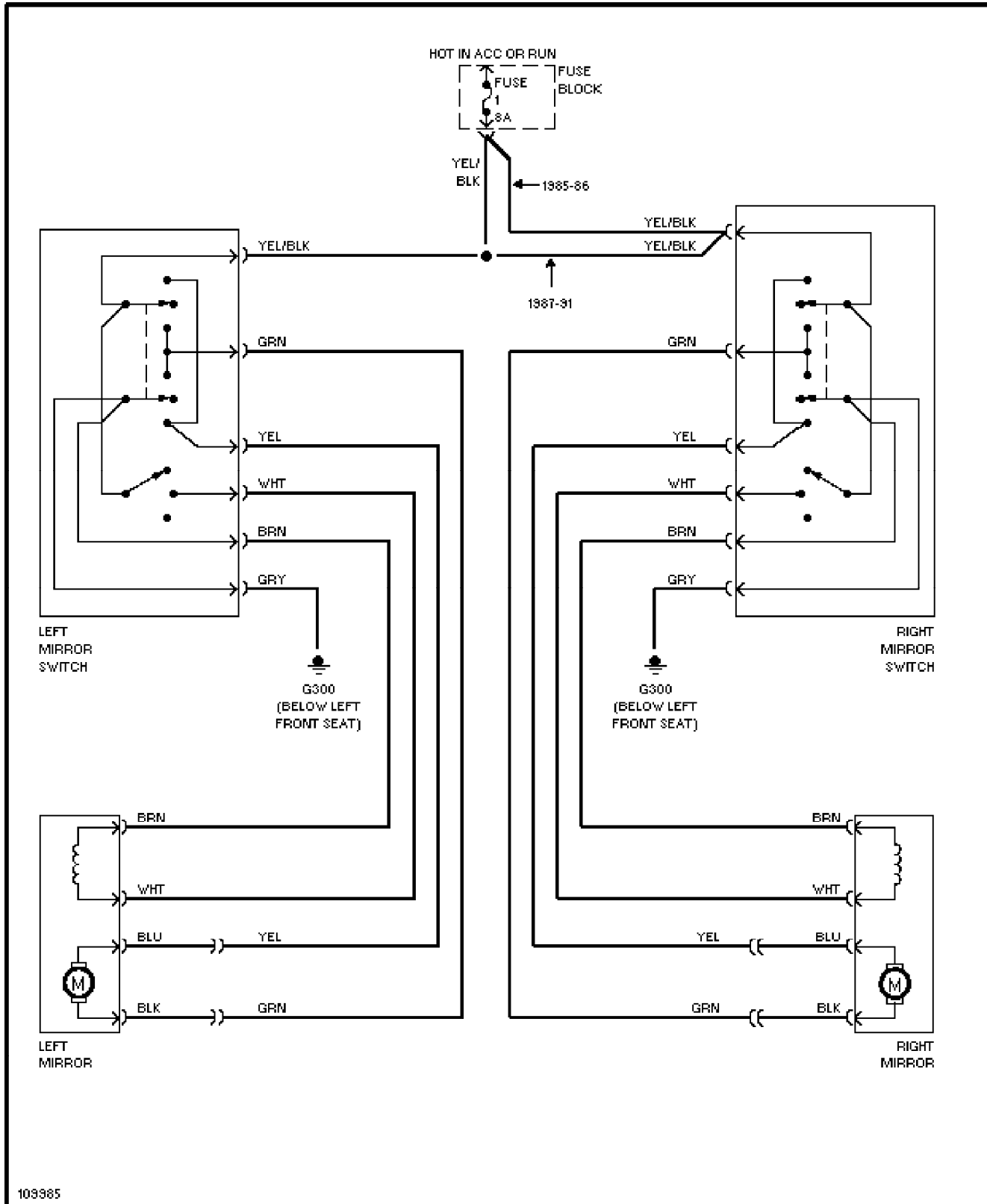
SYSTEM WIRING DIAGRAMS
Driver's Heated Seat Circuit
1985 Volvo 240DL/GL



SYSTEM WIRING DIAGRAMS

Power Mirror Circuit

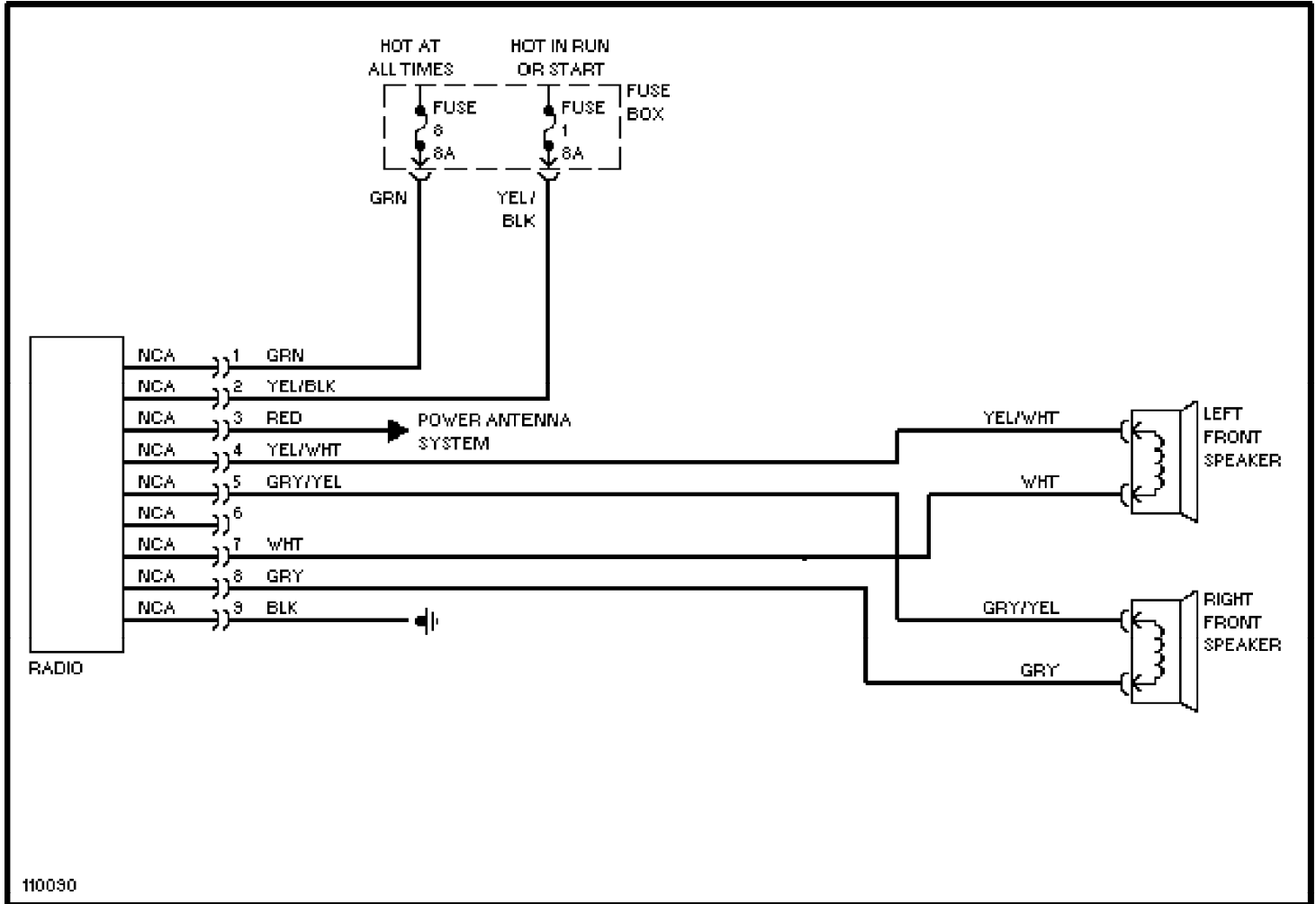
1985 Volvo 240DL/GL



SYSTEM WIRING DIAGRAMS

Radio Circuits

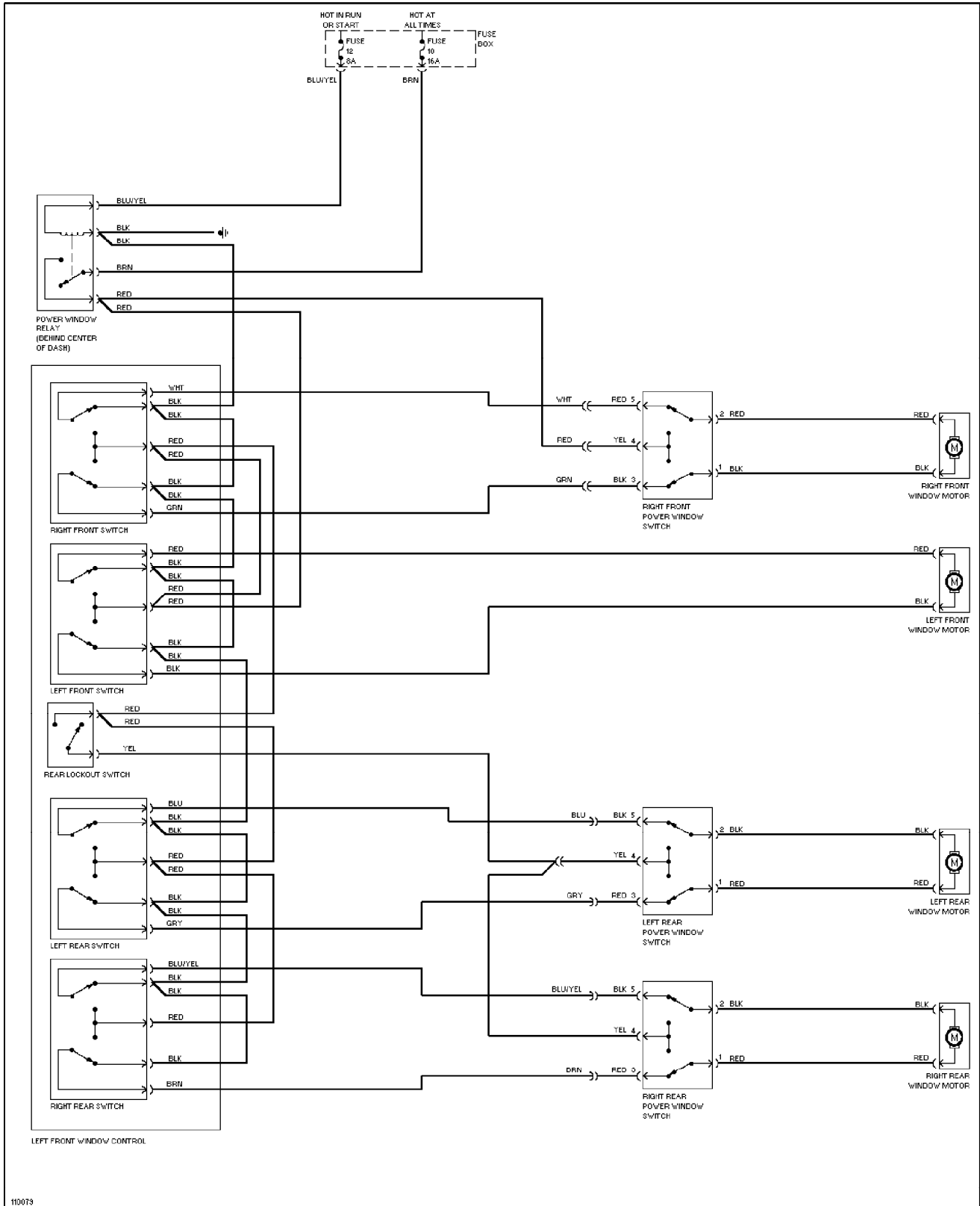
1985 Volvo 240DL/GL



SYSTEM WIRING DIAGRAMS

Power Window Circuit

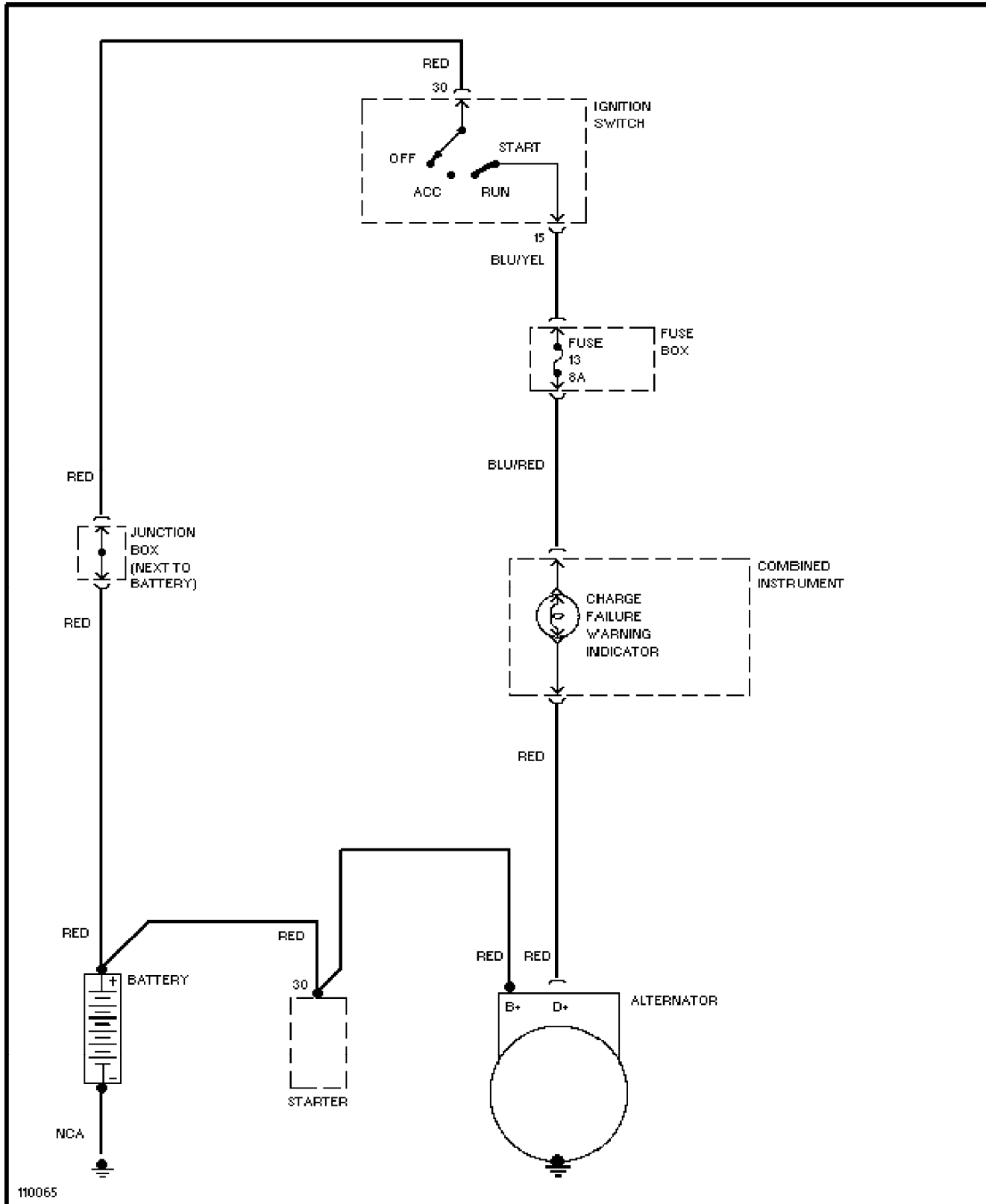
1985 Volvo 240DL/GL



SYSTEM WIRING DIAGRAMS

Charging Circuit

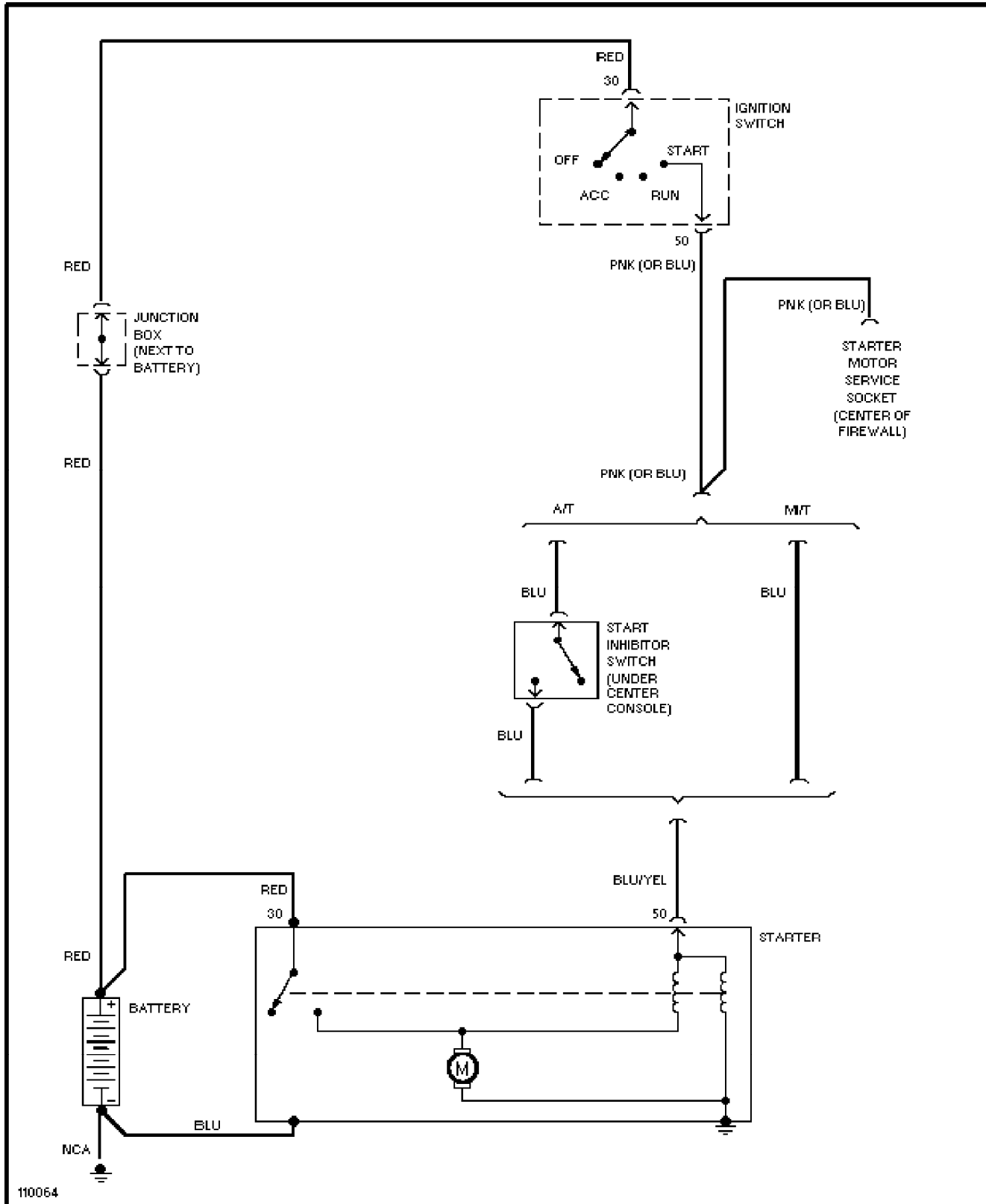
1985 Volvo 240DL/GL



SYSTEM WIRING DIAGRAMS

Starting Circuit

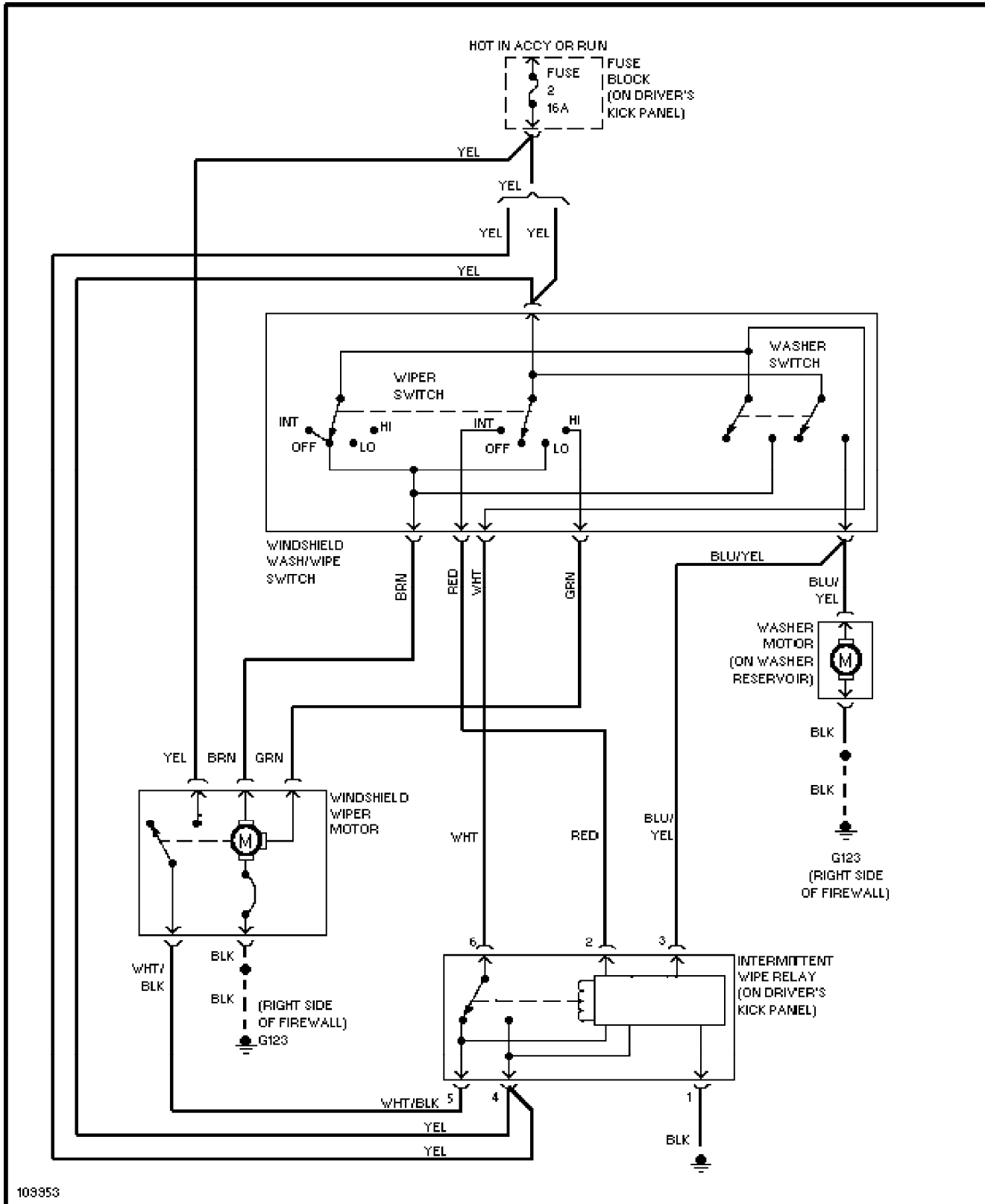
1985 Volvo 240DL/GL



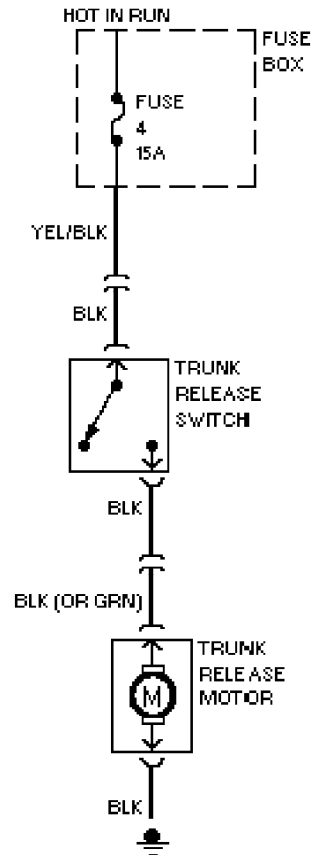
SYSTEM WIRING DIAGRAMS

Front Washer/Wiper Circuit

1985 Volvo 240DL/GL



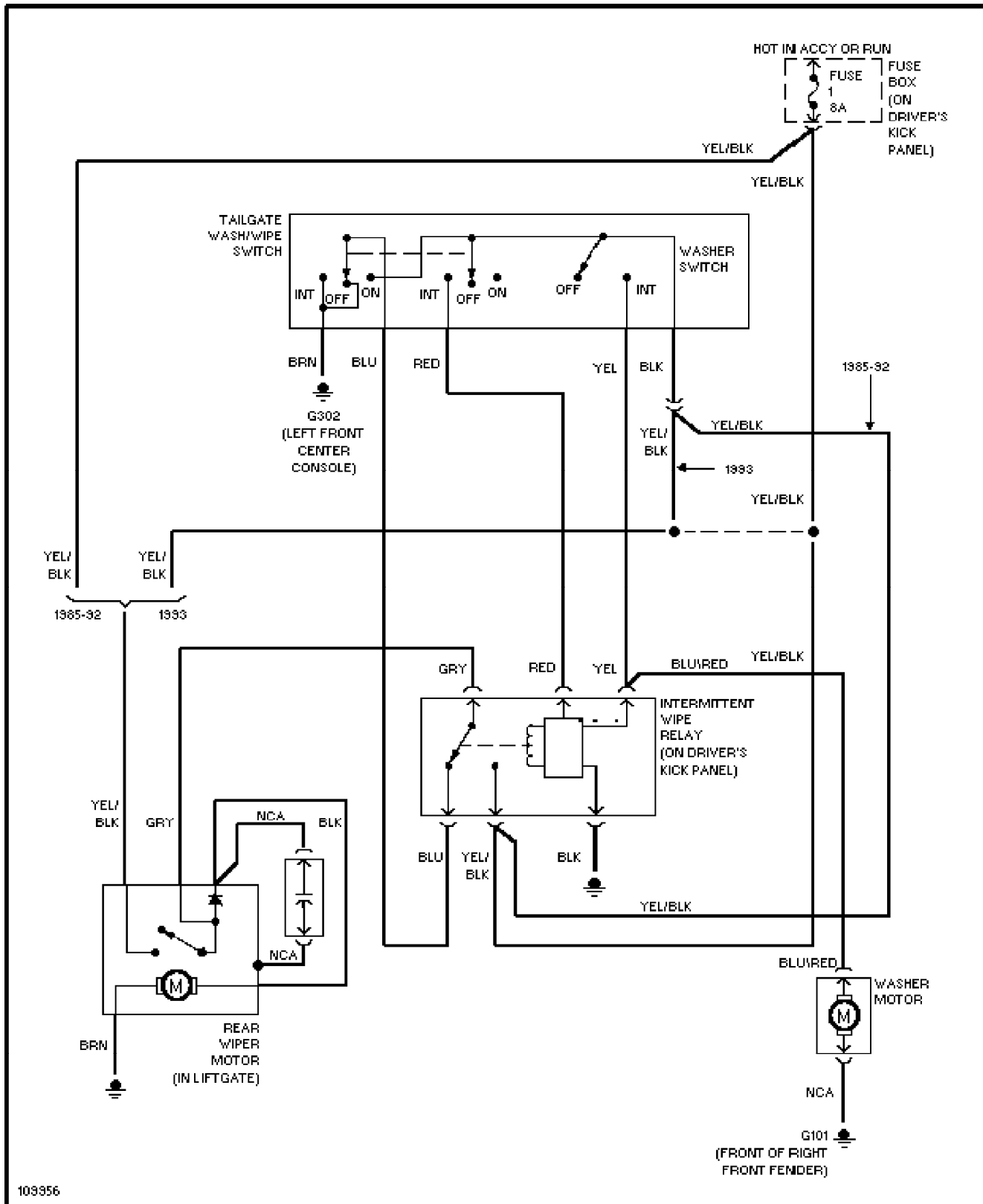
SYSTEM WIRING DIAGRAMS
Trunk, Tailgate, Fuel Door Circuits
1985 Volvo 240DL/GL



SYSTEM WIRING DIAGRAMS

Rear Washer/Wiper W/ Intermittent Relay Circuit

1985 Volvo 240DL/GL



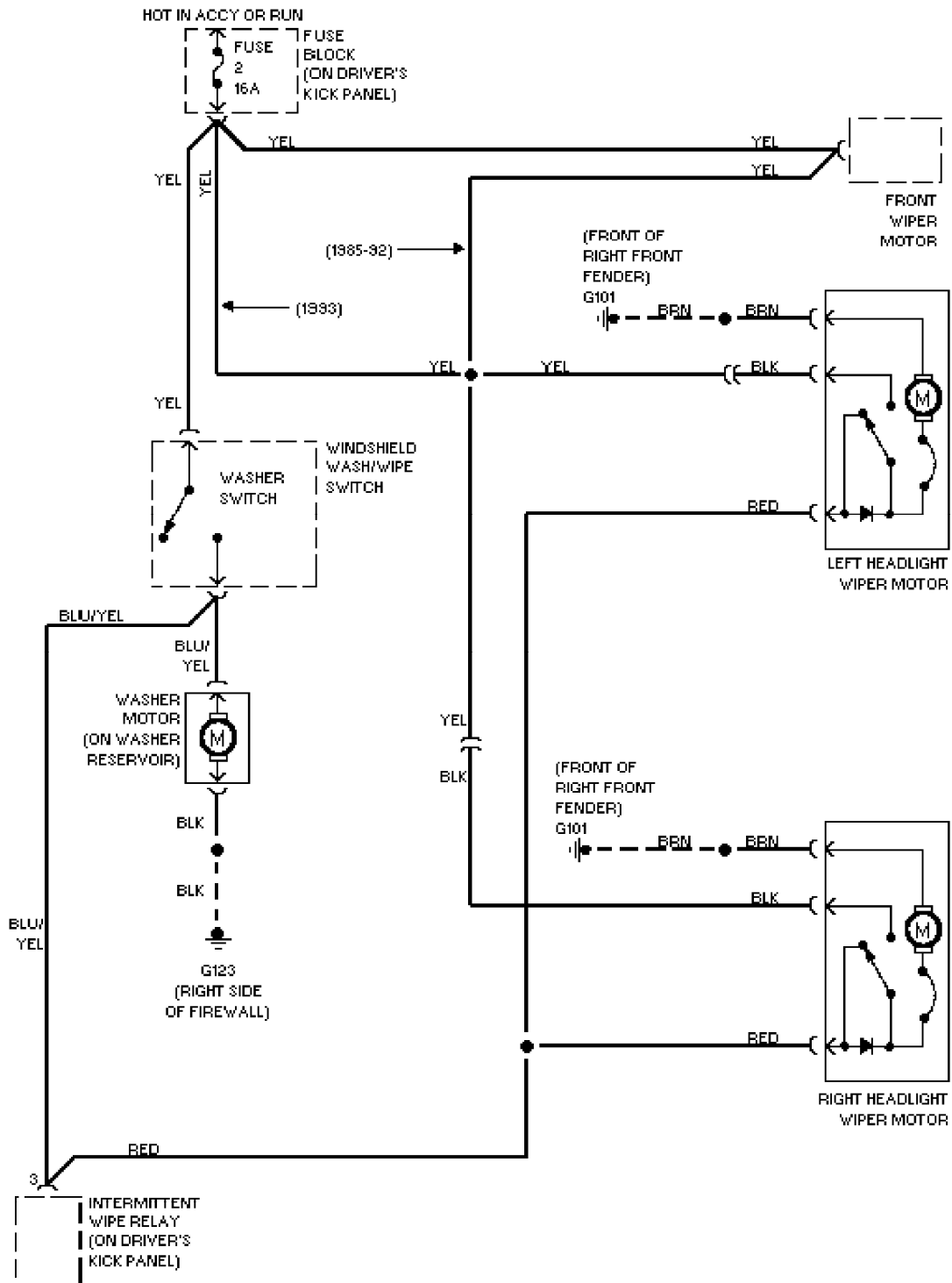
SYSTEM WIRING DIAGRAMS

Headlight Washer/Wiper Circuit

1985 Volvo 240DL/GL

For x

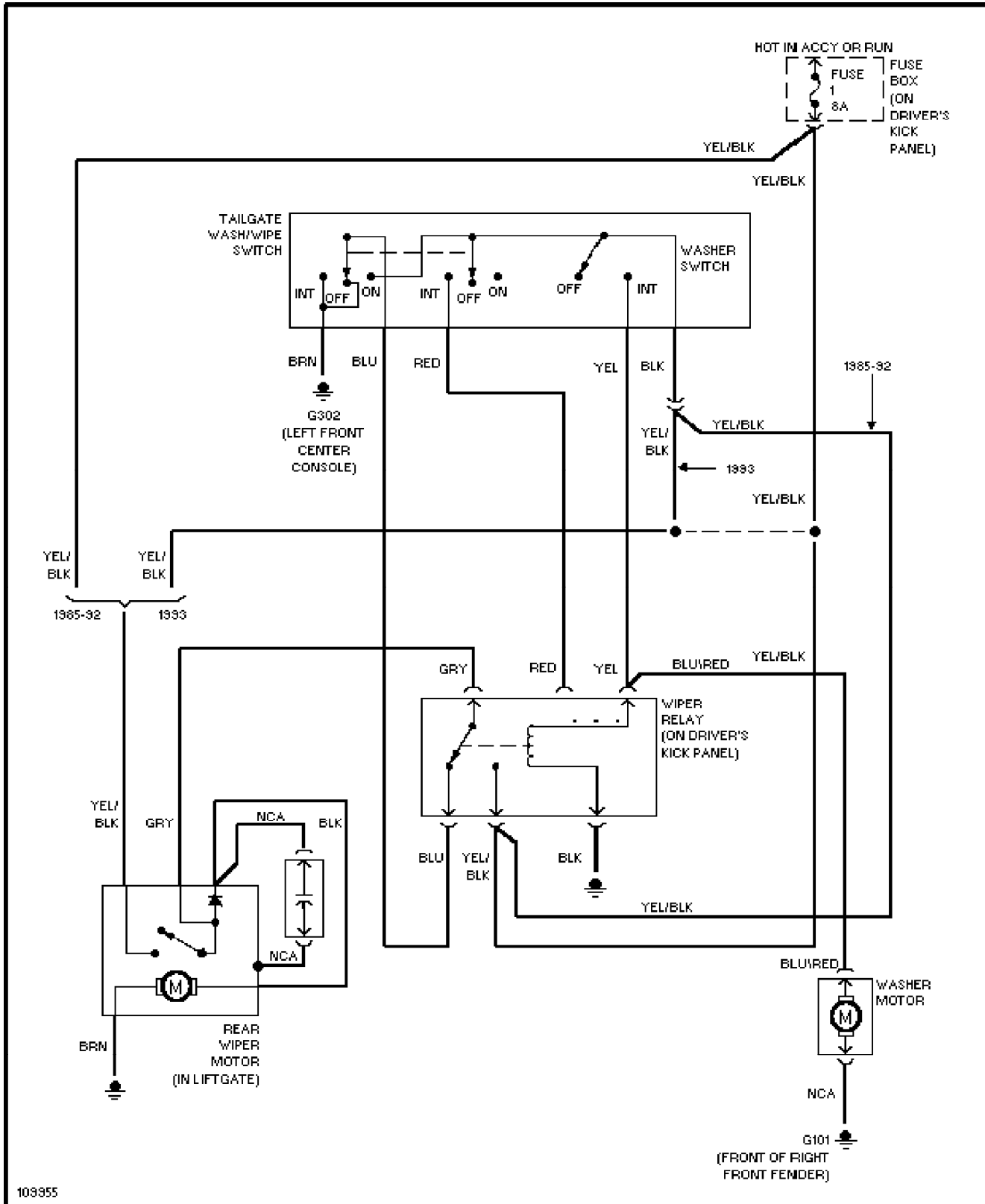
Copyright © 1998 Mitchell Repair Information Company, LLC
Saturday, July 17, 2004 04:41PM



SYSTEM WIRING DIAGRAMS

Rear Washer/Wiper W/O Intermittent Relay Circuit

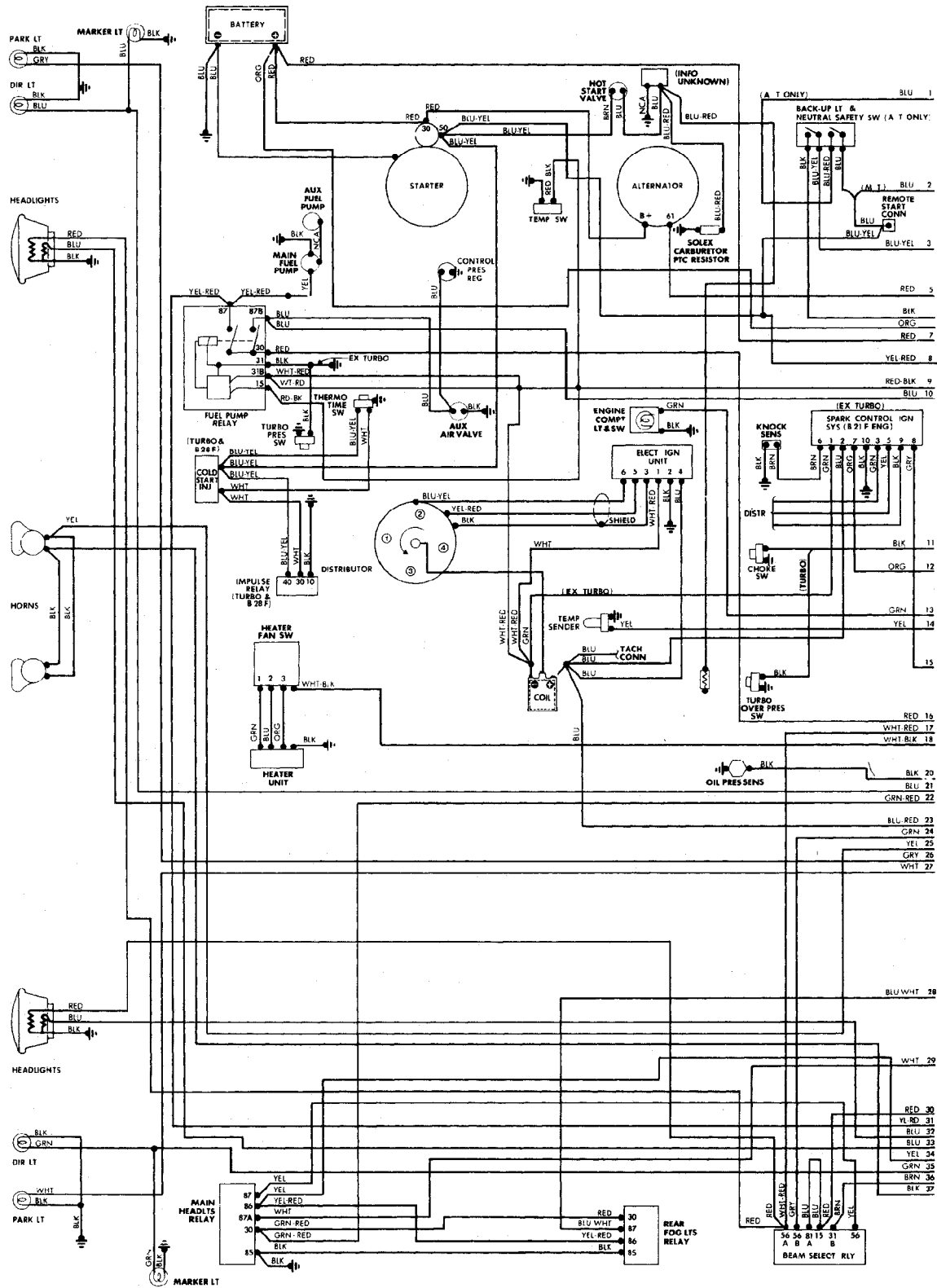
1985 Volvo 240DL/GL



WIRING DIAGRAMS

Fig. 1: Engine Compartment

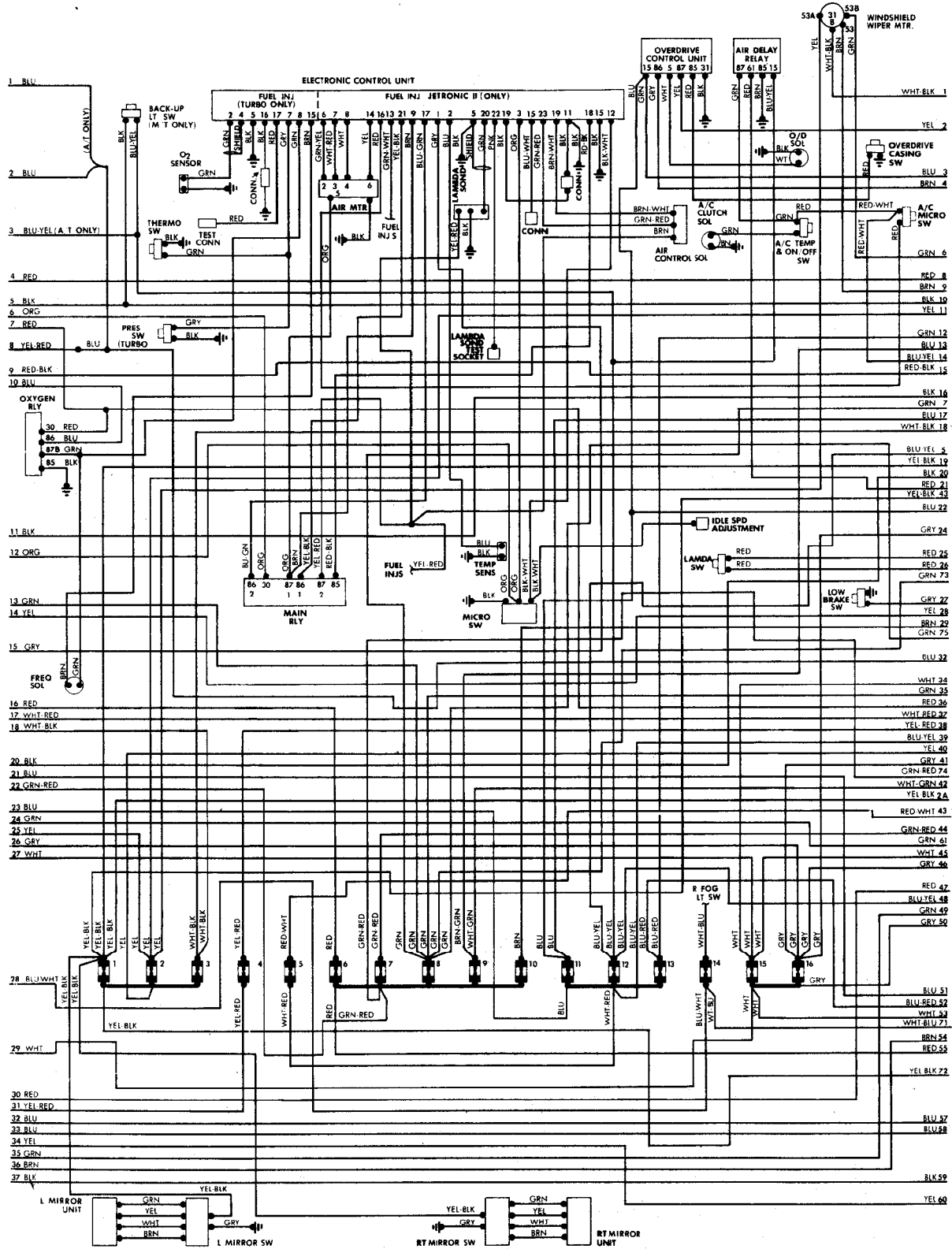
1985 Volvo 240DL/GL



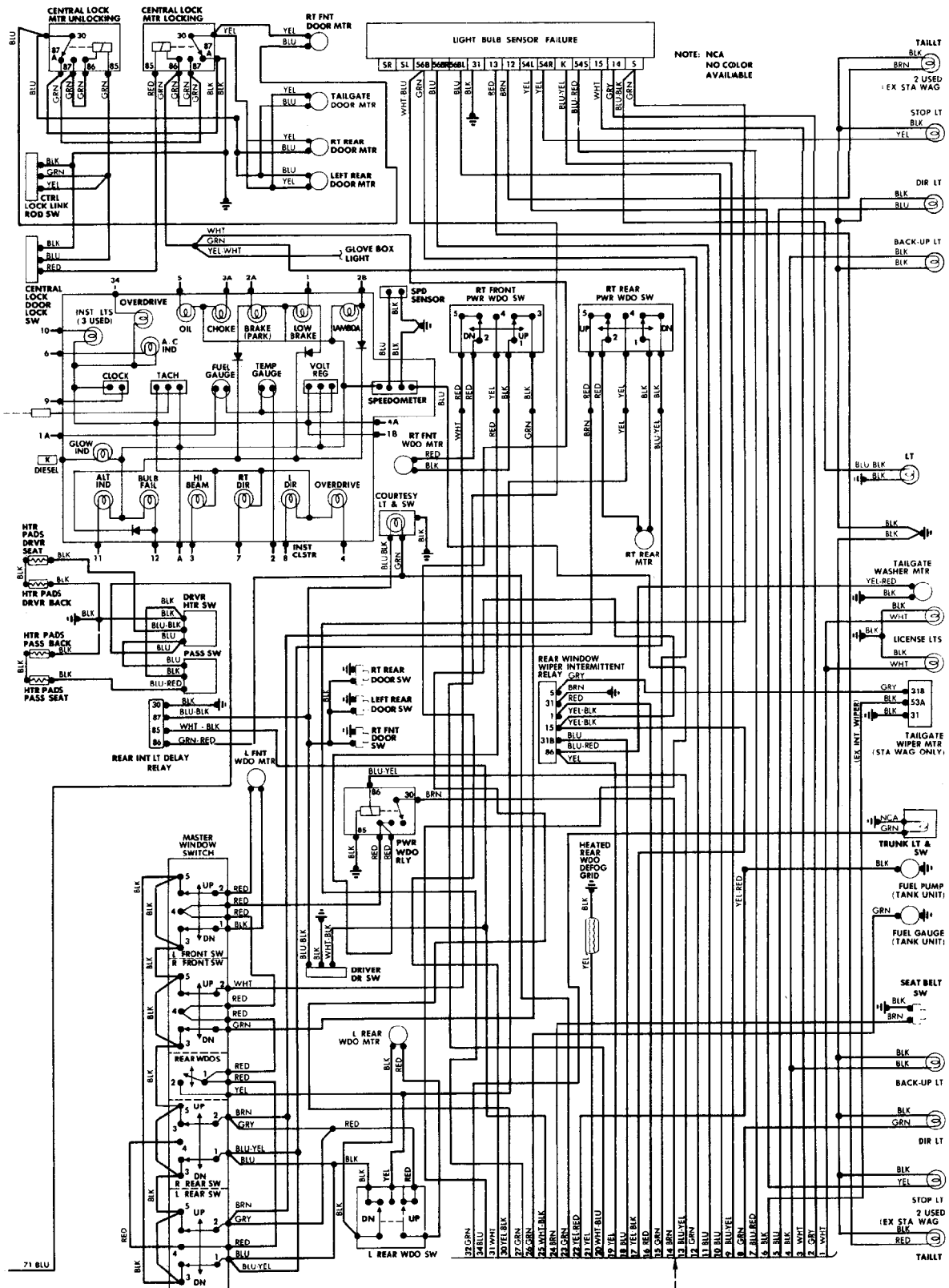
WIRING DIAGRAMS

Fig. 2: Fuse Block & Underdash

1985 Volvo 240DL/GL



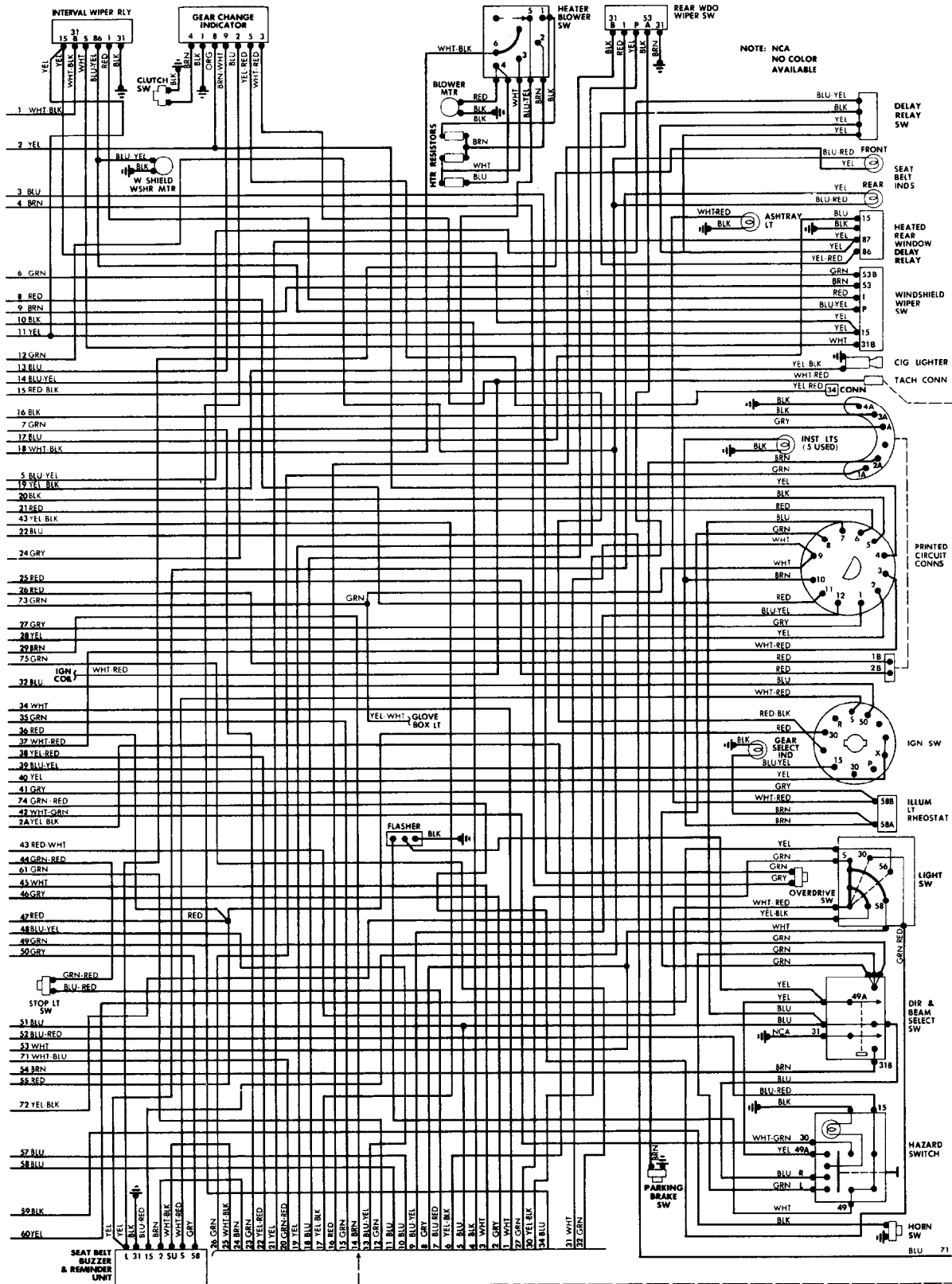
WIRING DIAGRAMS
Fig. 4: Rear Compartment & Accessories
 1985 Volvo 240DL/GL



WIRING DIAGRAMS

Fig. 3: Instrument Panel & Underdash

1985 Volvo 240DL/GL



WIRING DIAGRAMS
Fig. 5: Cruise Control Wiring Diagram
 1985 Volvo 240DL/GL

- A Control unit
- B Pick-up, (speed sensor)
- C Servo unit
- D Retardation breaker
- E Switch, clutch pedal
- F Switch, brake pedal
- G Fusebox
- H Speed control
- I Fuse
- J Ignition switch
- K Bulb failure sensor
- L Ignition switch

Fuse No. 1

Cigar lighter

Fuse No. 6

Brake lights

