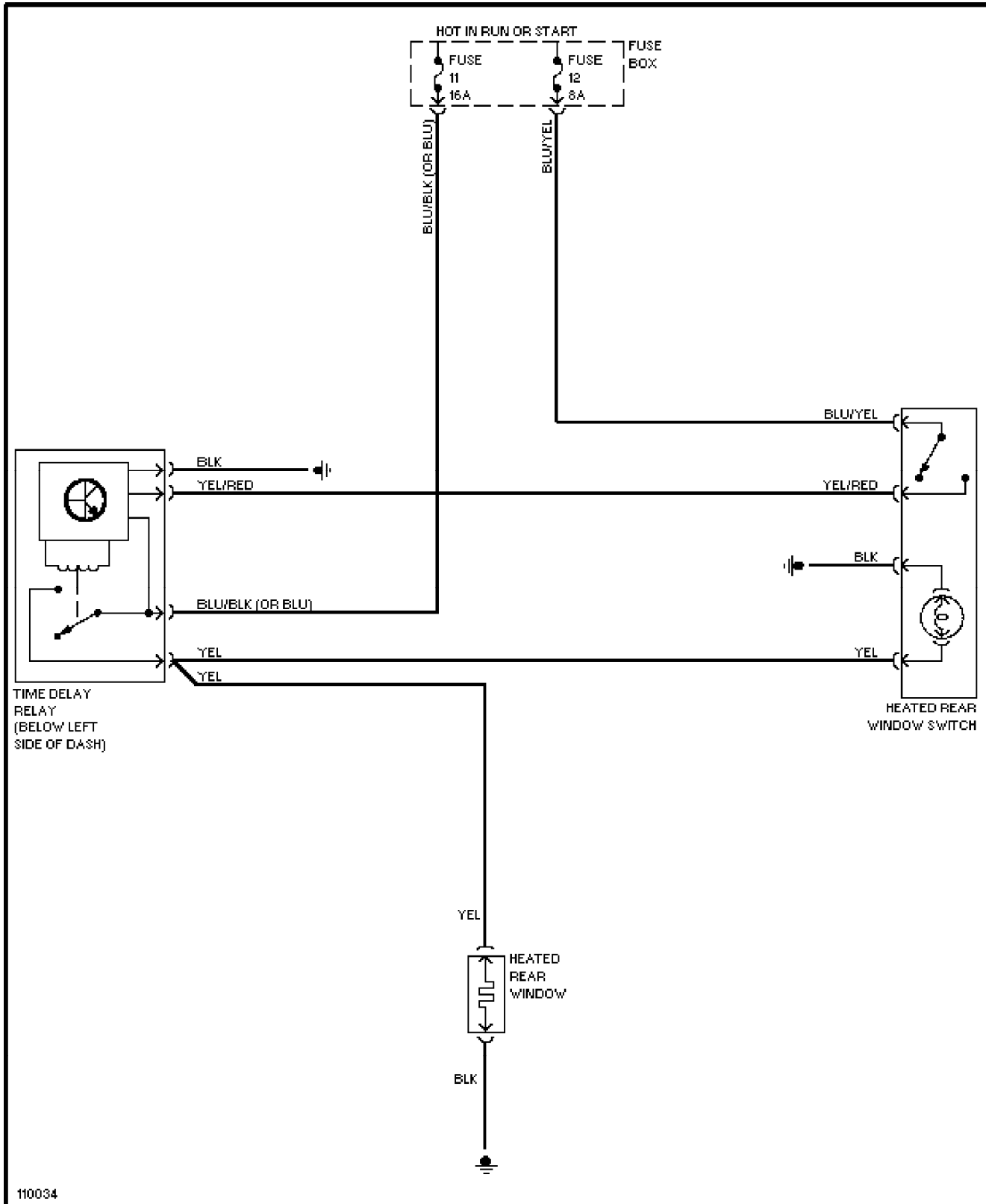


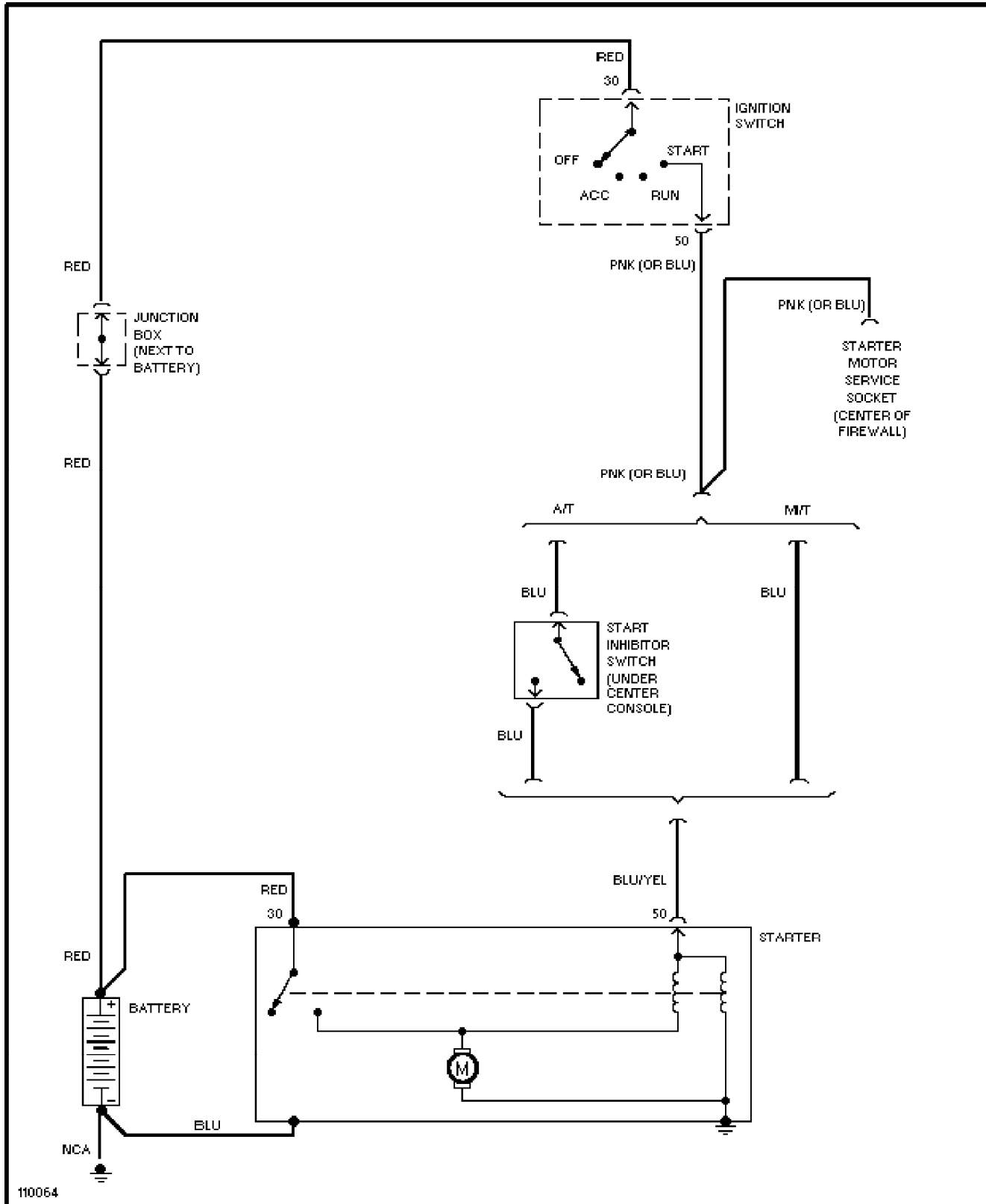
**SYSTEM WIRING DIAGRAMS**  
**Rear Defogger Circuit**  
1986 Volvo 240DL/GL



# SYSTEM WIRING DIAGRAMS

## Starting Circuit

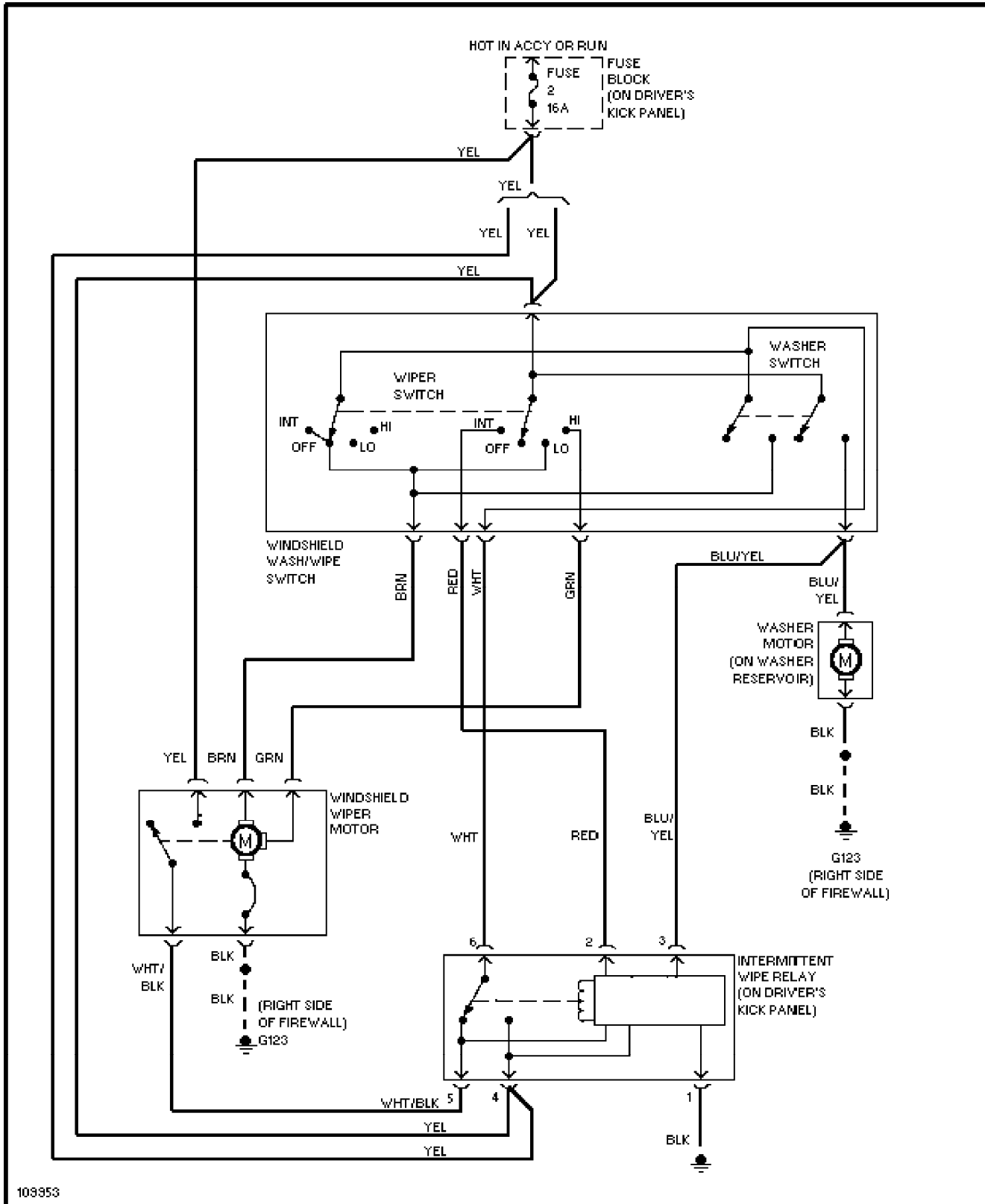
1986 Volvo 240DL/GL



# SYSTEM WIRING DIAGRAMS

## Front Washer/Wiper Circuit

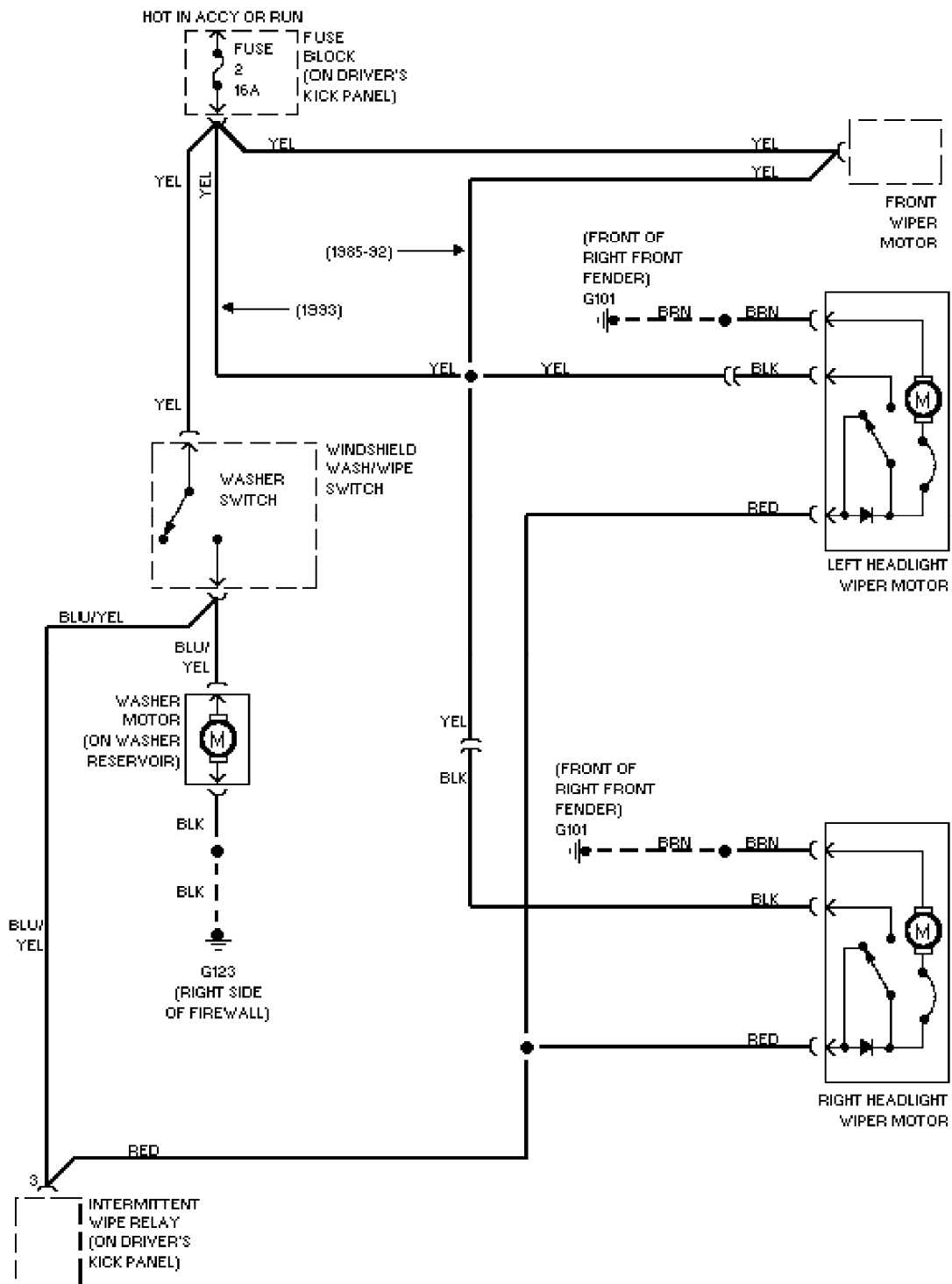
1986 Volvo 240DL/GL



# SYSTEM WIRING DIAGRAMS

## Headlight Washer/Wiper Circuit

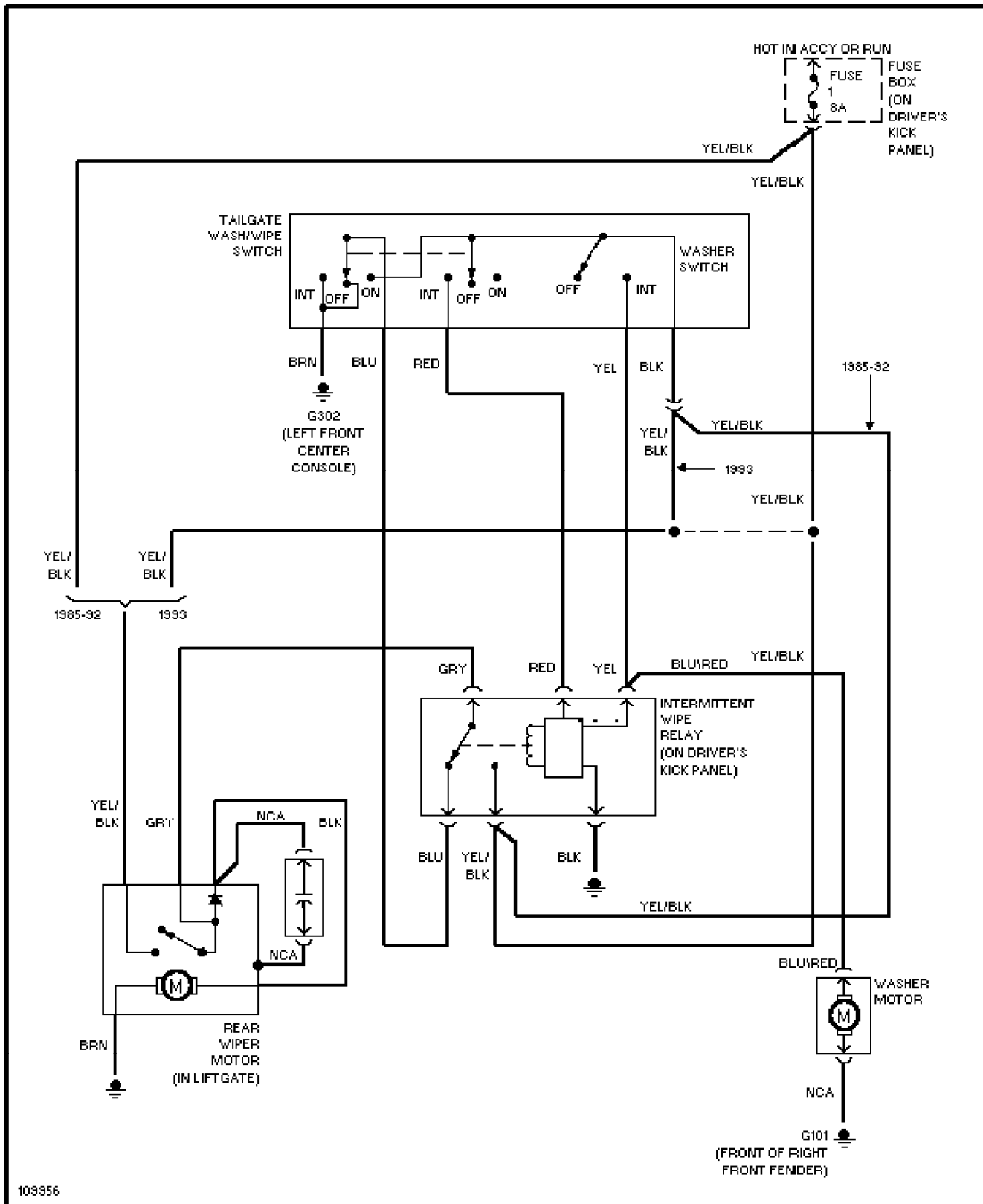
1986 Volvo 240DL/GL



# SYSTEM WIRING DIAGRAMS

## Rear Washer/Wiper W/ Intermittent Relay Circuit

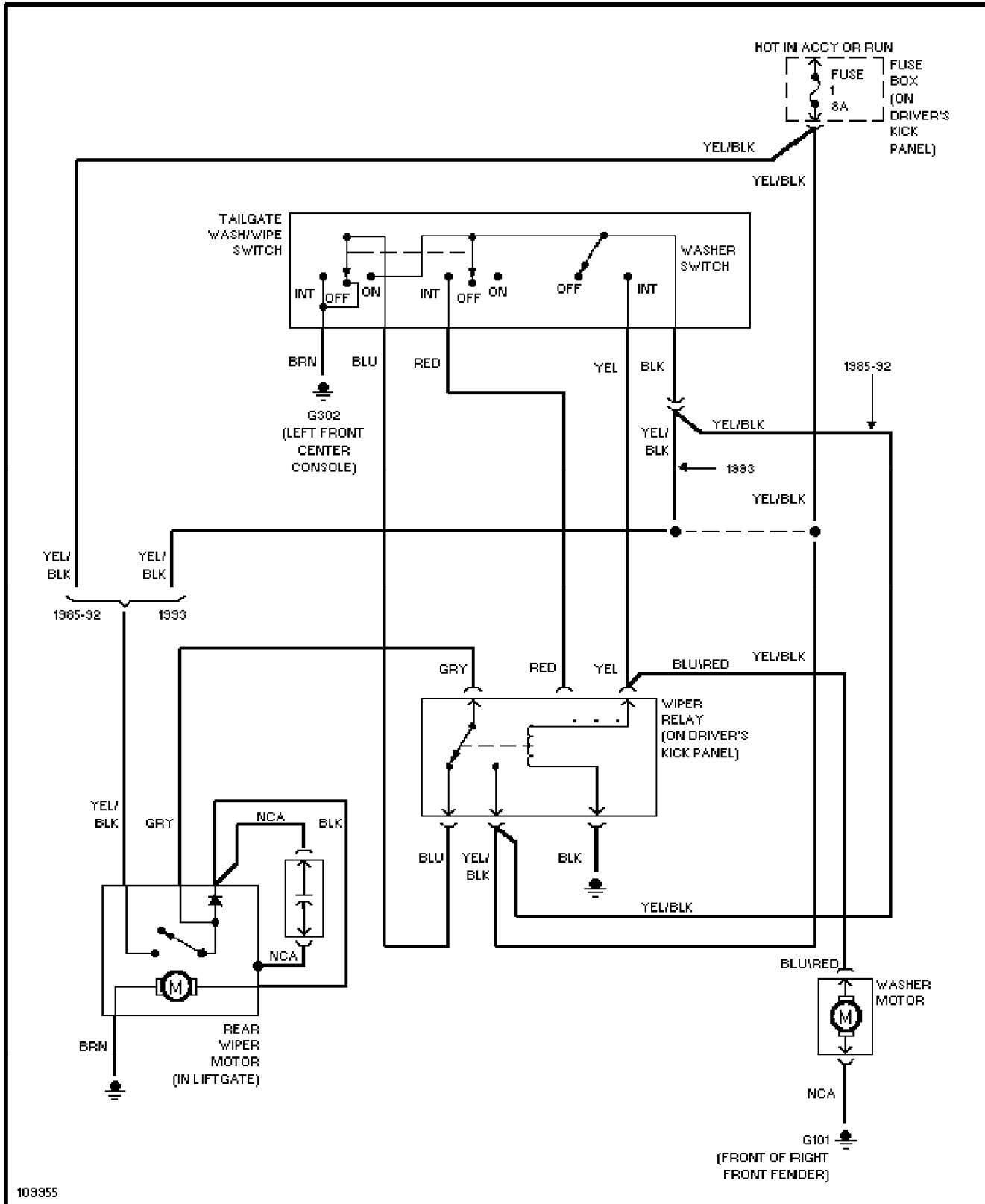
### 1986 Volvo 240DL/GL



# SYSTEM WIRING DIAGRAMS

## Rear Washer/Wiper W/O Intermittent Relay Circuit

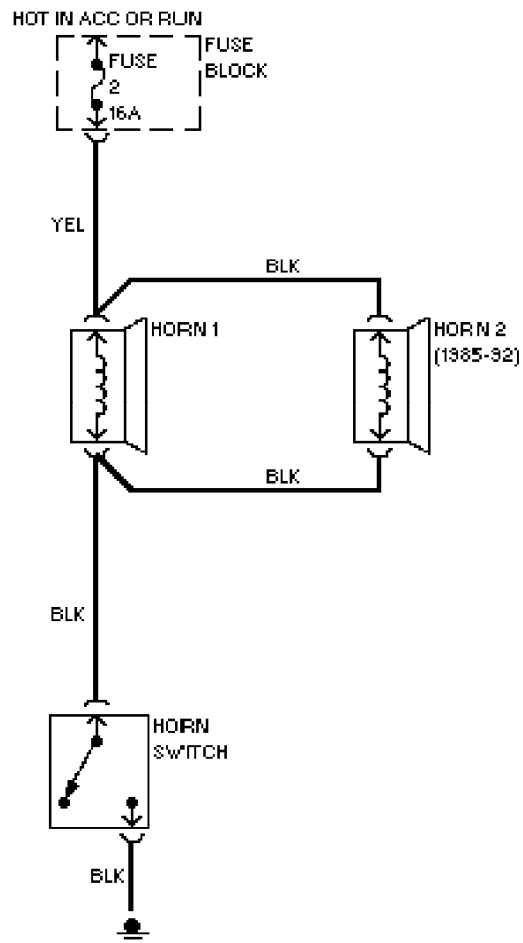
### 1986 Volvo 240DL/GL



# SYSTEM WIRING DIAGRAMS

## Horn Circuit

1986 Volvo 240DL/GL

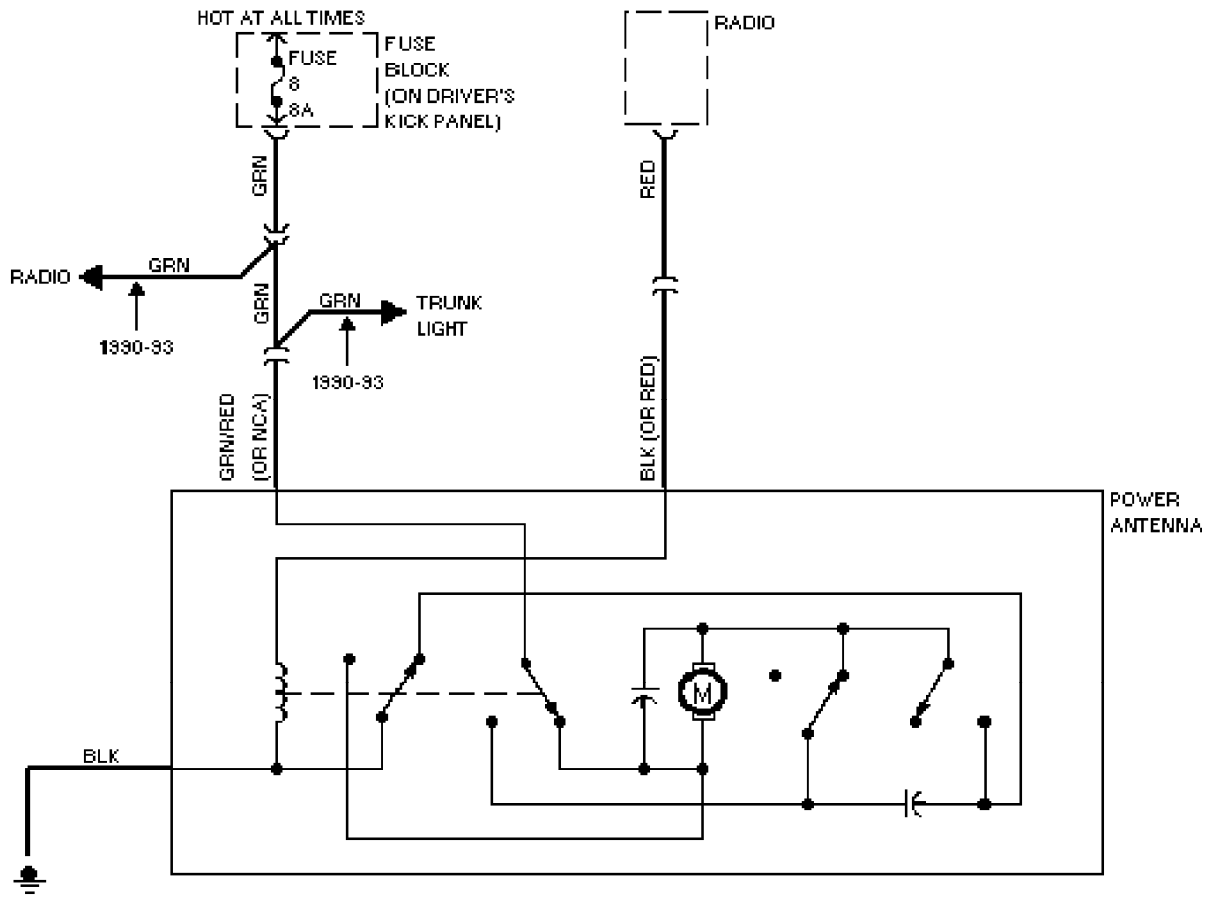


103960

# SYSTEM WIRING DIAGRAMS

## Power Antenna Circuit

1986 Volvo 240DL/GL

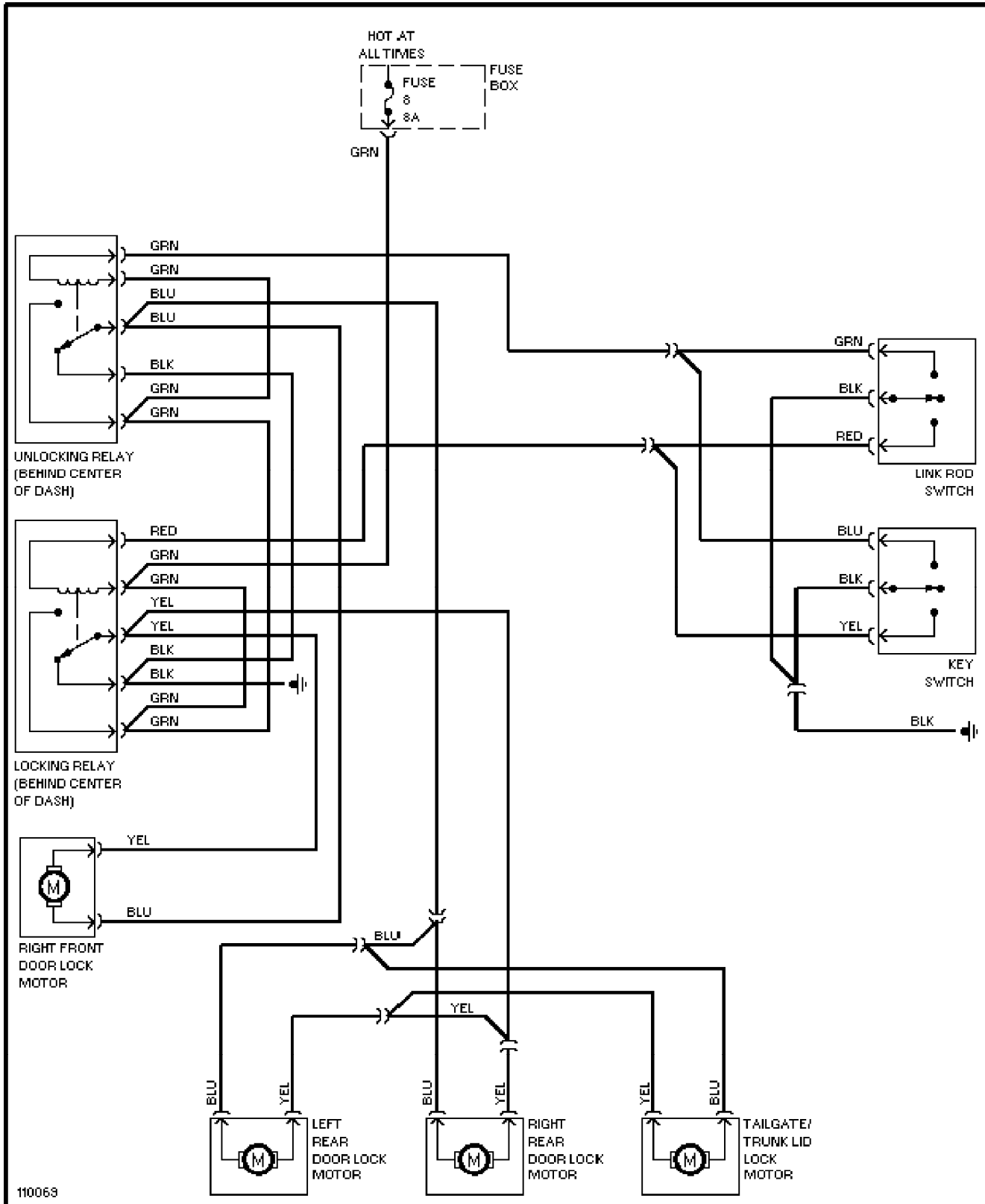




# SYSTEM WIRING DIAGRAMS

## Power Door Lock Circuit

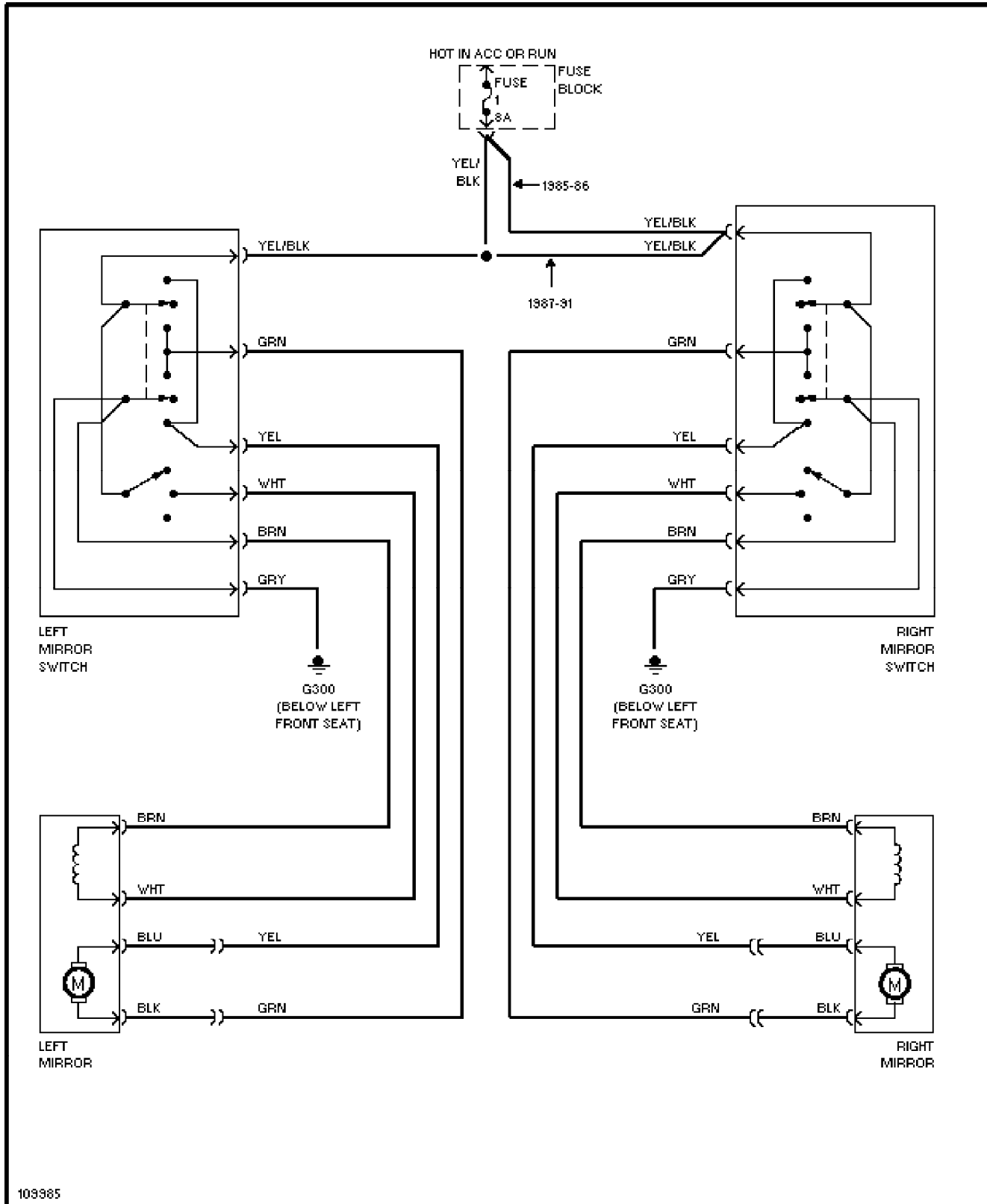
1986 Volvo 240DL/GL



# SYSTEM WIRING DIAGRAMS

## Power Mirror Circuit

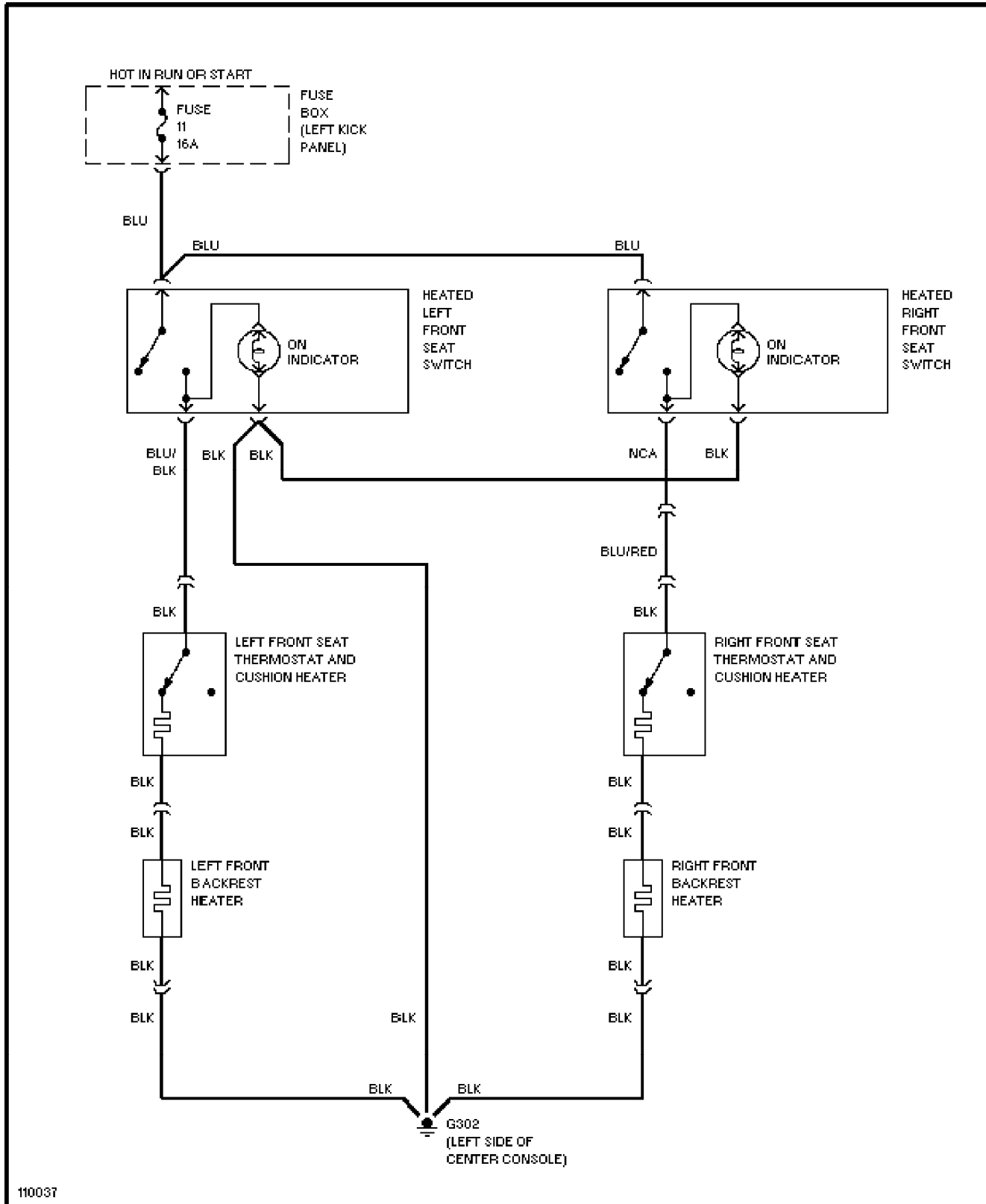
1986 Volvo 240DL/GL



# SYSTEM WIRING DIAGRAMS

## Heated Seats Circuit

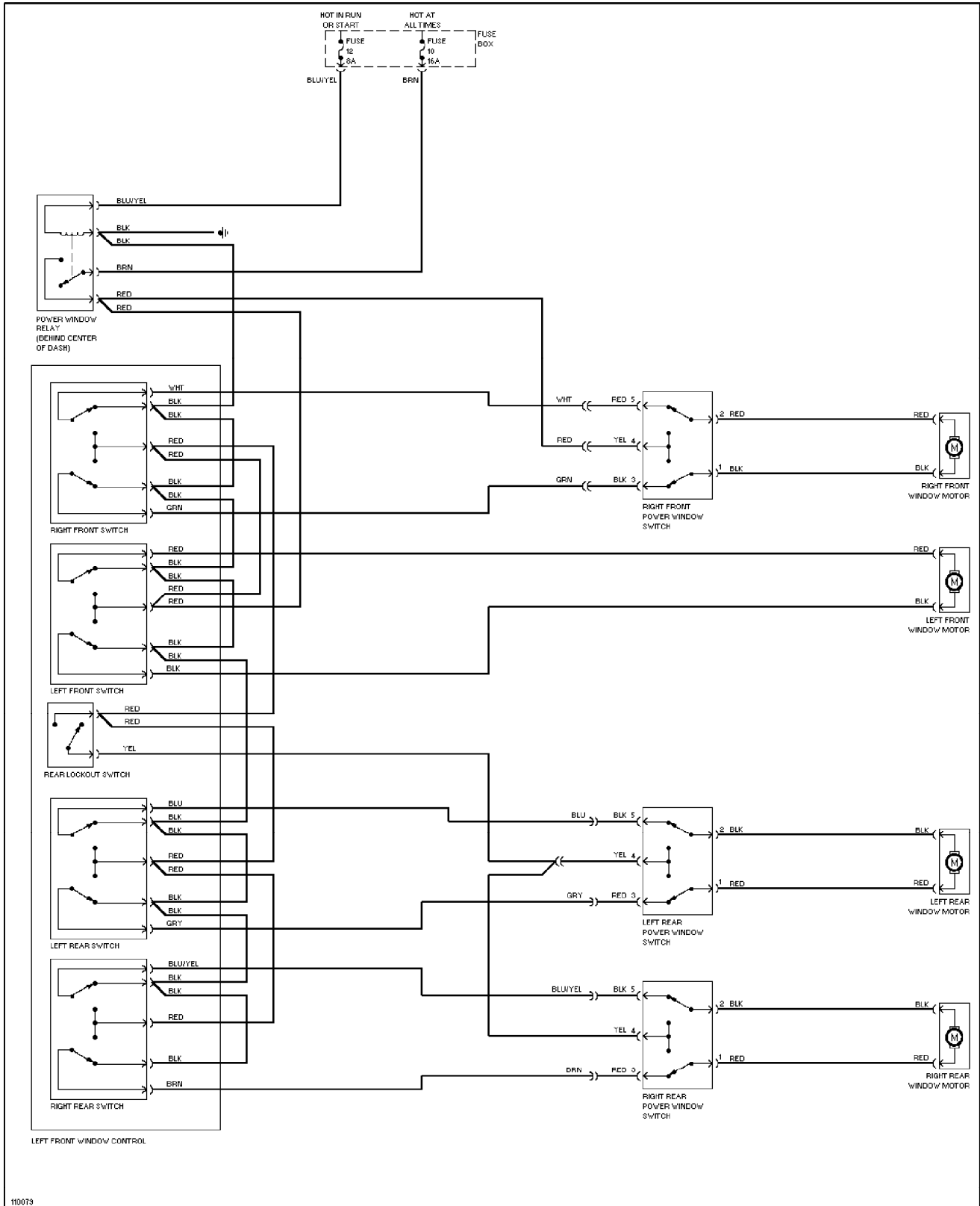
1986 Volvo 240DL/GL



# SYSTEM WIRING DIAGRAMS

## Power Window Circuit

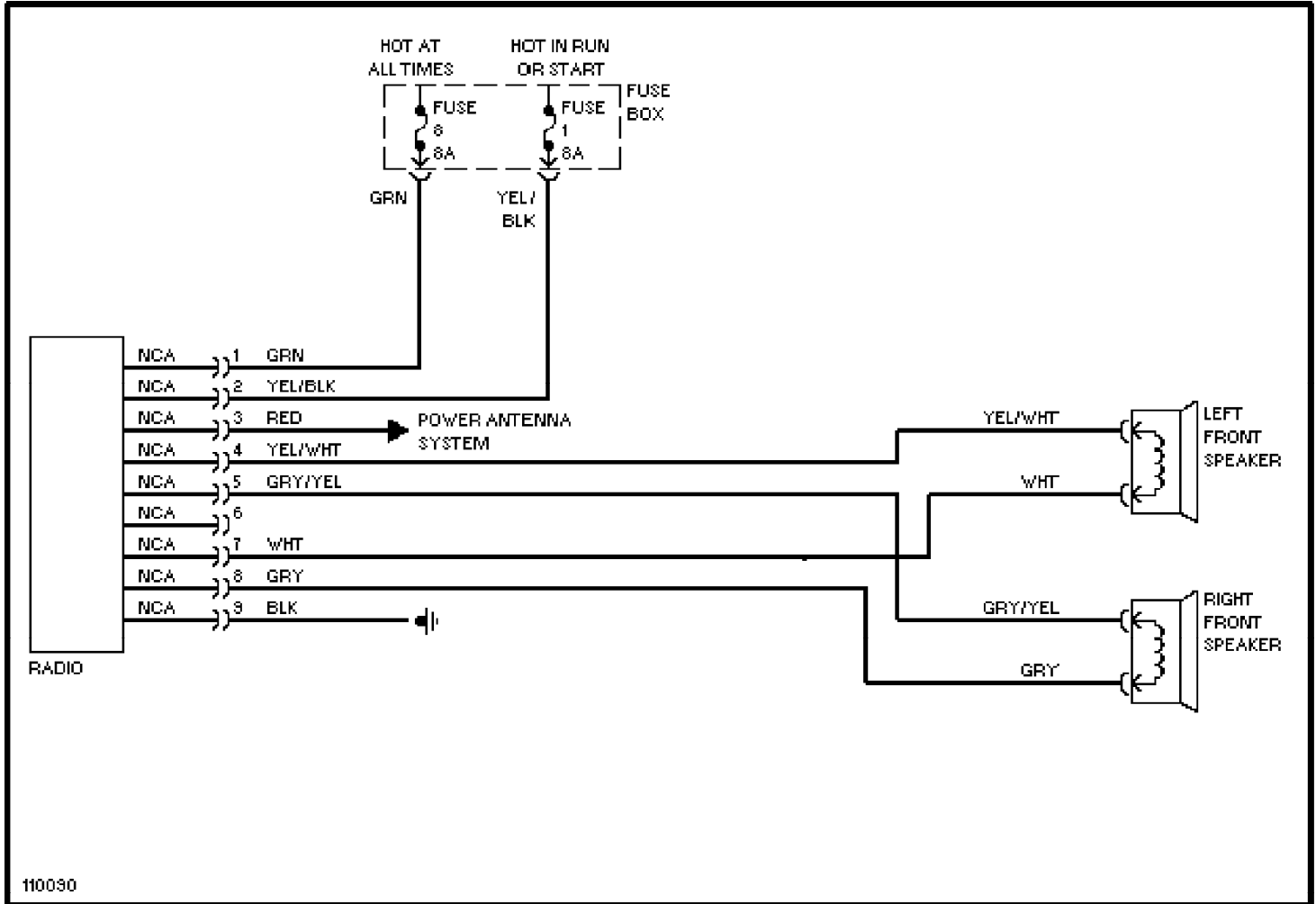
### 1986 Volvo 240DL/GL



# SYSTEM WIRING DIAGRAMS

## Radio Circuits

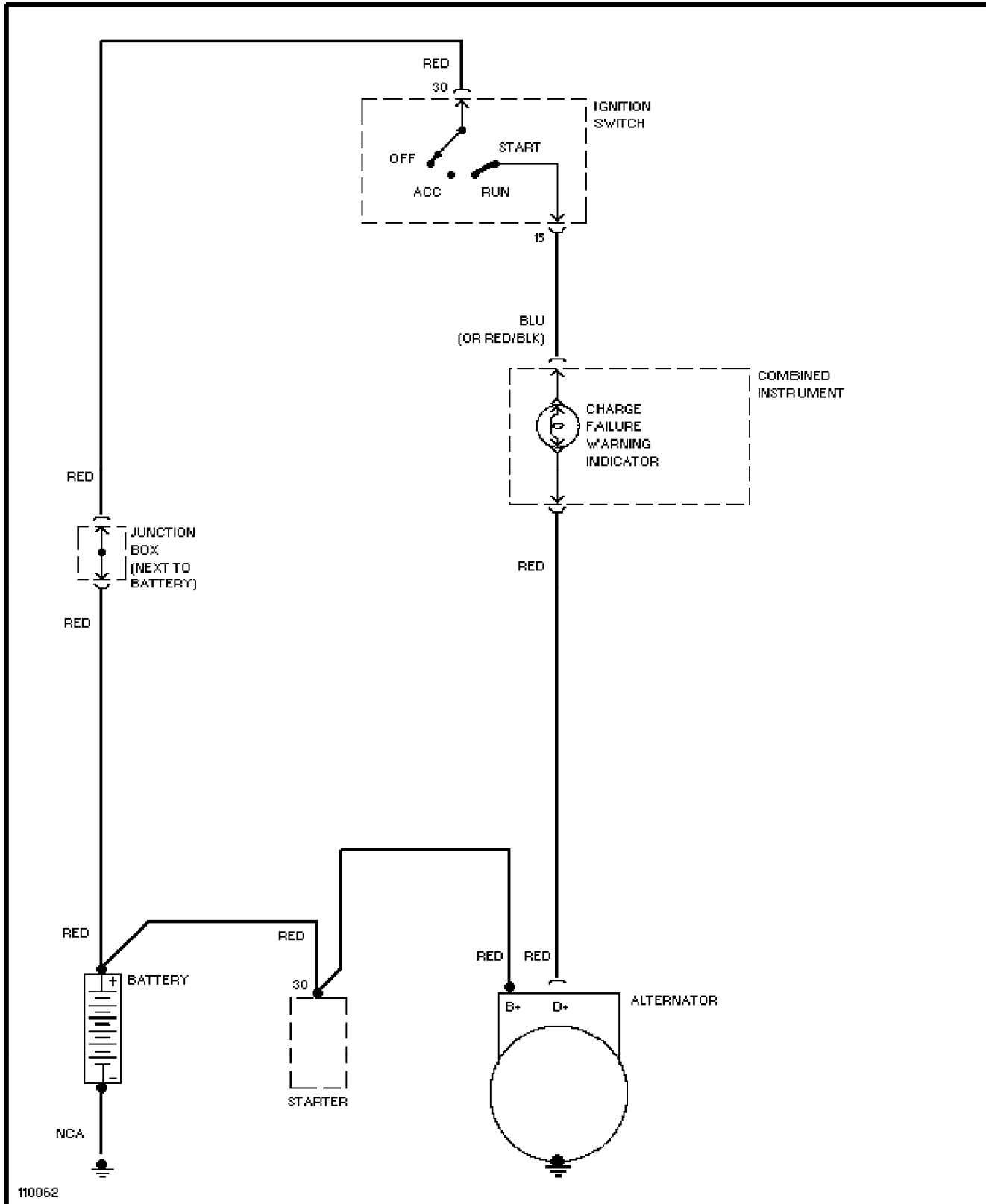
1986 Volvo 240DL/GL



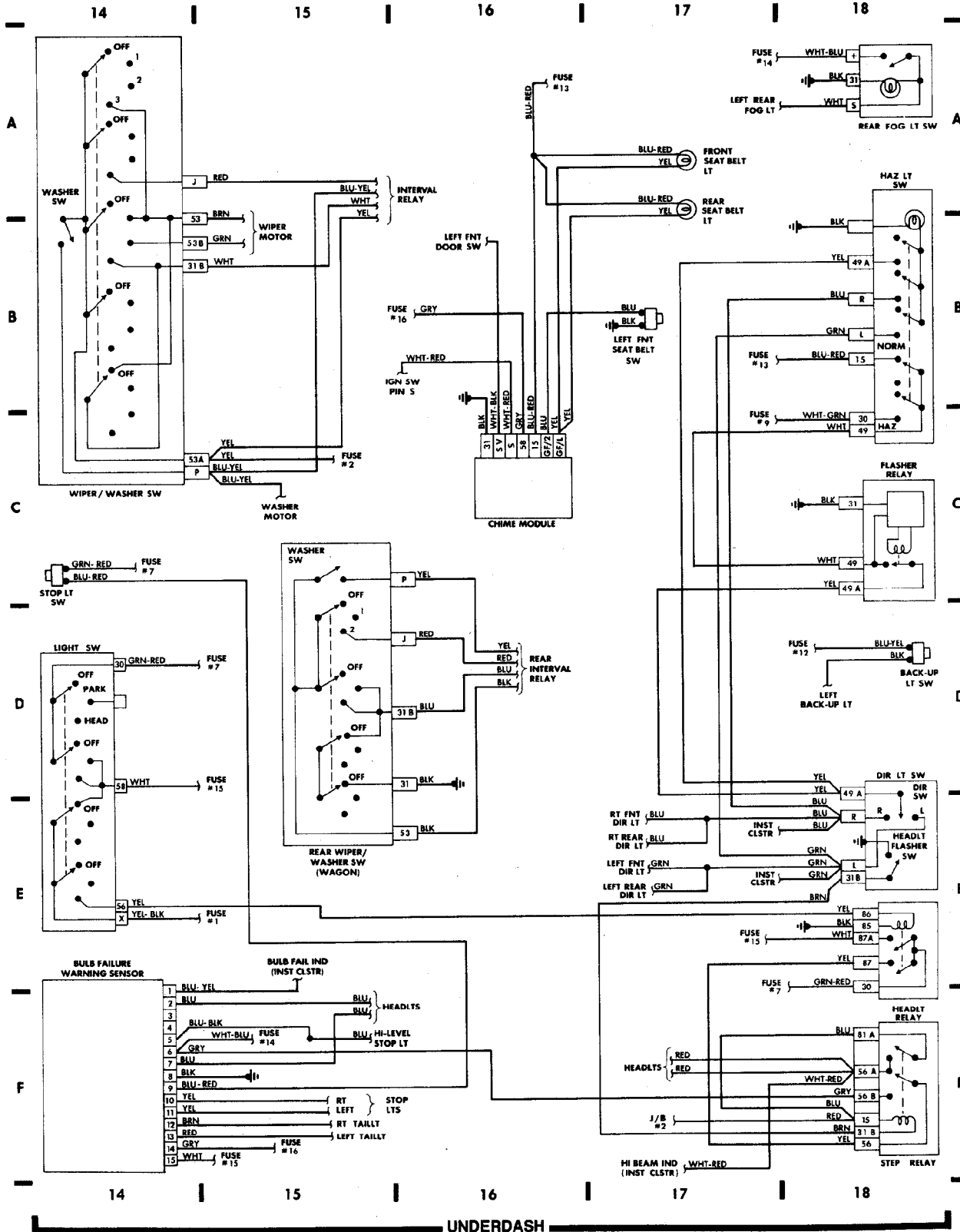
# SYSTEM WIRING DIAGRAMS

## Charging Circuit

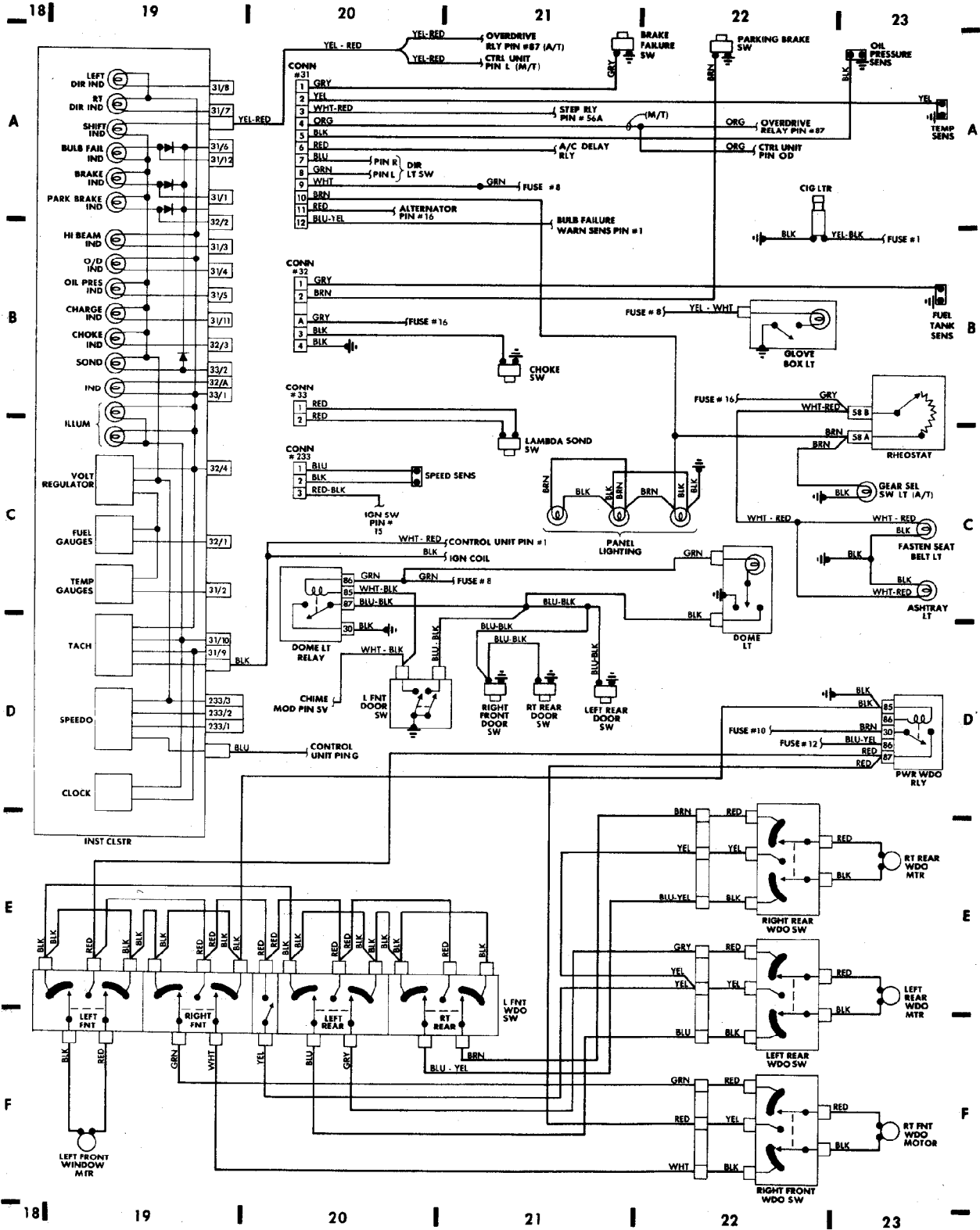
1986 Volvo 240DL/GL



**WIRING DIAGRAMS**  
**Fig. 4: Underdash (Grids 14-18)**  
 1986 Volvo 240DL/GL



**WIRING DIAGRAMS**  
**Fig. 5: Instrument Panel (Grids 18-23)**  
 1986 Volvo 240DL/GL

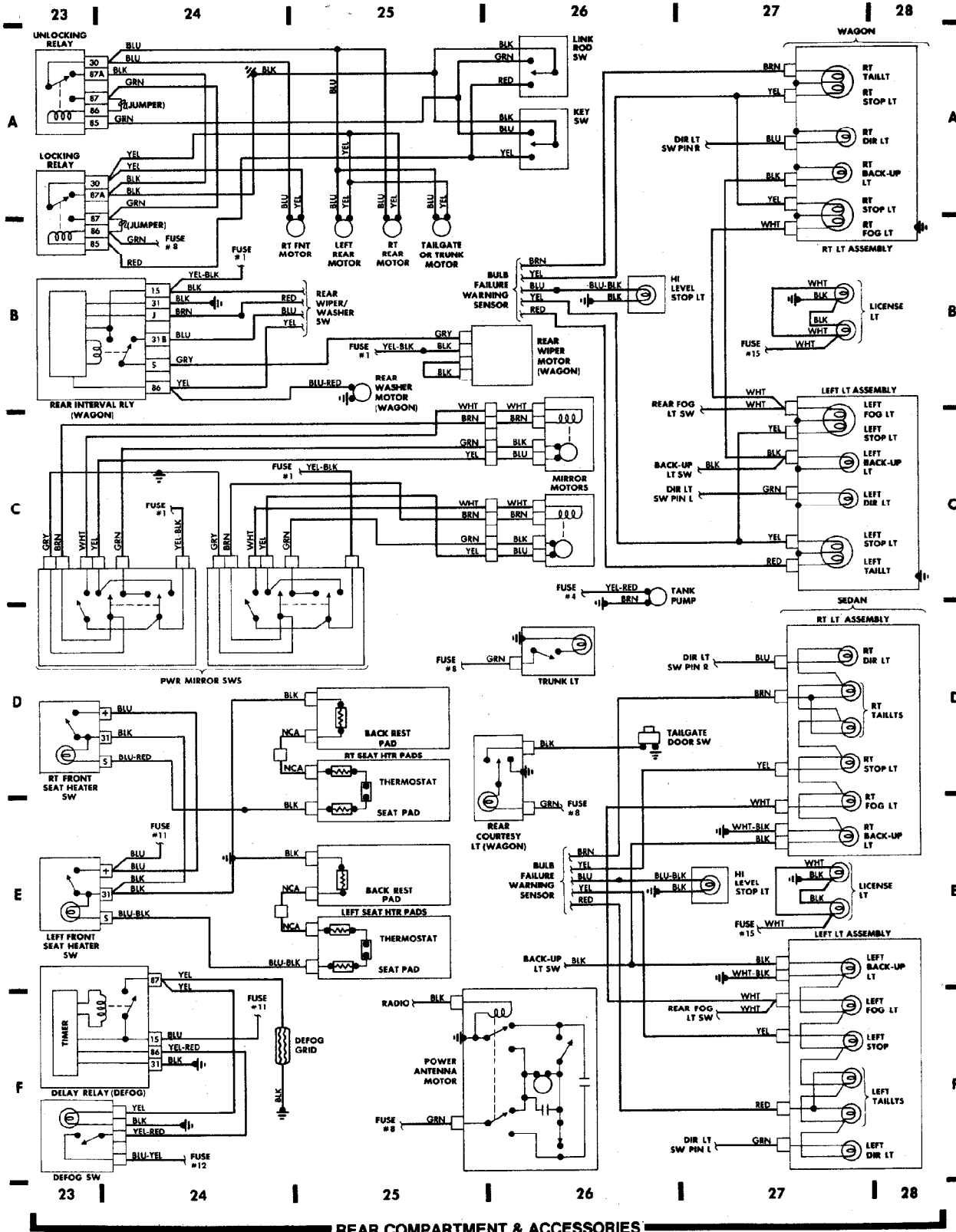




# WIRING DIAGRAMS

## Fig. 6: Rear Compartment & Accessories (Grids 23-28)

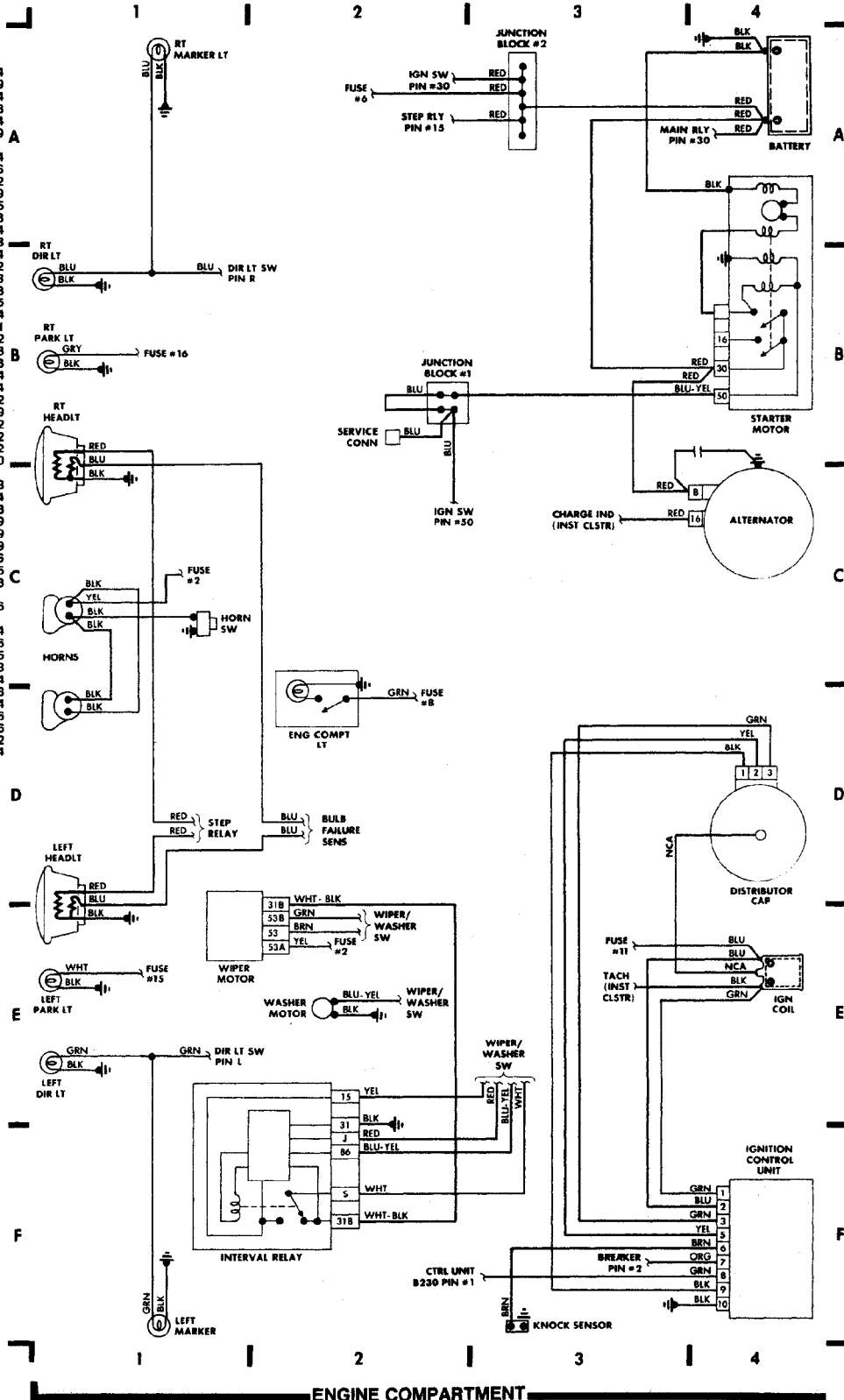
1986 Volvo 240DL/GL



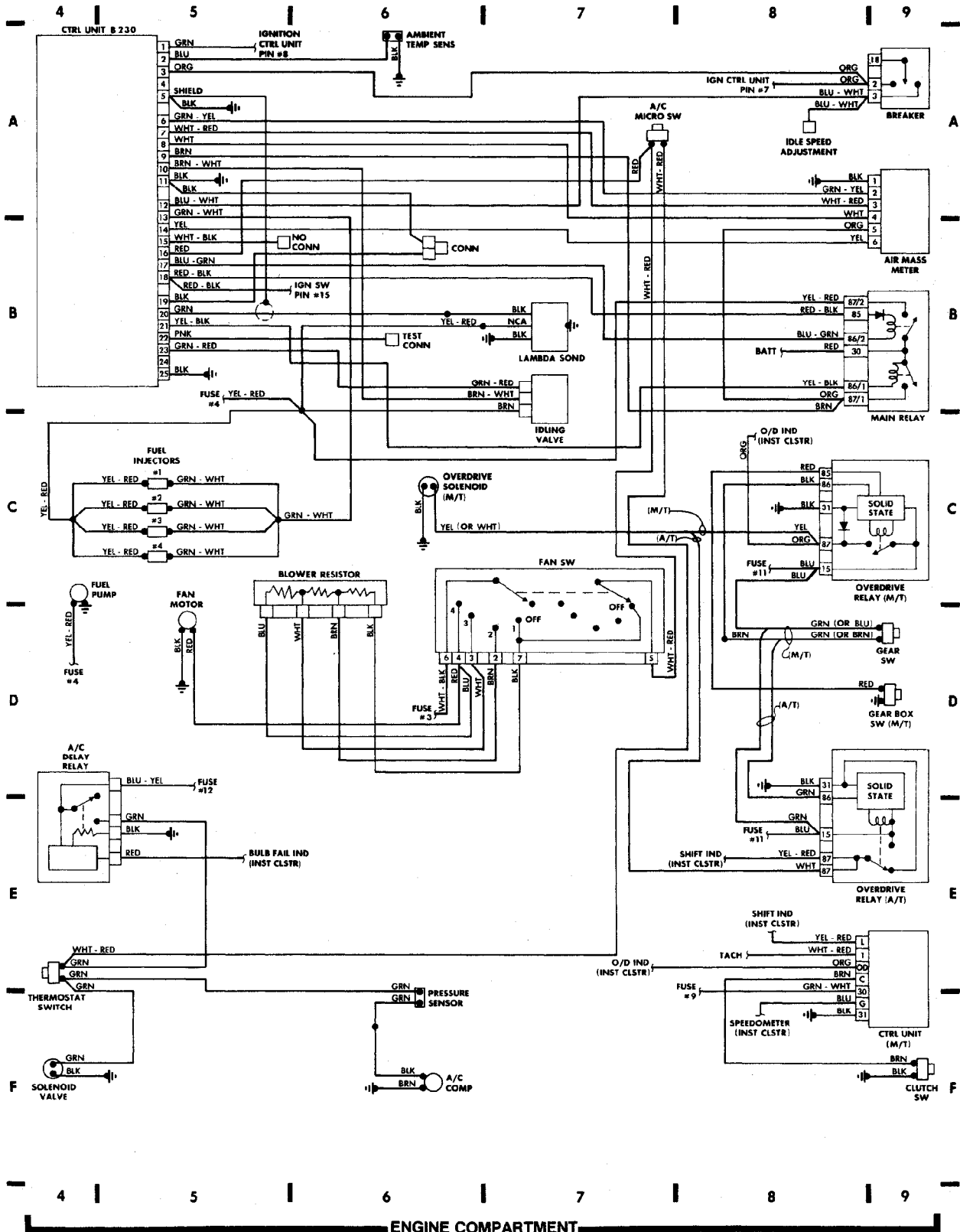
**WIRING DIAGRAMS**  
**Fig. 1: Engine Compartment (Grids 1-4)**  
 1986 Volvo 240DL/GL

**COMPONENT LOCATOR:**

A/C DELAY RELAY	.....	D-E 4
AIR MASS METER	.....	A-B 9
ALTERNATOR	.....	C 4
BACK-UP LT SW	.....	D 18
BATTERY	.....	A 4
BREAKER	.....	A-9
BULB FAILURE WARNING	.....	A-9
SENSOR	.....	E-F 14
CHIME MODULE	.....	C 16
CIG LTR	.....	A 22
CONTROL UNIT	.....	F 9
CONTROL UNIT B230	.....	A-B 4-5
DEFOG SW	.....	F 23
DELAY RELAY (DEFOG)	.....	F 23-24
DIR LT SW	.....	E 18
DISTRIBUTOR	.....	D 4
ENGINE COMPT LT	.....	D 2
FLASHER RELAY	.....	C 18
FOG LT SW	.....	A 18
FUEL INJECTOR	.....	C 4-5
FUEL PUMP	.....	C 4
FUSE BLOCK	.....	C-D 11
GLOVE BOX LT	.....	B 22
HAZARD LT SW	.....	A-C 18
HEADLT RELAY	.....	E 18
IGNITION COIL	.....	E 4
IGNITION CONTROL UNIT	.....	F 4
IGNITION SW	.....	A 10-12
INSTRUMENT CLUSTER	.....	A-D 18-19
INTERVAL RELAY	.....	F 1-2
JUNCTION BLOCK #1	.....	B 2
JUNCTION BLOCK #2	.....	A 2
LEFT FNT DOOR SW	.....	D 20
LEFT FNT SEAT HEATER	.....	E 23
SWITCH	.....	D-E 14
LOCKING RELAY	.....	A 23
MAIN RELAY	.....	B 9
OVERDRIVE RLY (A/T)	.....	D-E 8-9
OVERDRIVE RLY (M/T)	.....	C 8-9
POWER ANTENNA MOTOR	.....	F 26
POWER MIRROR SWS	.....	C-D 23-25
POWER WDO RLY	.....	D 23
REAR COURTESY LT	.....	D 26
REAR INTERVAL RELAY	.....	B 23-24
REAR WIPER MOTOR	.....	B 26
REAR WIPER/WASHER SW	.....	C-E 15
RHEOSTAT	.....	B-C 23
STARTER MOTOR	.....	A-B 4
STEP RELAY	.....	F 18
STOP LIGHT SW	.....	C 14
TANK PUMP	.....	C 26
TRUNK LT	.....	D 26
WIPER MOTOR	.....	E 2
WIPER/WASHER SW	.....	A-C 14



**WIRING DIAGRAMS**  
**Fig. 2: Engine Compartment (Cont.) (Grids 4-9)**  
 1986 Volvo 240DL/GL



# WIRING DIAGRAMS

## Fig. 3: Fuse Block (Grids 9-14)

1986 Volvo 240DL/GL

