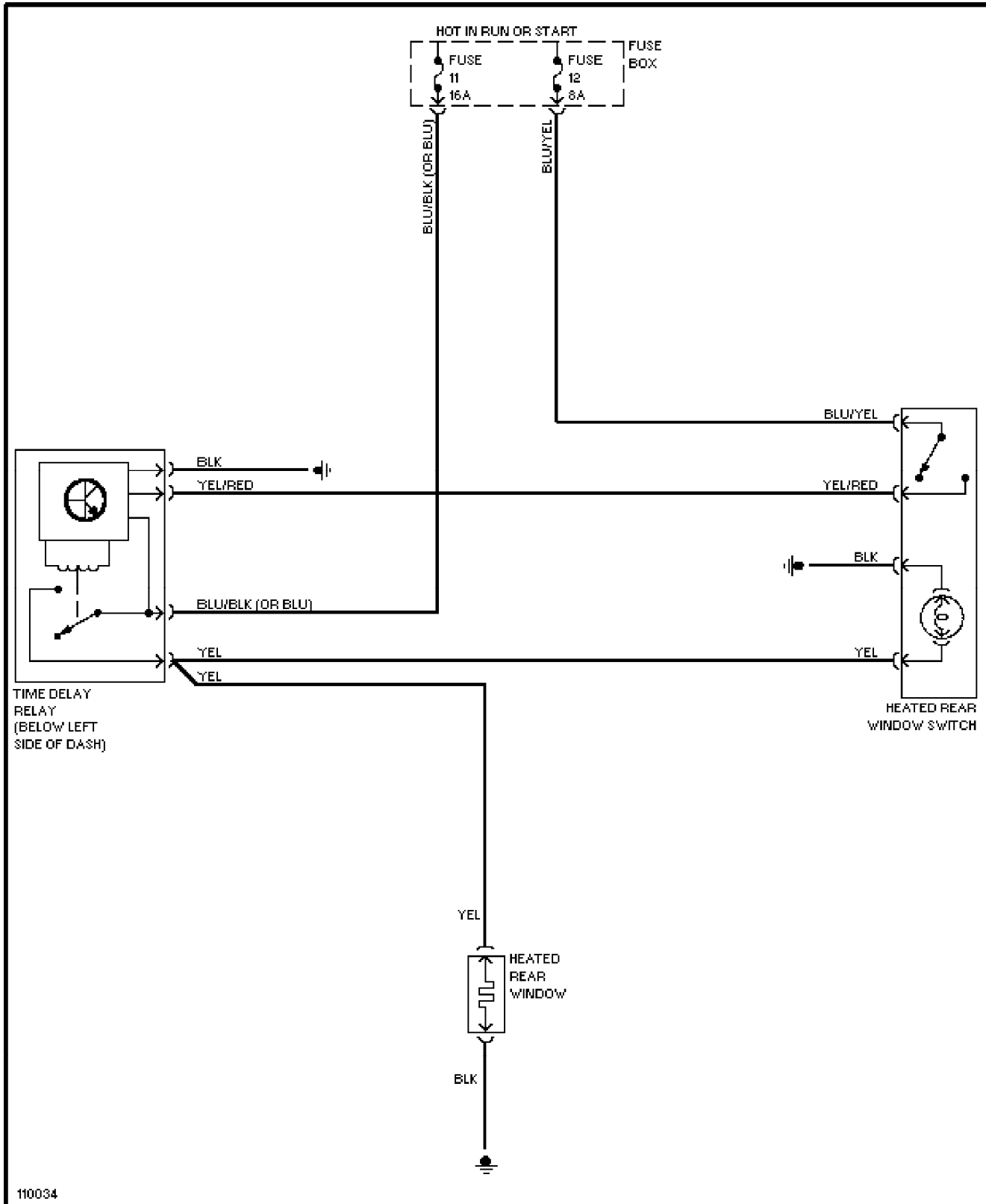


SYSTEM WIRING DIAGRAMS

Rear Defogger Circuit

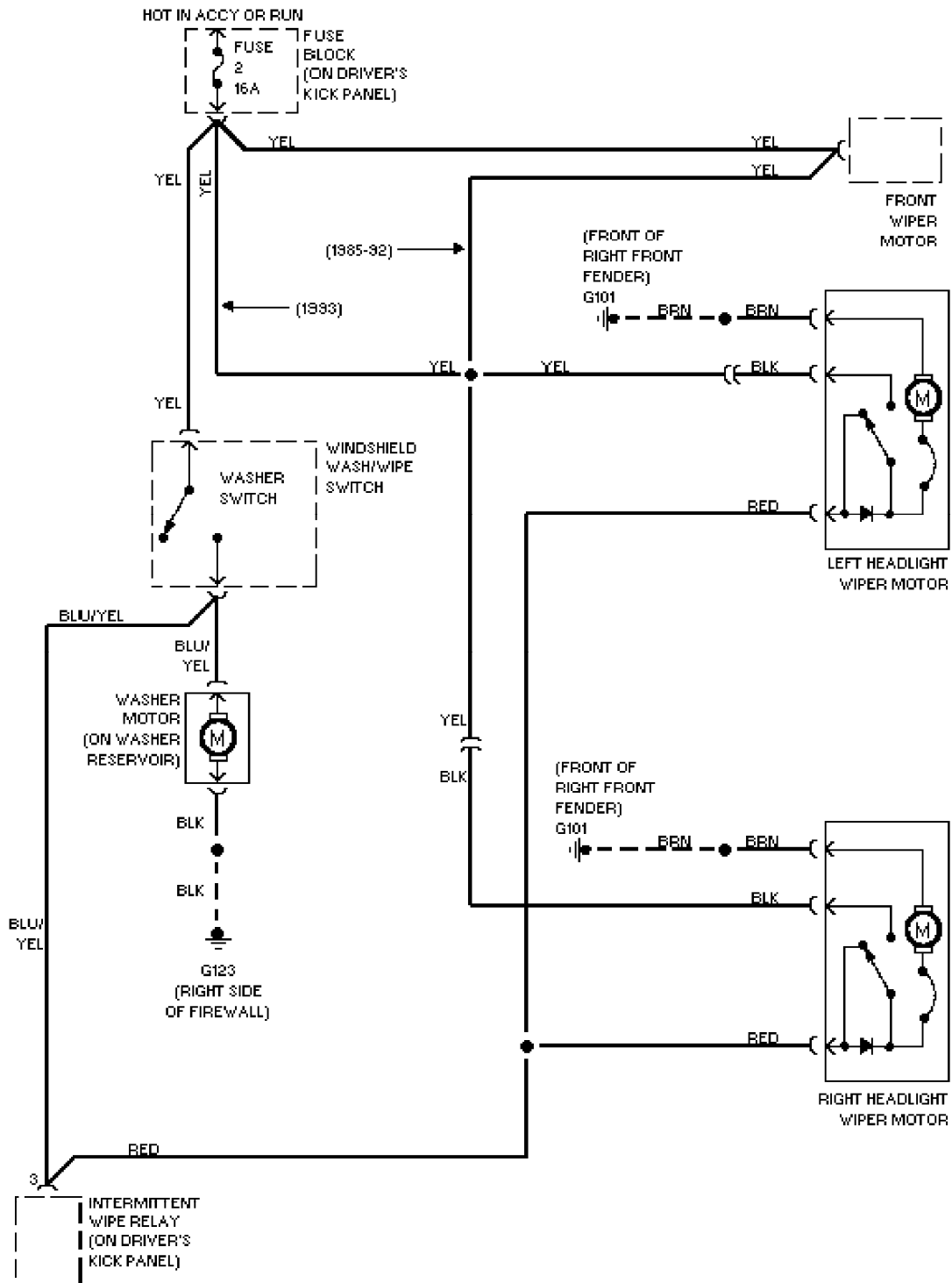
1987 Volvo 240DL/GL



SYSTEM WIRING DIAGRAMS

Headlight Washer/Wiper Circuit

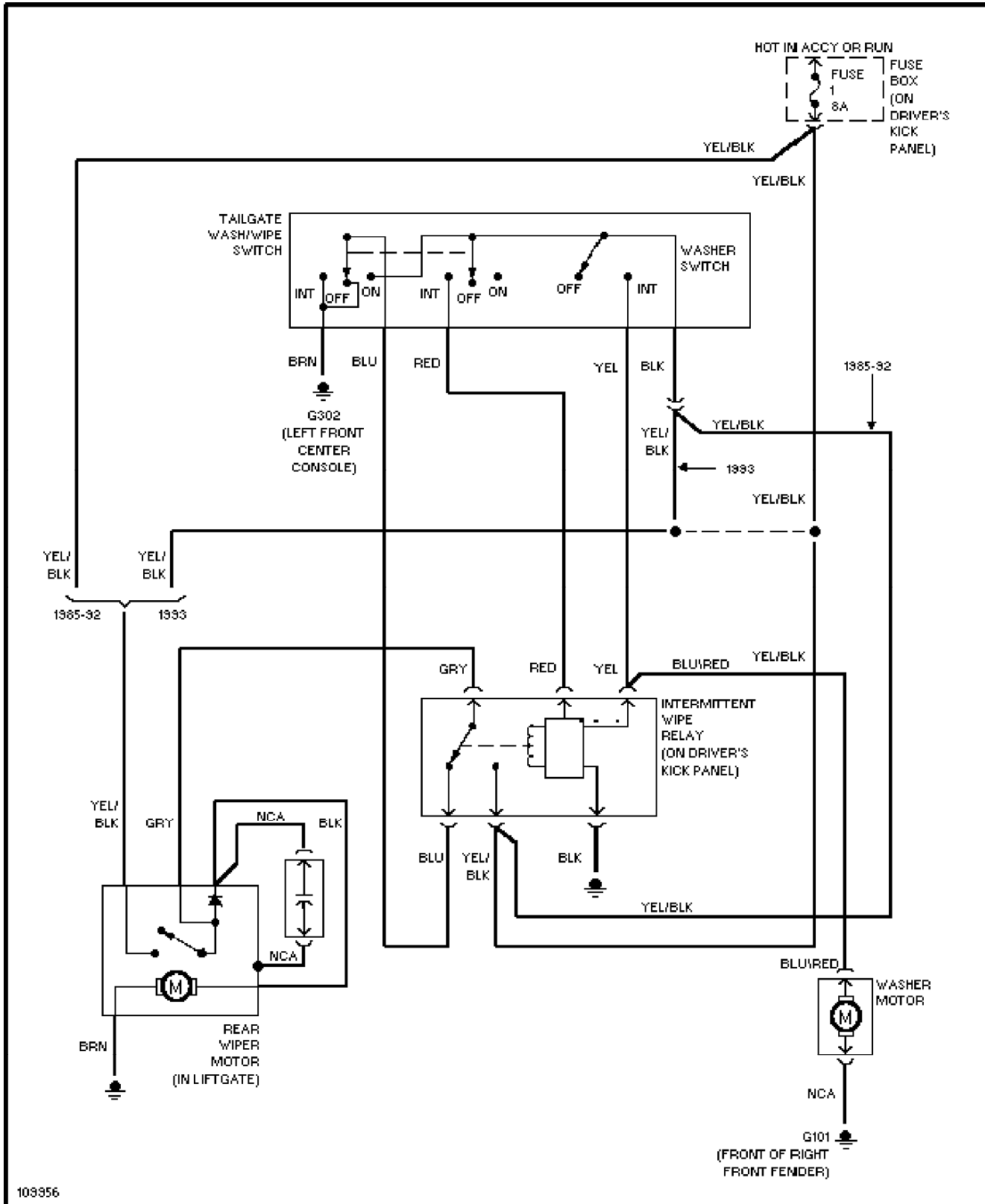
1987 Volvo 240DL/GL



SYSTEM WIRING DIAGRAMS

Rear Washer/Wiper W/ Intermittent Relay Circuit

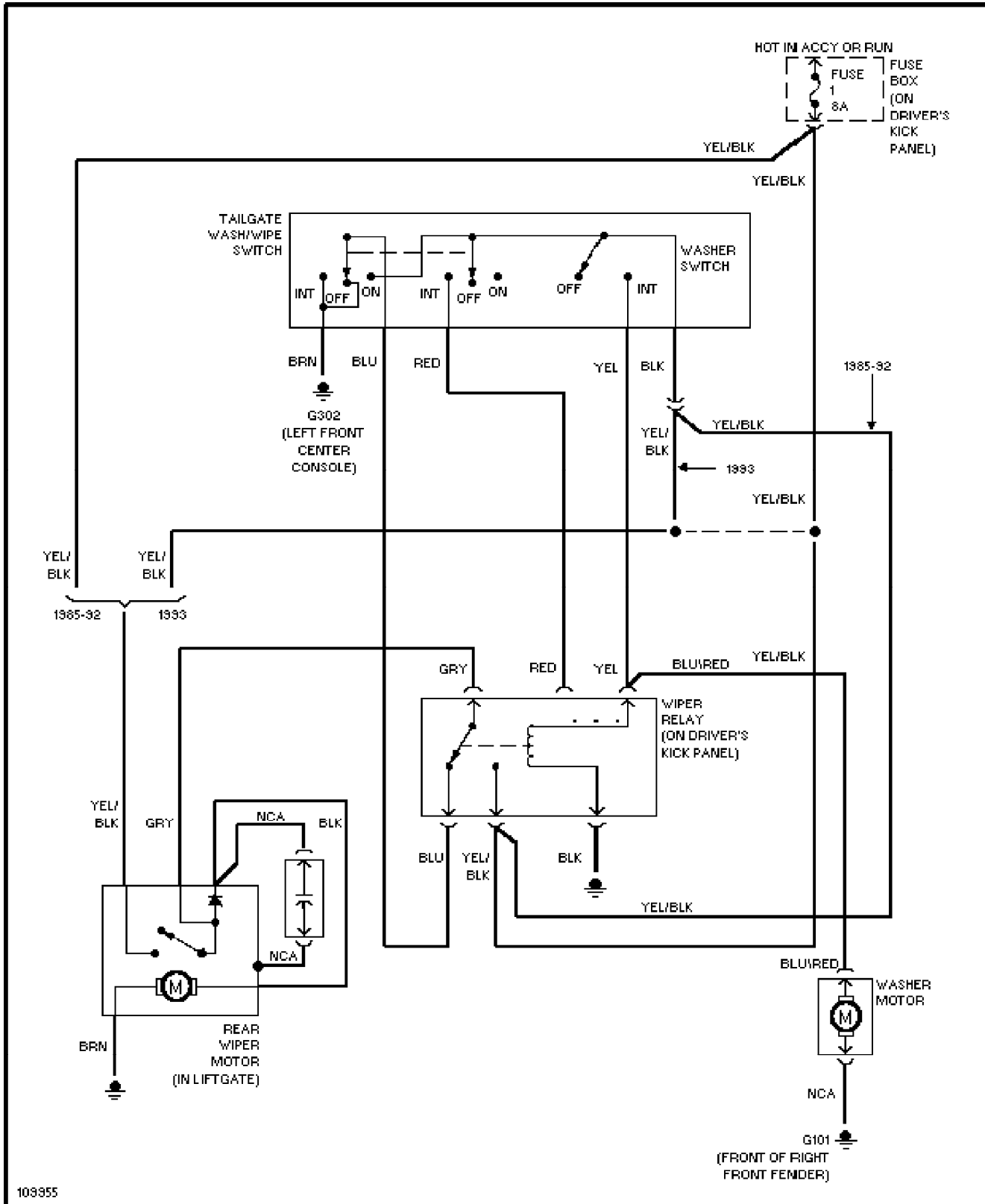
1987 Volvo 240DL/GL



SYSTEM WIRING DIAGRAMS

Rear Washer/Wiper W/O Intermittent Relay Circuit

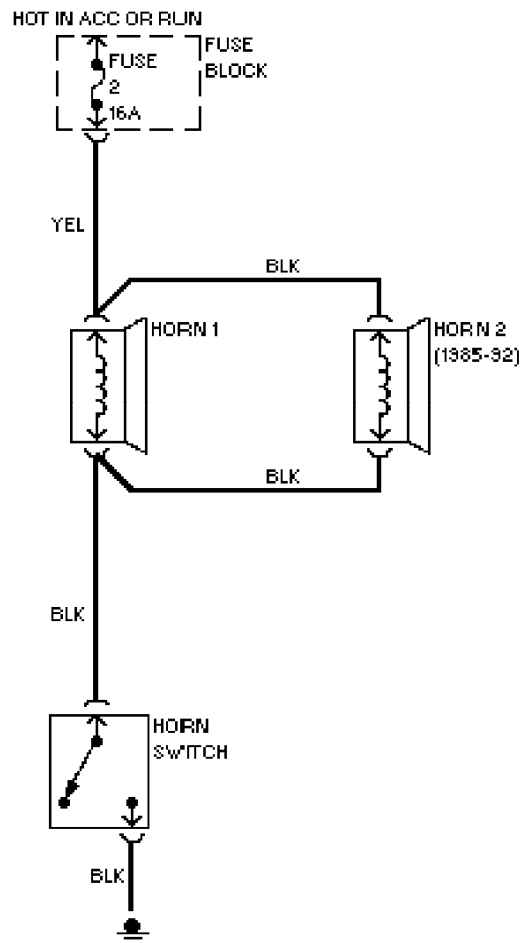
1987 Volvo 240DL/GL



SYSTEM WIRING DIAGRAMS

Horn Circuit

1987 Volvo 240DL/GL

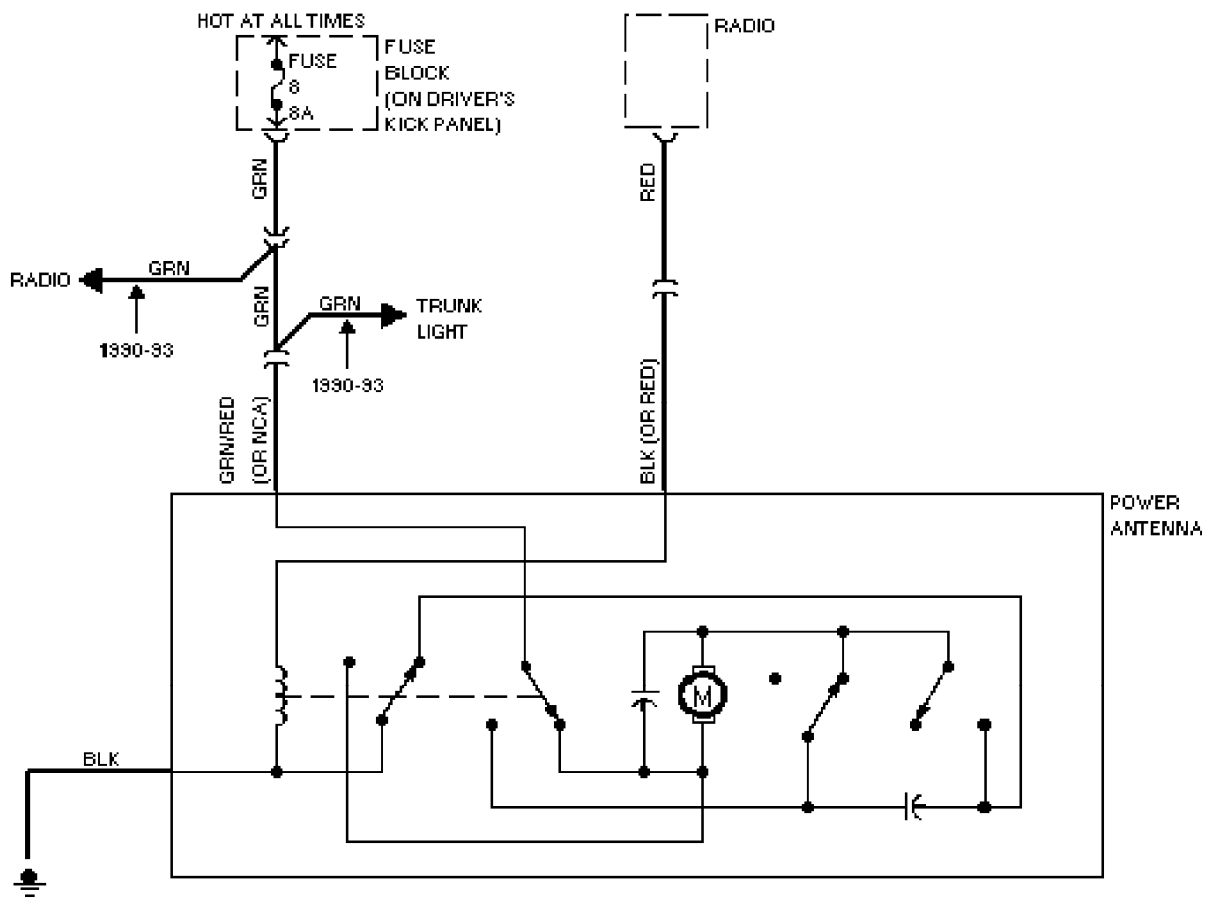


103960

SYSTEM WIRING DIAGRAMS

Power Antenna Circuit

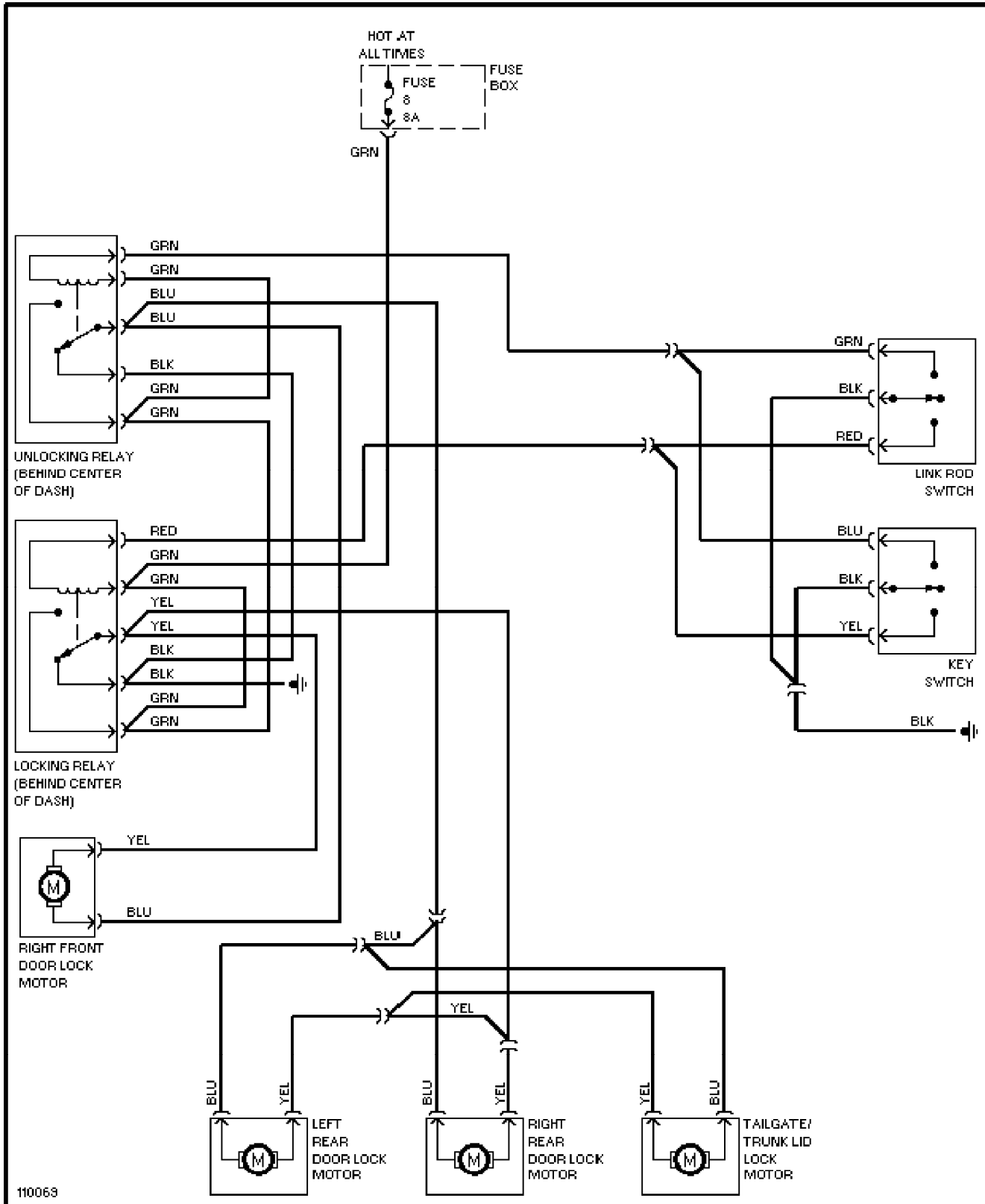
1987 Volvo 240DL/GL



SYSTEM WIRING DIAGRAMS

Power Door Lock Circuit

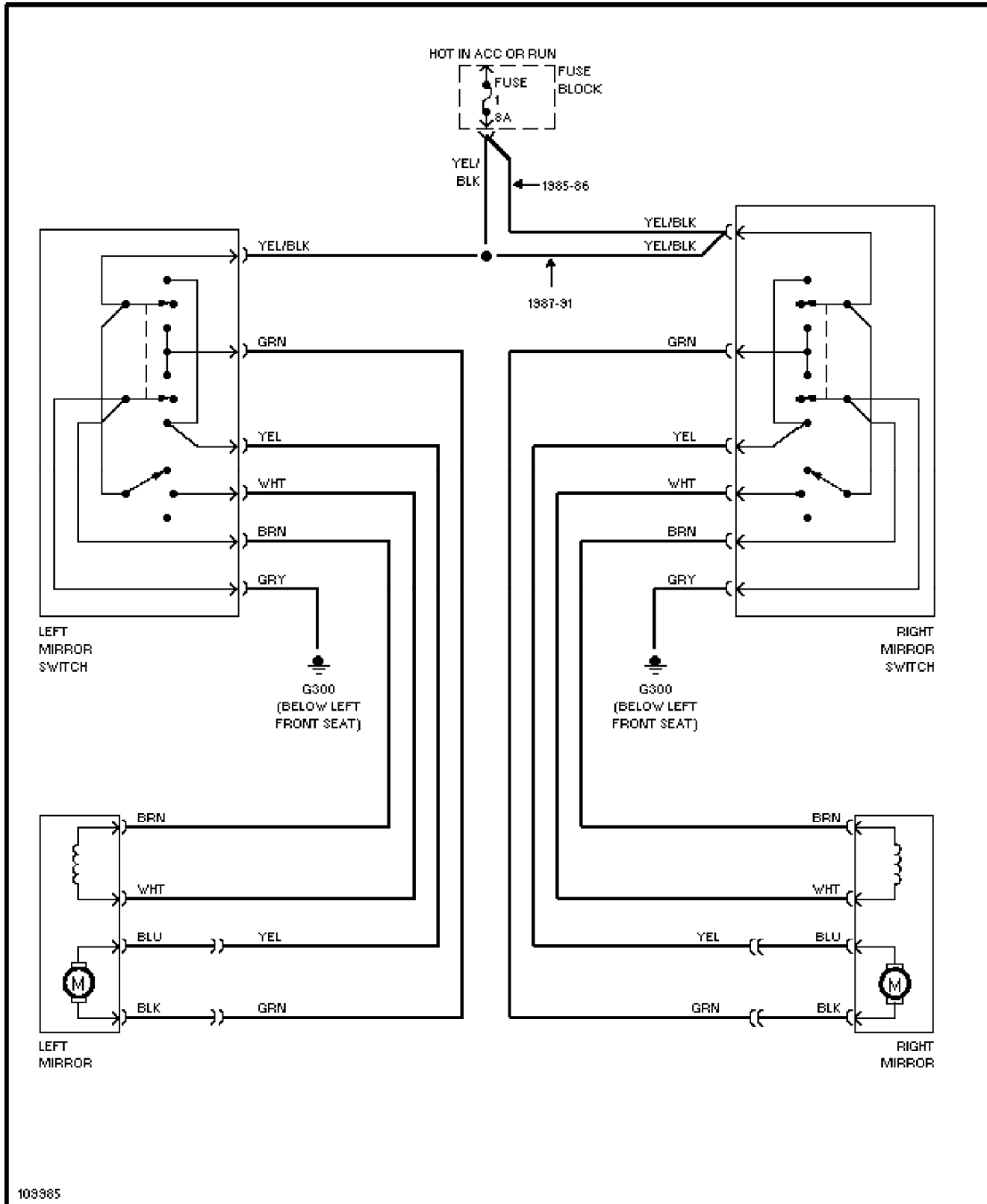
1987 Volvo 240DL/GL



SYSTEM WIRING DIAGRAMS

Power Mirror Circuit

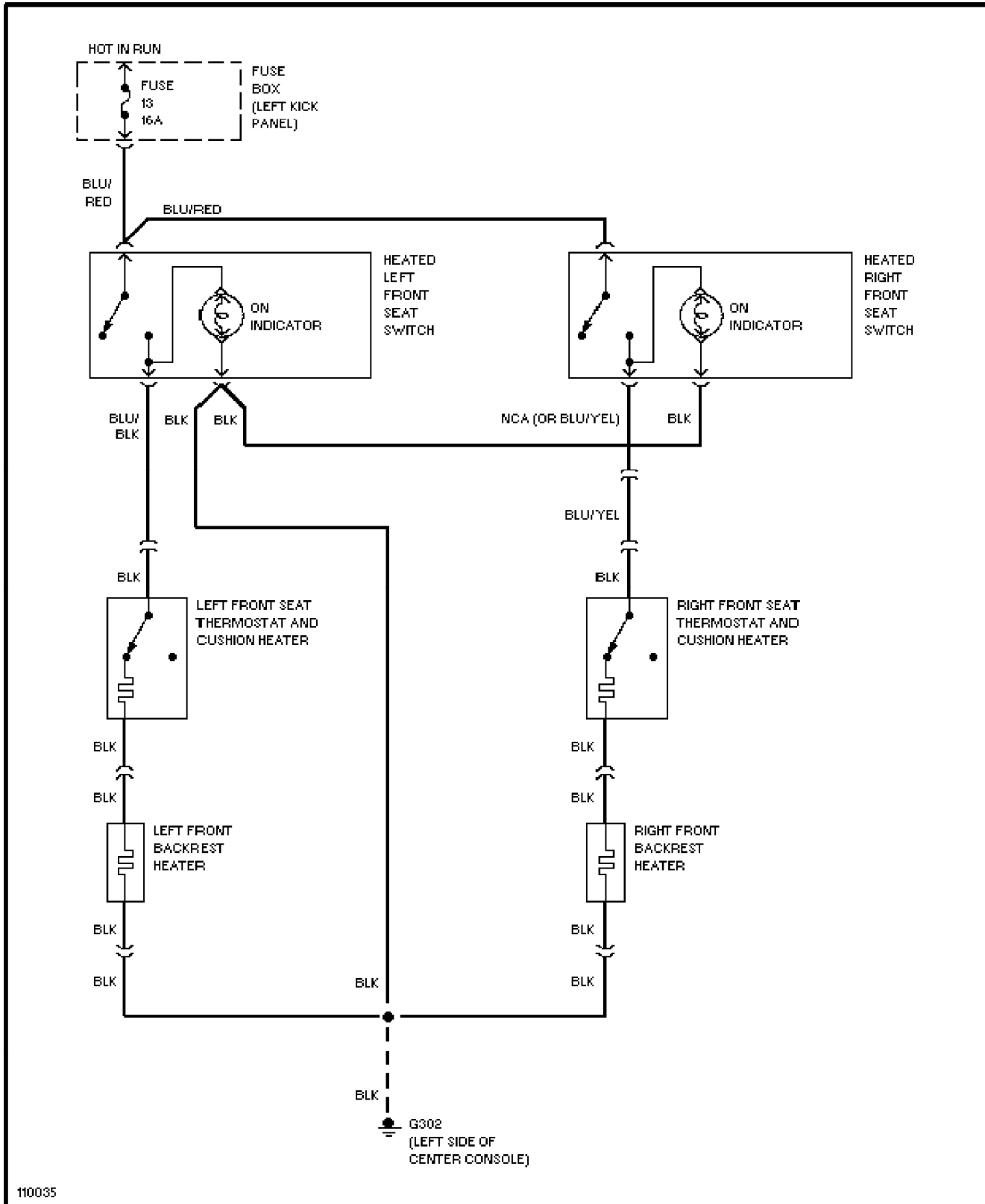
1987 Volvo 240DL/GL



SYSTEM WIRING DIAGRAMS

Heated Seats Circuit

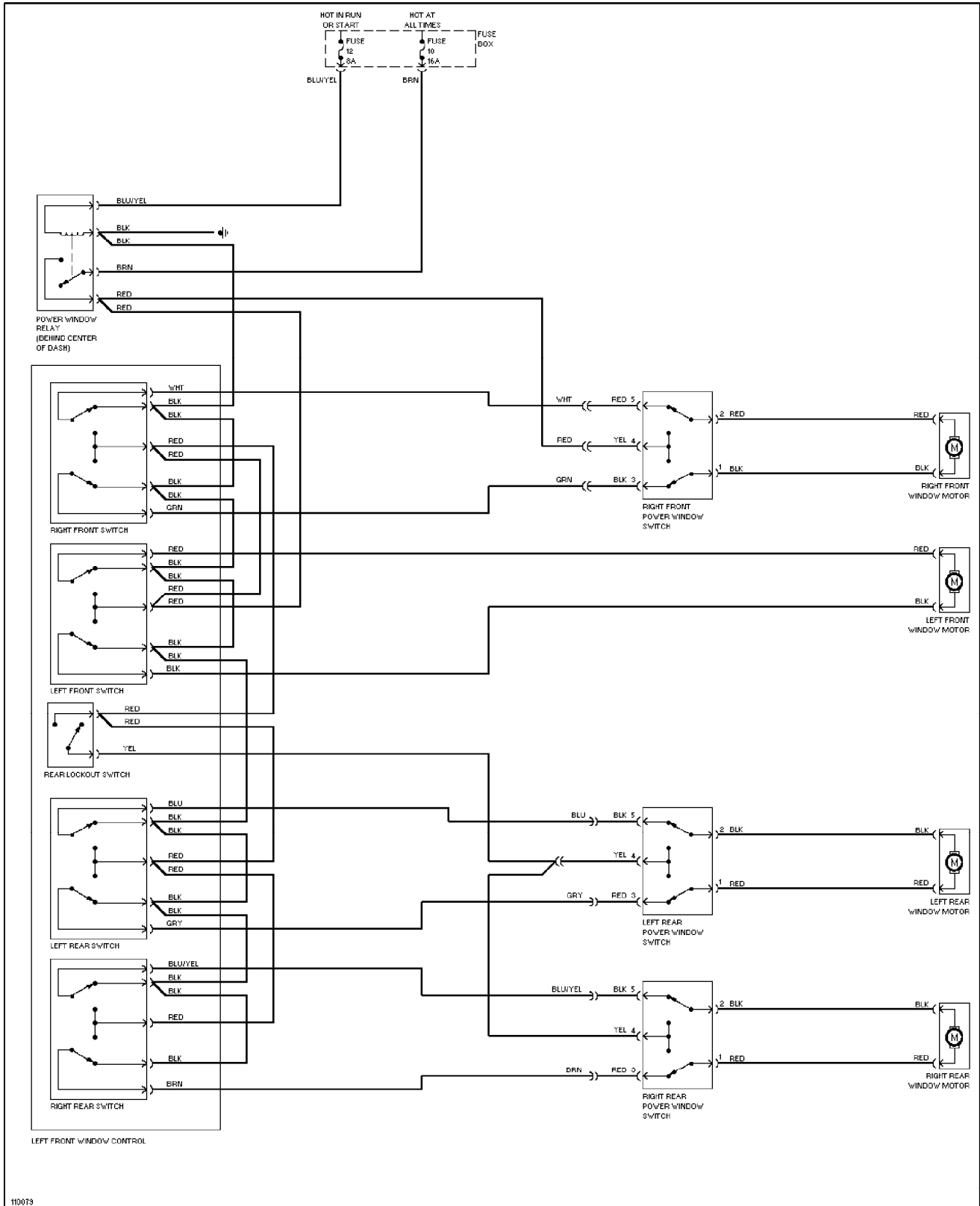
1987 Volvo 240DL/GL



SYSTEM WIRING DIAGRAMS

Power Window Circuit

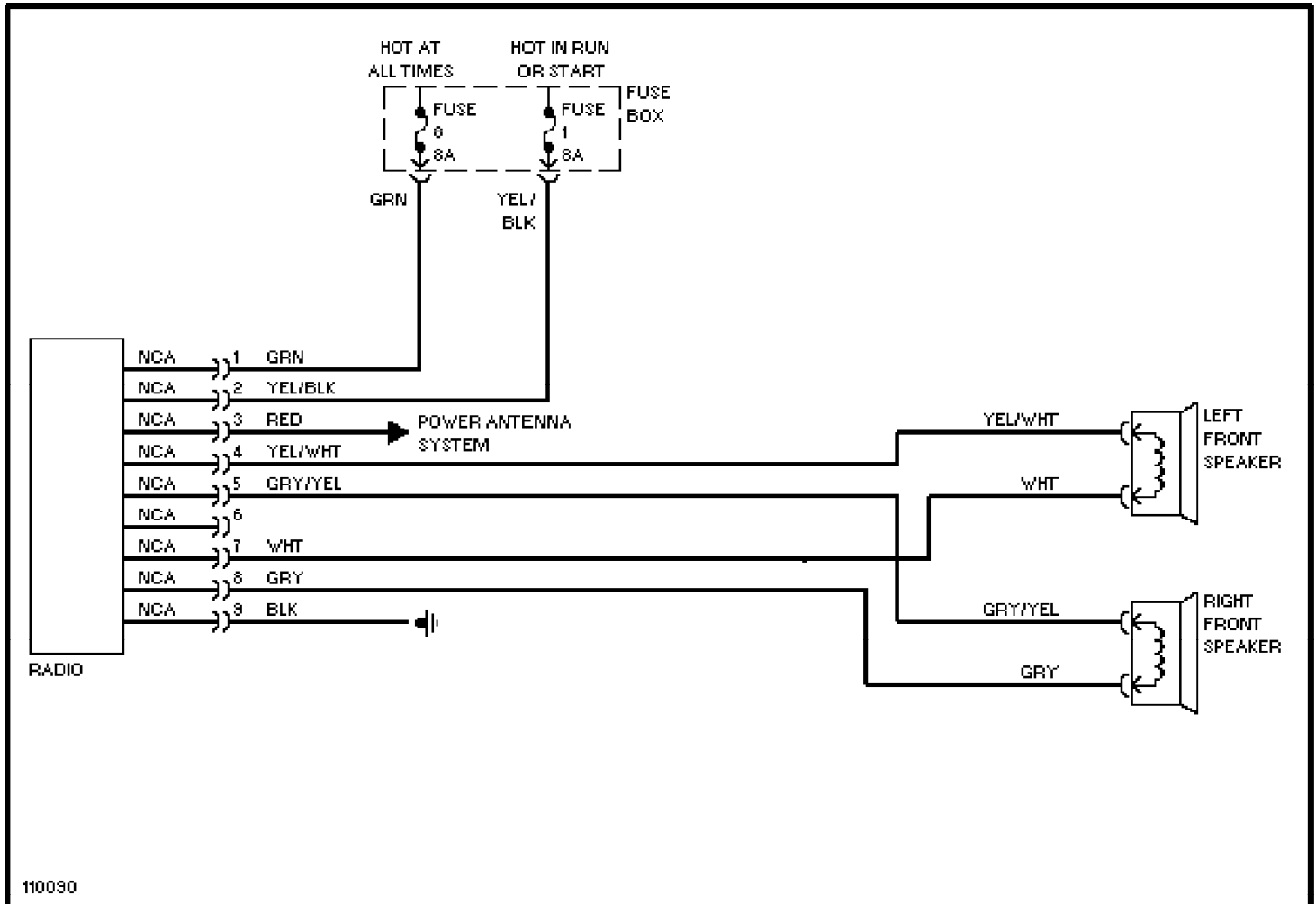
1987 Volvo 240DL/GL



SYSTEM WIRING DIAGRAMS

Radio Circuits

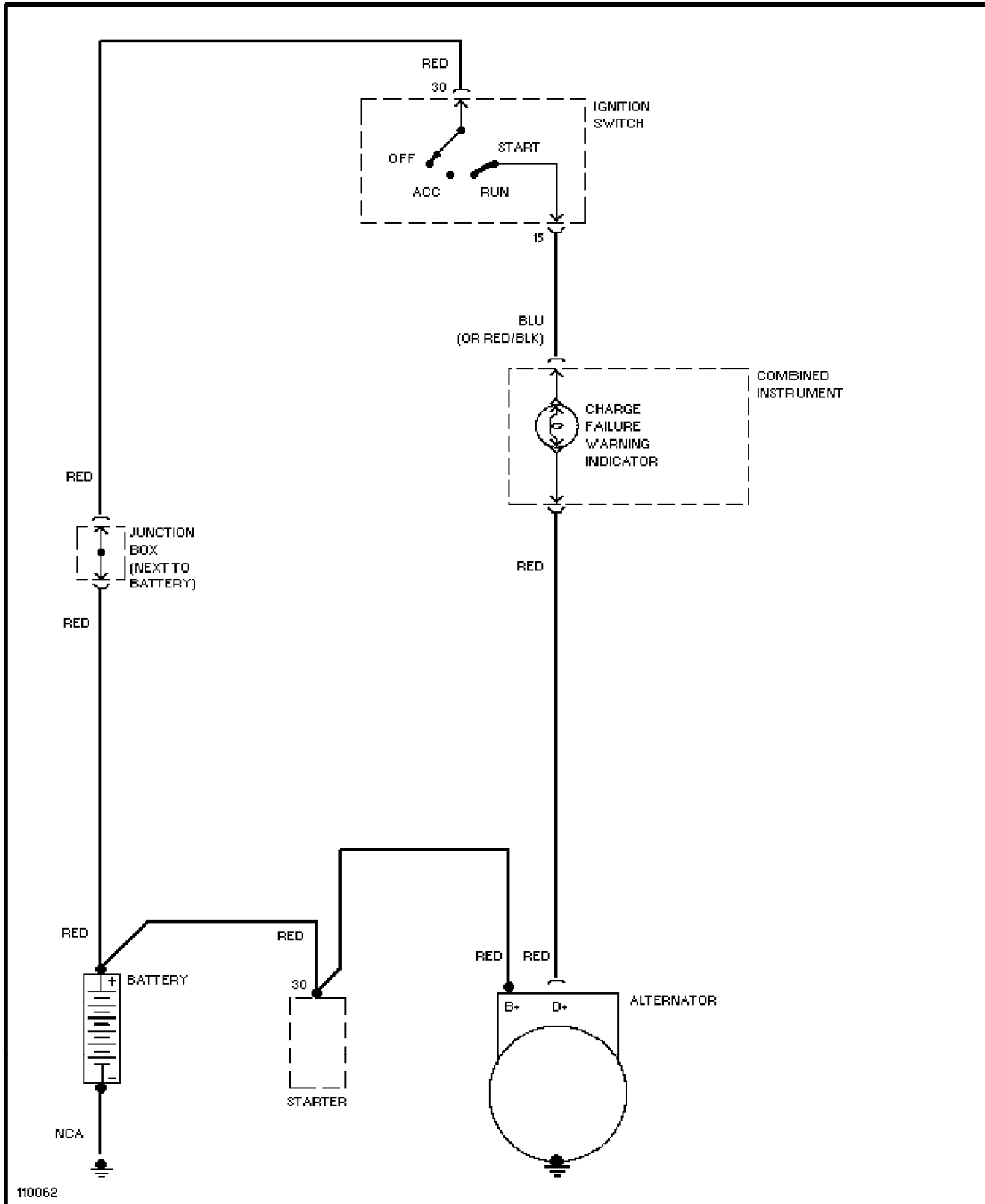
1987 Volvo 240DL/GL



SYSTEM WIRING DIAGRAMS

Charging Circuit

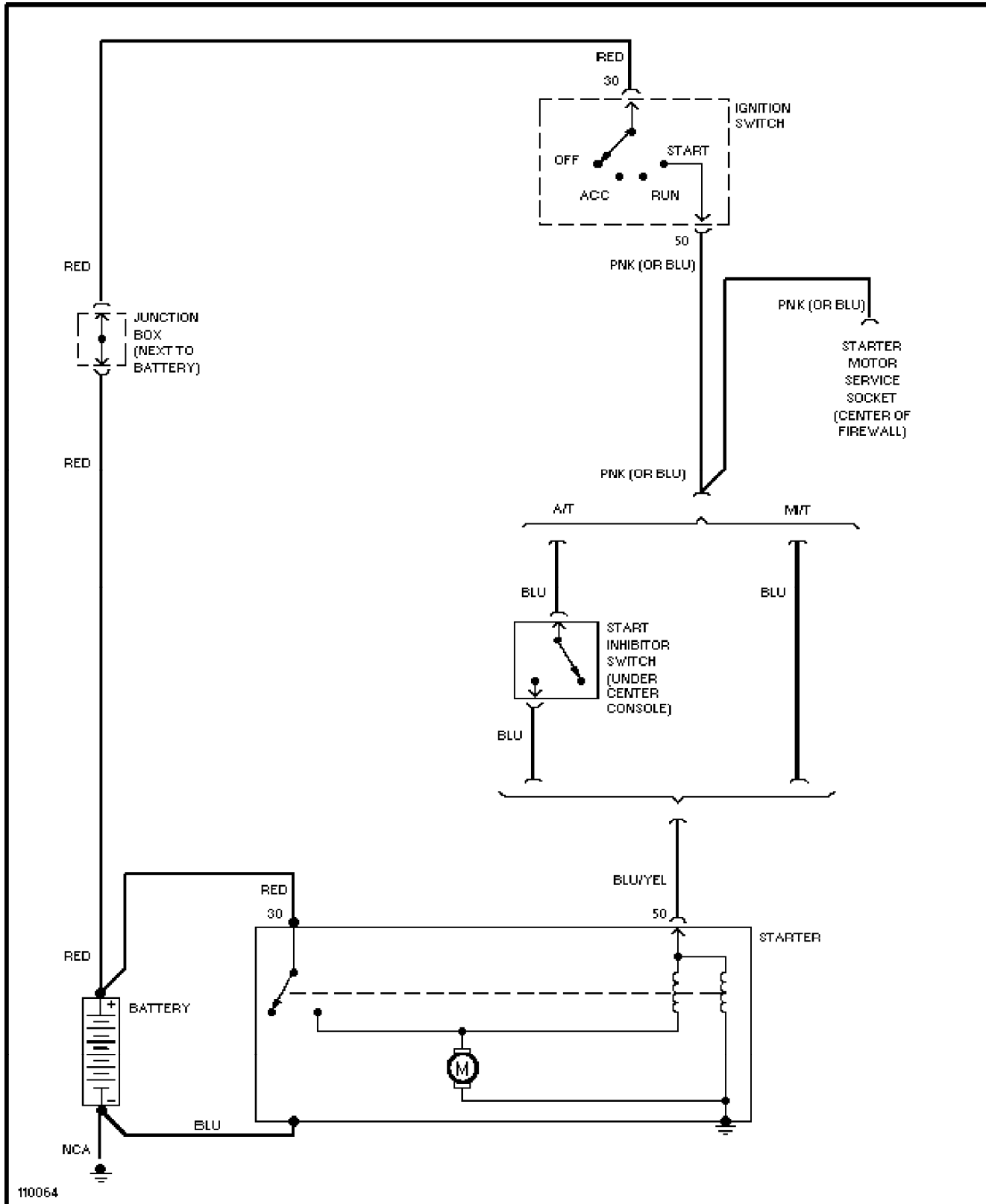
1987 Volvo 240DL/GL



SYSTEM WIRING DIAGRAMS

Starting Circuit

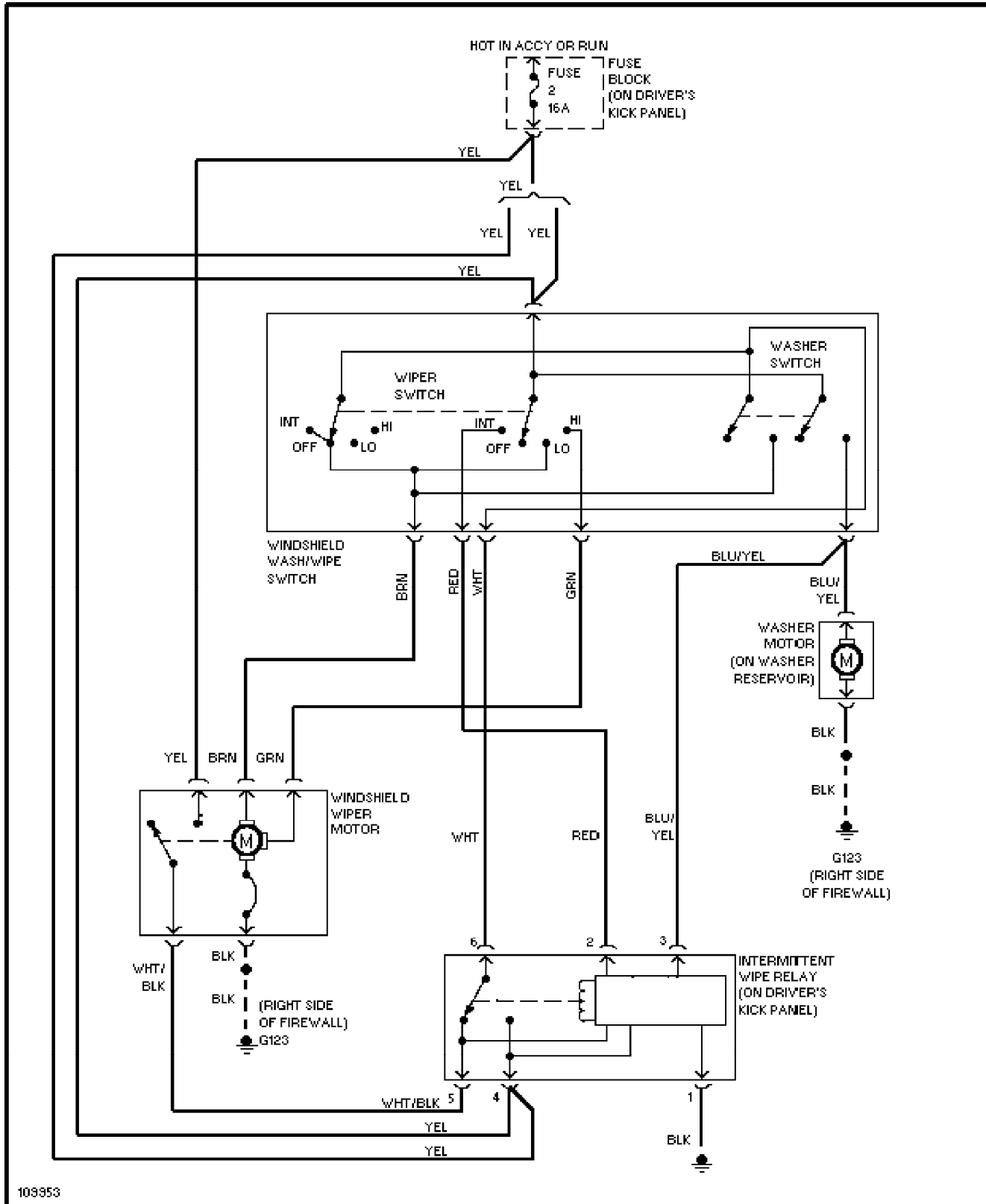
1987 Volvo 240DL/GL



SYSTEM WIRING DIAGRAMS

Front Washer/Wiper Circuit

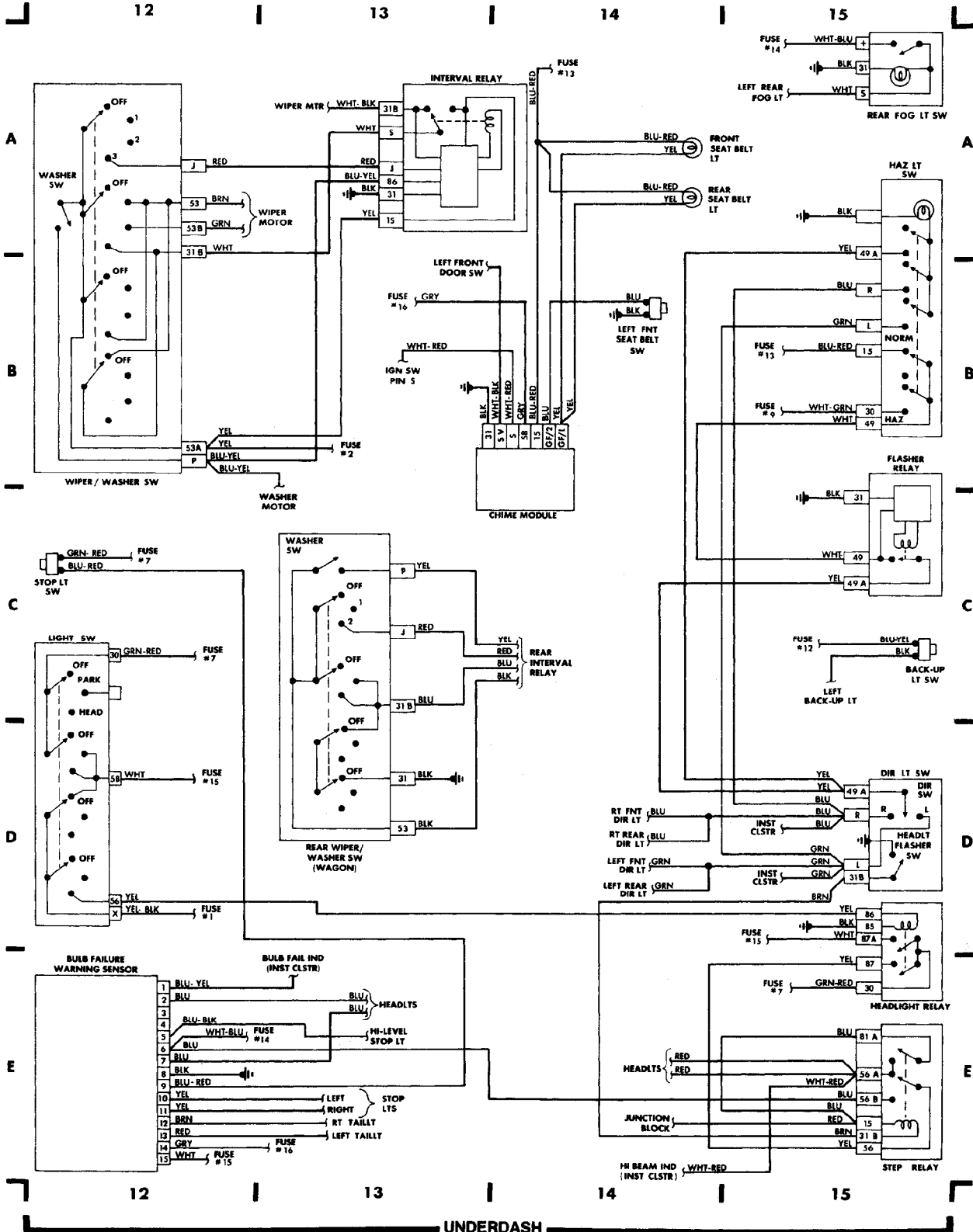
1987 Volvo 240DL/GL



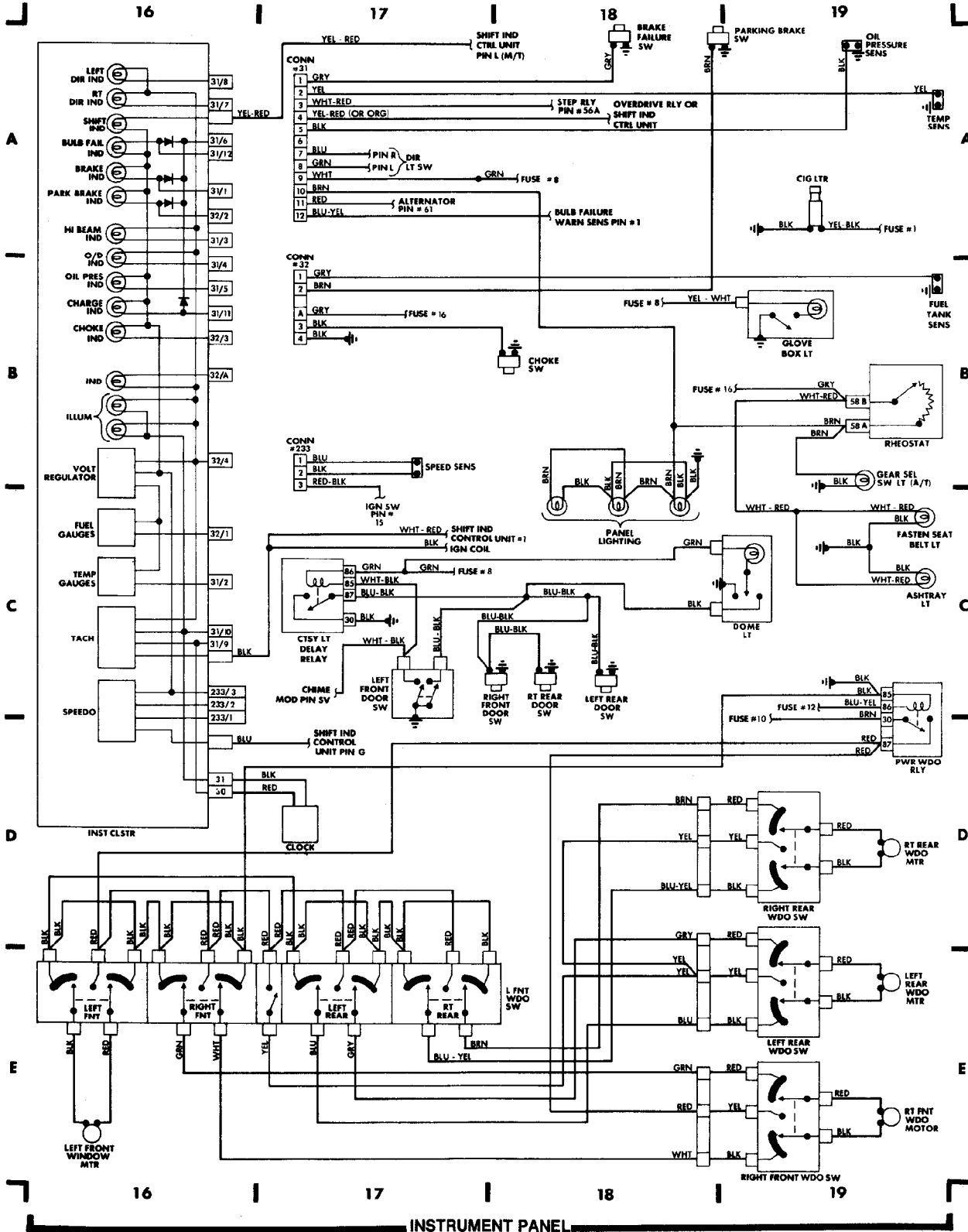
WIRING DIAGRAMS

Fig. 4: Underdash (Cont.) (Grids 12-15)

1987 Volvo 240DL/GL



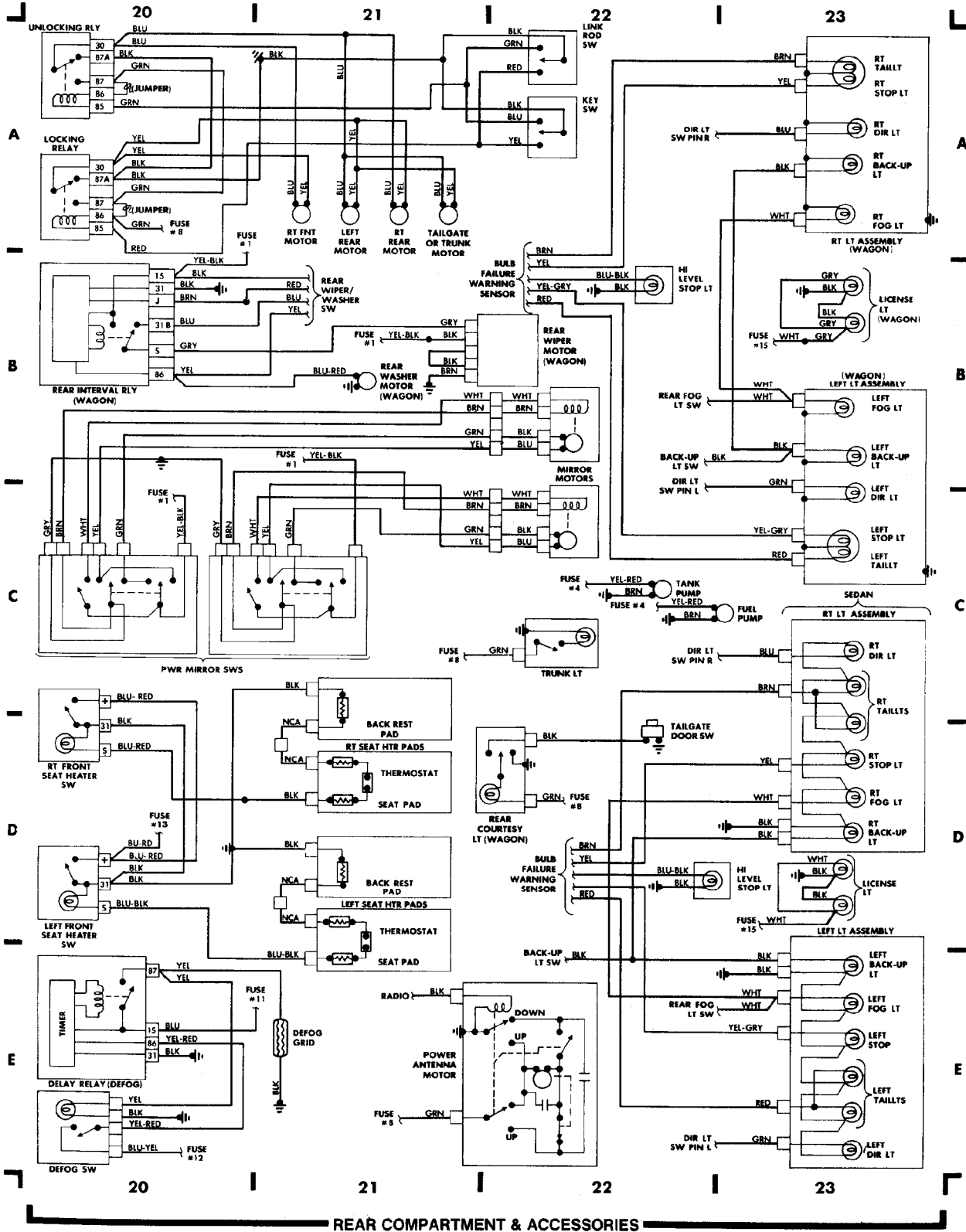
WIRING DIAGRAMS
Fig. 5: Instrument Panel (Grids 16-19)
 1987 Volvo 240DL/GL



WIRING DIAGRAMS

Fig. 6: Rear Compartment & Accessories (Grids 20-23)

1987 Volvo 240DL/GL



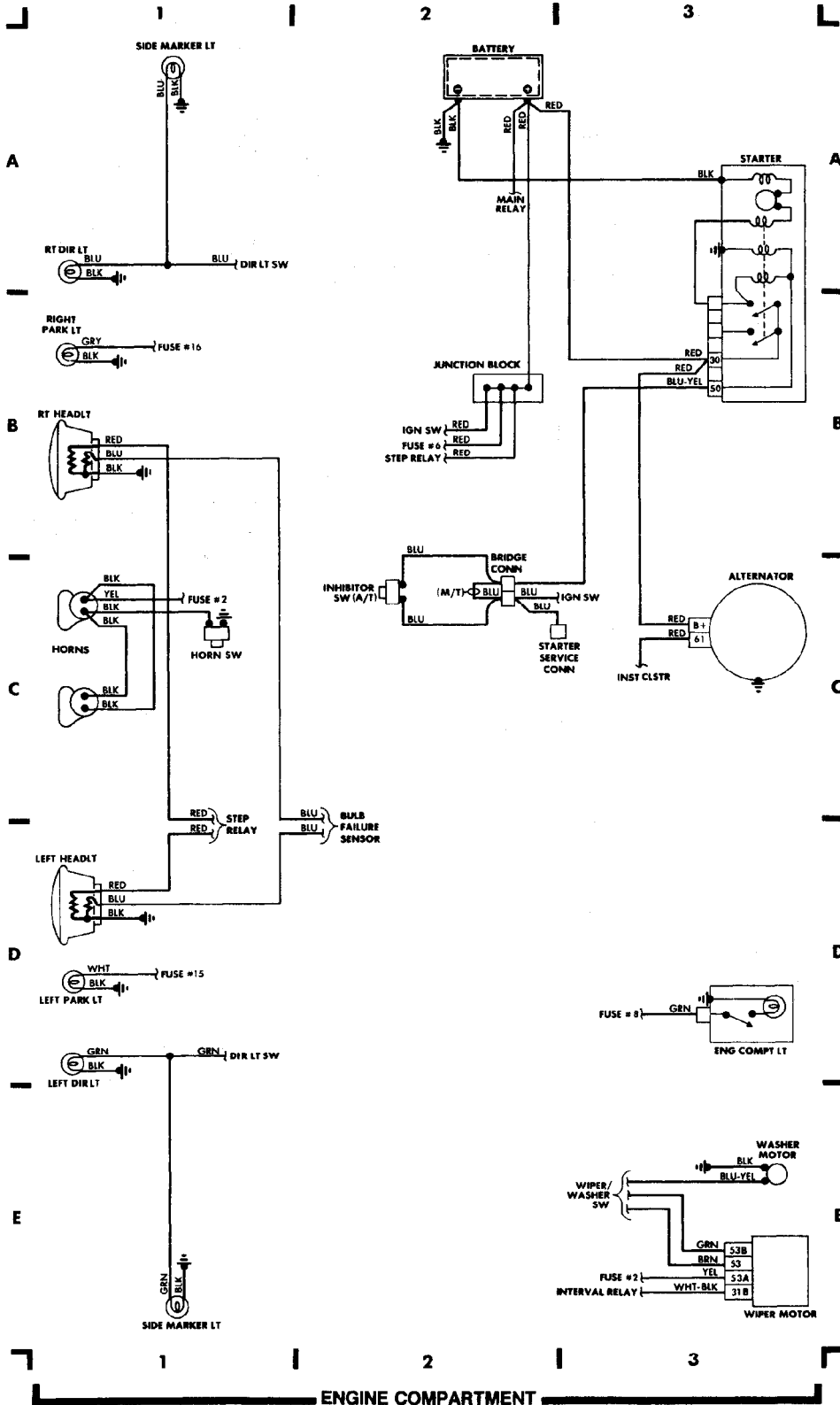
WIRING DIAGRAMS

Fig. 1: Engine Compartment (Grids 1-3)

1987 Volvo 240DL/GL

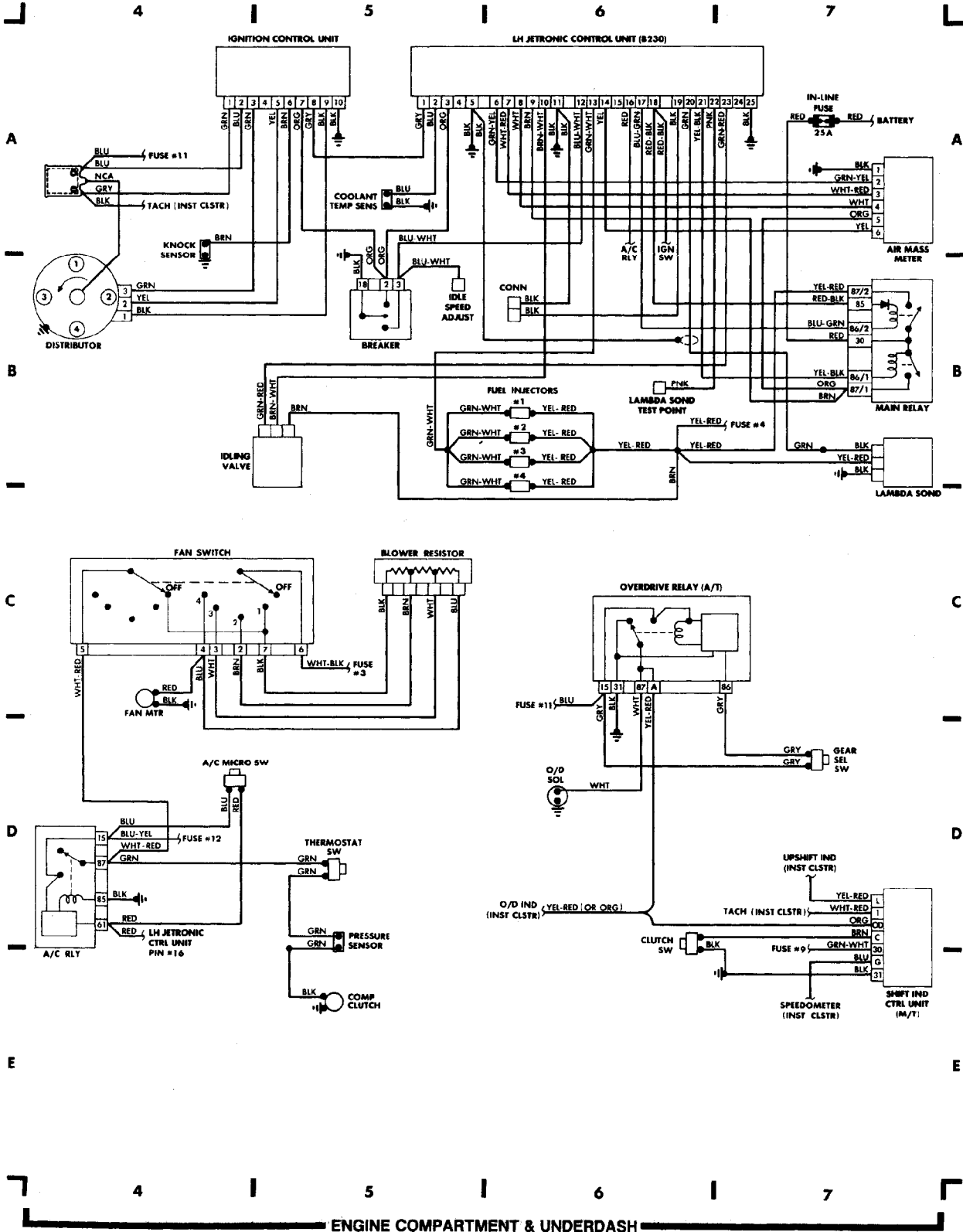
COMPONENT LOCATOR:

A/C RELAY	D 4
ALTERNATOR	C 3
BACK-UP LT SW	C 15
BATTERY	A 2
BRAKE FAILURE SW	A 18
BRIDGE CONN	C 2
BULB FAILURE WARN SENS	E 12
CENTRAL LOCKING SYS	A 20-22
CHIME MODULE	B 14
CIG LTR	A 19
CTS Y LT DELAY RELAY	C 17
DEFOG SW	E 20
DELAY RELAY (DEFOG)	E 20
DIR LT SW	D 15
DOME LT	C 19
ENG COMPT LT	D 3
FAN SW	C 4
FLASHER RELAY	C 15
FUEL INJECTORS	B 6
FUEL PUMP	C 22
FUSE BLOCK	B-D 9-10
GLOVE BOX LT	B 19
HAZ LT SW	A 7
HEADLT RELAY	D 15
HEATED SEATS	D 20-21
IGN COIL	A 4
IGN CTRL UNIT	A 5
IGN SW	A 9
INHIBITOR SW (A/T)	C 2
INST CLSTR	A-D 16
INTERVAL RELAY	A 13
JUNCTION BLOCK	B 2
LH JETRONIC CTRL UNIT	A 8
LEFT FNT DOOR SW	C 17
LIGHT SW	C-D 12
LOCKING RELAY	A 20
MAIN RELAY	B 7
OIL PRES SENSOR	A 19
OVERDRIVE RELAY (A/T)	C 6
PARK BRAKE SW	A 18
PWR ANT MOTOR	E 22
PWR MIRRORS	B-C 20-22
PWR WDO	D-E 16-19
PWR WDO RELAY	C 19
REAR COURTESY LT (WAGON)	D 22
REAR FOG LT SW	A 15
REAR INTERVAL RELAY (WAGON)	B 20
REAR WIPER MOTOR (WAGON)	B 22
REAR WIPER/WASHER SW (WAGON)	C-D 13
RHEOSTAT	B 19
SHIFT IND CTRL UNIT (M/T)	D 7
SPEED SENS	B 17
STARTER	A 3
STEP RELAY	E 15
STOP LT SW	C 12
TANK PUMP	C 22
TEMP SENS	A 19
TRUNK LT	C 22
UNLOCKING RELAY	A 20
WASHER MOTOR	E 3
WIPER MOTOR	E 3
WIPER/WASHER SW	A-B 12



WIRING DIAGRAMS

Fig. 2: Engine Compartment (Cont.) & Underdash (Grids 4-7)
1987 Volvo 240DL/GL

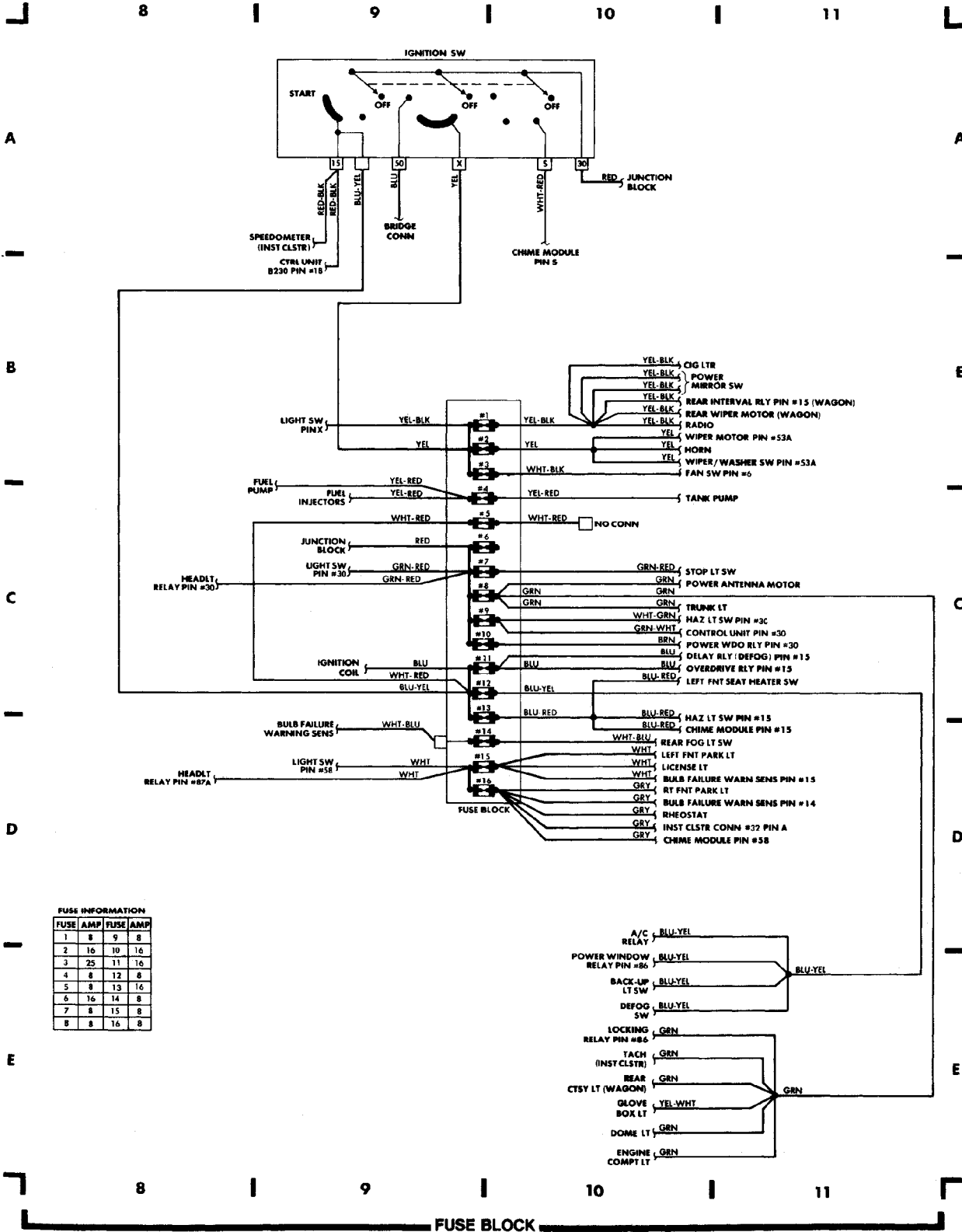


ENGINE COMPARTMENT & UNDERDASH

WIRING DIAGRAMS

Fig. 3: Fuse Block (Grids 8-11)

1987 Volvo 240DL/GL



FUSE INFORMATION

FUSE	AMP	FUSE	AMP
1	8	9	8
2	16	10	16
3	25	11	16
4	8	12	8
5	8	13	16
6	16	14	8
7	8	15	8
8	8	16	8