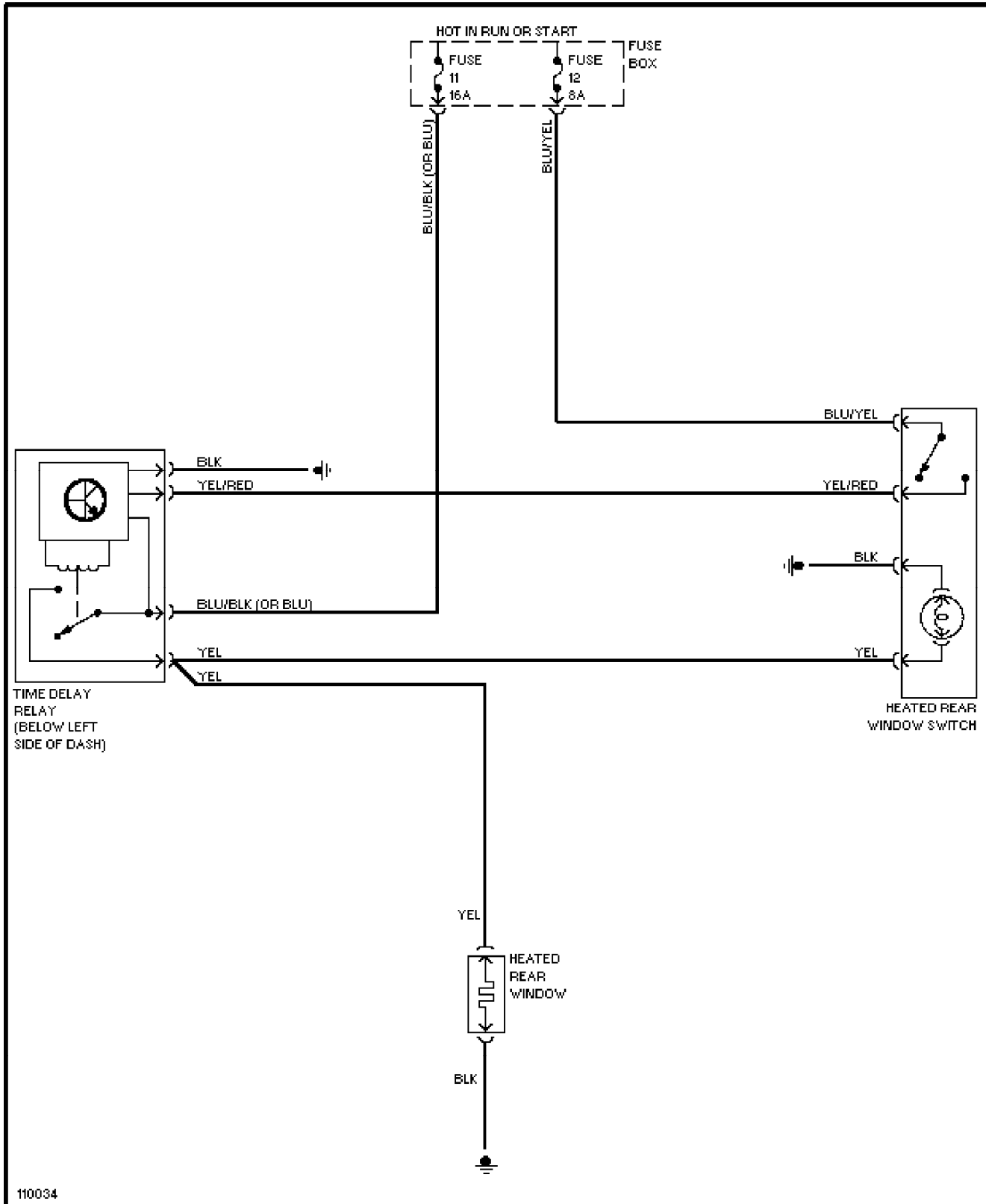


# SYSTEM WIRING DIAGRAMS

## Rear Defogger Circuit

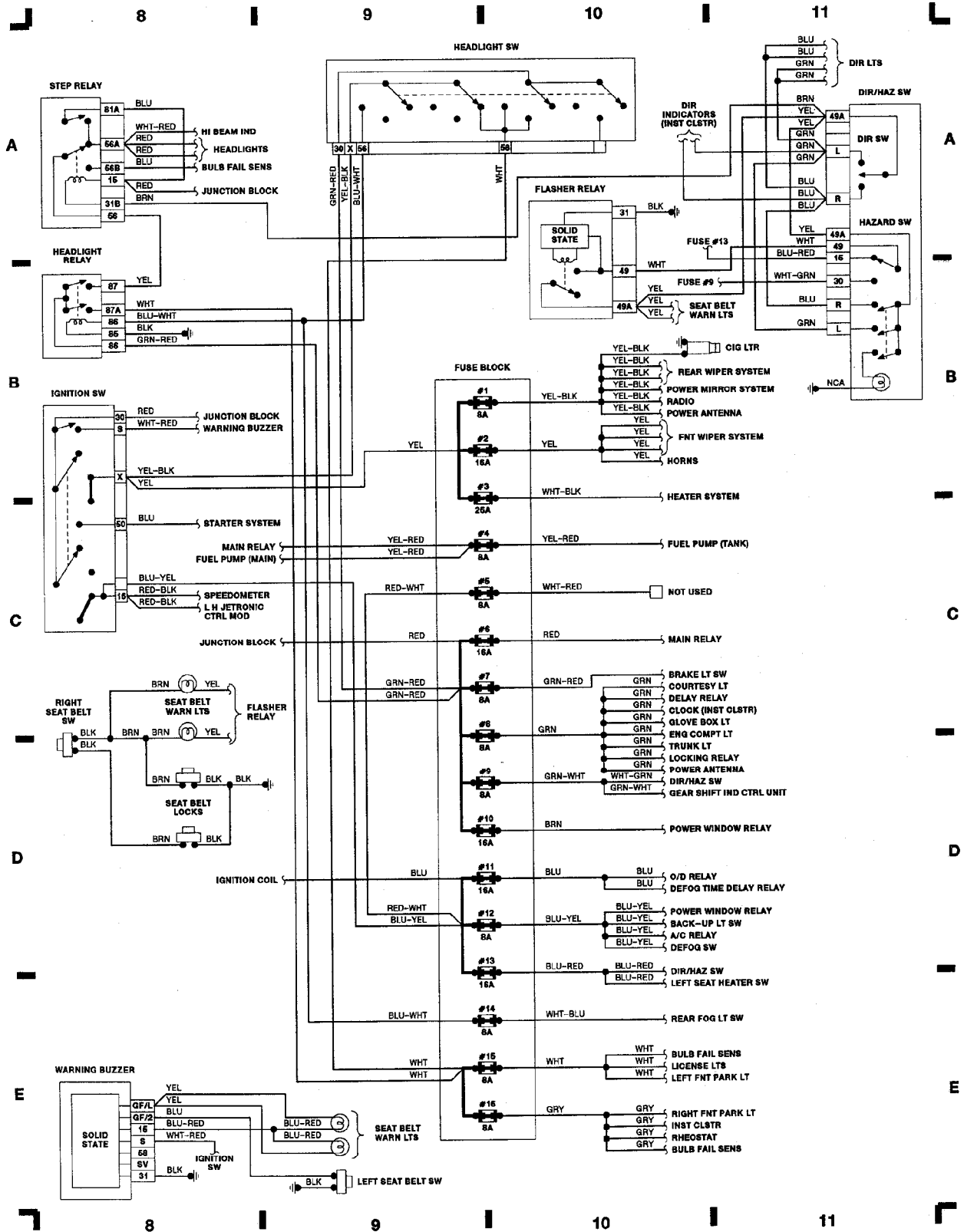
1988 Volvo 240DL/GL



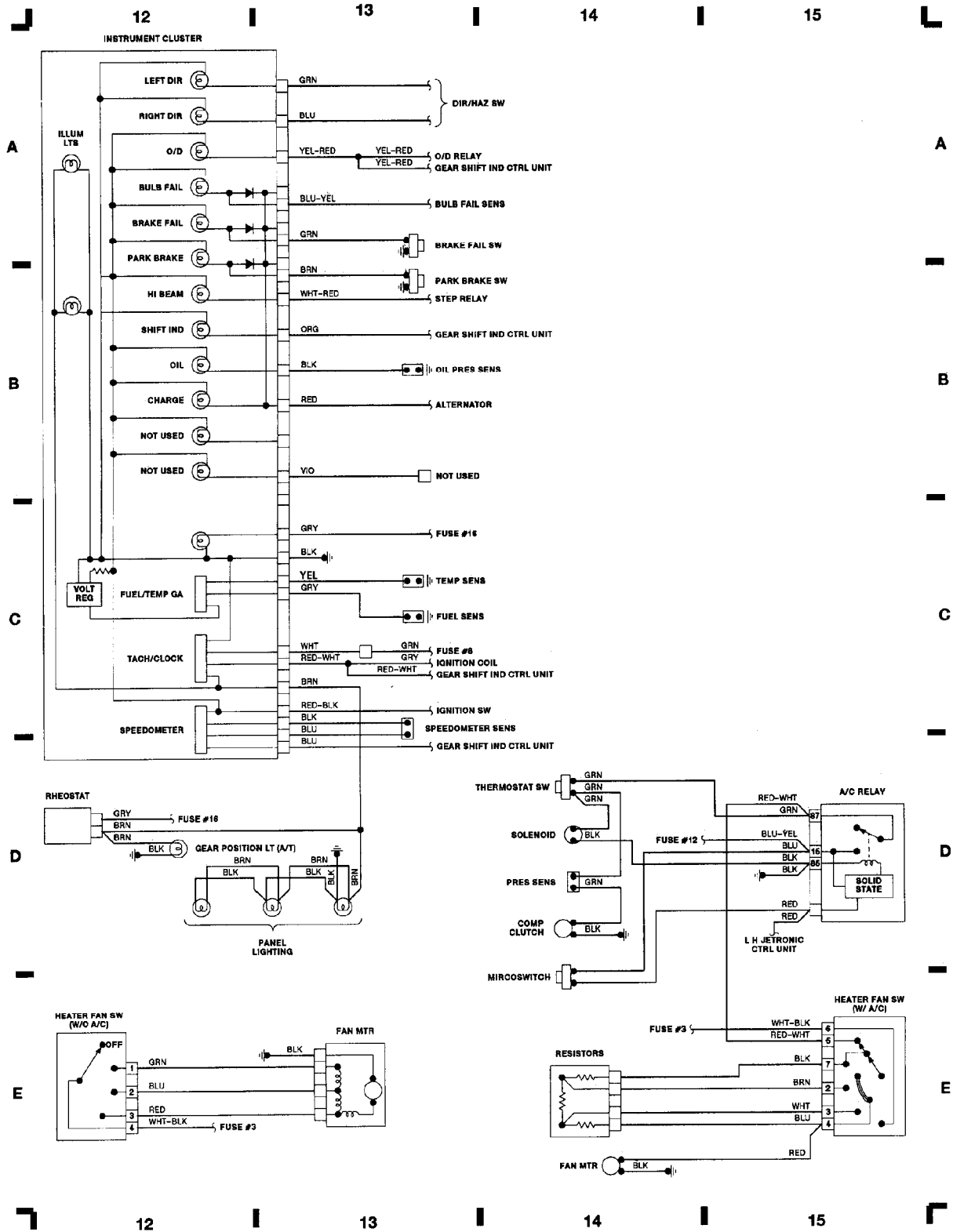
# WIRING DIAGRAMS

## Fig. 3: Fuse Block

1988 Volvo 240DL/GL



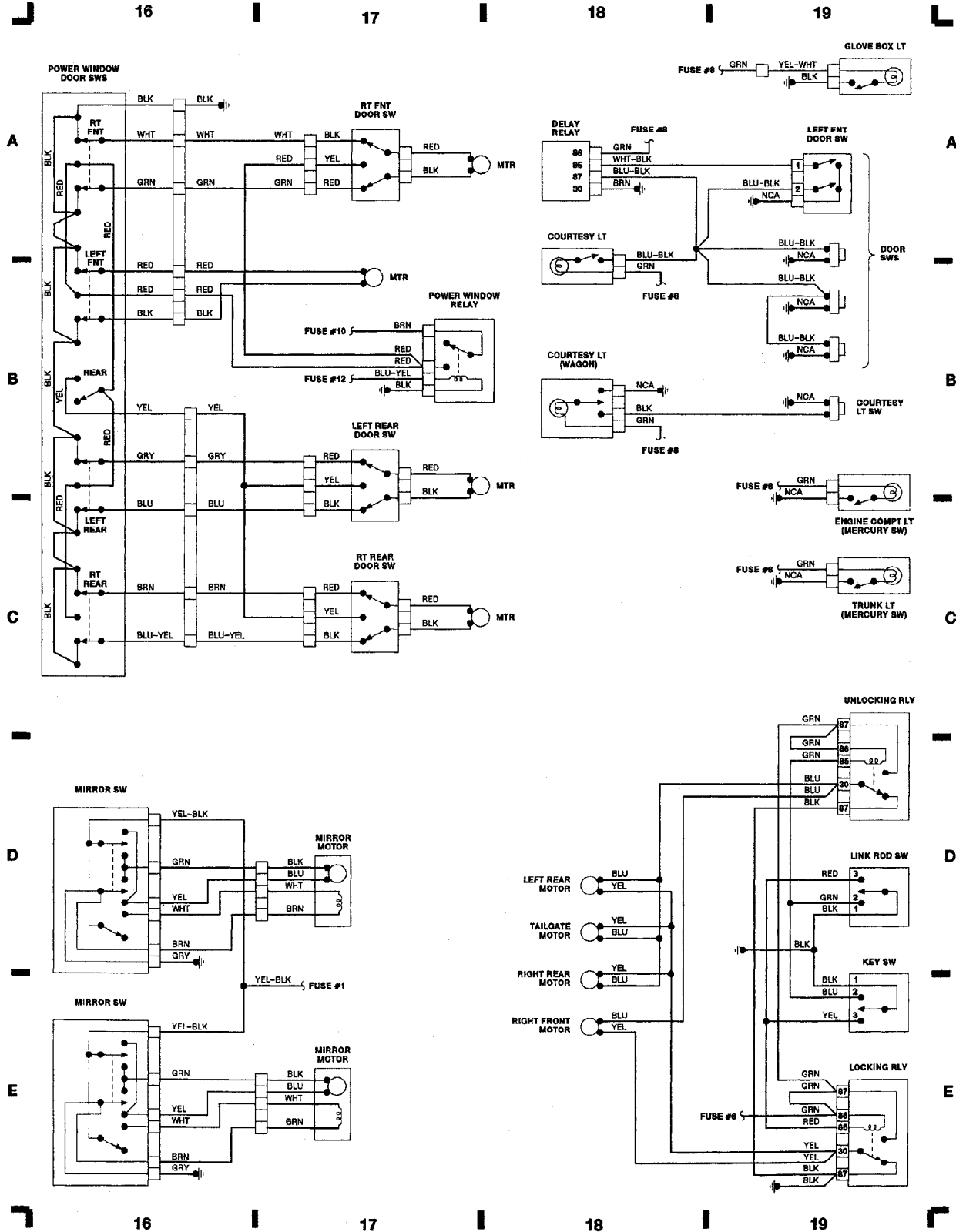
**WIRING DIAGRAMS**  
**Fig. 4: A/C & Heating & Instrument Panel**  
 1988 Volvo 240DL/GL



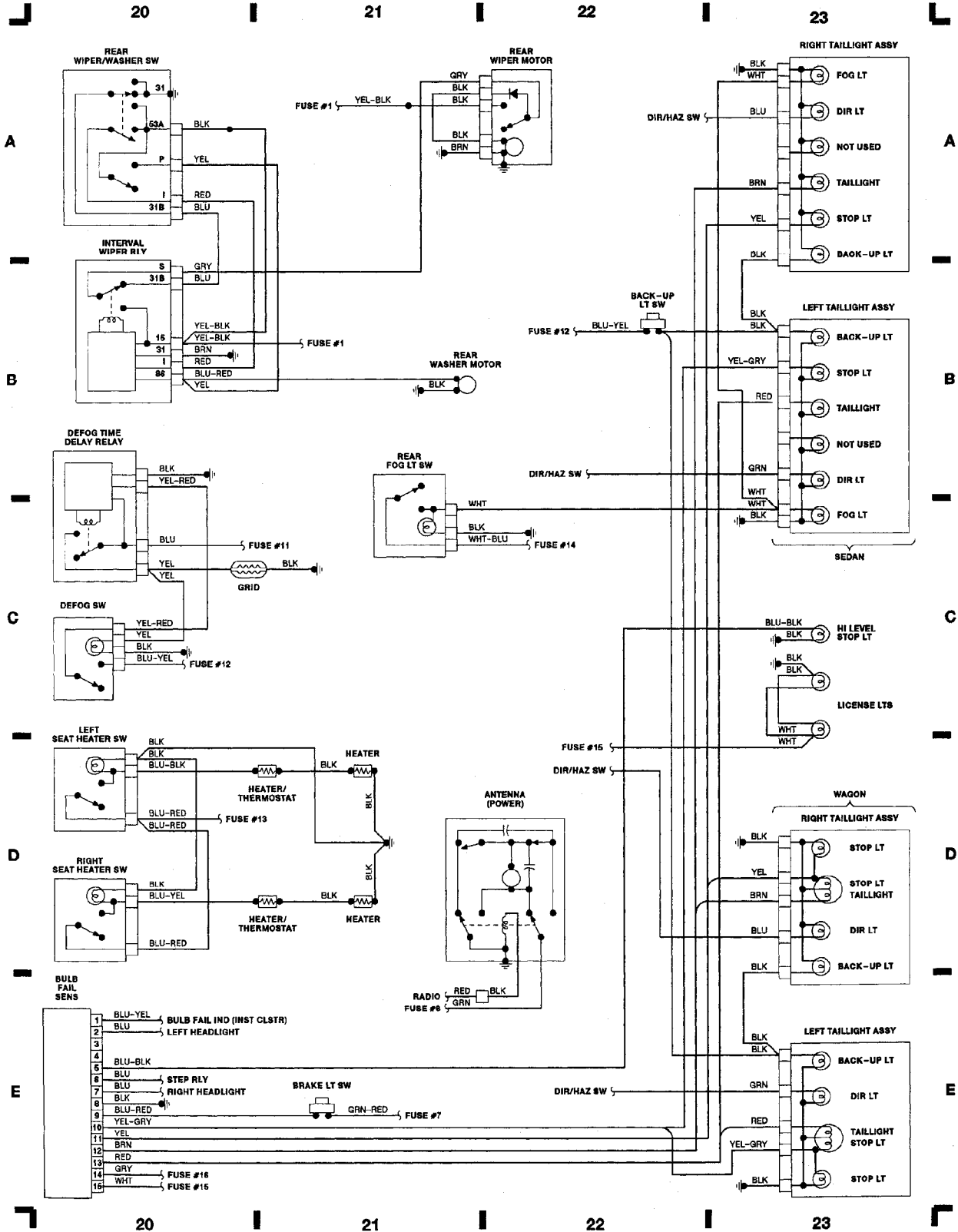
# WIRING DIAGRAMS

## Fig. 5: Accessories

1988 Volvo 240DL/GL



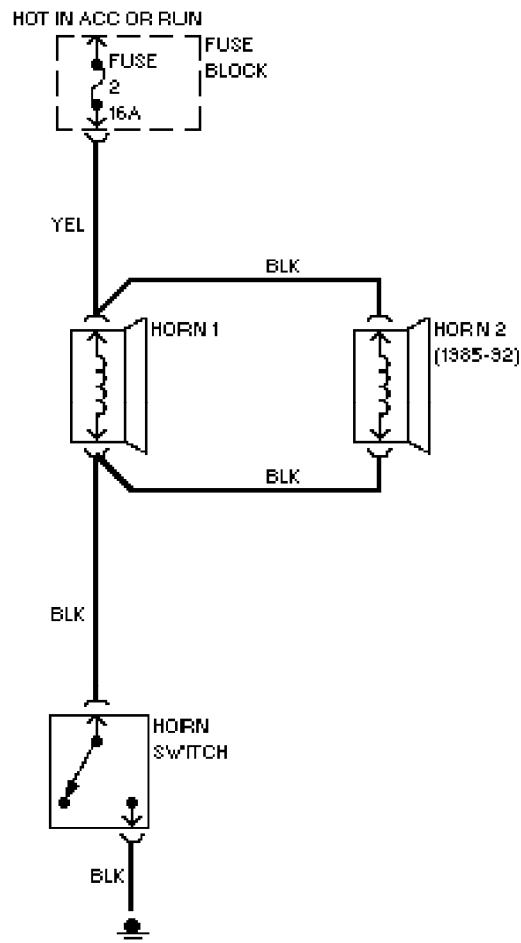
**WIRING DIAGRAMS**  
**Fig. 6: Passenger Compartment & Taillights**  
 1988 Volvo 240DL/GL



# SYSTEM WIRING DIAGRAMS

## Horn Circuit

1988 Volvo 240DL/GL

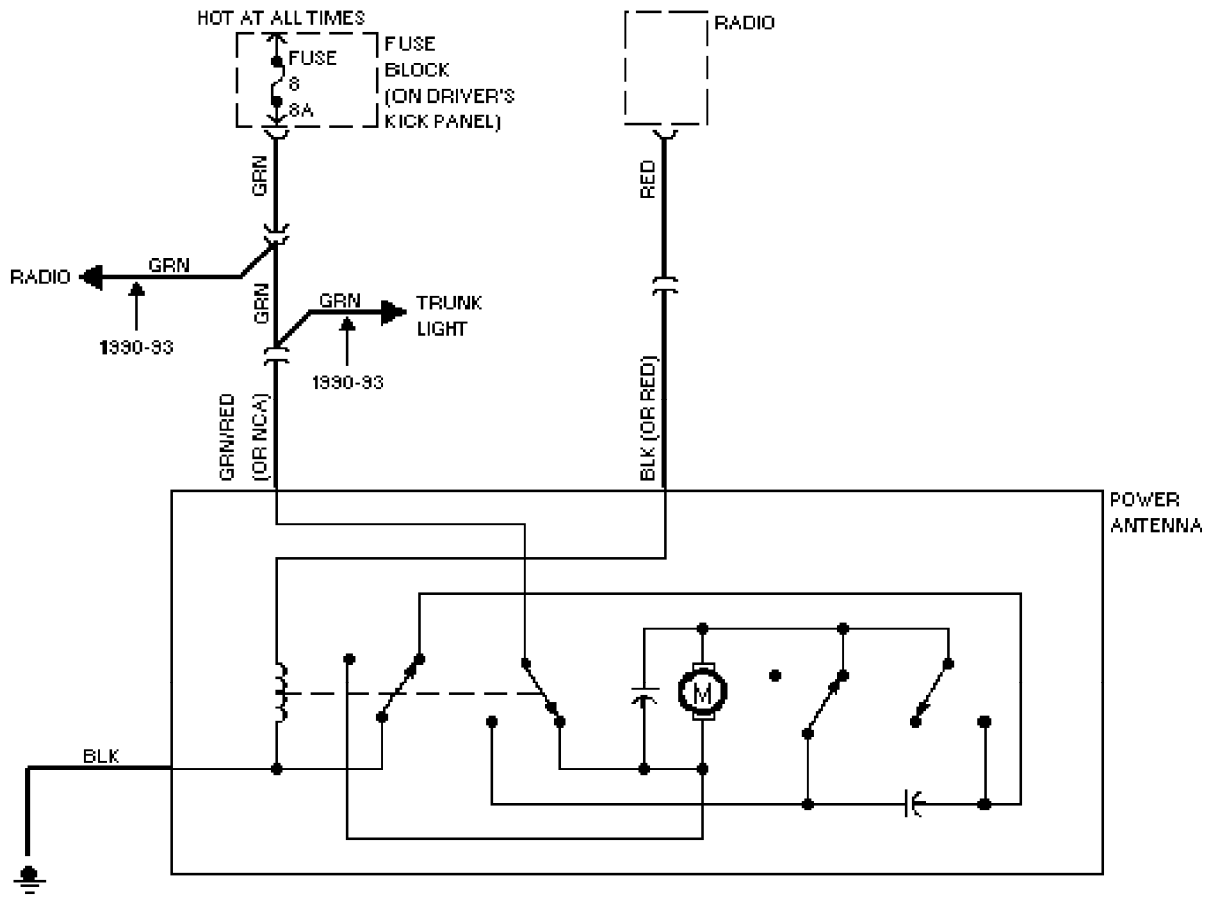


103960

# SYSTEM WIRING DIAGRAMS

## Power Antenna Circuit

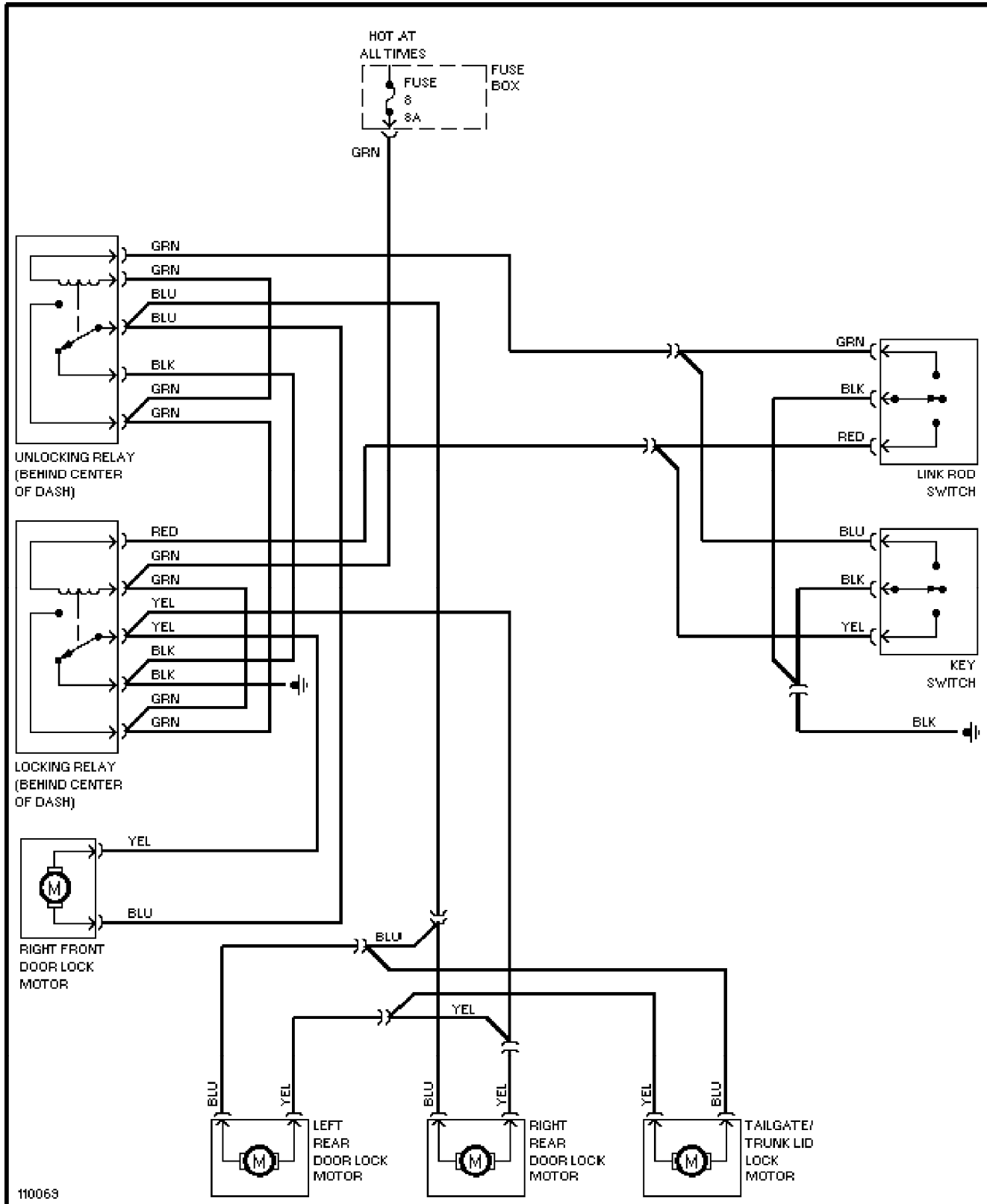
1988 Volvo 240DL/GL



# SYSTEM WIRING DIAGRAMS

## Power Door Lock Circuit

1988 Volvo 240DL/GL

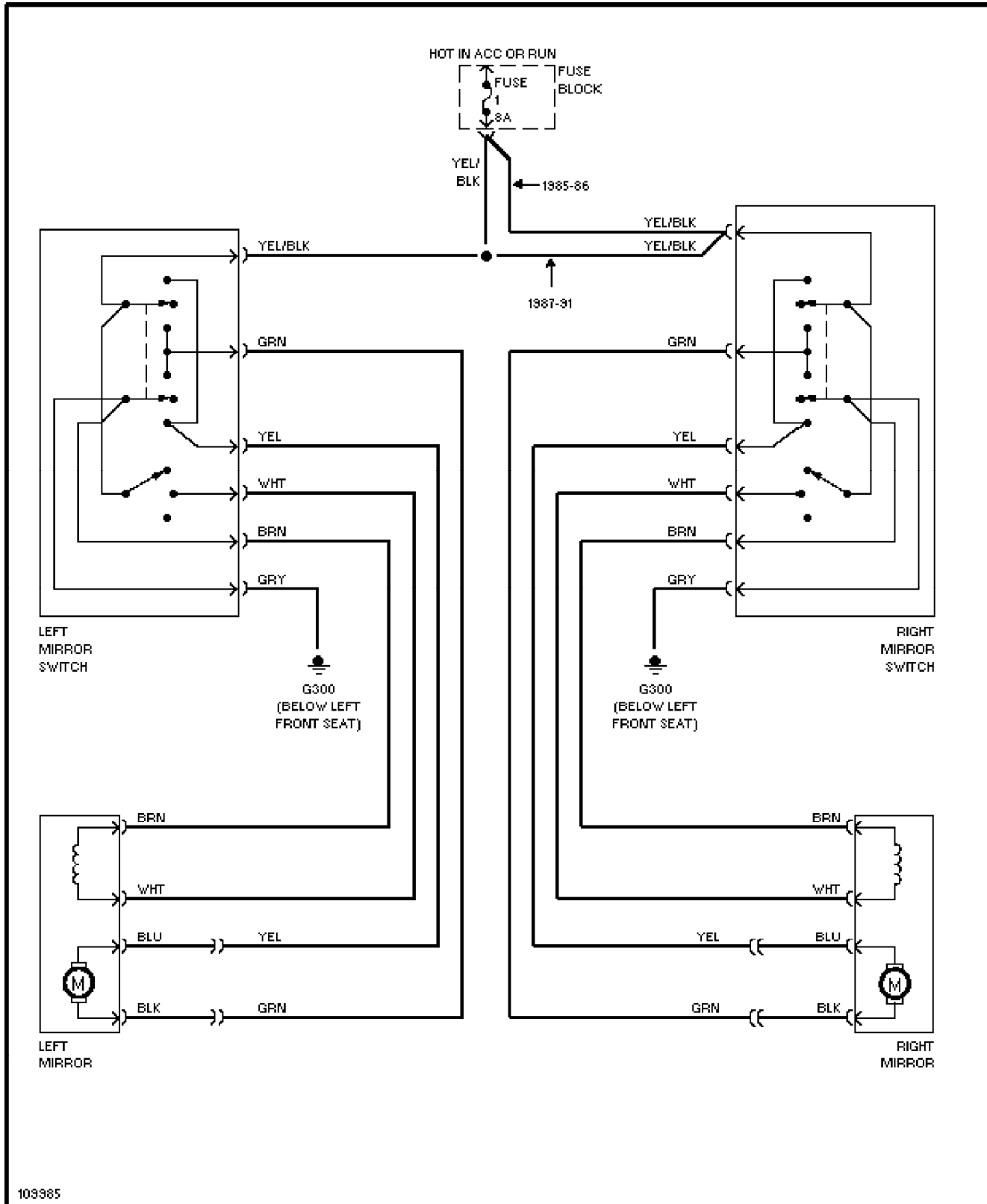




# SYSTEM WIRING DIAGRAMS

## Power Mirror Circuit

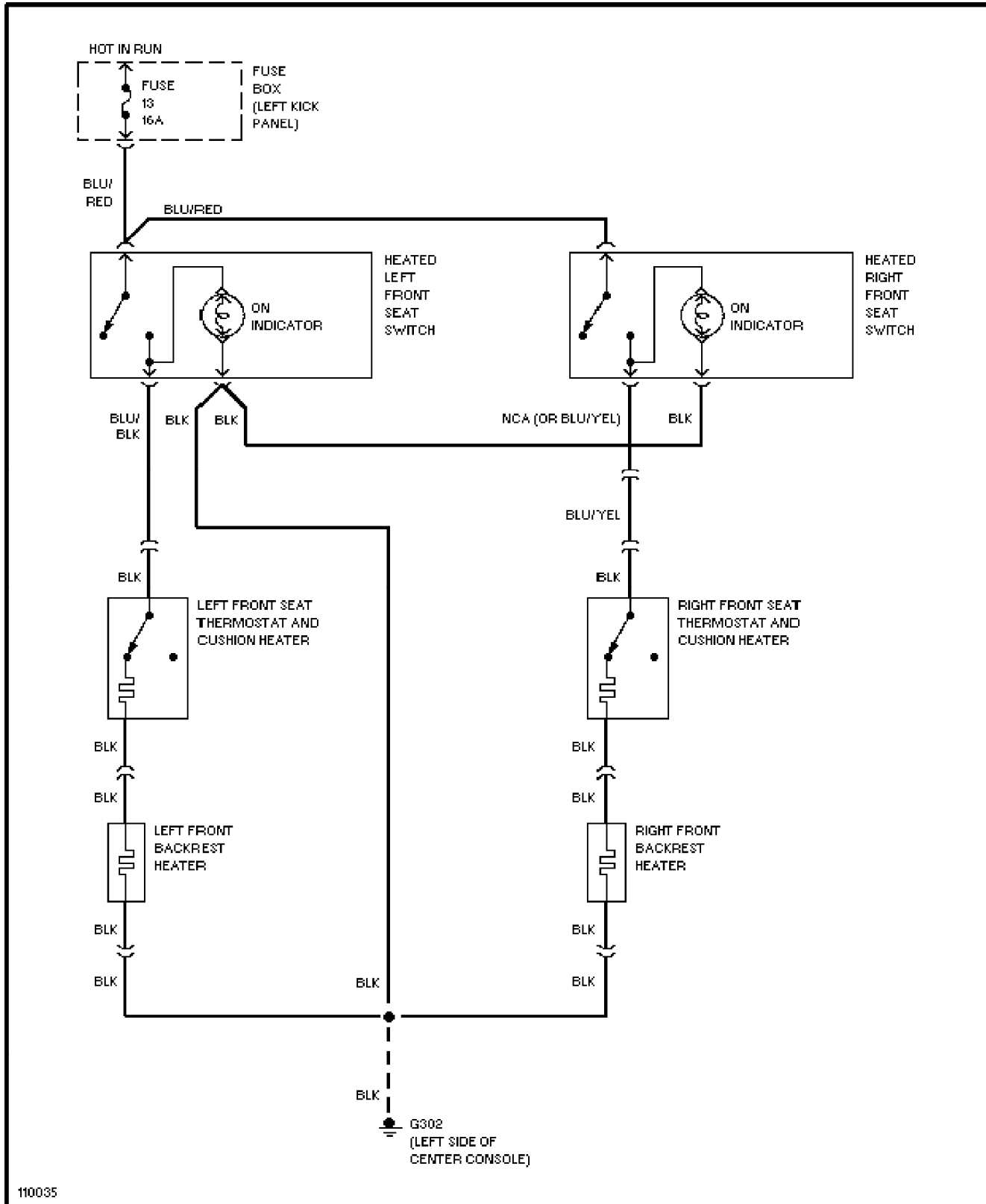
1988 Volvo 240DL/GL



# SYSTEM WIRING DIAGRAMS

## Heated Seats Circuit

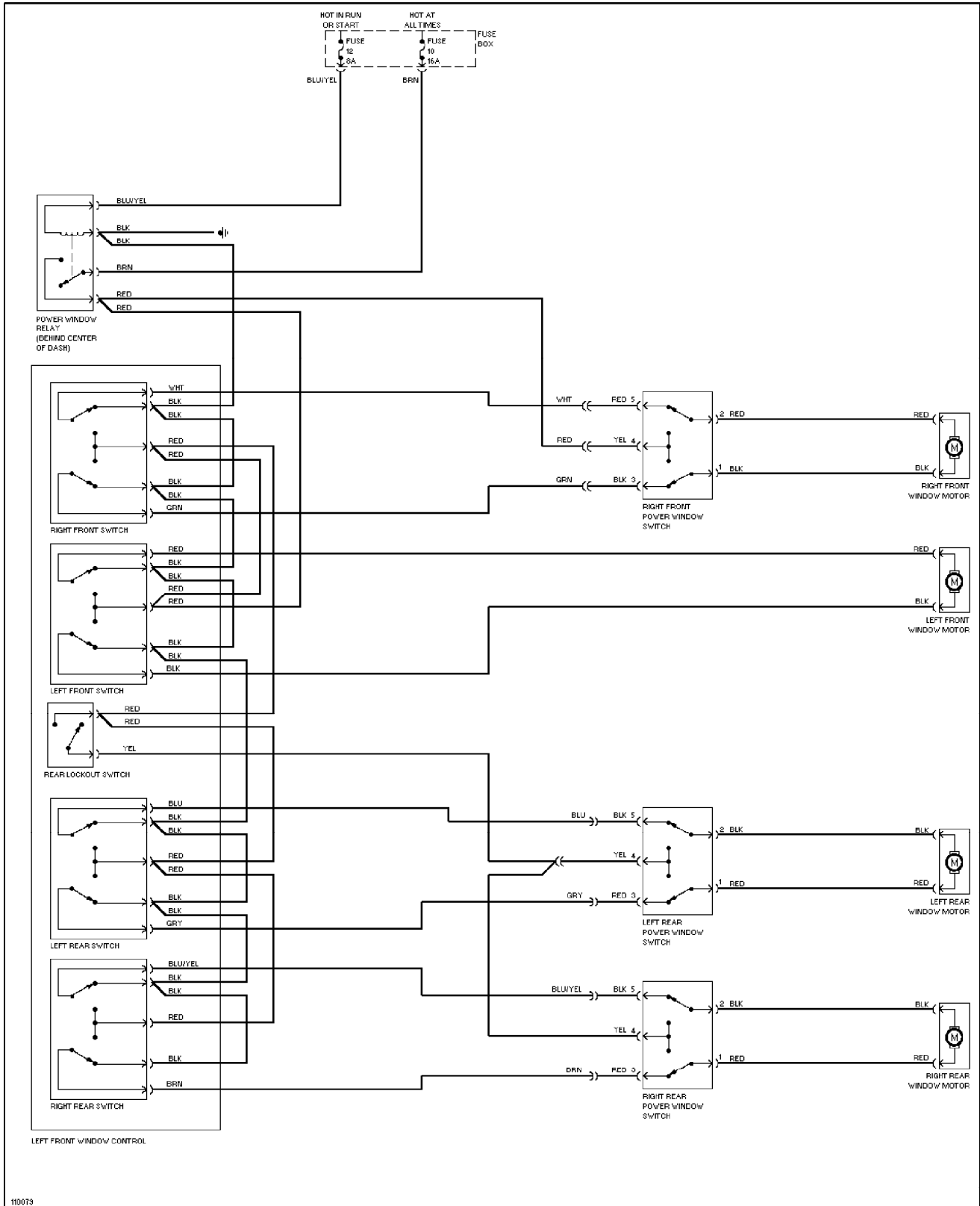
1988 Volvo 240DL/GL



# SYSTEM WIRING DIAGRAMS

## Power Window Circuit

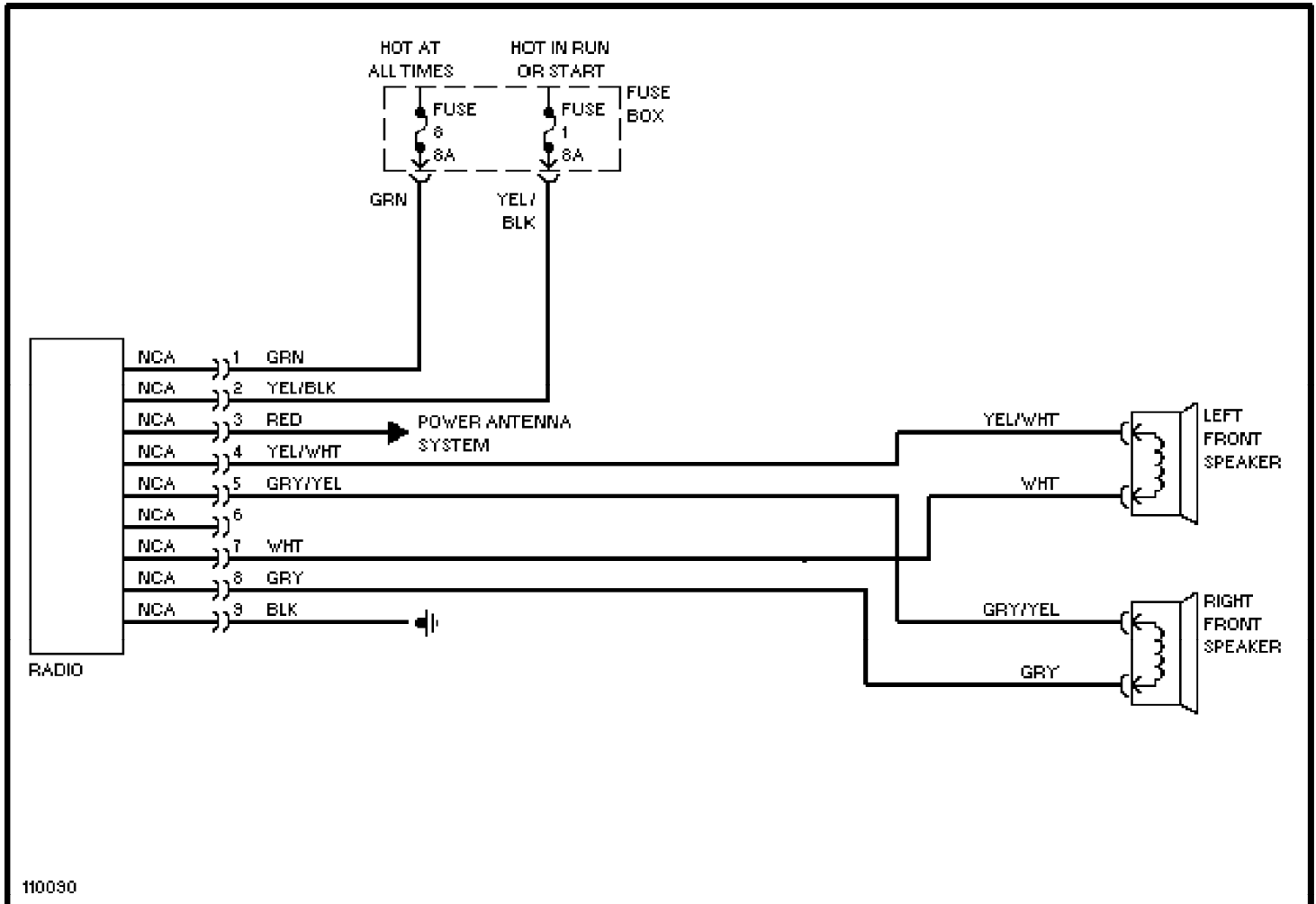
### 1988 Volvo 240DL/GL



# SYSTEM WIRING DIAGRAMS

## Radio Circuits

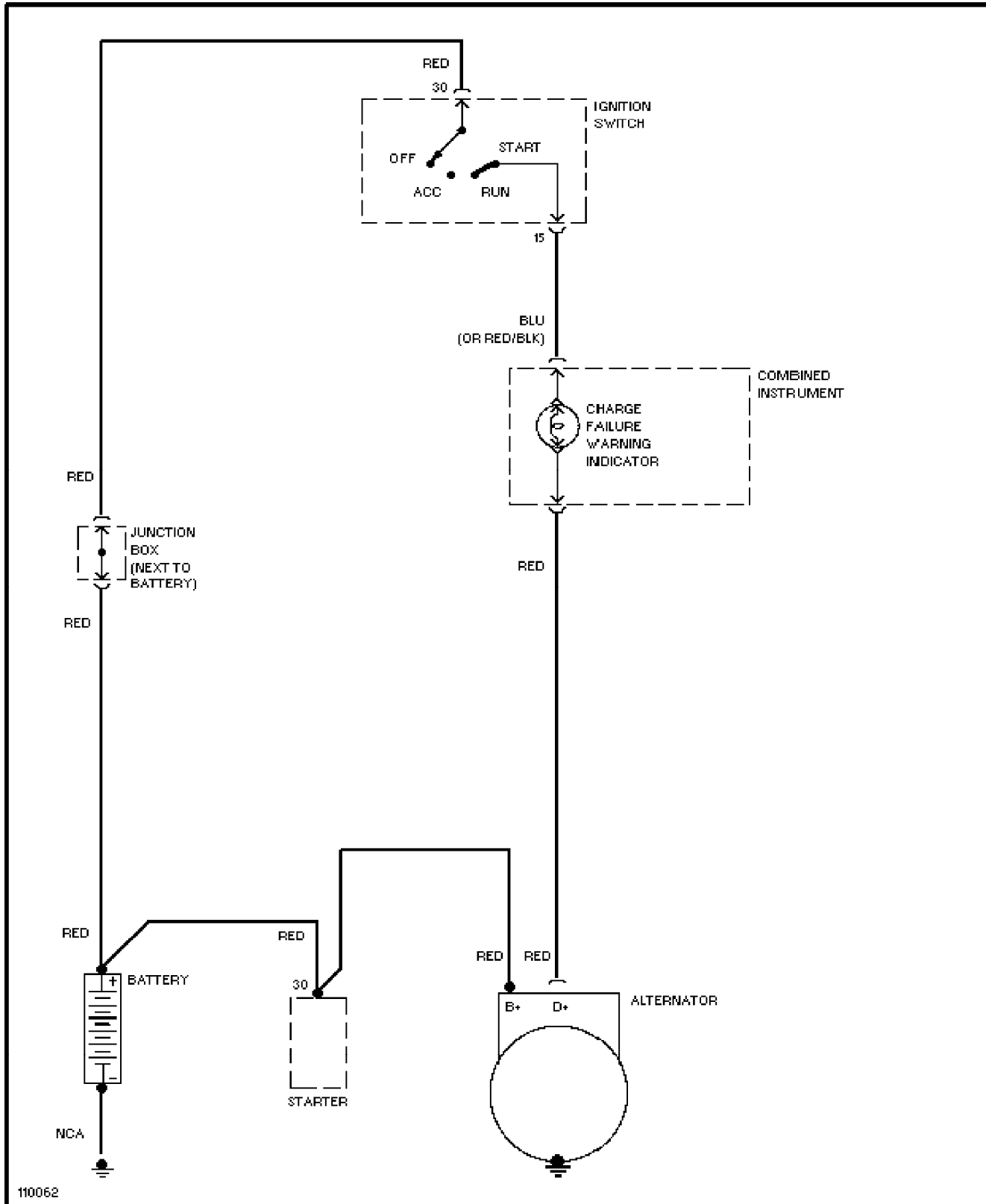
1988 Volvo 240DL/GL



# SYSTEM WIRING DIAGRAMS

## Charging Circuit

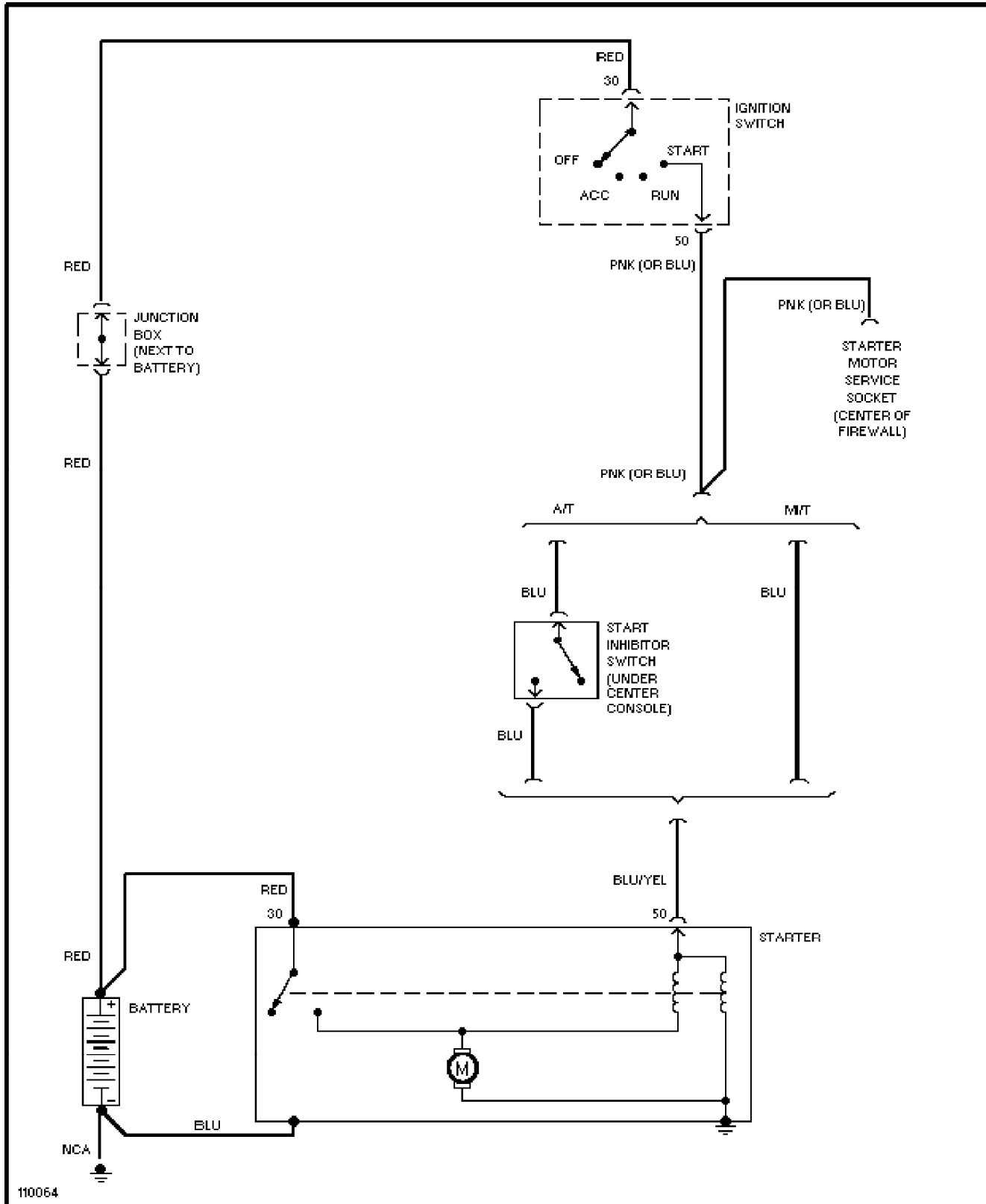
1988 Volvo 240DL/GL



# SYSTEM WIRING DIAGRAMS

## Starting Circuit

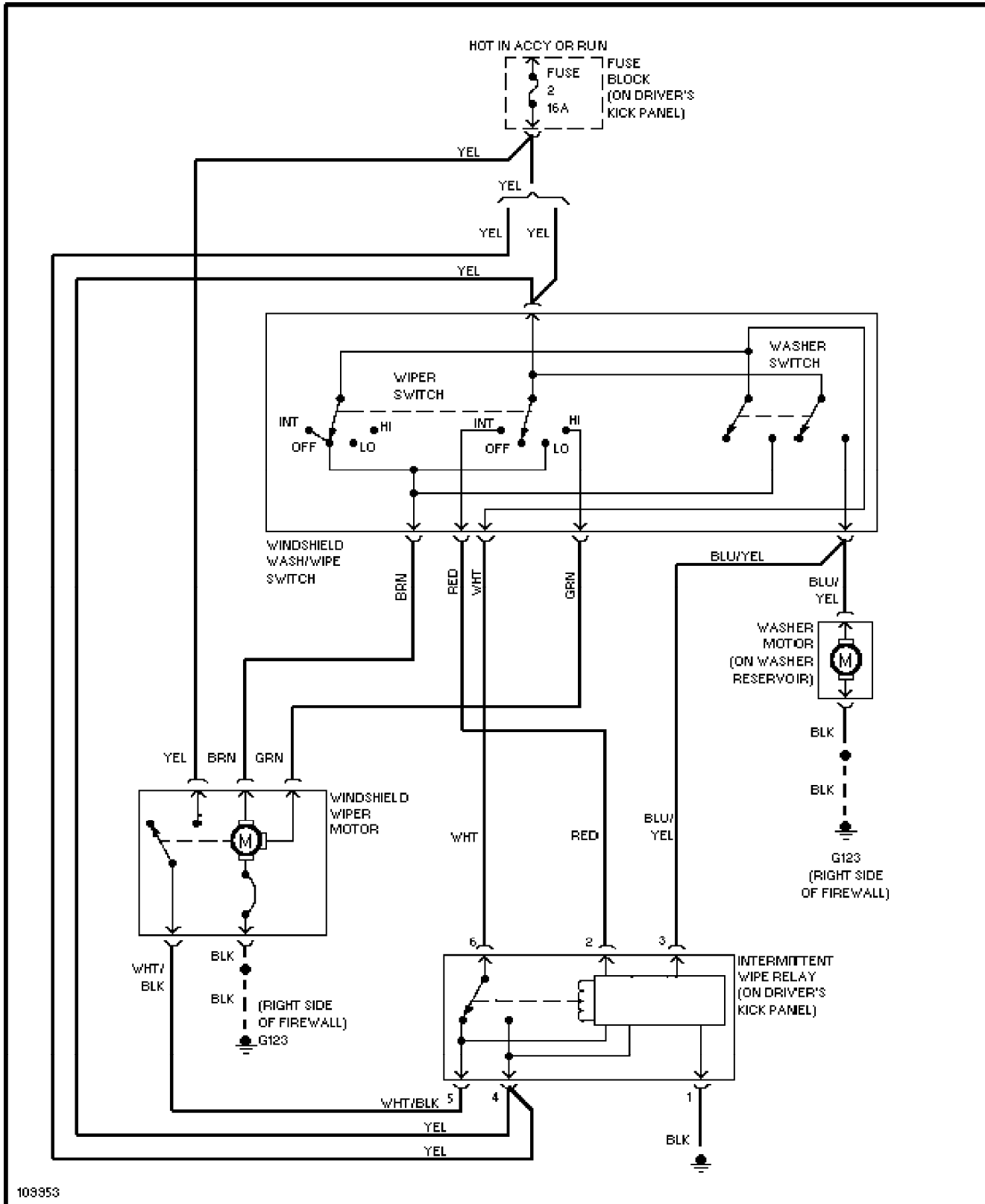
1988 Volvo 240DL/GL



# SYSTEM WIRING DIAGRAMS

## Front Washer/Wiper Circuit

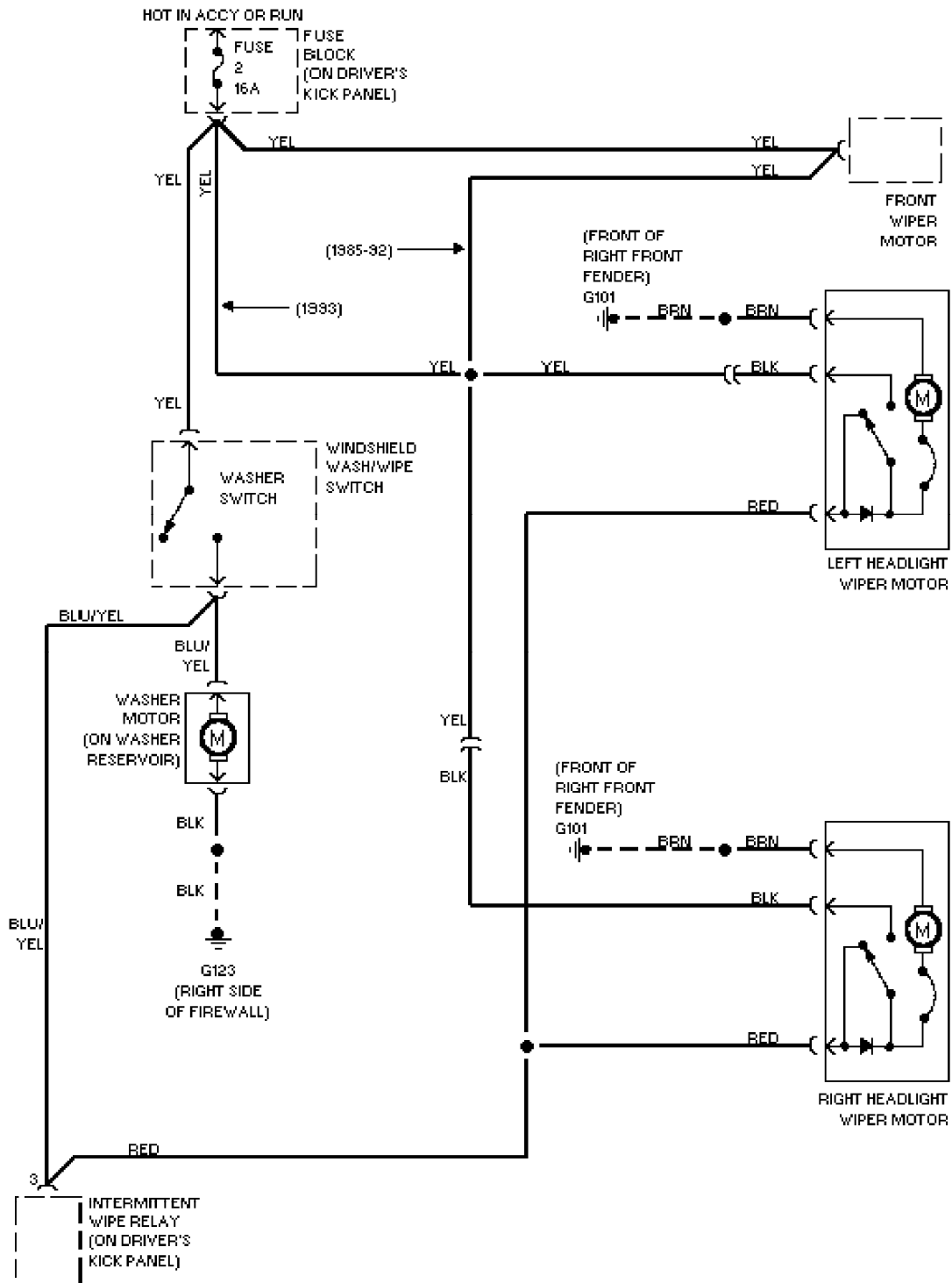
1988 Volvo 240DL/GL



# SYSTEM WIRING DIAGRAMS

## Headlight Washer/Wiper Circuit

1988 Volvo 240DL/GL

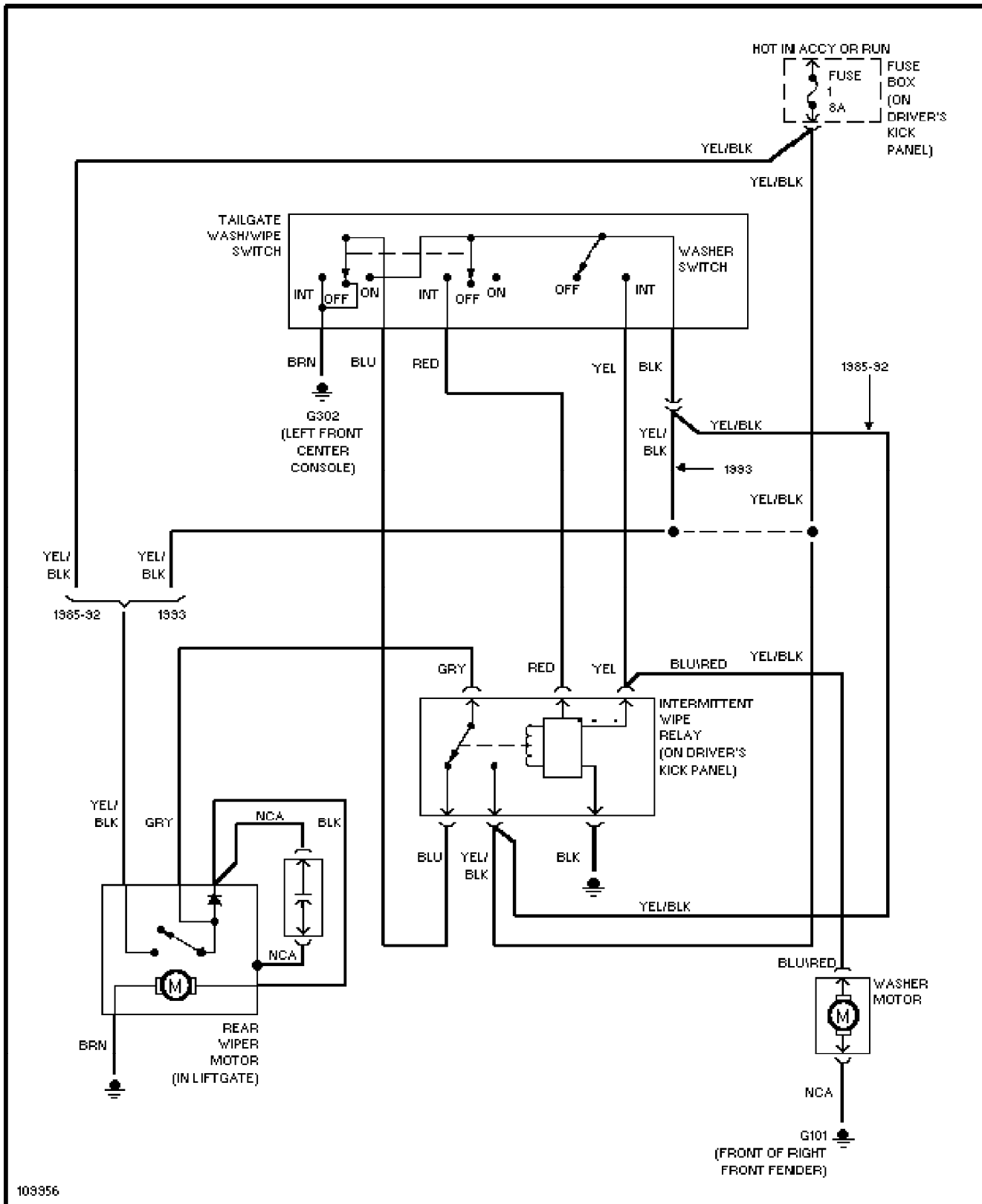




# SYSTEM WIRING DIAGRAMS

## Rear Washer/Wiper W/ Intermittent Relay Circuit

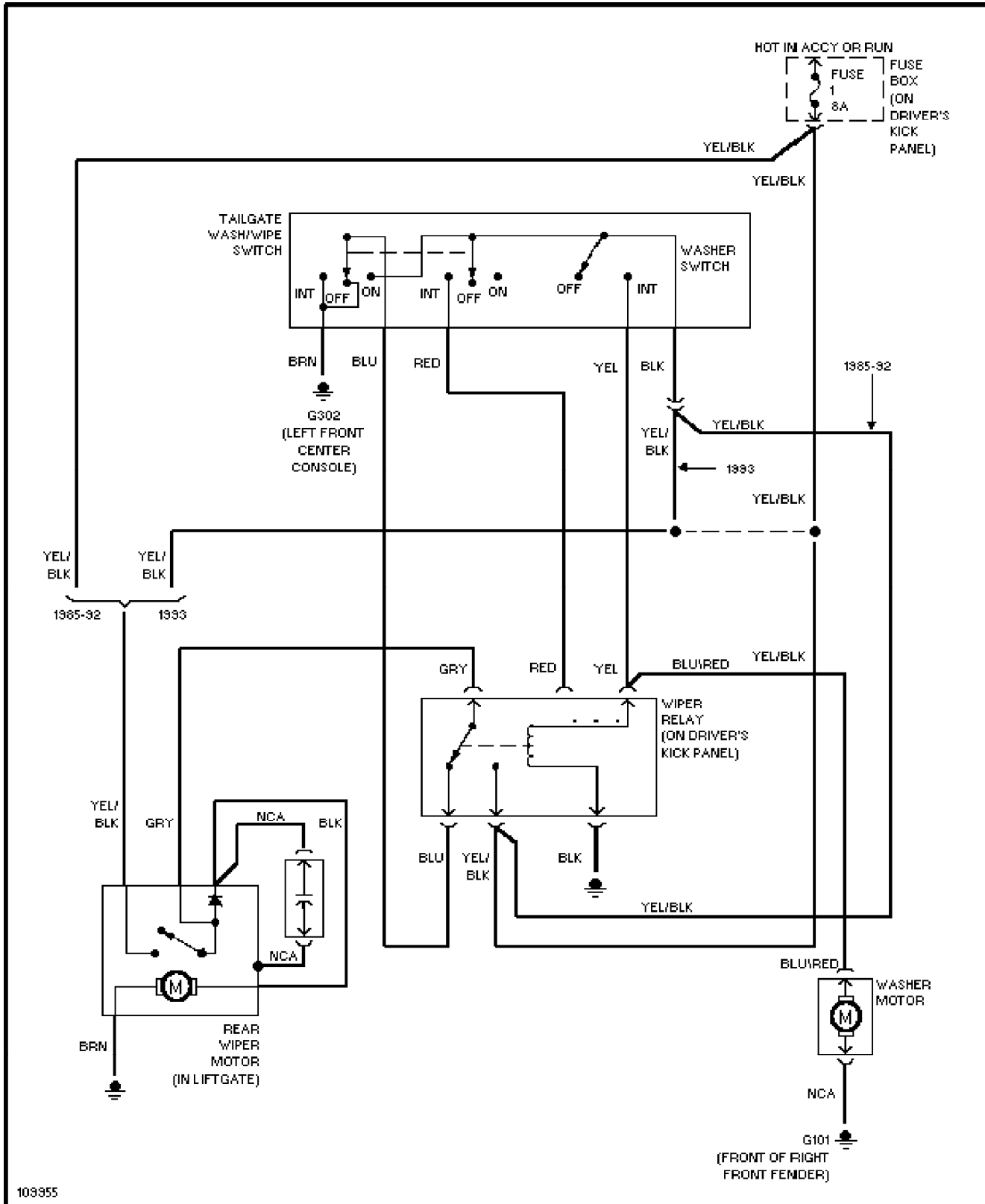
### 1988 Volvo 240DL/GL



# SYSTEM WIRING DIAGRAMS

## Rear Washer/Wiper W/O Intermittent Relay Circuit

### 1988 Volvo 240DL/GL

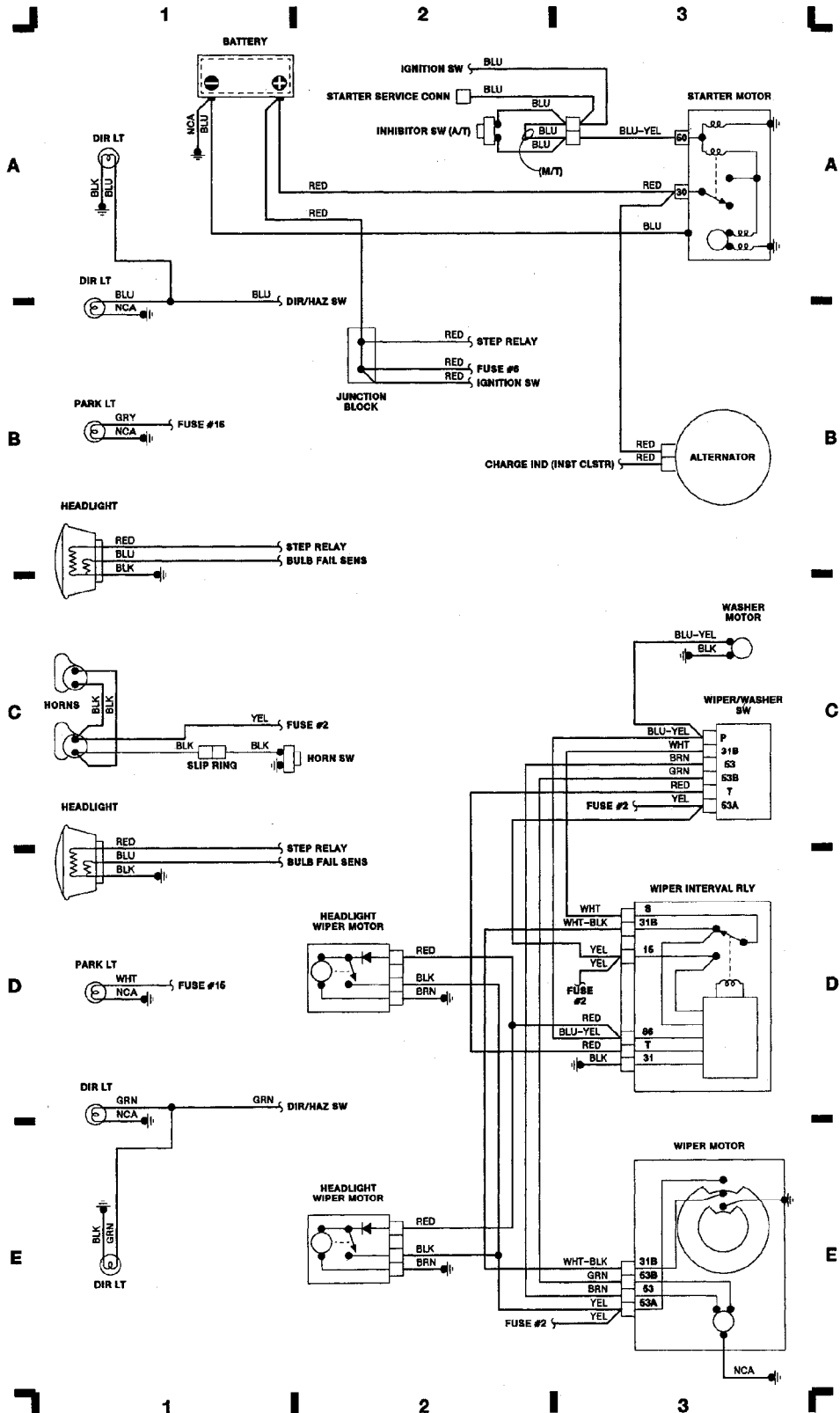


# WIRING DIAGRAMS

Fig. 1: Engine Compartment & Headlights  
1988 Volvo 240DL/GL

**COMPONENT LOCATOR:**

A/C SYSTEM	.....	D 14-15
ALTERNATOR	.....	B 3
BACK-UP LIGHT SWITCH	.....	B 22
BATTERY	.....	A 1
BRAKE FAIL SWITCH	.....	A 13
BRAKE LIGHT SWITCH	.....	E 21
BULB FAIL SENS	.....	E 20
CIG LIGHTER	.....	B 10-11
COURTESY LIGHTS	.....	B 18
DEFOG SWITCH	.....	C 20
DELAY RELAY	.....	A 18
DIR/HAZ SWITCH	.....	A-B 11
DOOR SWITCHES	.....	A-B 19
ENGINE COMPT LT	.....	B-C 19
FLASHER RELAY	.....	B 10
FUEL PUMPS (MAIN & TANK)	.....	C 4
FUEL SENS	.....	C 13
FUSE BLOCK	.....	B-E 9-10
GEAR SHIFT IND CONTROL	.....	D 4
IGNITION SWITCH	.....	A 2
IGNITION COIL	.....	D 7
IGN SYS CTRL UNIT	.....	B-C 8
IGN SYS CTRL UNIT	.....	C 7
INHIBITOR SWITCH	.....	A 2
INSTRUMENT CLUSTER	.....	A-C 12-13
JUNCTION BLOCK	.....	B 2
LH JETRONIC CTRL MOD	.....	A-B 4
LOCKING RELAYS	.....	C-E 18-19
MAIN RELAY	.....	B-C 4
OIL PRES SWITCH	.....	B 13
O/D RELAY	.....	E 4
PARK BRAKE SWITCH	.....	A-B 13
POWER ANTENNA	.....	D 21-22
POWER MIRROR SYSTEM	.....	D-E 16-17
POWER WINDOW SYSTEM	.....	A-C 16-17
REAR FOG LIGHT SWITCH	.....	B-D 21
RHEOSTAT	.....	D 12
SEAT BELT WARN SYS	.....	C-E 8-9
SEAT HEATER SYSTEM	.....	D 20-21
SPEEDOMETER SENS	.....	C-D 13
STARTER MOTOR	.....	A 3
STEP RELAY	.....	A 8
TEMP SENS	.....	C 13
TIME DELAY RELAY	.....	B-C 20
TRUNK LIGHT	.....	C 19
WIPER/WASHER SYS (FRONT)	.....	C-E 2-3
WIPER/WASHER SYS (REAR)	.....	A-B 20-22



A

B

C

D

E

1

2

3

# WIRING DIAGRAMS

## Fig. 2: Computer Engine Control

### 1988 Volvo 240DL/GL

