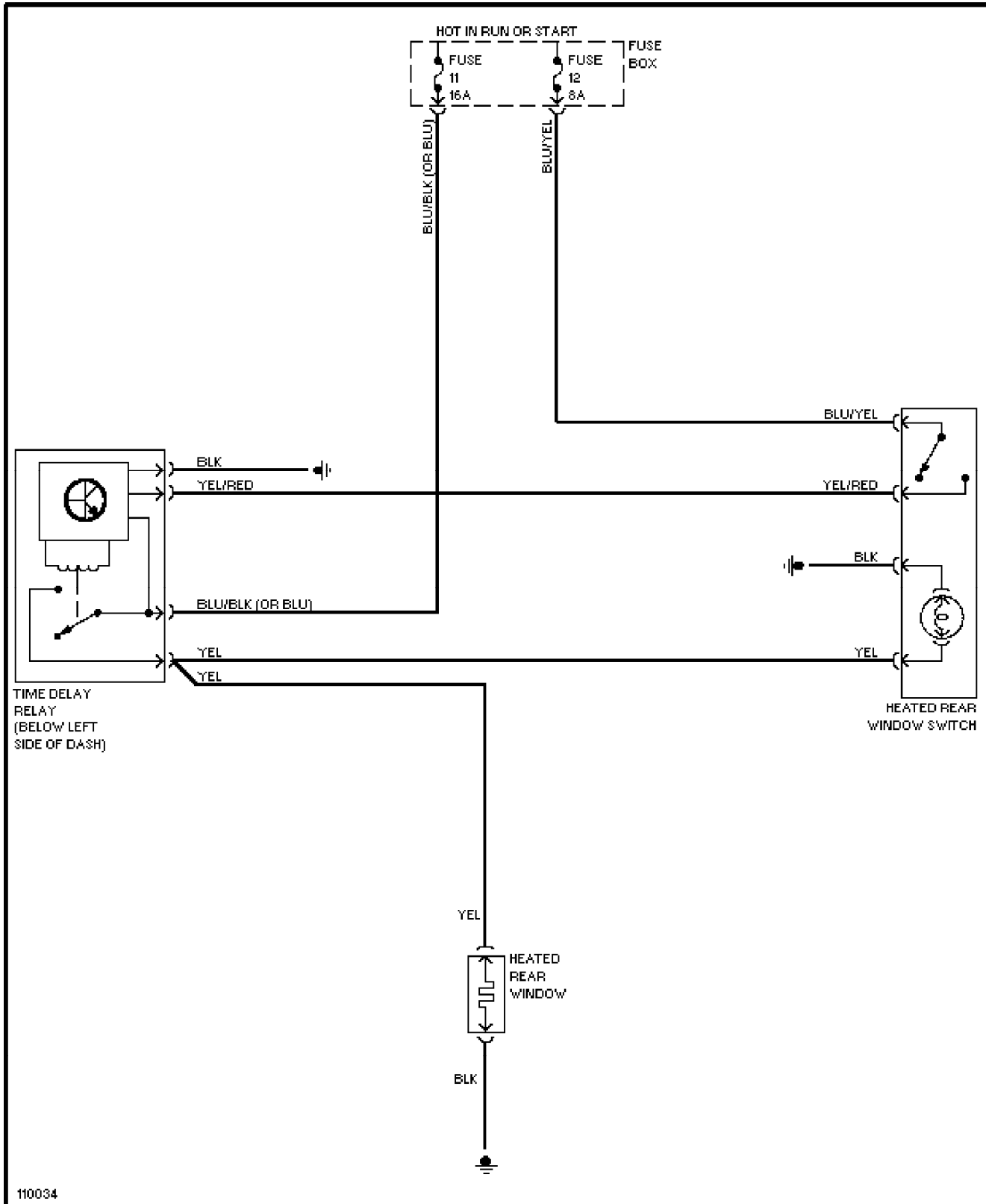


SYSTEM WIRING DIAGRAMS

Rear Defogger Circuit

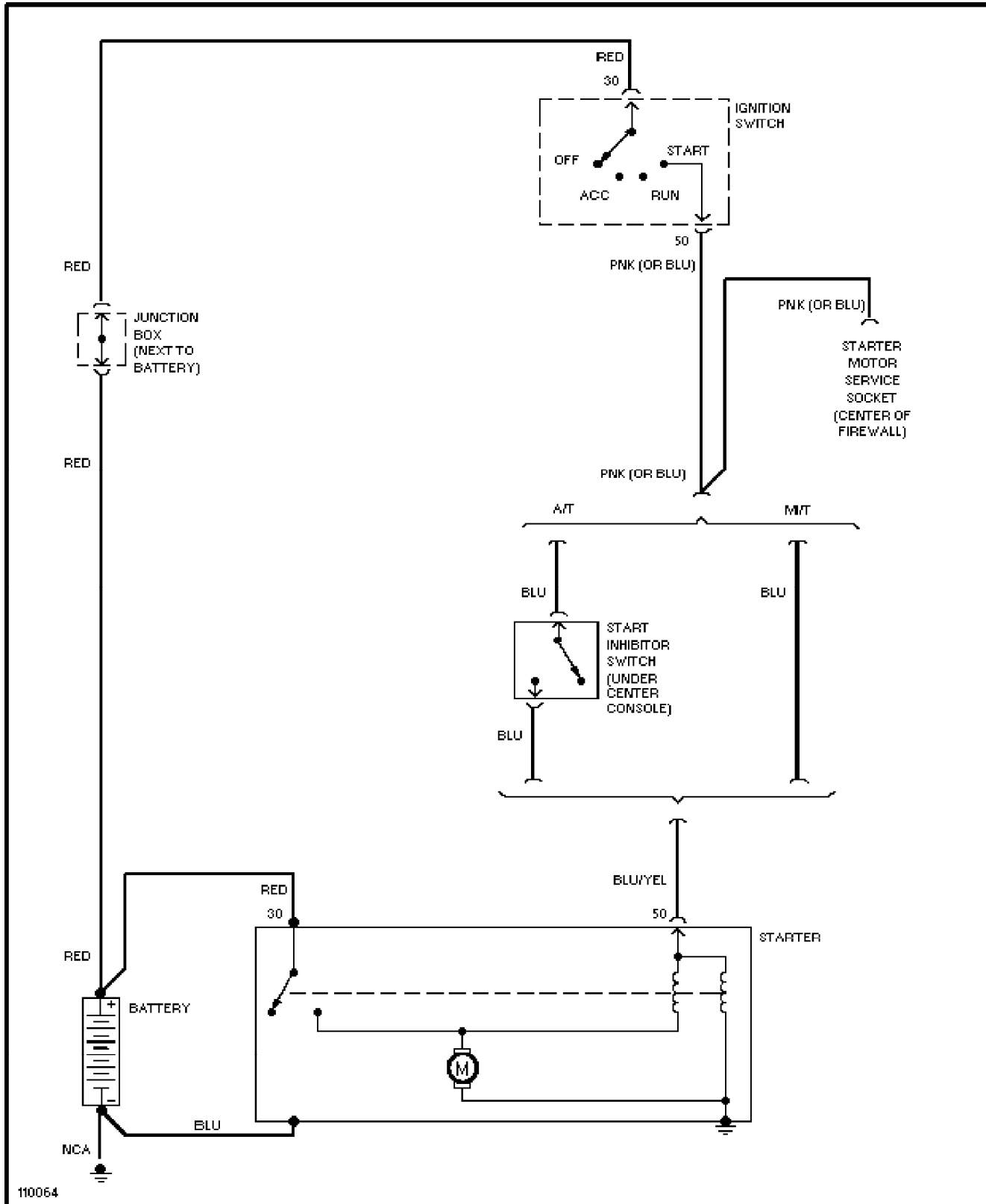
1989 Volvo 240



SYSTEM WIRING DIAGRAMS

Starting Circuit

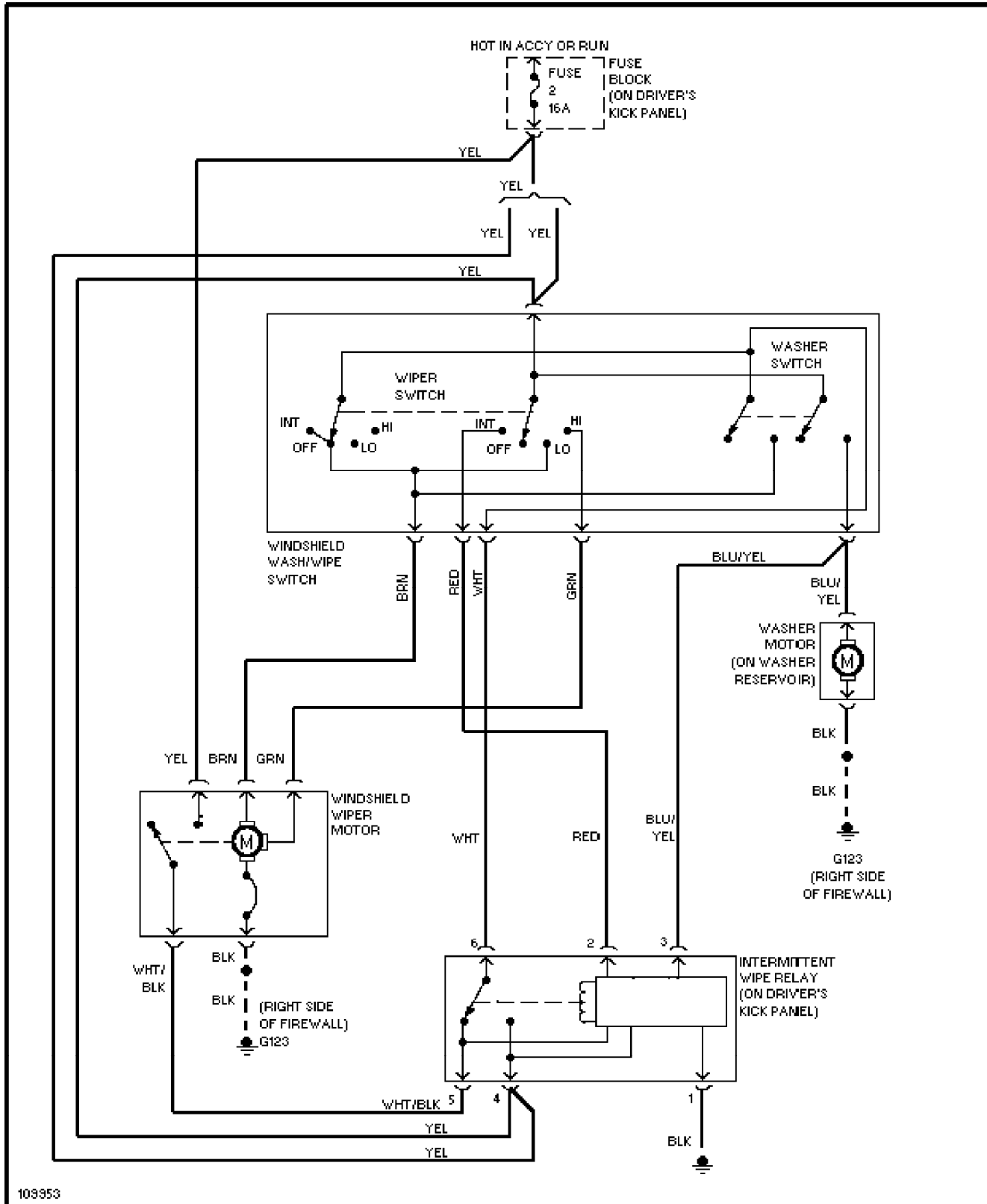
1989 Volvo 240



SYSTEM WIRING DIAGRAMS

Front Washer/Wiper Circuit

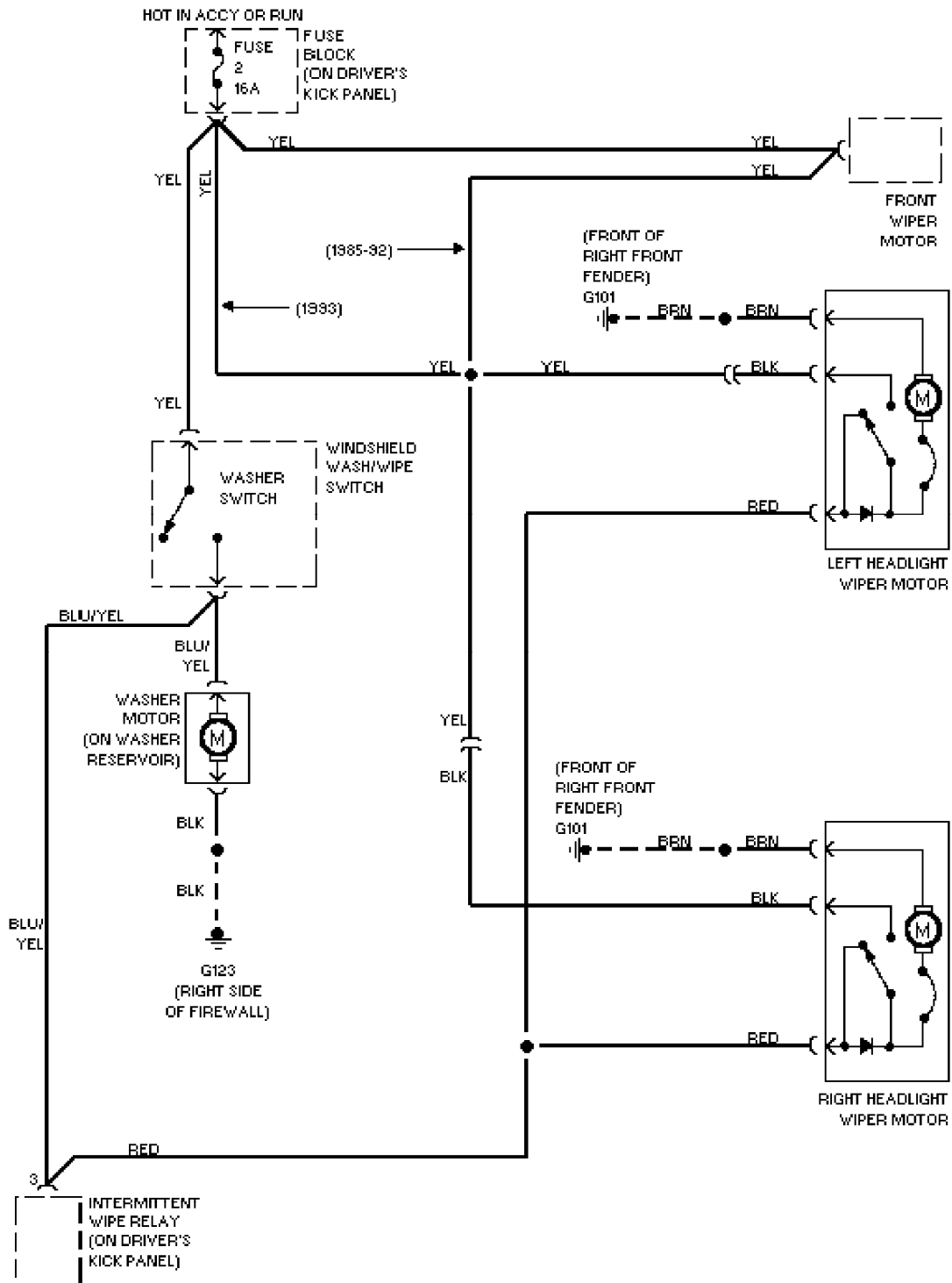
1989 Volvo 240



SYSTEM WIRING DIAGRAMS

Headlight Washer/Wiper Circuit

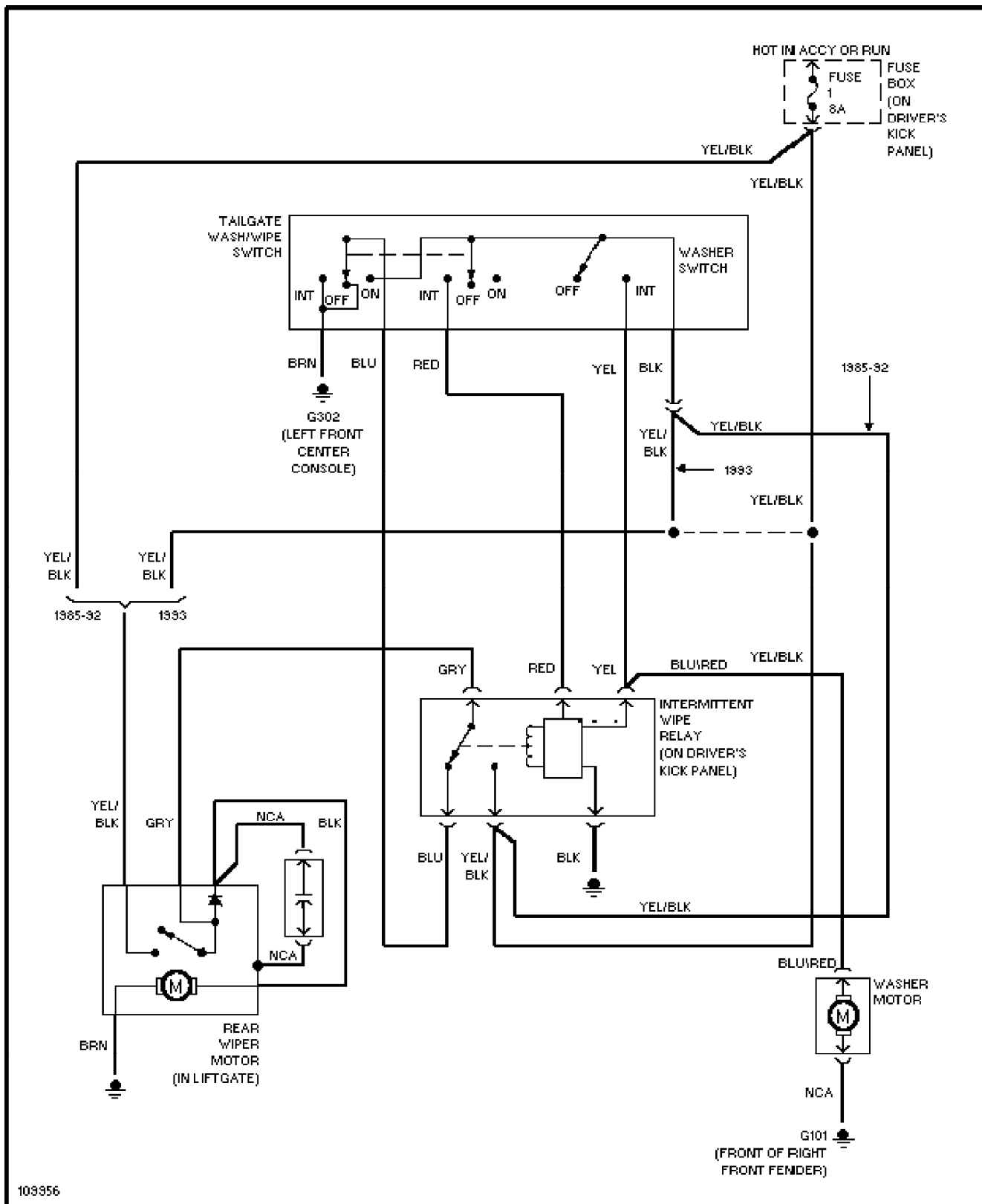
1989 Volvo 240



SYSTEM WIRING DIAGRAMS

Rear Washer/Wiper W/ Intermittent Relay Circuit

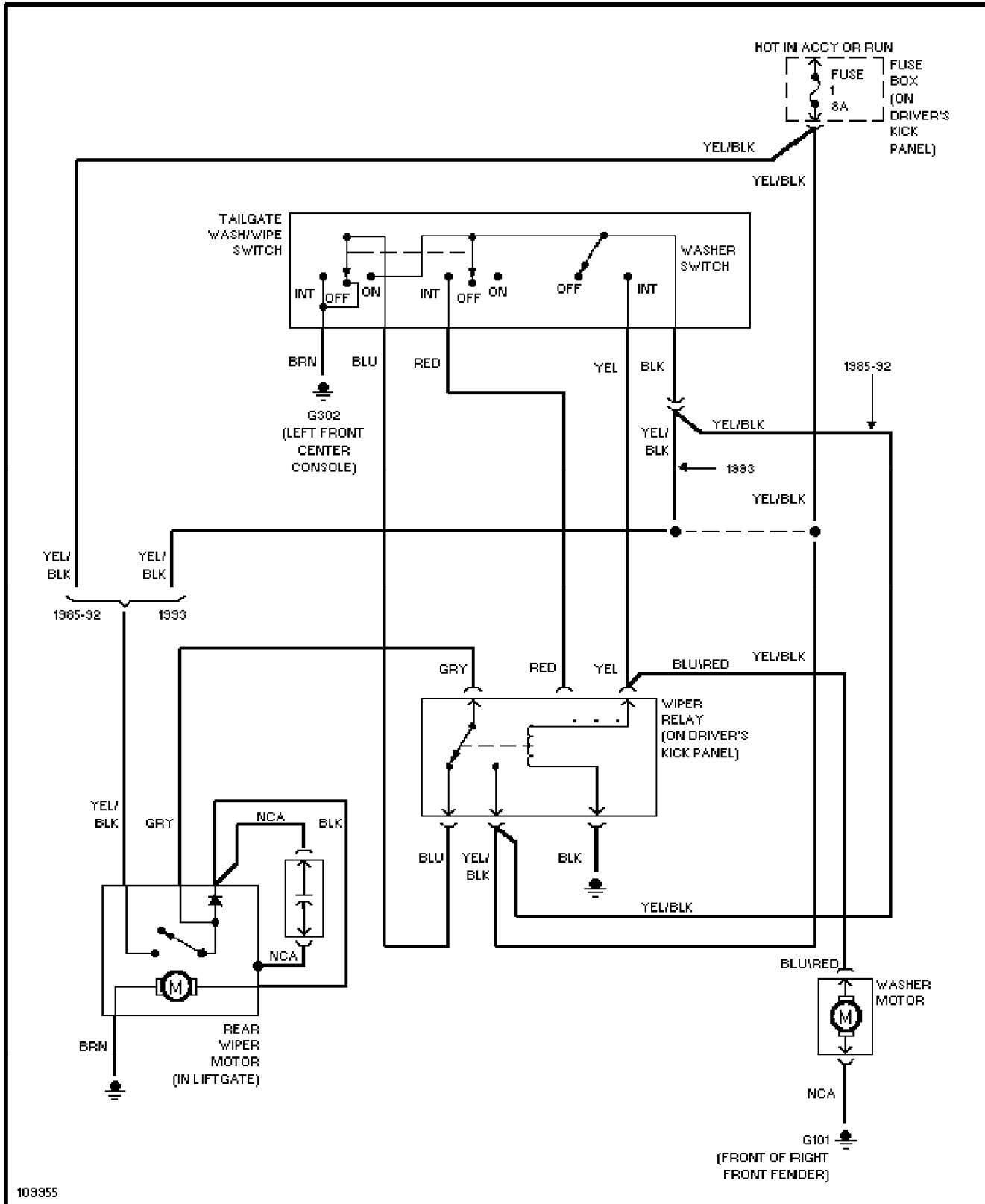
1989 Volvo 240



SYSTEM WIRING DIAGRAMS

Rear Washer/Wiper W/O Intermittent Relay Circuit

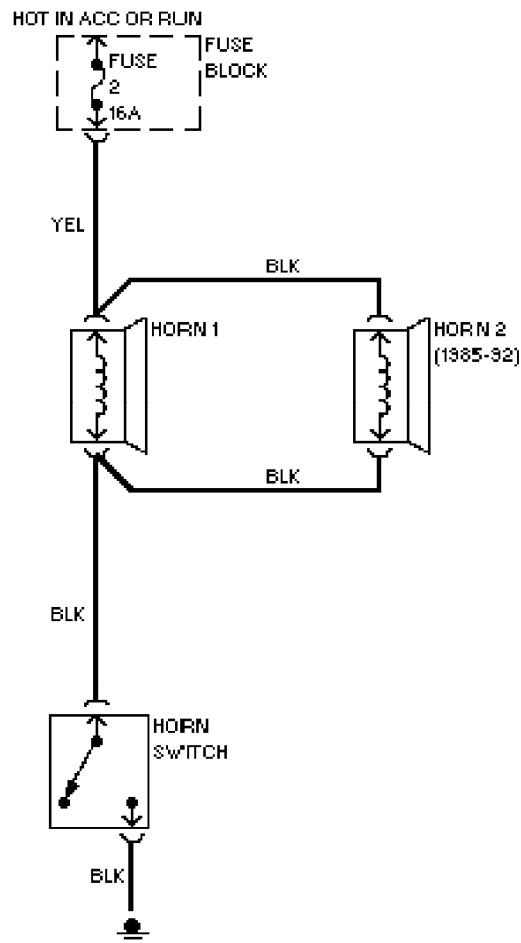
1989 Volvo 240



SYSTEM WIRING DIAGRAMS

Horn Circuit

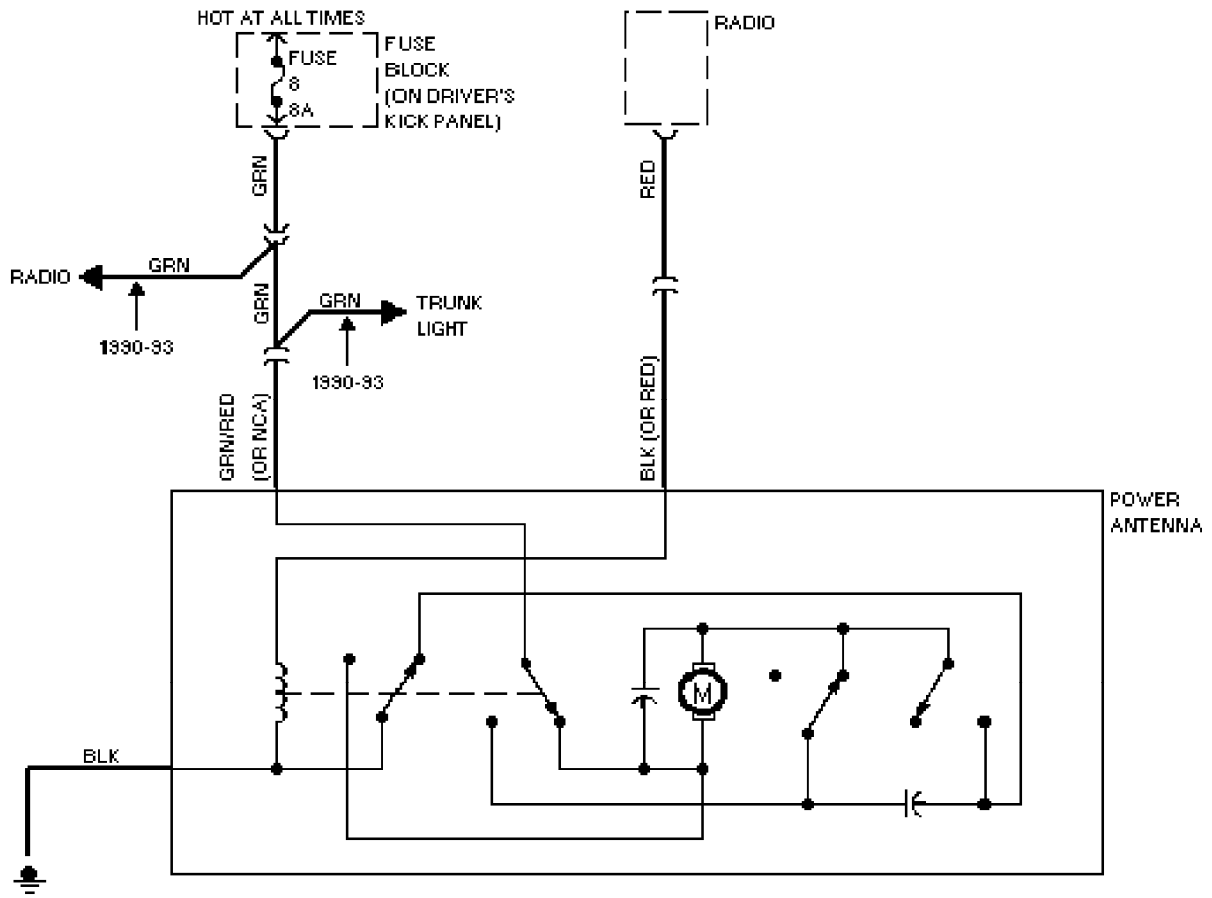
1989 Volvo 240



SYSTEM WIRING DIAGRAMS

Power Antenna Circuit

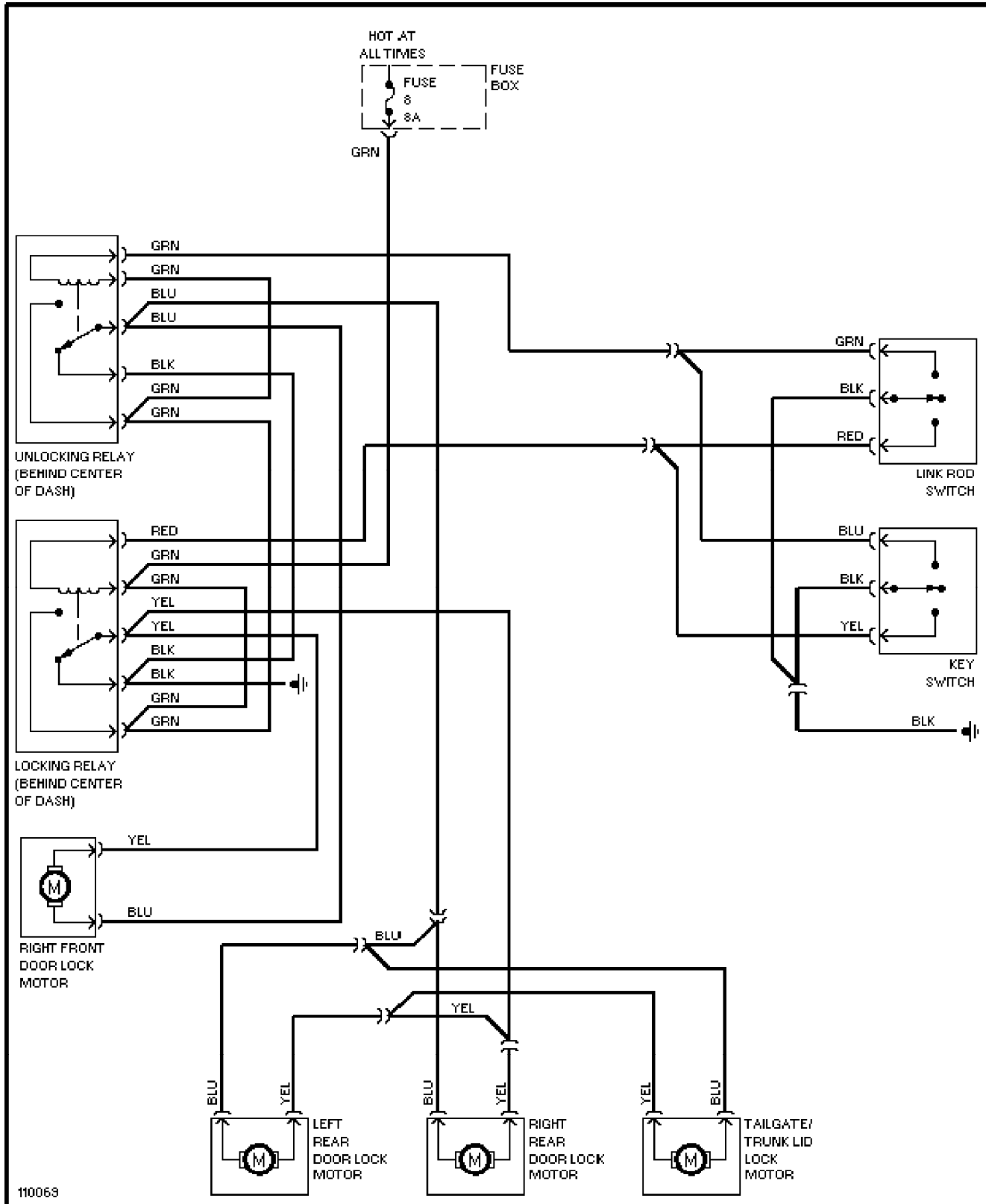
1989 Volvo 240



SYSTEM WIRING DIAGRAMS

Power Door Lock Circuit

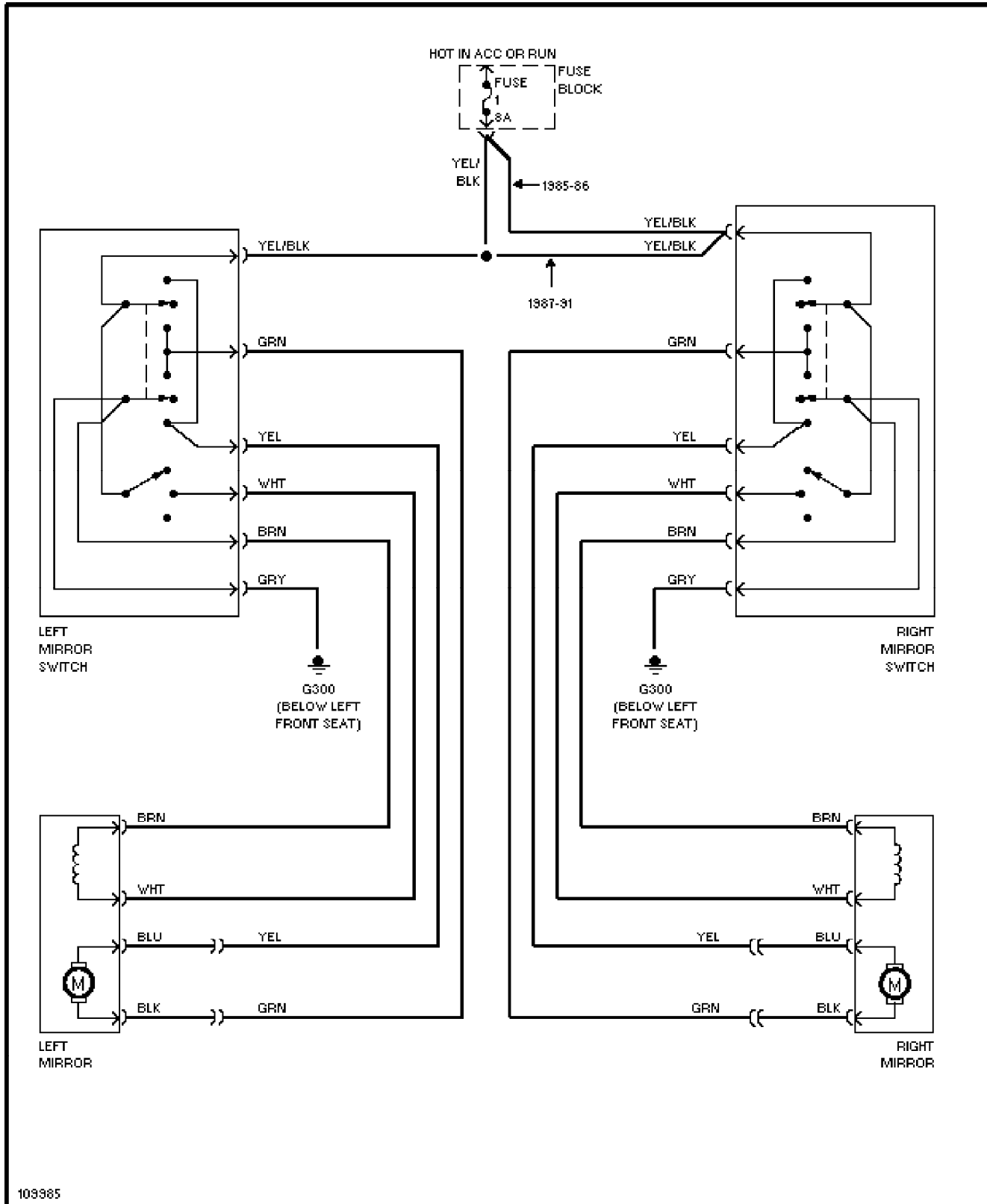
1989 Volvo 240



SYSTEM WIRING DIAGRAMS

Power Mirror Circuit

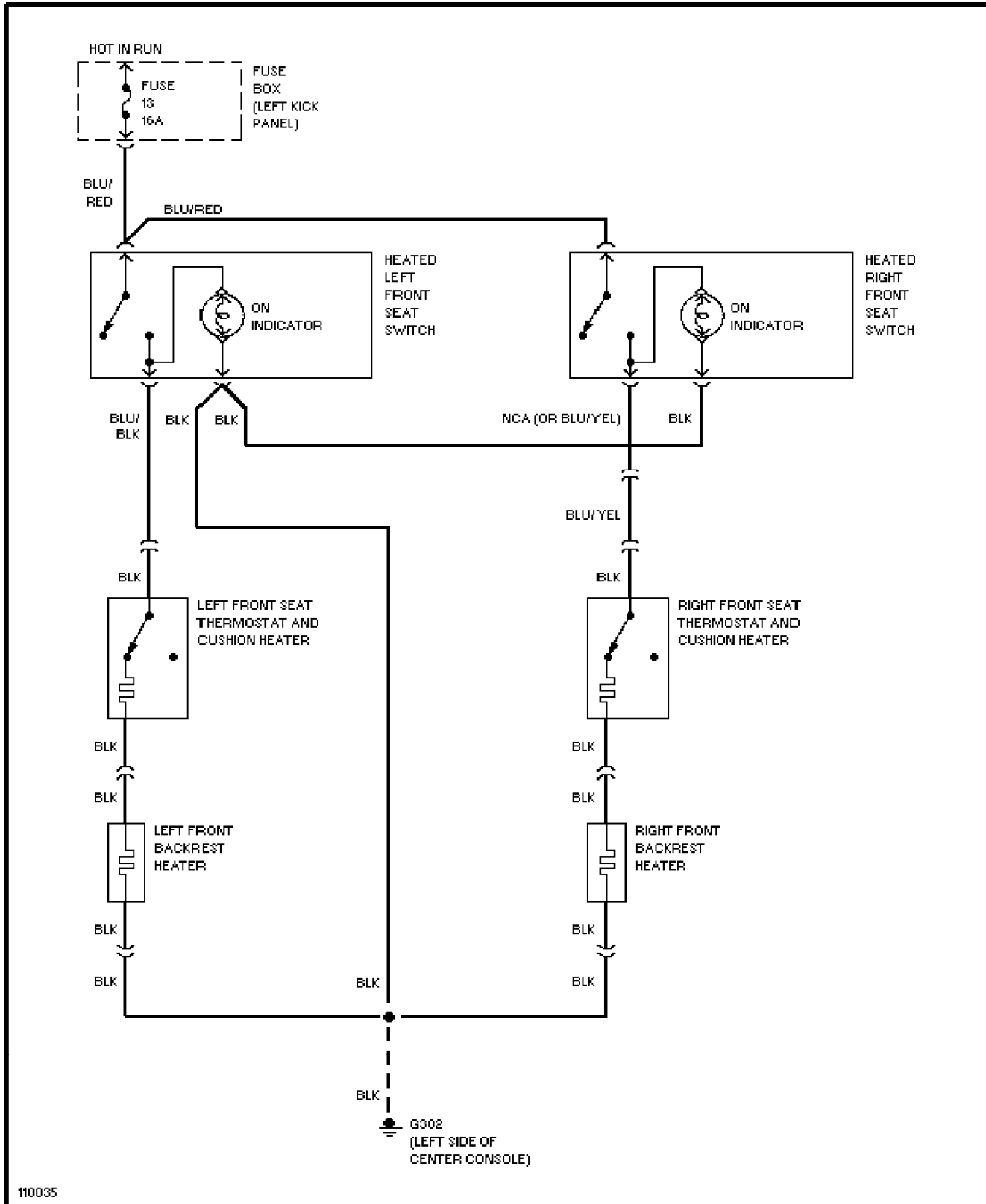
1989 Volvo 240



SYSTEM WIRING DIAGRAMS

Heated Seats Circuit

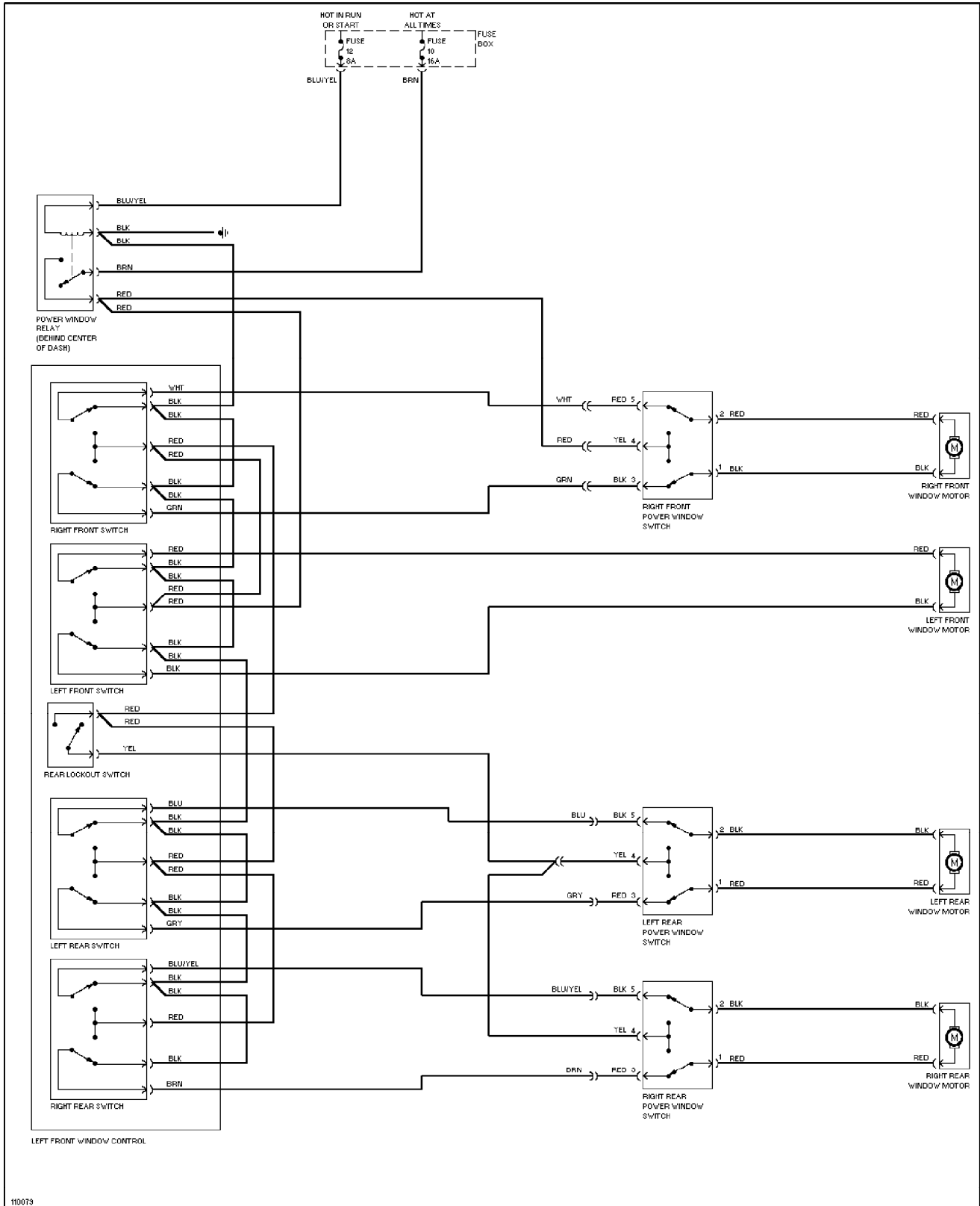
1989 Volvo 240



SYSTEM WIRING DIAGRAMS

Power Window Circuit

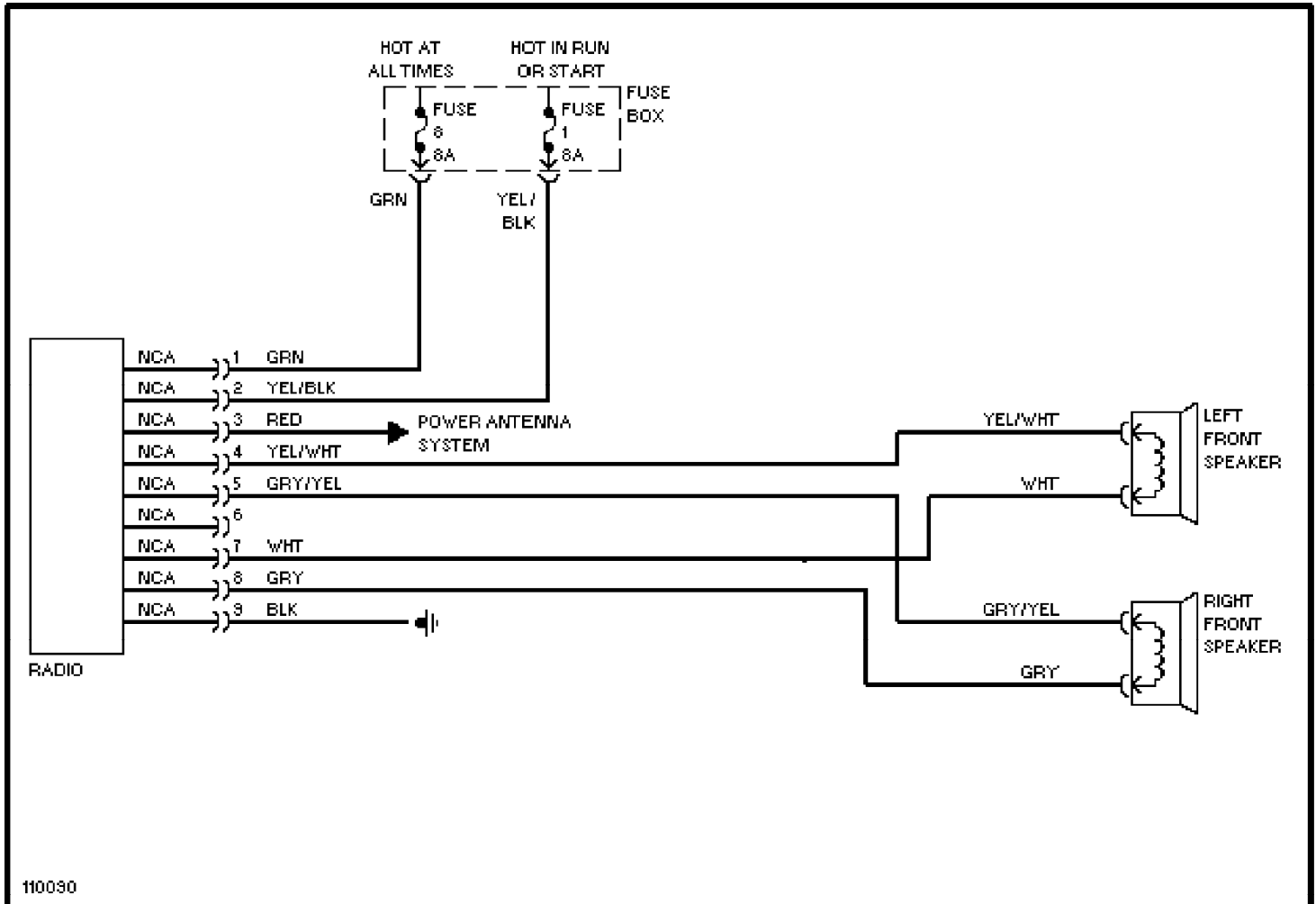
1989 Volvo 240



SYSTEM WIRING DIAGRAMS

Radio Circuits

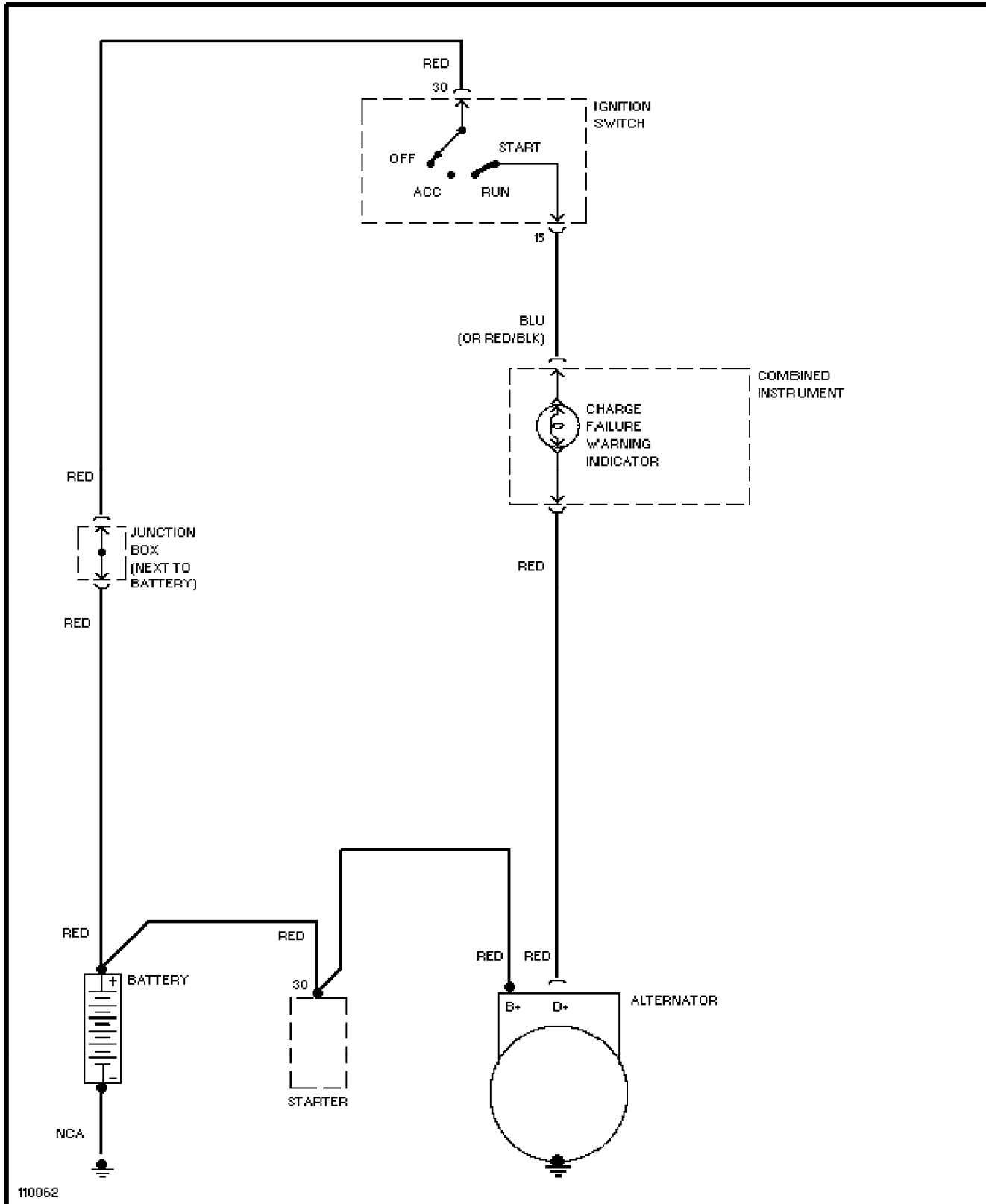
1989 Volvo 240



SYSTEM WIRING DIAGRAMS

Charging Circuit

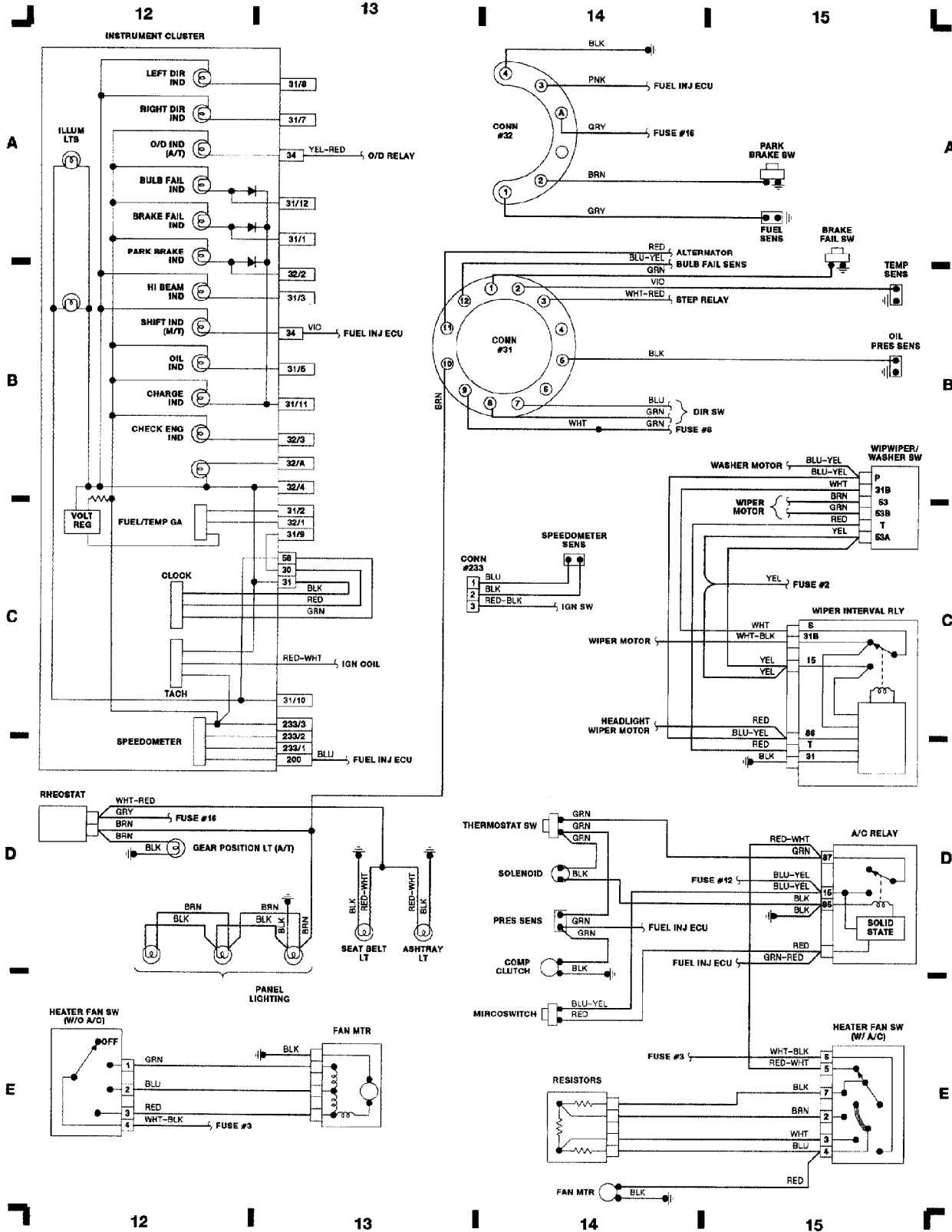
1989 Volvo 240



WIRING DIAGRAMS

Fig. 4: Instrument Panel, A/C & Heating

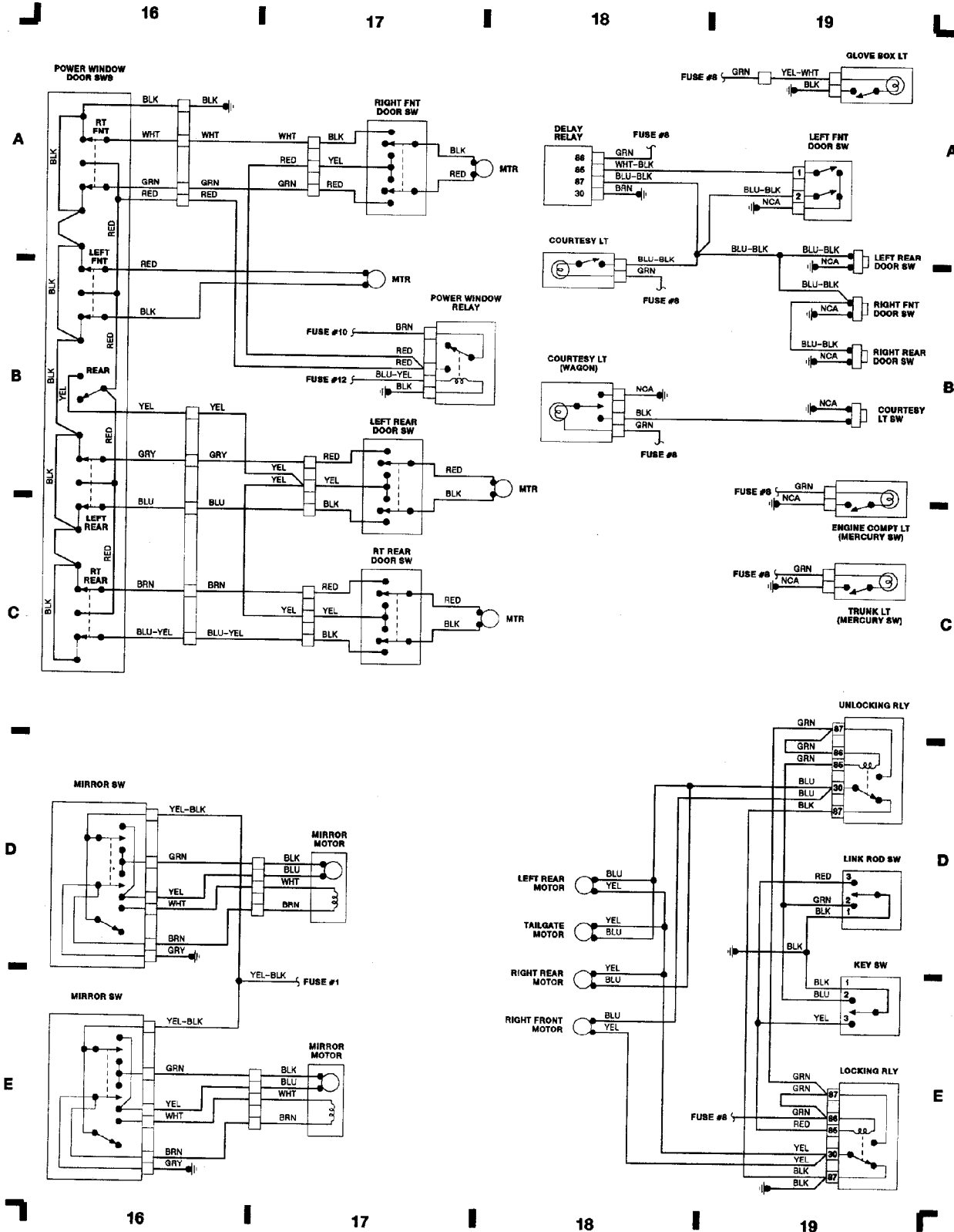
1989 Volvo 240



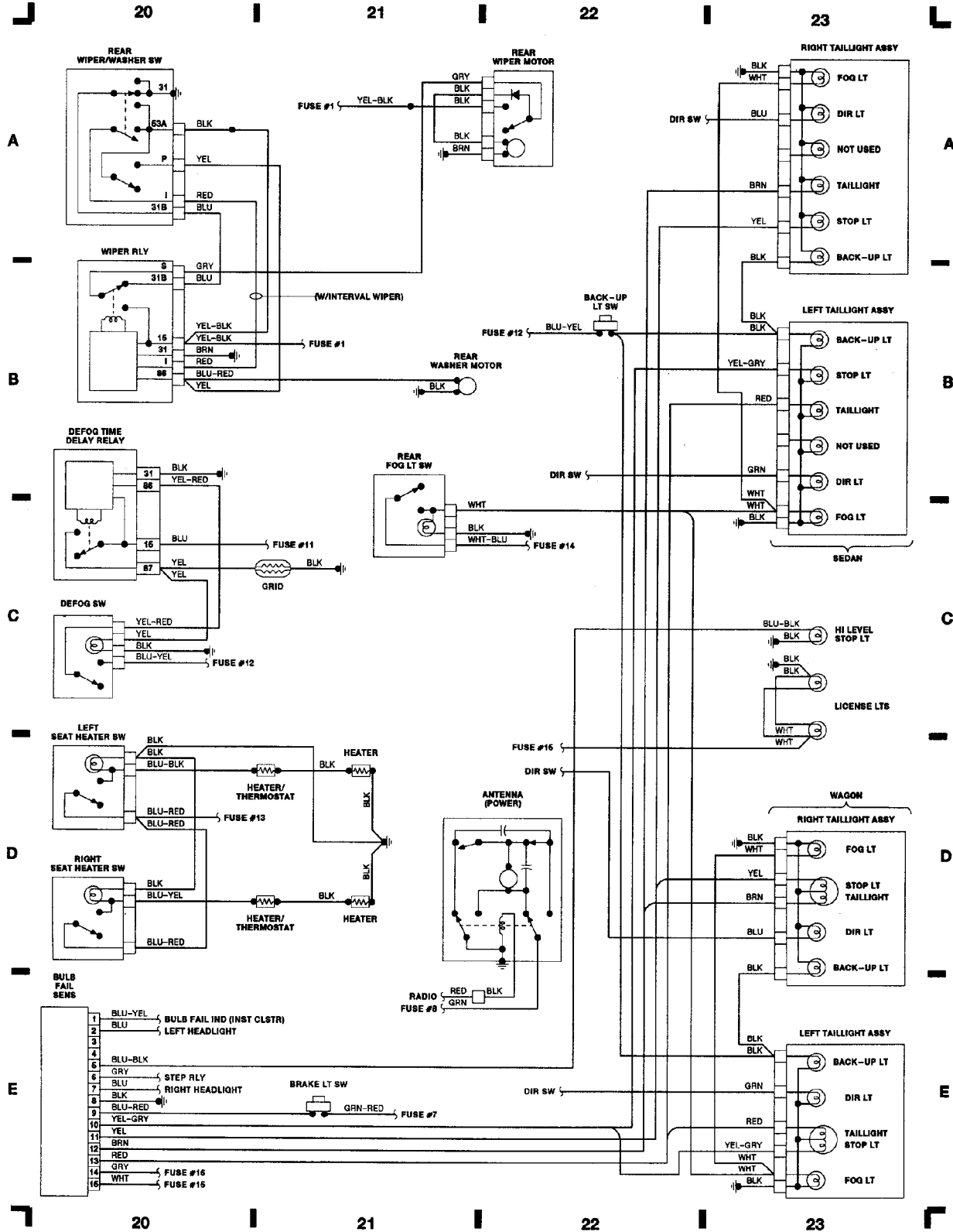
WIRING DIAGRAMS

Fig. 5: Power Doors, Power Mirrors & Power Windows

1989 Volvo 240



WIRING DIAGRAMS
Fig. 6: Passenger Compartment & Taillights
 1989 Volvo 240



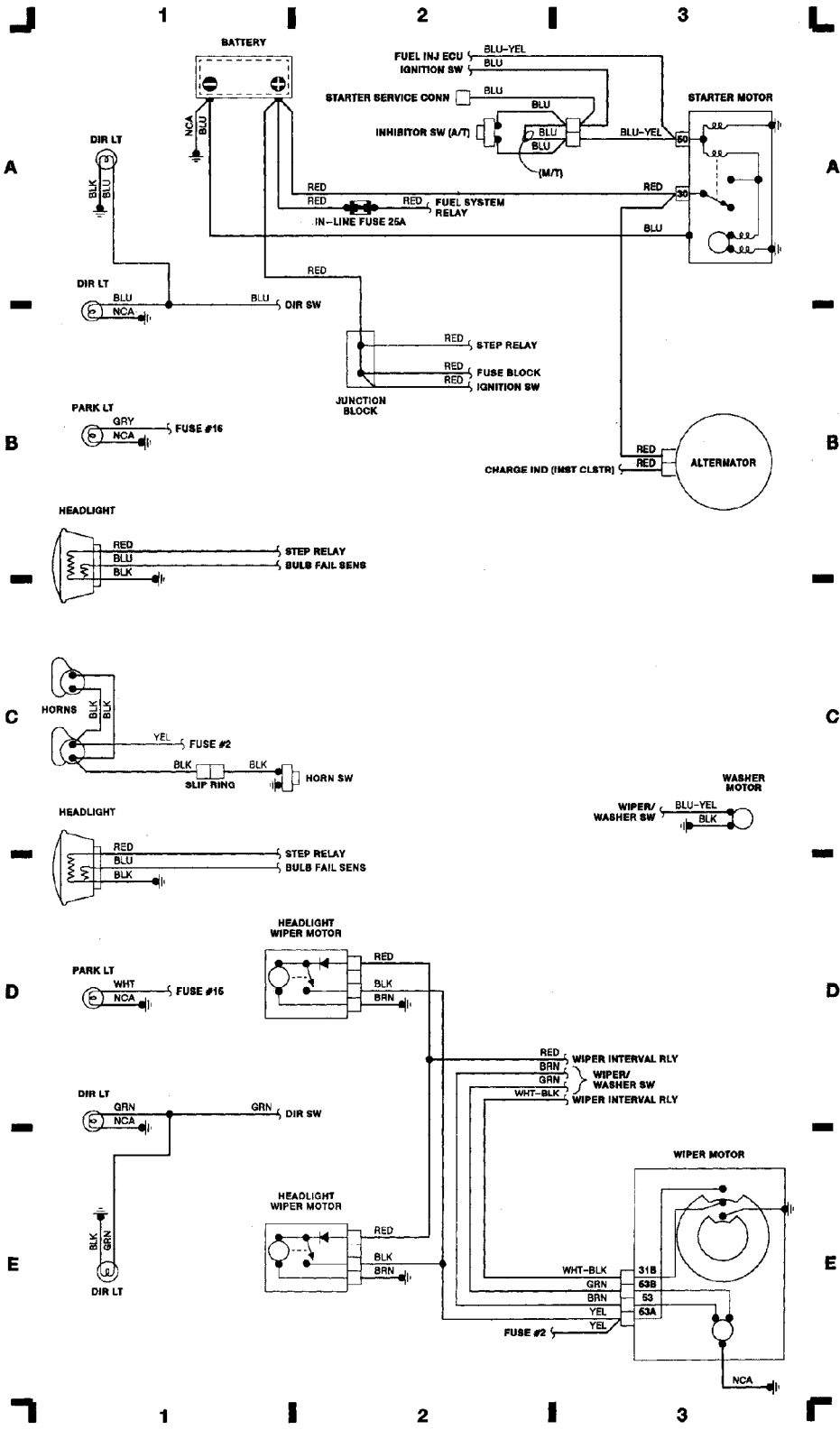
WIRING DIAGRAMS

Fig. 1: Engine Compartment & Headlights

1989 Volvo 240

COMPONENT LOCATOR:

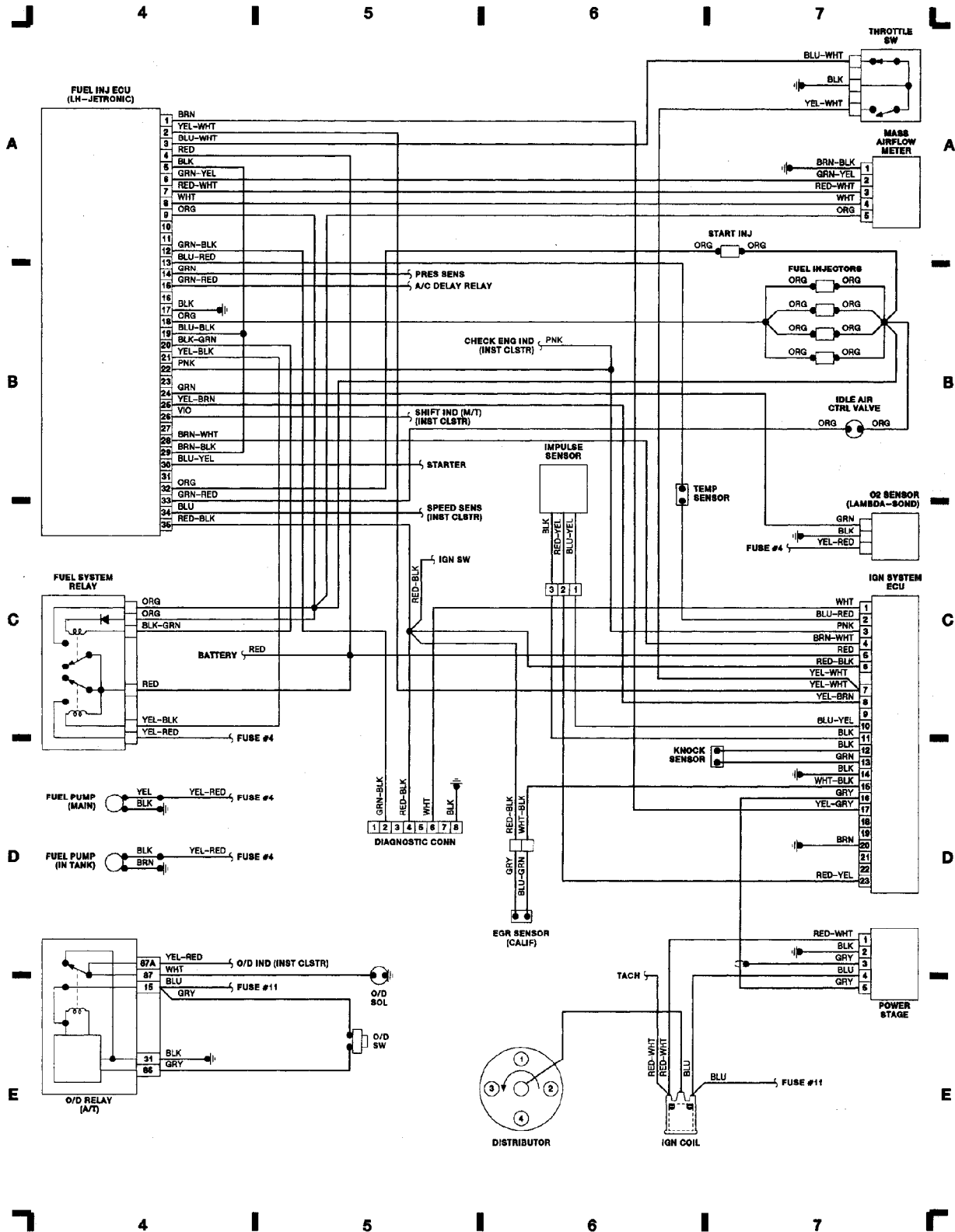
A/C RELAY	D 15
ALTERNATOR	B 3
ANTENNA	D 21-22
BACK-UP LT SW	B 22
BATTERY	A 1
BRAKE LT SW	E 21
BULB FAIL SENS	E 20
COURTESY LT (WAGON)	B 18
COURTESY LT	A-B 18
DEFOG SW	C 20
DEFOG TIME DELAY RELAY	B-C 20
DELAY RELAY	A 18
DIAG CONN	D 5
DIR SW	A 11
ENG COMPT LT	B-C 19
FLASHER RELAY	A-B 9-10
FUEL INJ ECU	A-C 4
FUEL PUMP (IN TANK)	D 4
FUEL PUMP (MAIN)	D 4
FUEL SYSTEM RELAY	C 4
FUSE BLOCK	B-E 9-10
GLOVE BOX LT	A 19
HAZARD SW	A-B 11
HEADLIGHT MOTORS	D-E 1-2
HEATER FAN SW (W/A/C)	E 15
HEATER FAN SW (W/O A/C)	E 12
IGN COIL	E 6
IGN SW	B-C 8
INST CLSTR	A-D 12
JUNCTION BLOCK	B 2
LEFT SEAT HEATER SW	D 20
LOCKING RELAY	E 19
MIRROR SWS	D-E 18
O/D RELAY (A/T)	D-E 4
O ₂ SENSOR	C 7
POWER WINDOW RELAY	B 17-18
PRES SENSOR	D 14
REAR FOG LT	B-C 21
REAR WIPER SYSTEM	A-B 20-22
RHEOSTAT	D 12
SEAT BELT LTS	C 6
SEAT BELT WARN	E 9
STARTER MOTOR	A 3
STEP RELAY	A 8
TRUNK LT	C 19
WARNING BUZZER	E 8
WASHER MOTOR	C 3
WIPER INTERVAL RELAY	C-D 15
WIPER MOTOR	E 3
WIPER/WASHER SW	B-C 15



WIRING DIAGRAMS

Fig. 2: Computer Engine Control

1989 Volvo 240



WIRING DIAGRAMS
Fig. 3: Fuse Block and Relays
 1989 Volvo 240

