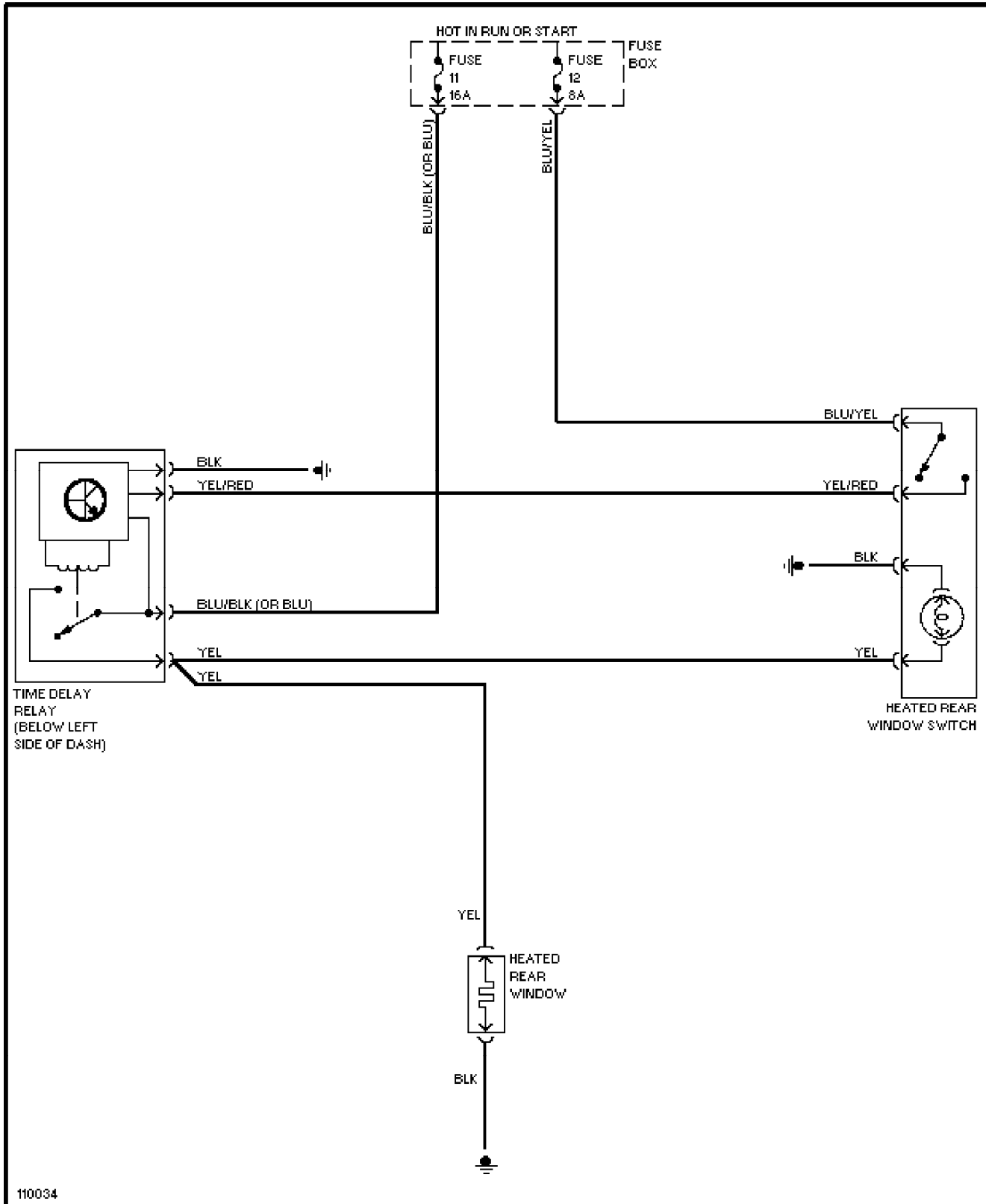


SYSTEM WIRING DIAGRAMS

Rear Defogger Circuit

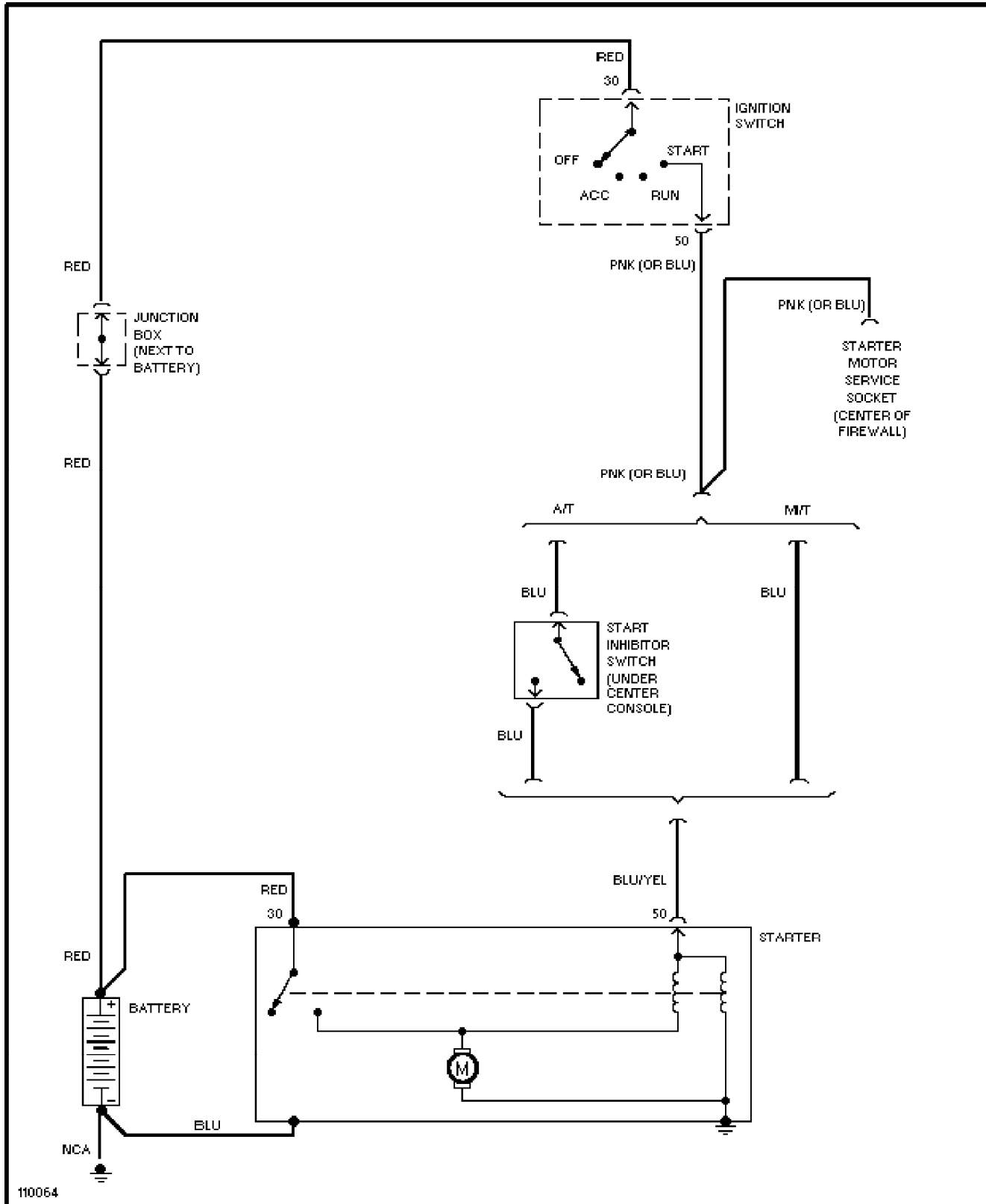
1990 Volvo 240



SYSTEM WIRING DIAGRAMS

Starting Circuit

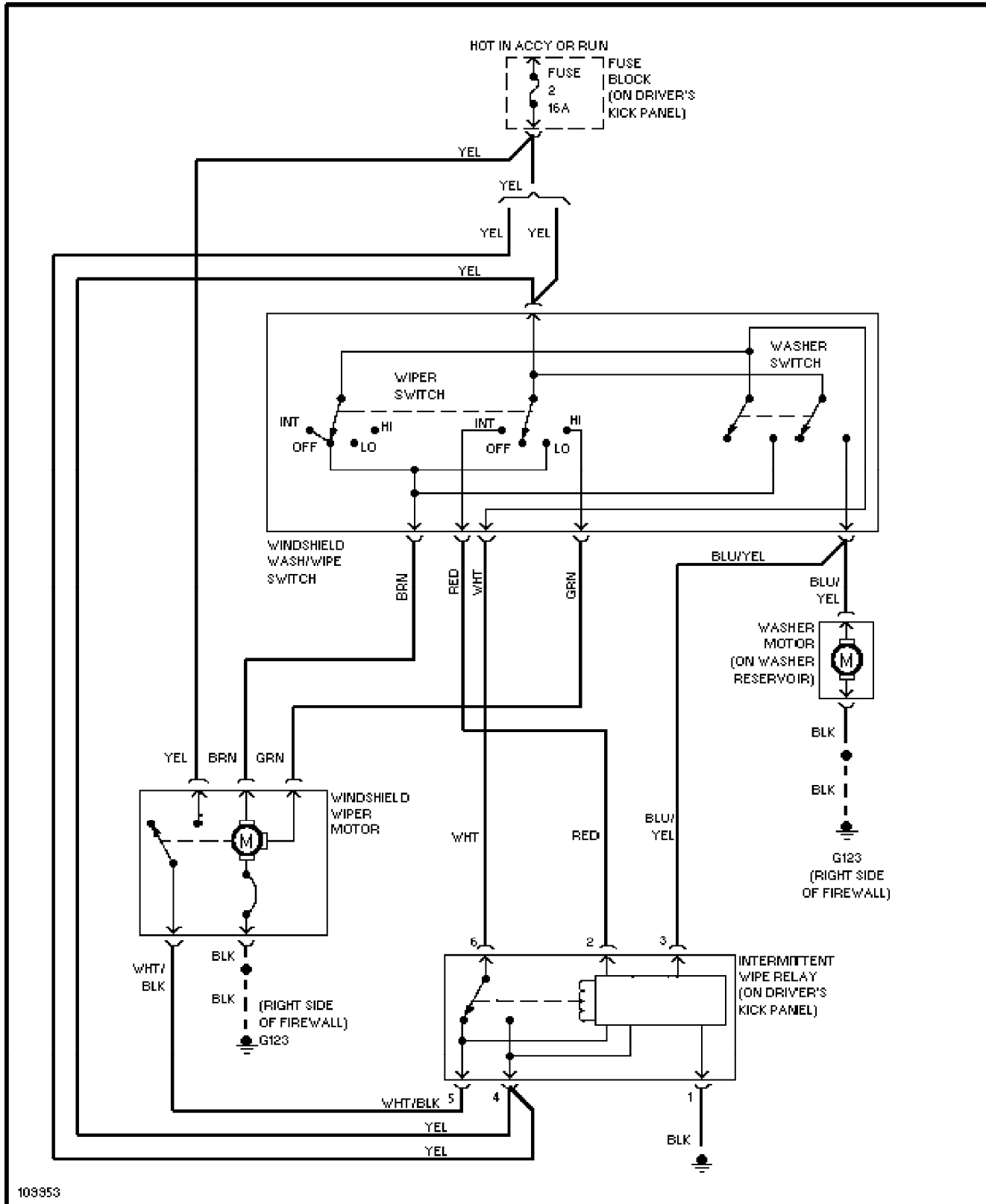
1990 Volvo 240



SYSTEM WIRING DIAGRAMS

Front Washer/Wiper Circuit

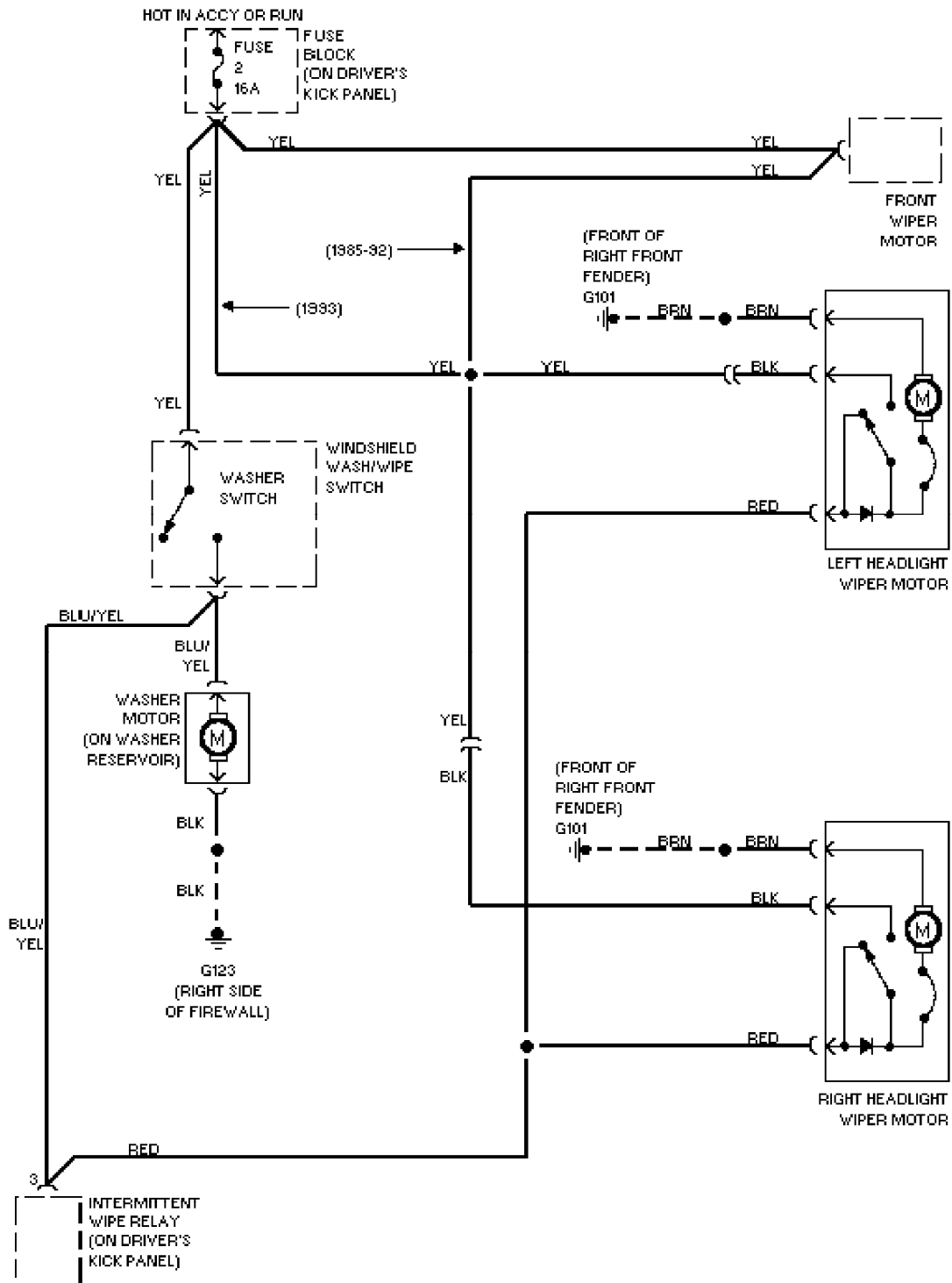
1990 Volvo 240



SYSTEM WIRING DIAGRAMS

Headlight Washer/Wiper Circuit

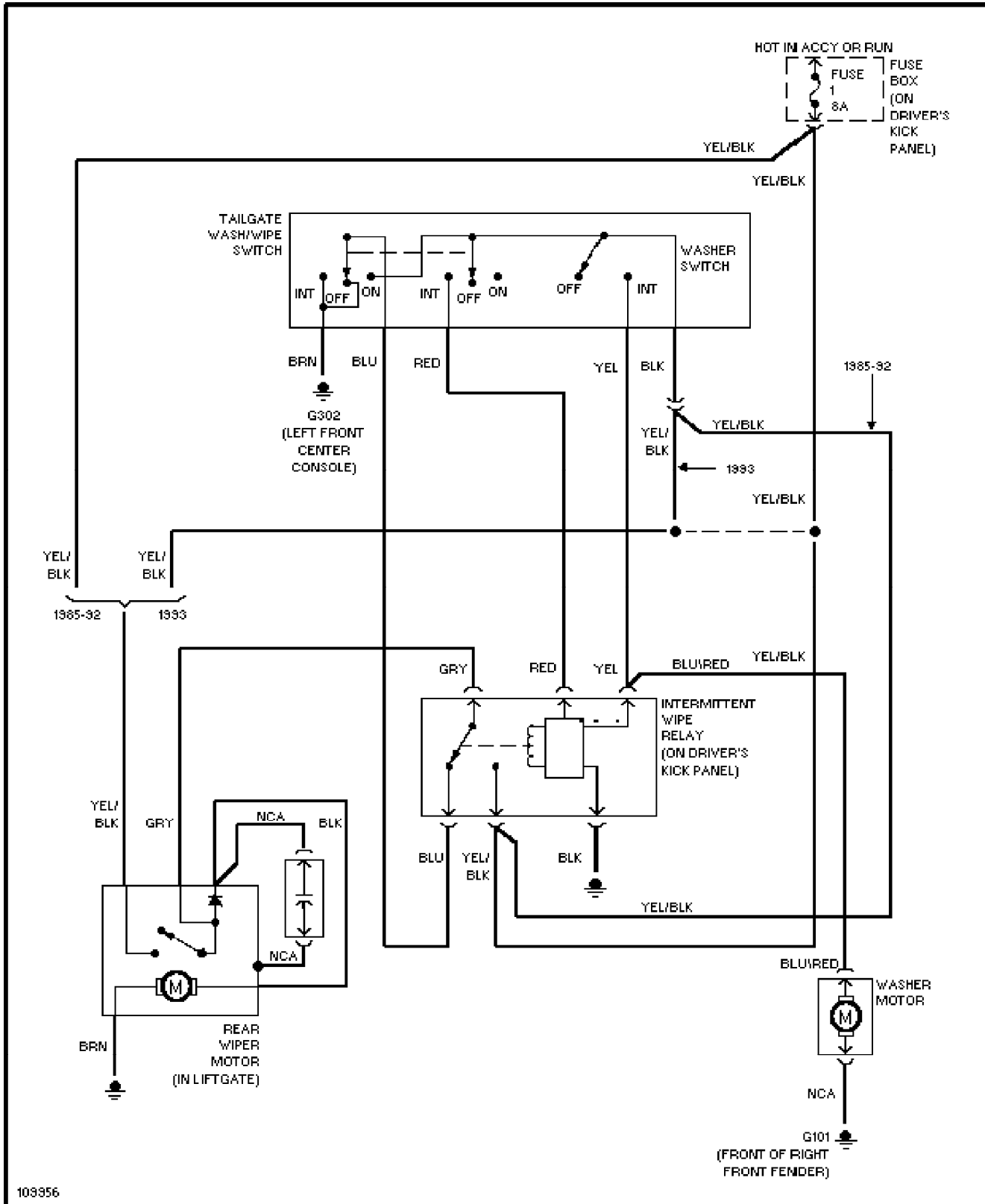
1990 Volvo 240



SYSTEM WIRING DIAGRAMS

Rear Washer/Wiper W/ Intermittent Relay Circuit

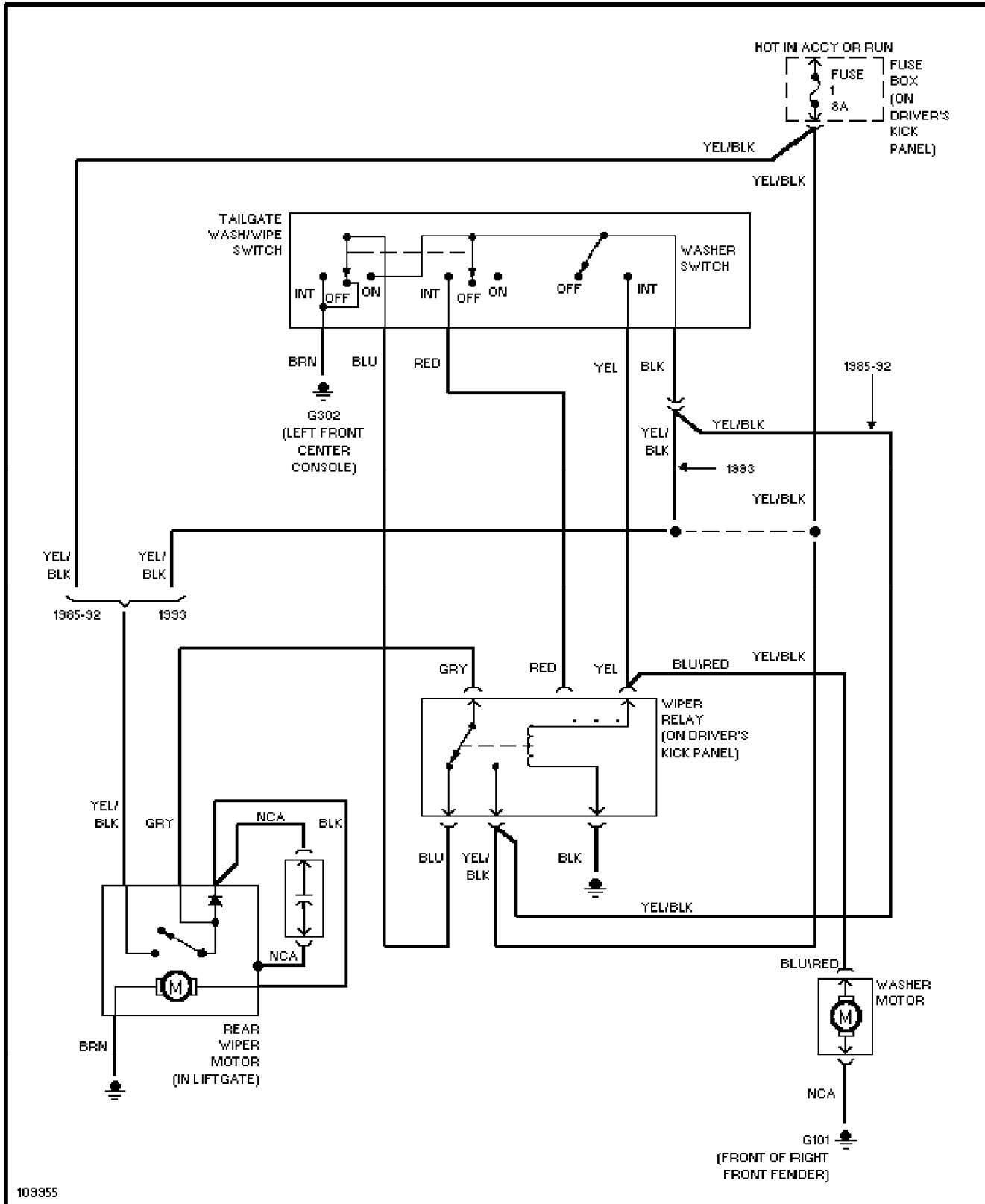
1990 Volvo 240



SYSTEM WIRING DIAGRAMS

Rear Washer/Wiper W/O Intermittent Relay Circuit

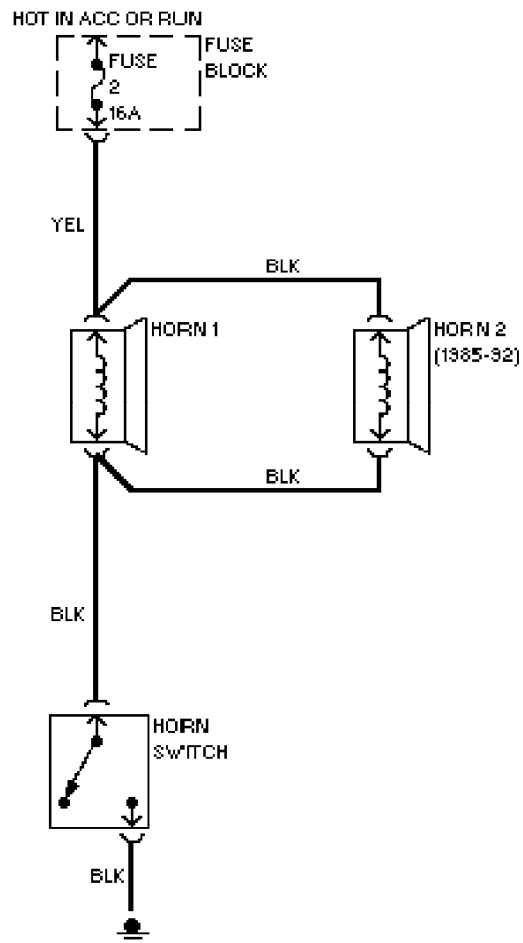
1990 Volvo 240



SYSTEM WIRING DIAGRAMS

Horn Circuit

1990 Volvo 240

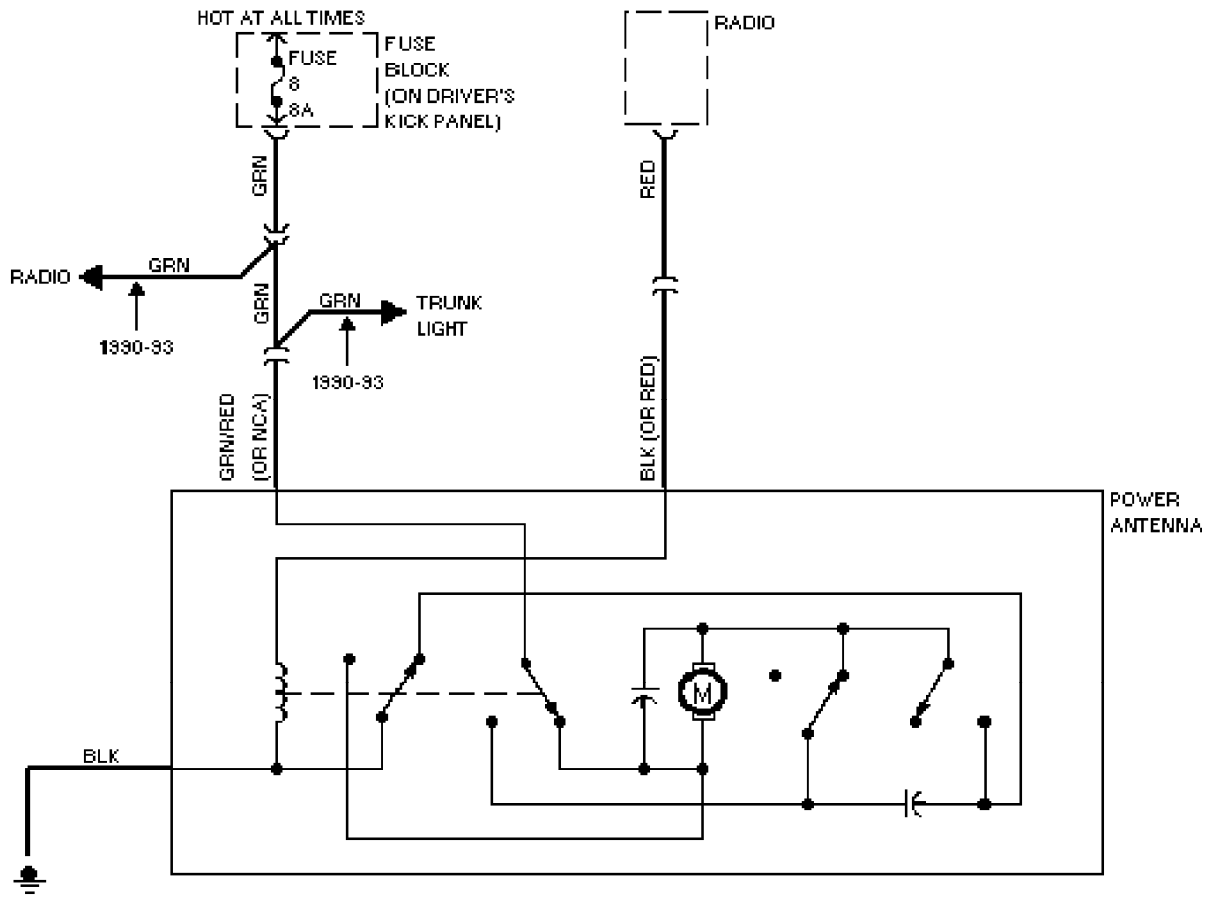


103960

SYSTEM WIRING DIAGRAMS

Power Antenna Circuit

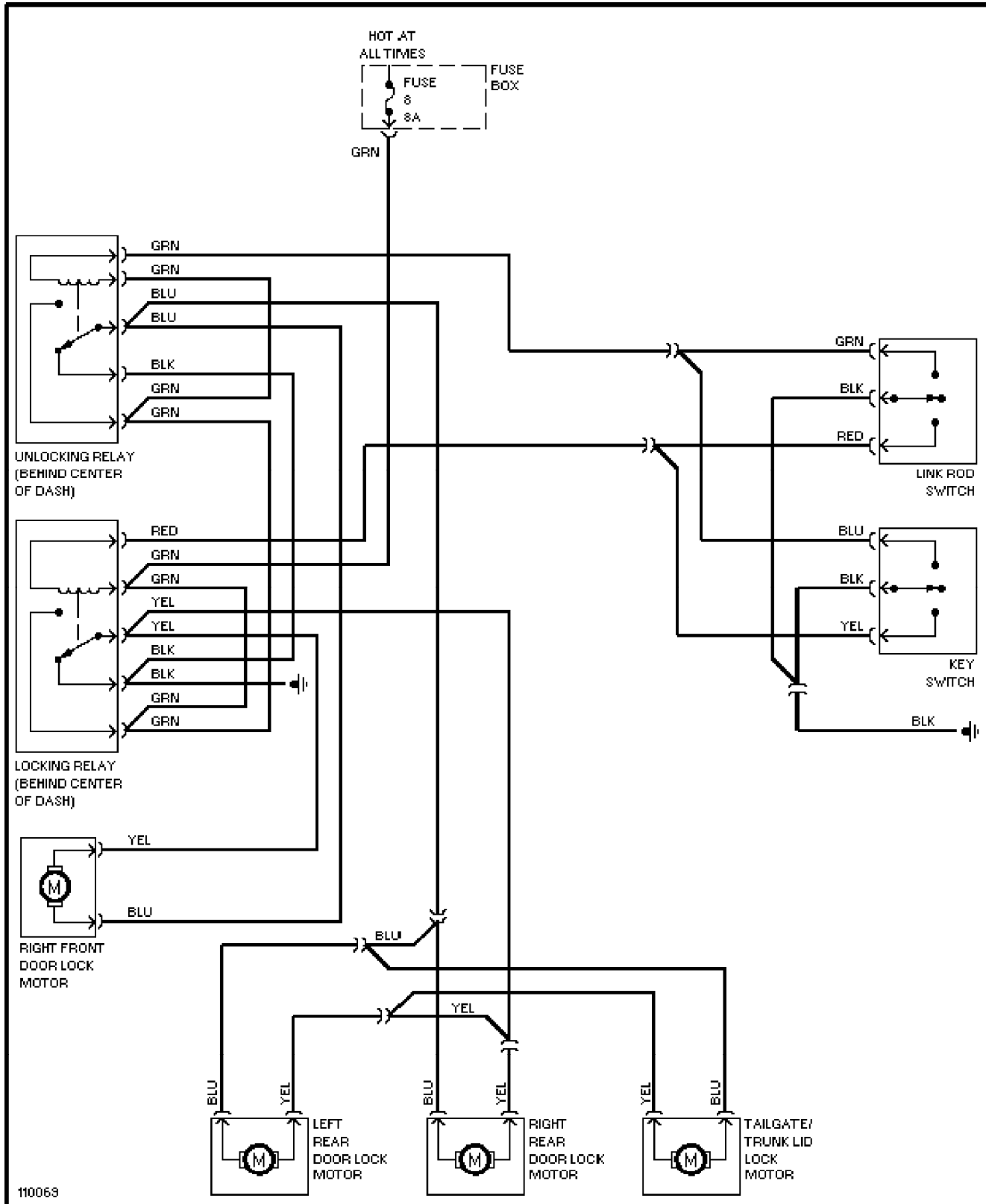
1990 Volvo 240



SYSTEM WIRING DIAGRAMS

Power Door Lock Circuit

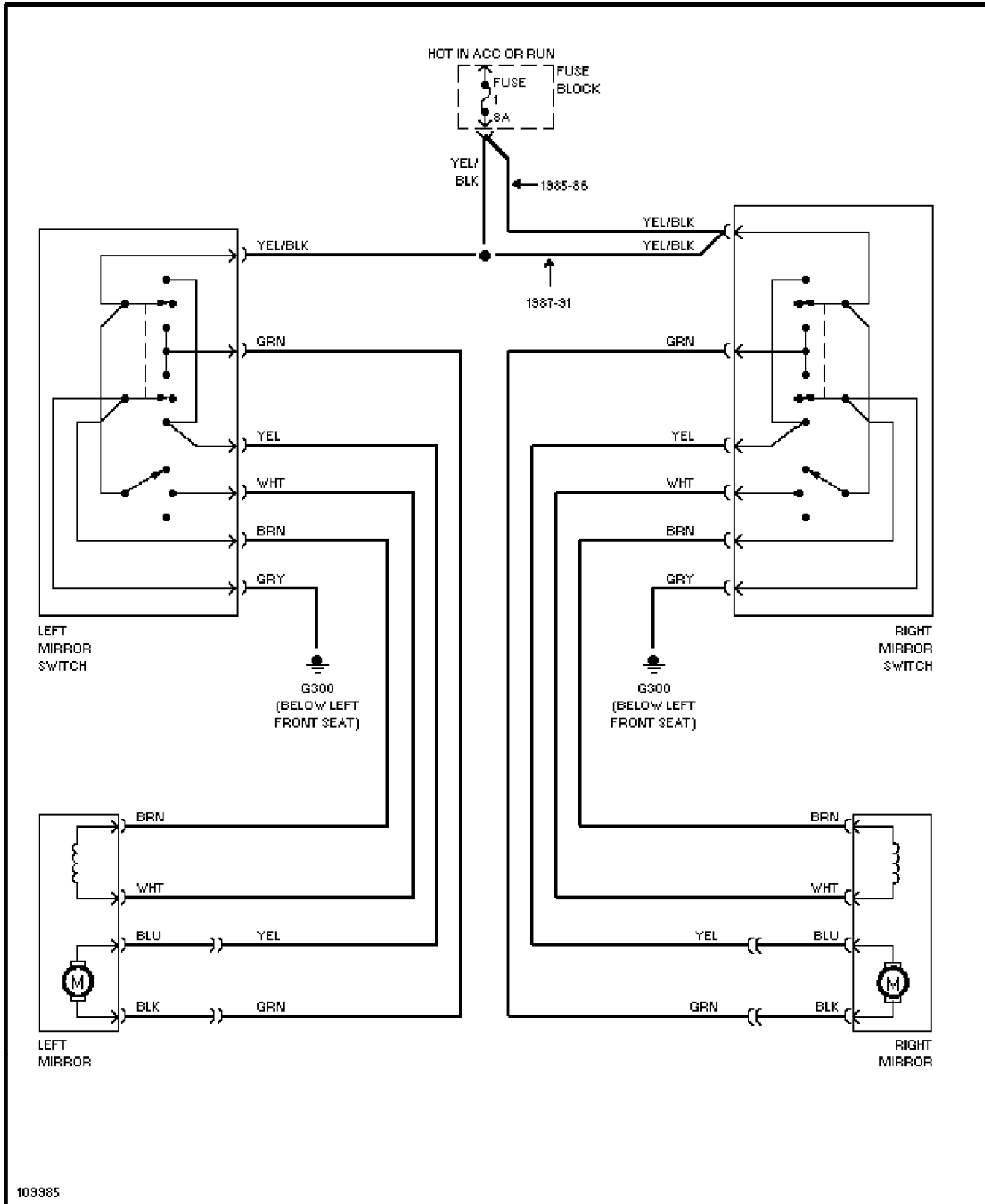
1990 Volvo 240



SYSTEM WIRING DIAGRAMS

Power Mirror Circuit

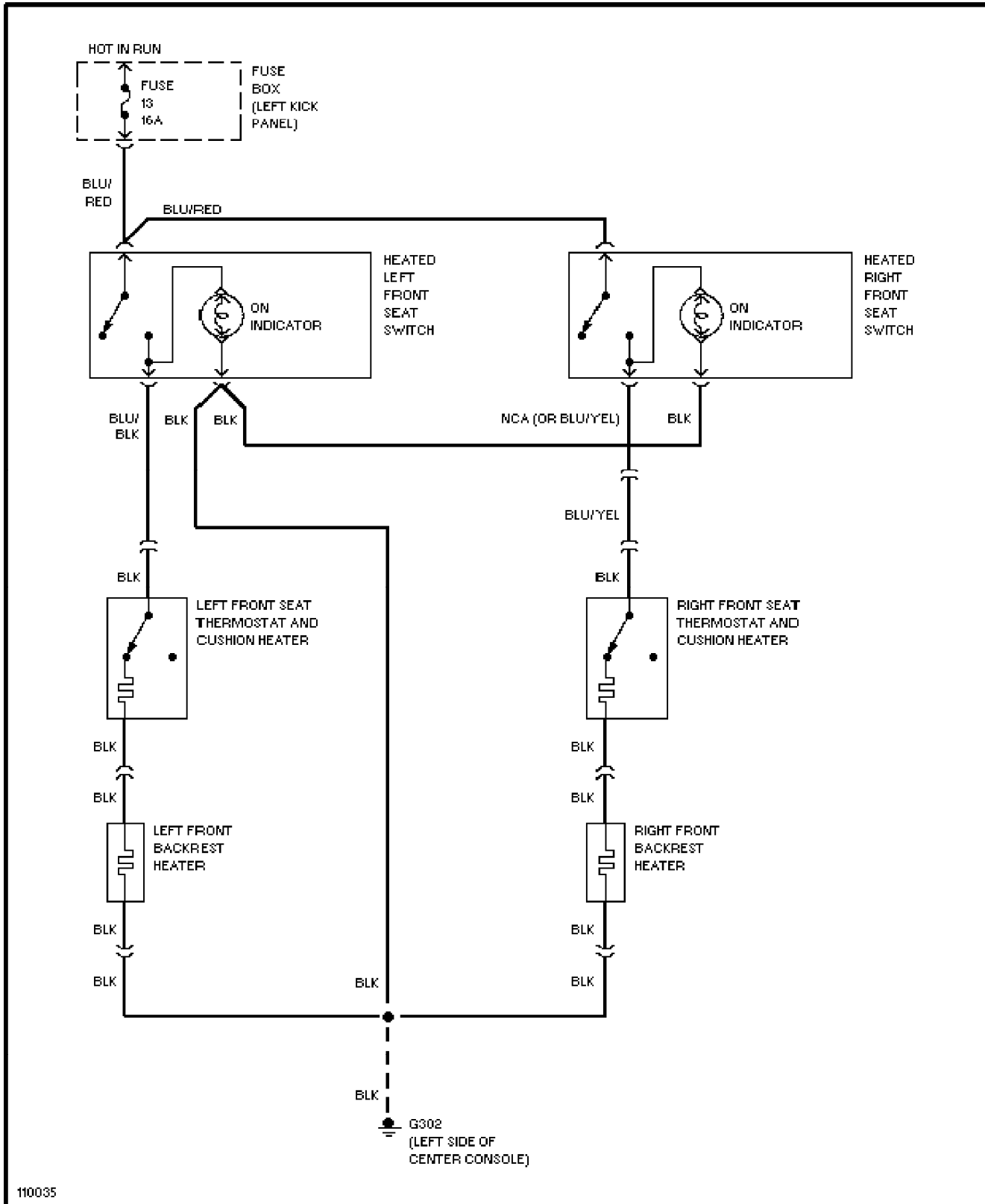
1990 Volvo 240



SYSTEM WIRING DIAGRAMS

Heated Seats Circuit

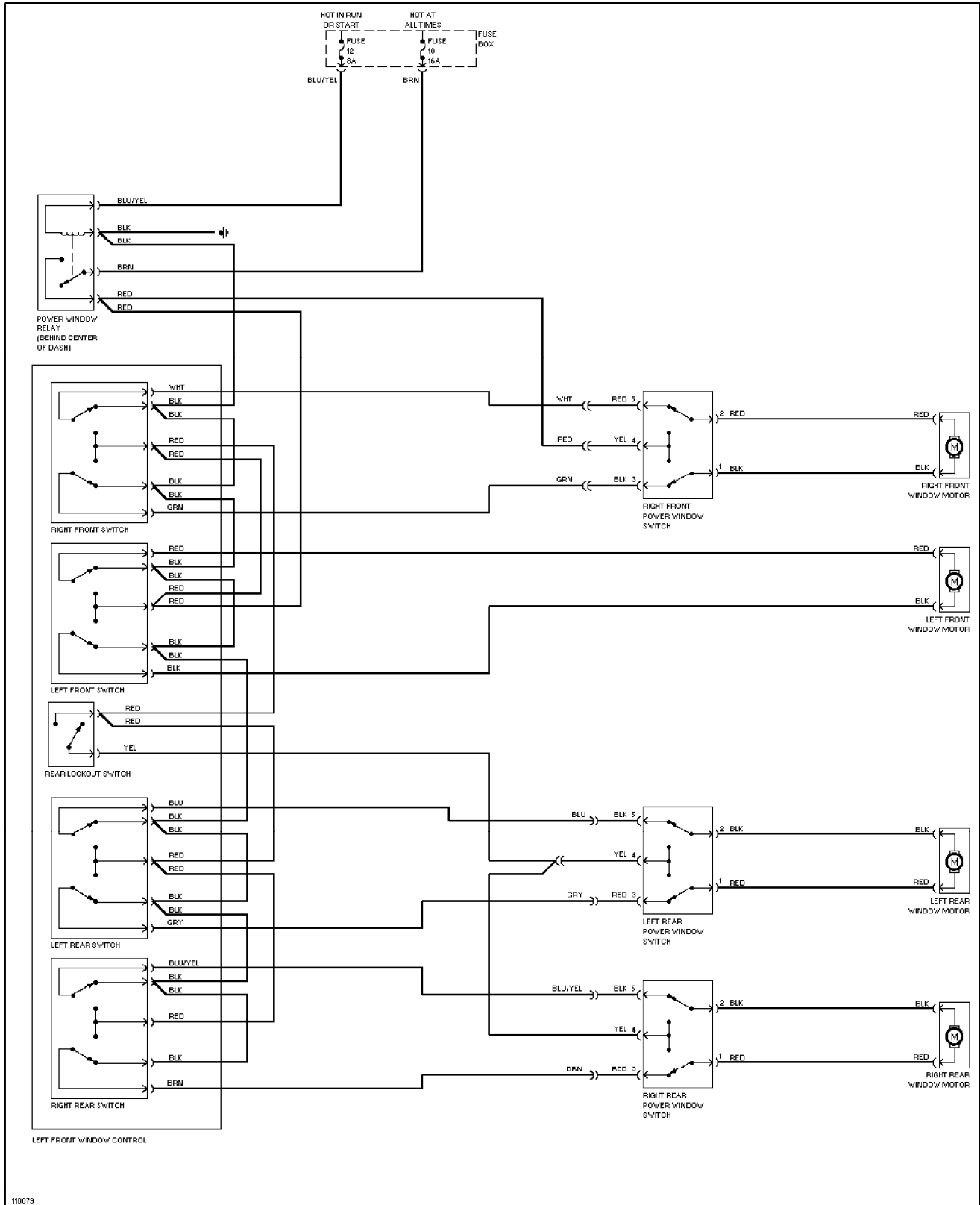
1990 Volvo 240



SYSTEM WIRING DIAGRAMS

Power Window Circuit

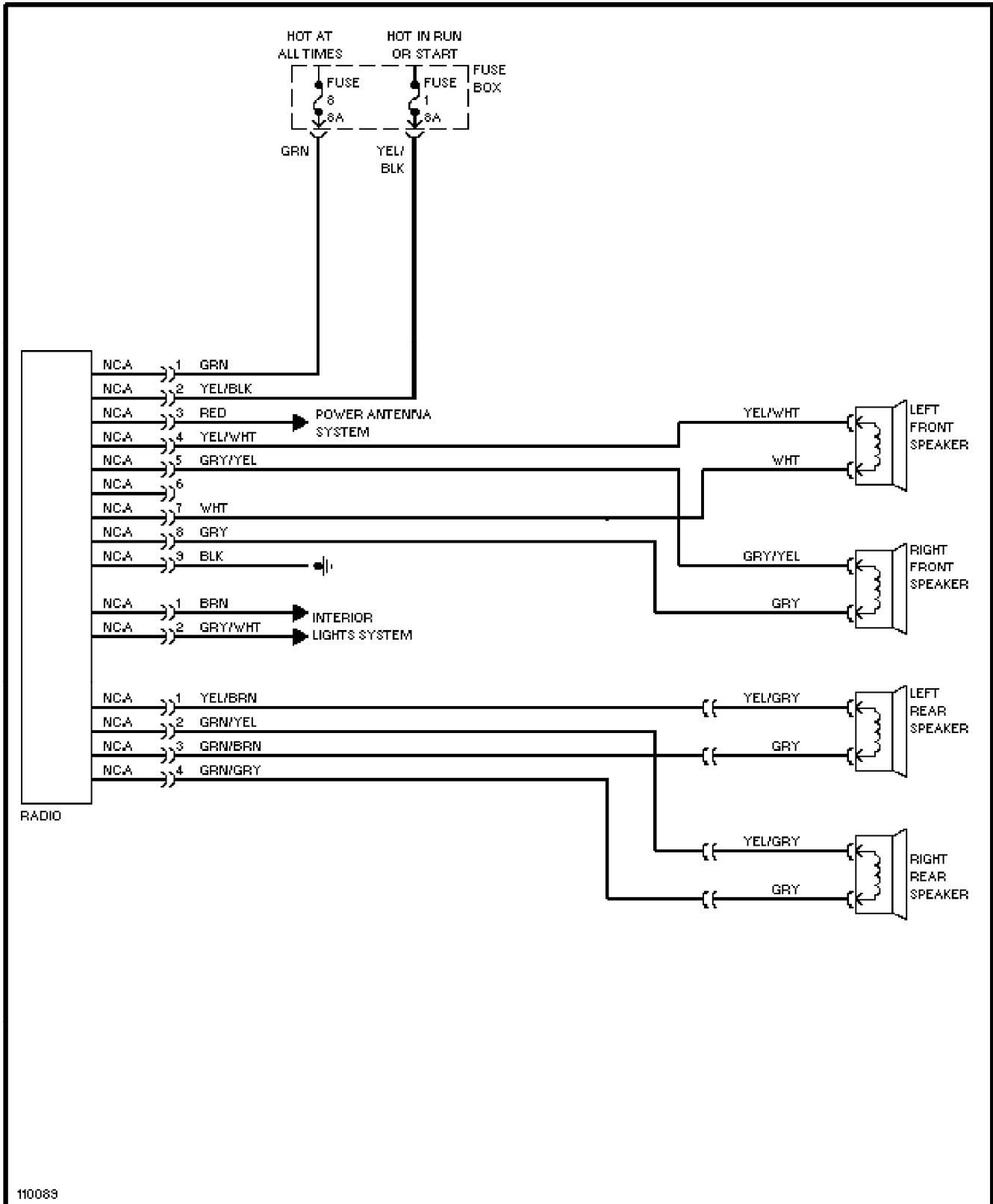
1990 Volvo 240



SYSTEM WIRING DIAGRAMS

Radio Circuits

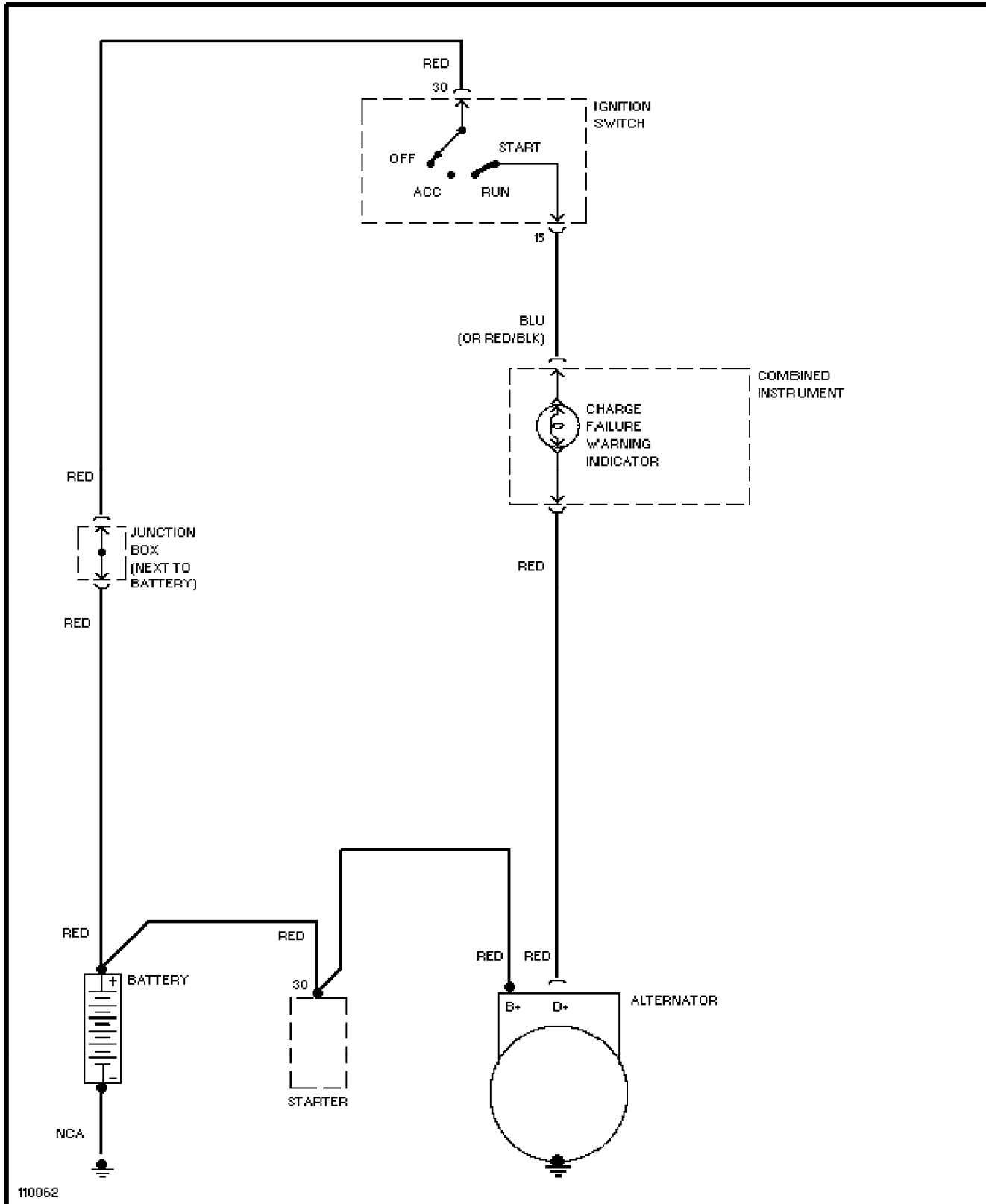
1990 Volvo 240



SYSTEM WIRING DIAGRAMS

Charging Circuit

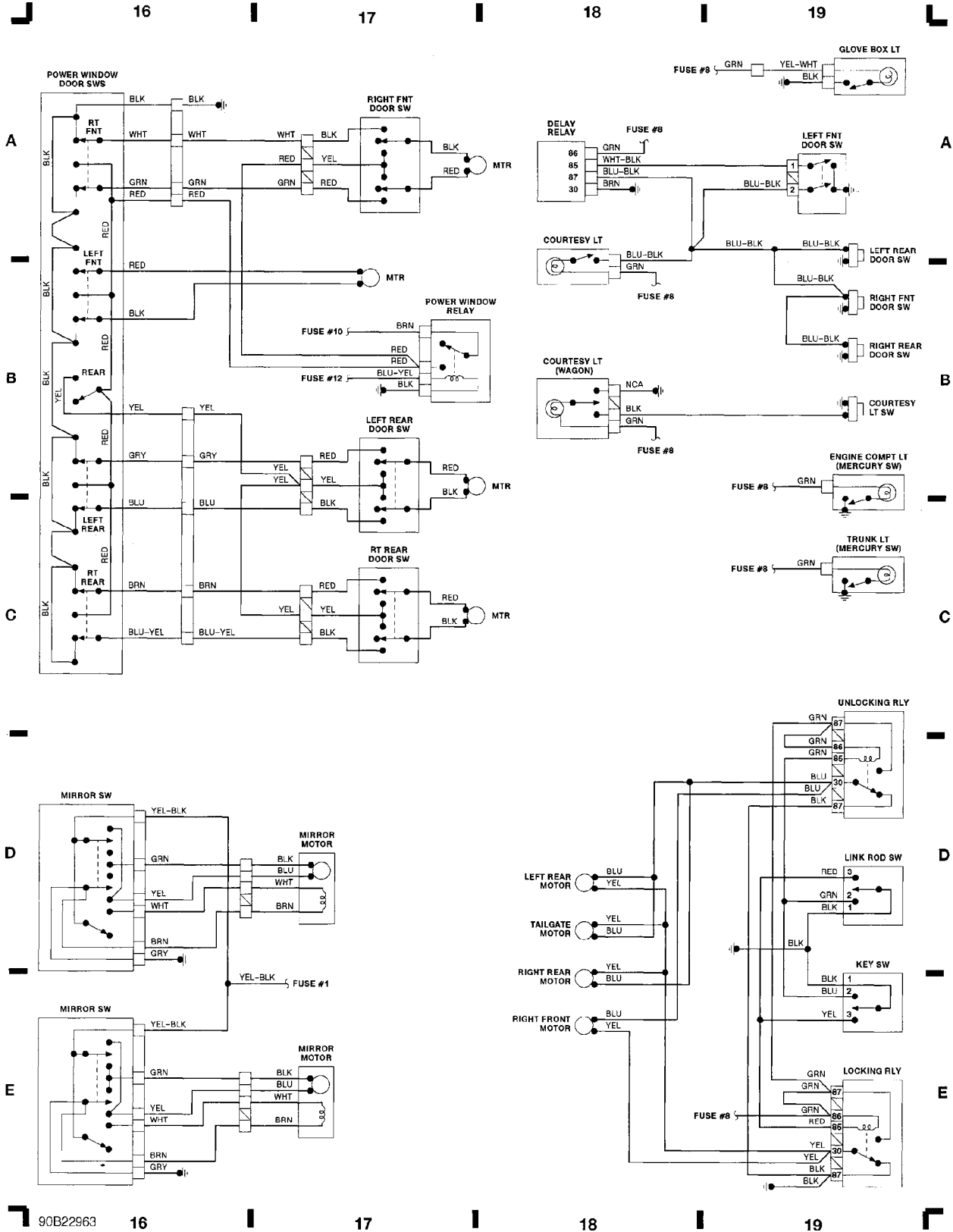
1990 Volvo 240



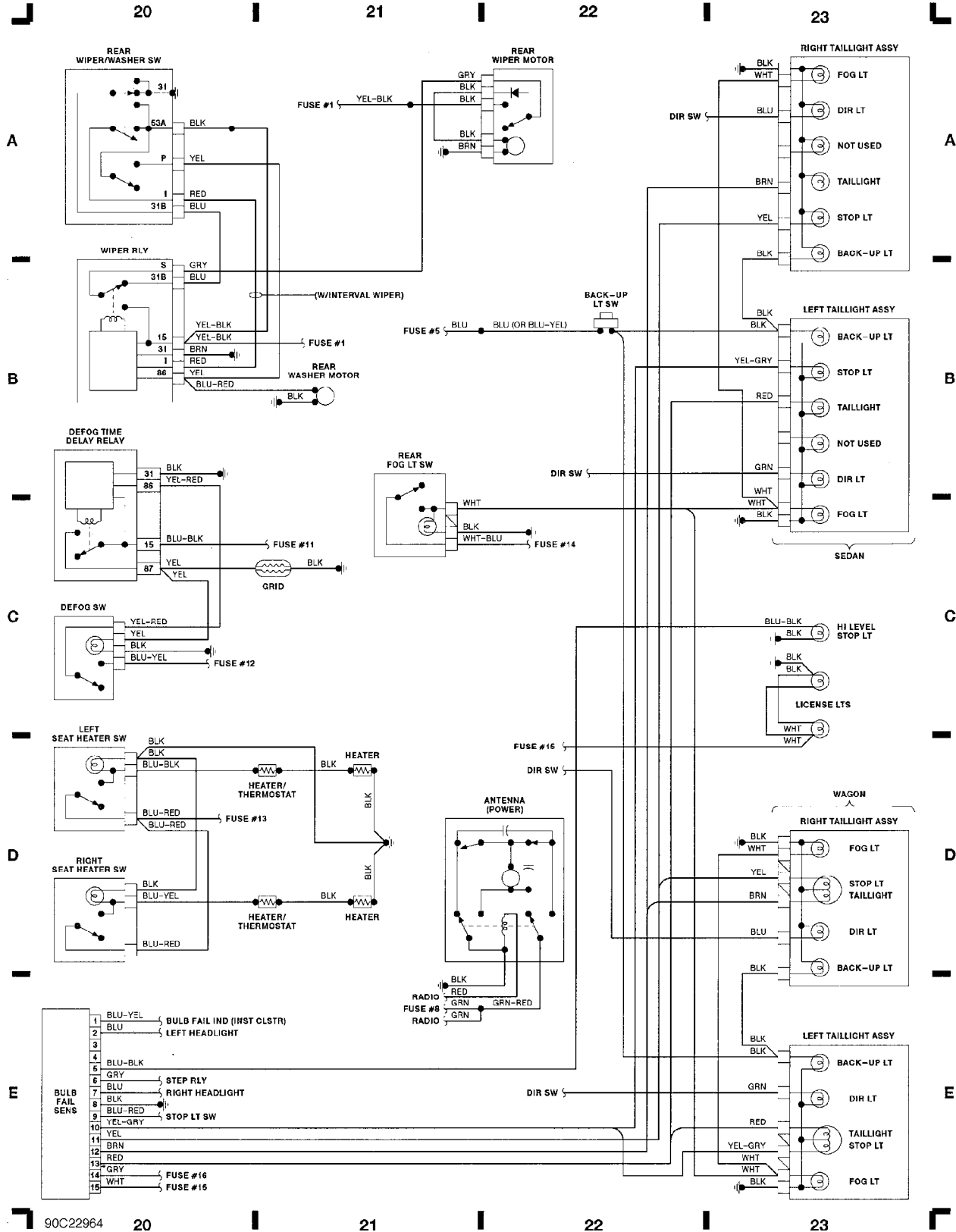
WIRING DIAGRAMS

Fig. 5: Power Door/Mirror/Windows (Grid 16-19)

1990 Volvo 240



WIRING DIAGRAMS
Fig. 6: Rear Wiper, Seat Heater, Taillight (Grid 20-23)
 1990 Volvo 240

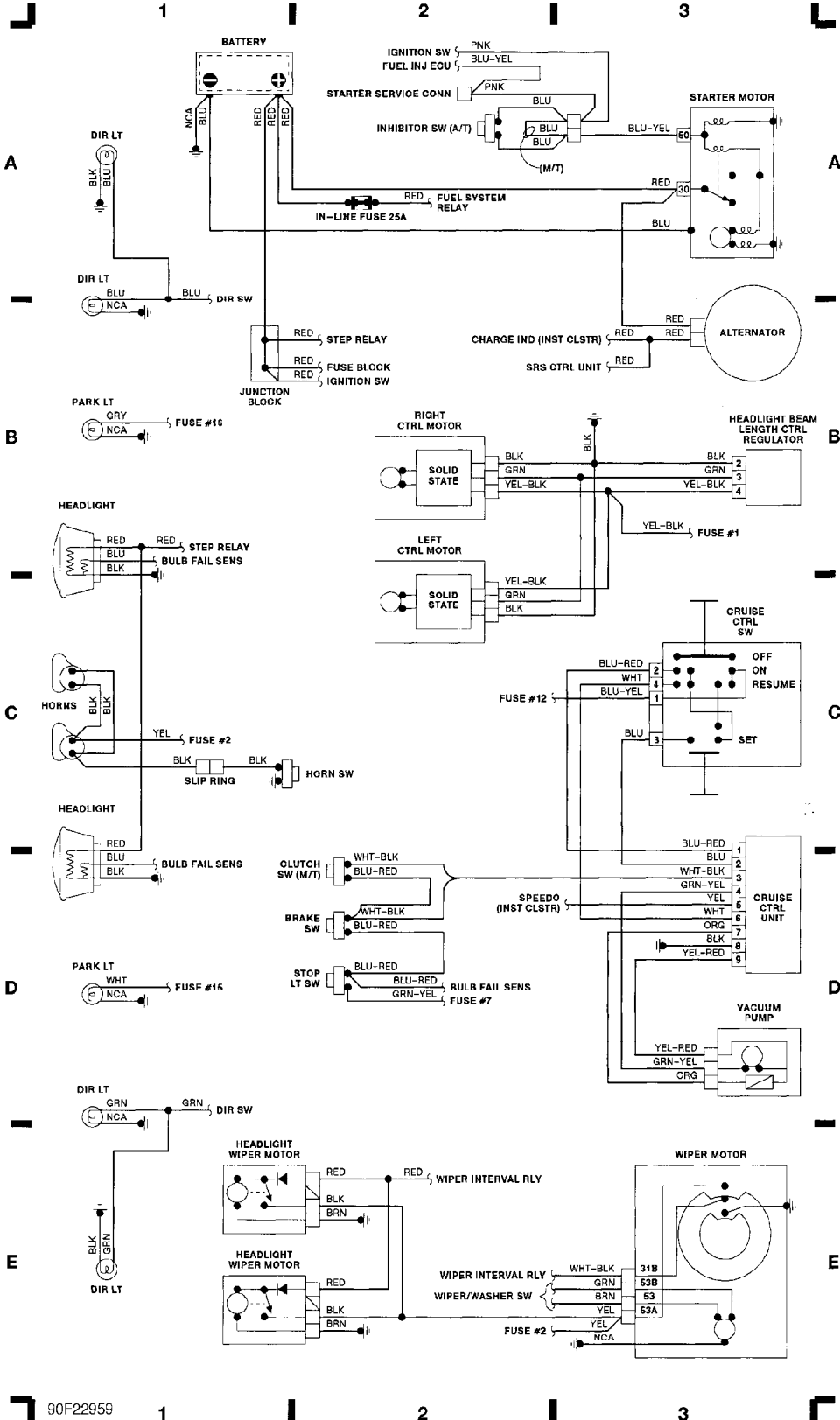


WIRING DIAGRAMS

Fig. 1: Engine Compartment & Headlights (Grid 1-3)
1990 Volvo 240

COMPONENT LOCATOR:

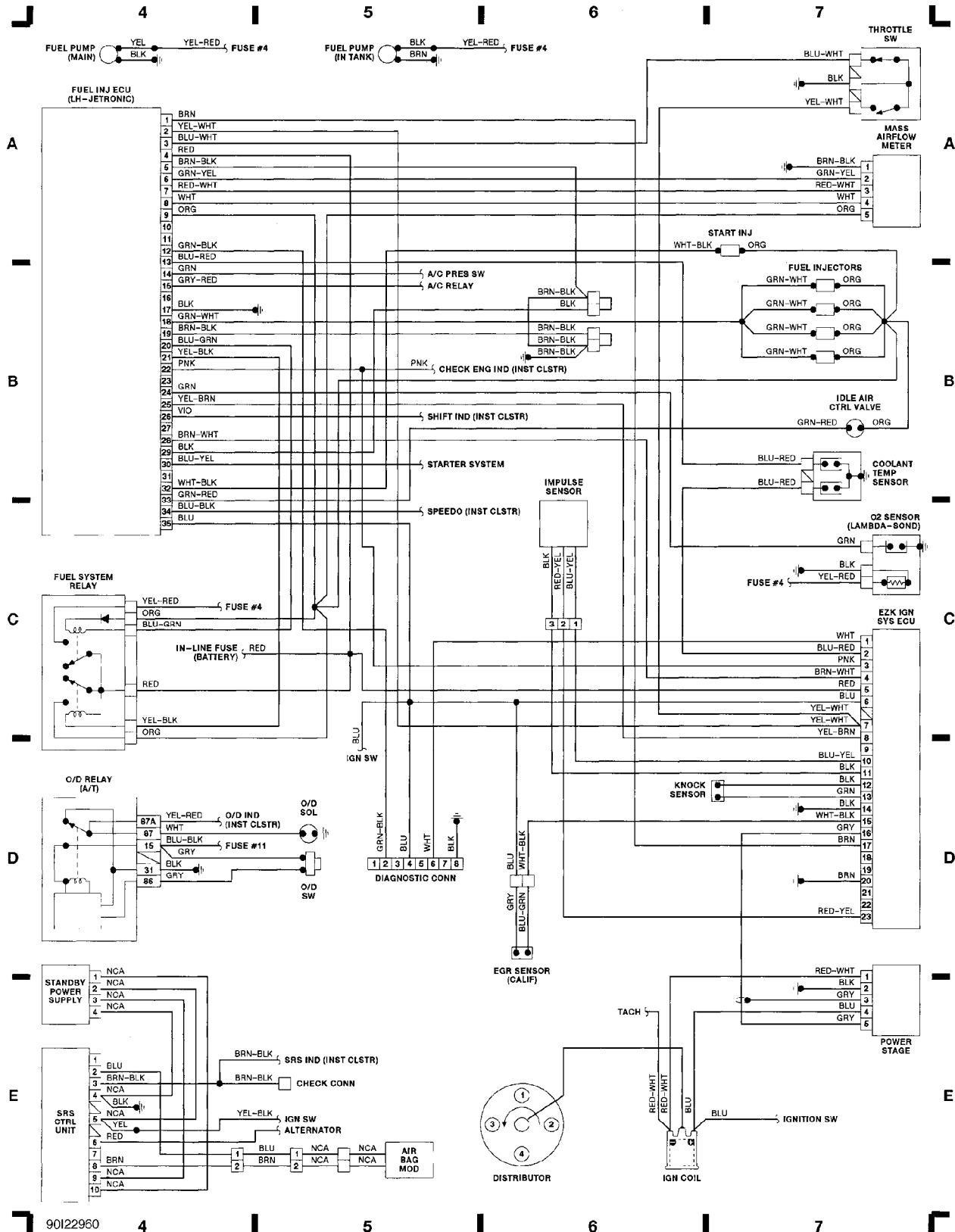
A/C PRES SENS	D 14
A/C RELAY	O 15
ALTERNATOR	B 3
BACK-UP LT SW	B 22
BATTERY	A 1
BRAKE FAIL SW	A 15
BULB FAIL SENS	E 23
CIG LTR	B 10-11
COURTESY LTS	A-5 16
CRUISE CTRL SYSTEM	C-D 2-3
DEFOG SW	C 20
DEFOG TIME DELAY RELAY	B 20
DELAY RELAY	A 15
DIAGNOSTIC CONN	D 5
DIR SW	A 11
DOOR SW	A 19
ENGINE COMPT LT & SW	B 19
EZK IGN SYS ECU	C-D 7
FLASHER RELAY	A-B 9-10
FUEL INJ ECU (LH-JETRONIC)	A-5 4
FUEL PUMP (IN TANK)	A 5
FUEL PUMP (MAIN)	A 4
FUEL SENS	A 15
FUEL SYSTEM RELAY	C 4
FUSE BLOCK	B-E 9-10
GLOVE BOX LT & SW	A 19
HAZARD SW	A-B 11
HEADLIGHT BEAM LENGTH CTRL SYSTEM	B 2-3
HEADLIGHT RELAY	A-B 3
HEADLIGHT SW	A 9-10
HEADLIGHT WIPER MOTORS	E 1-2
HEATER FAN SWS	E 12-15
HORN SW	A 2
IGNITION COIL	B 8
IGNITION SW	B-C 9
IN-LINE FUSE	A 2
INHIBITOR SW	A 2
INSTRUMENT CLUSTER	A-D 12-13
JUNCTION BLOCK	B 1
O/D RELAY (A/T)	D 4
O2 SENSOR	C 7
OIL PRES SENS	B 15
PANEL LTS	E 12-13
PARK BRAKE SW	A 15
POWER ANTENNA	D 22
POWER DOOR LOCKS	D-E 19
POWER MIRROR SWS	D-E 16
POWER STAGE	E 7
POWER WINDOW RELAY	B 17-18
REAR FOG LT SW	B-C 21
REAR WIPER/WASHER SYSTEM	A-B 20-22
RHEOSTAT	D 12
SEAT BELT SWS & LTS	D-E 9-9
SEAT HEATER SYSTEM	C-D 20-21
SPEED SENS	D 14
SRS CTRL UNIT	E 4
STARTER SYSTEM	A 3
STEP RELAY	A 8
STOP LT SW	D 2
TEMP SENS	B 15
TRUNK LT & SW	C 19
WIPER INTERVAL RELAY	C 15
WIPER MOTOR	E 3
WIPER/WASHER SW	B-C 15



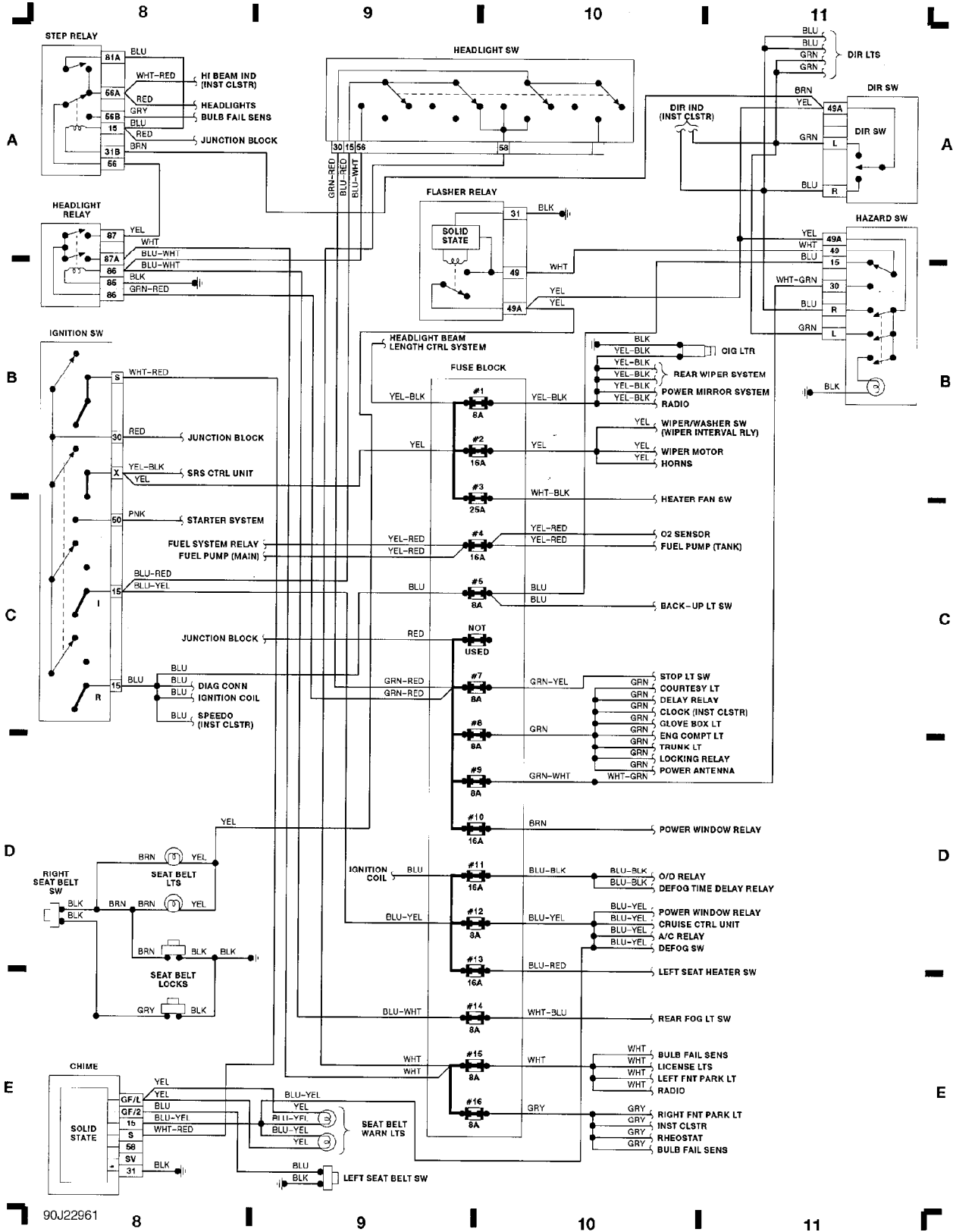
WIRING DIAGRAMS

Fig. 2: Computer Engine Control (Grid 4-7)

1990 Volvo 240



WIRING DIAGRAMS
Fig. 3: Fuse Block, Steering Column (Grid 8-11)
 1990 Volvo 240



WIRING DIAGRAMS

Fig. 4: Instrument Panel, A/C & Heater, Wiper/Washer (Grid 12-15)
1990 Volvo 240

