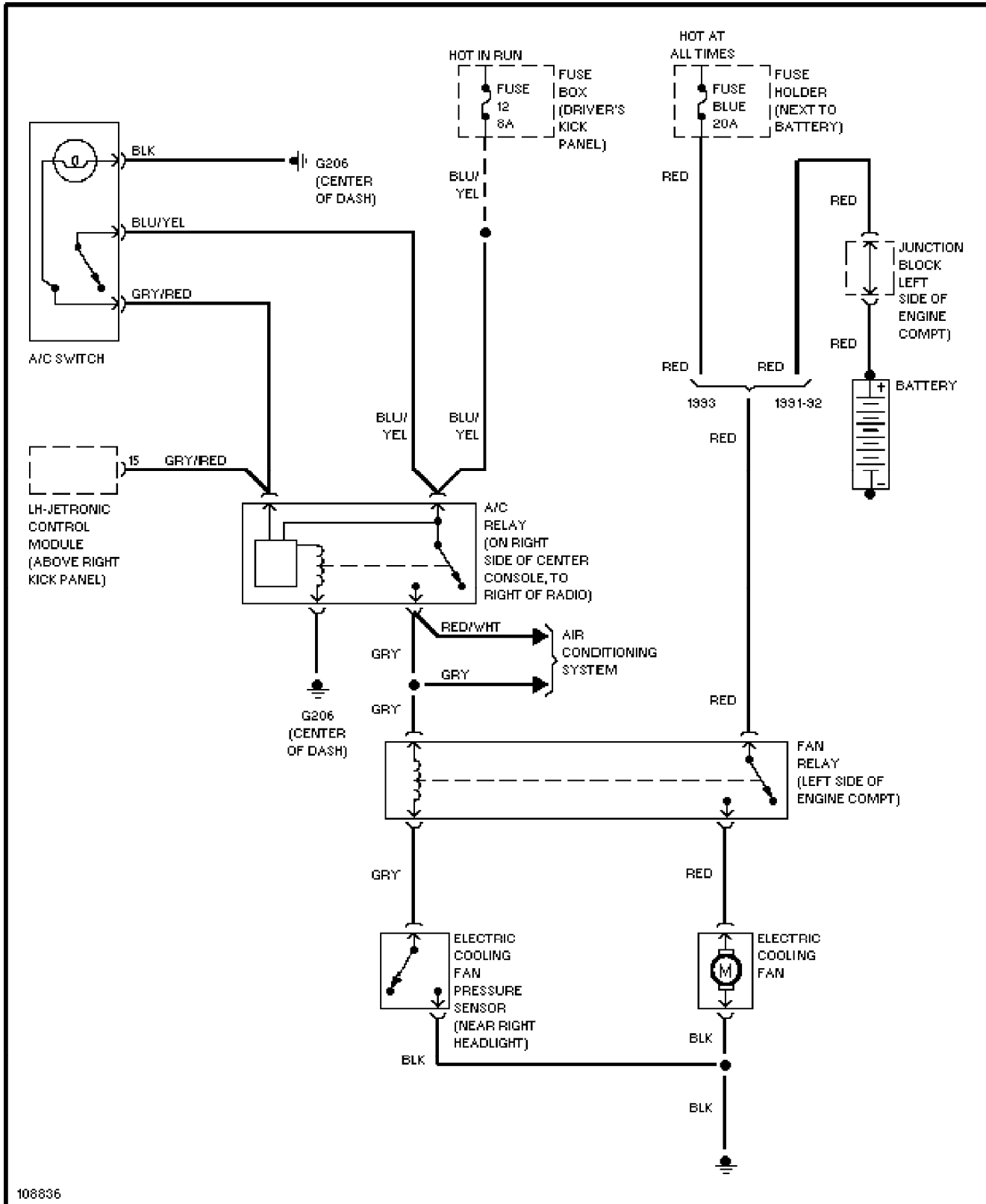


SYSTEM WIRING DIAGRAMS

Cooling Fan Circuit

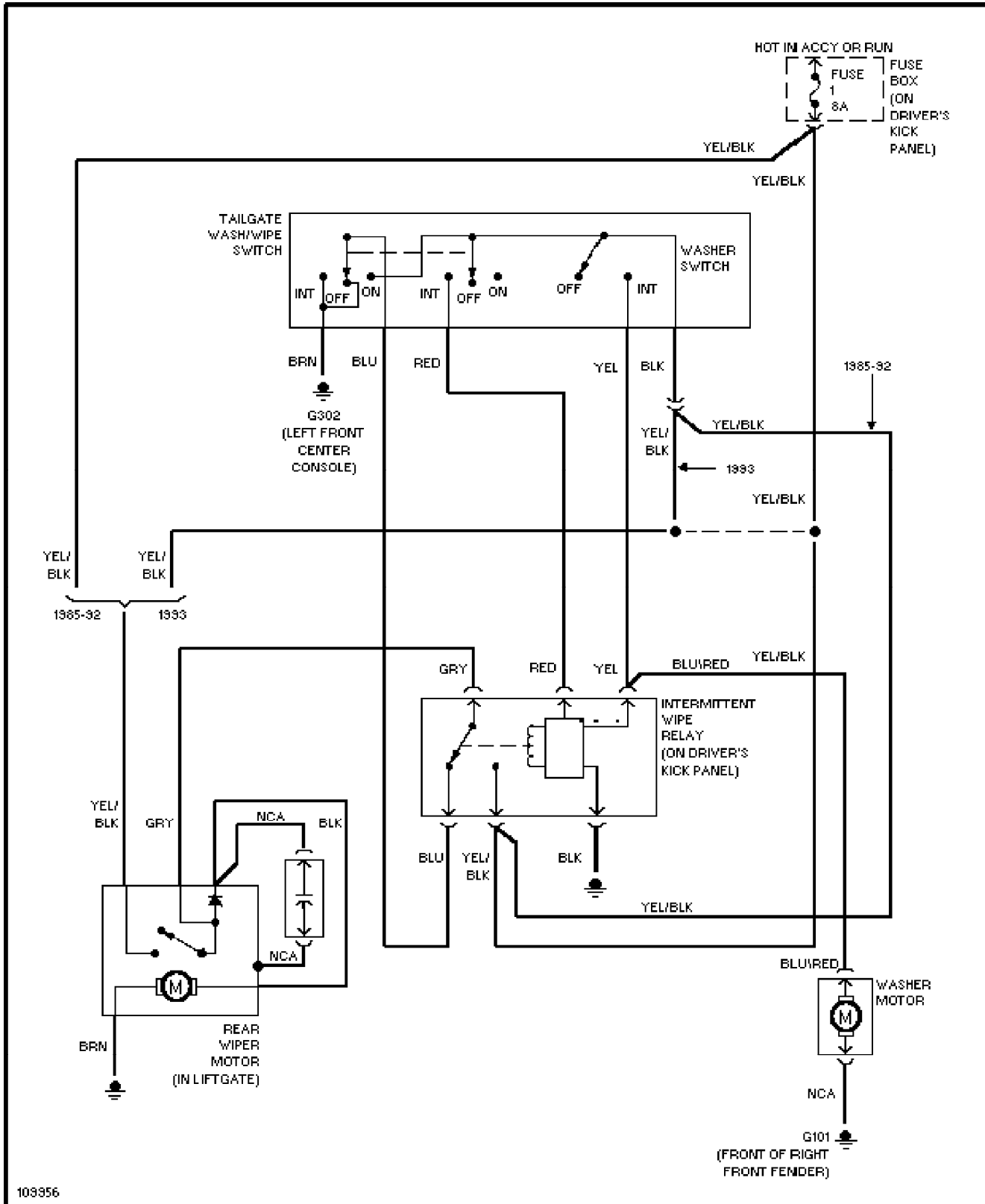
1992 Volvo 240



SYSTEM WIRING DIAGRAMS

Rear Washer/Wiper W/ Intermittent Relay Circuit

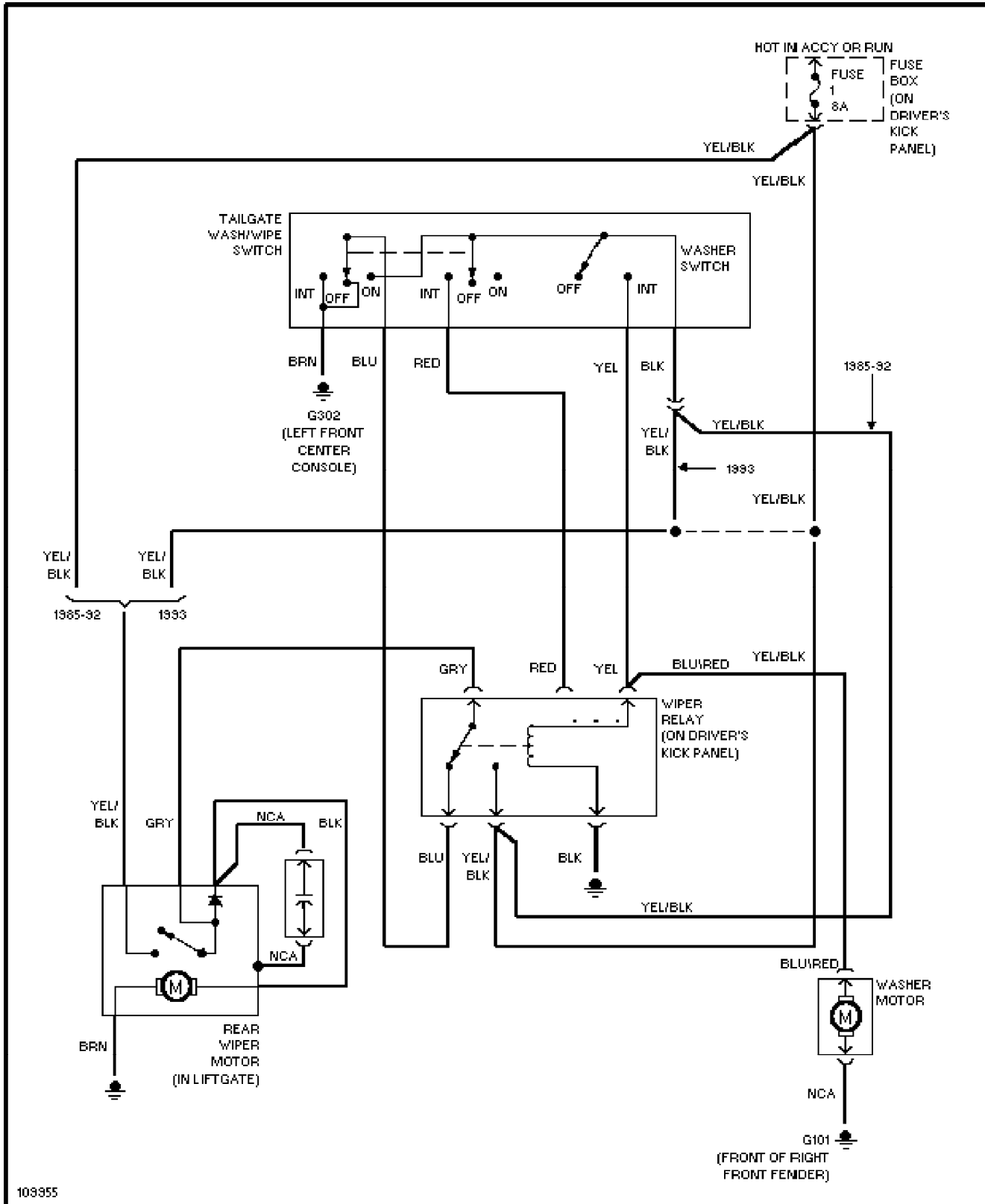
1992 Volvo 240



SYSTEM WIRING DIAGRAMS

Rear Washer/Wiper W/O Intermittent Relay Circuit

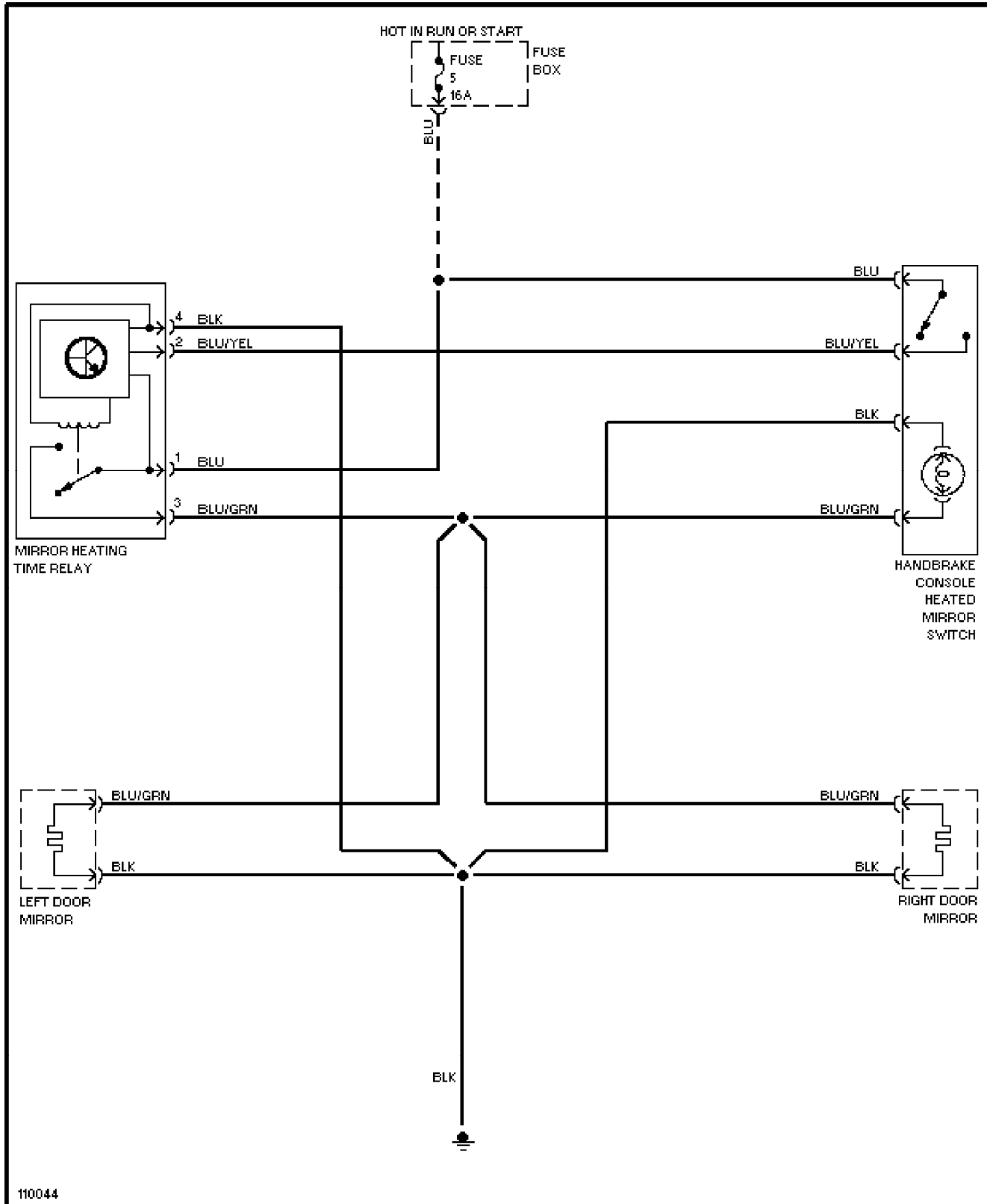
1992 Volvo 240



SYSTEM WIRING DIAGRAMS

Heated Mirrors Circuit

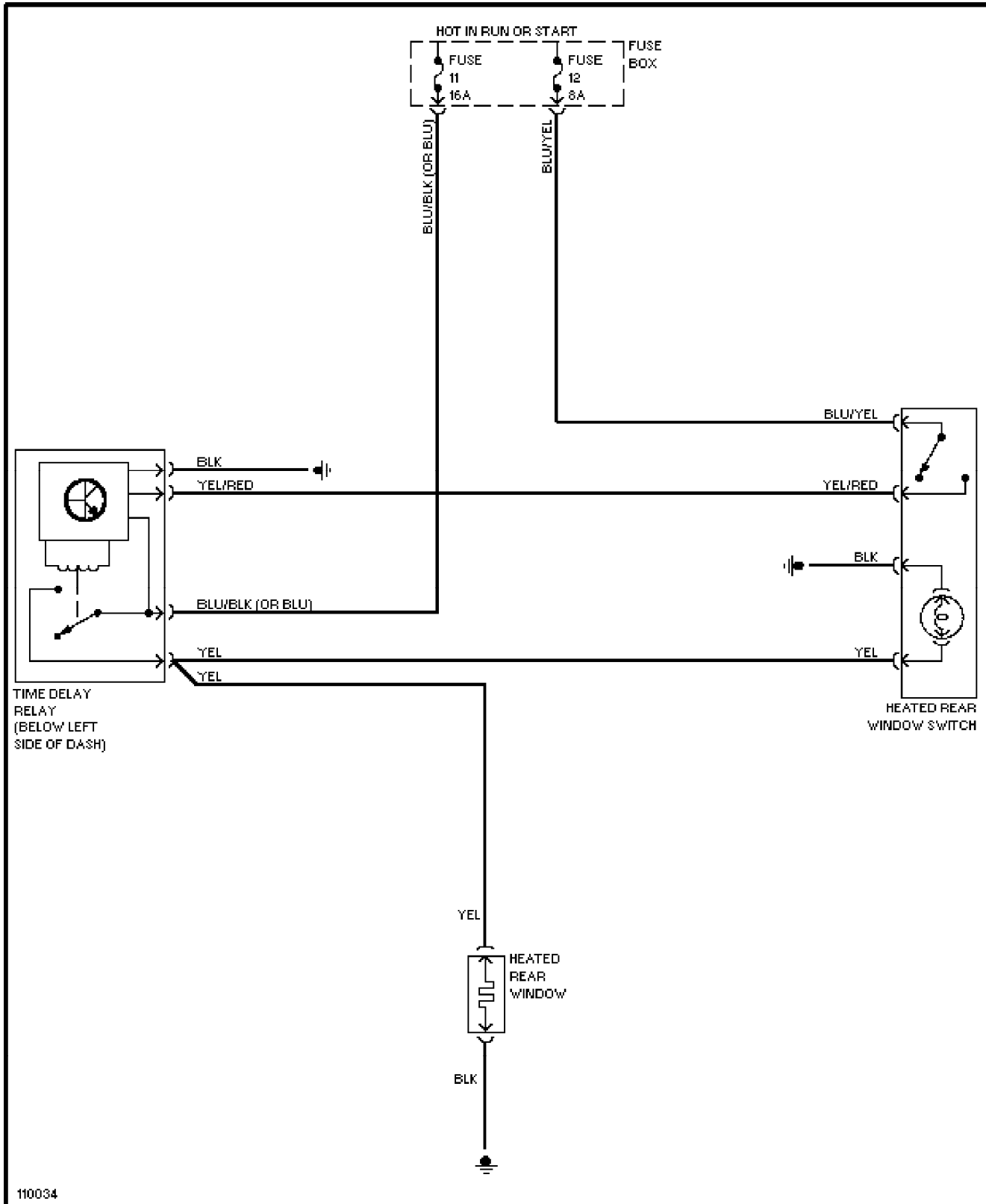
1992 Volvo 240



SYSTEM WIRING DIAGRAMS

Rear Defogger Circuit

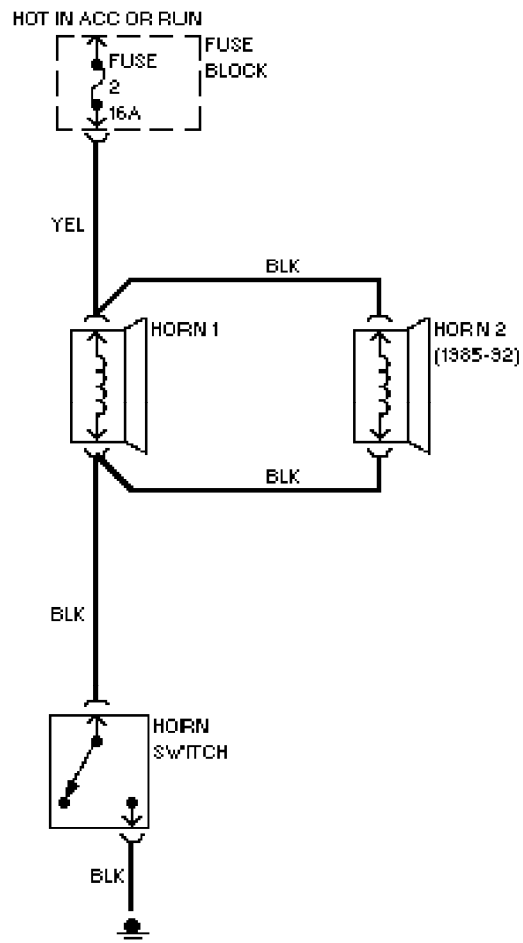
1992 Volvo 240



SYSTEM WIRING DIAGRAMS

Horn Circuit

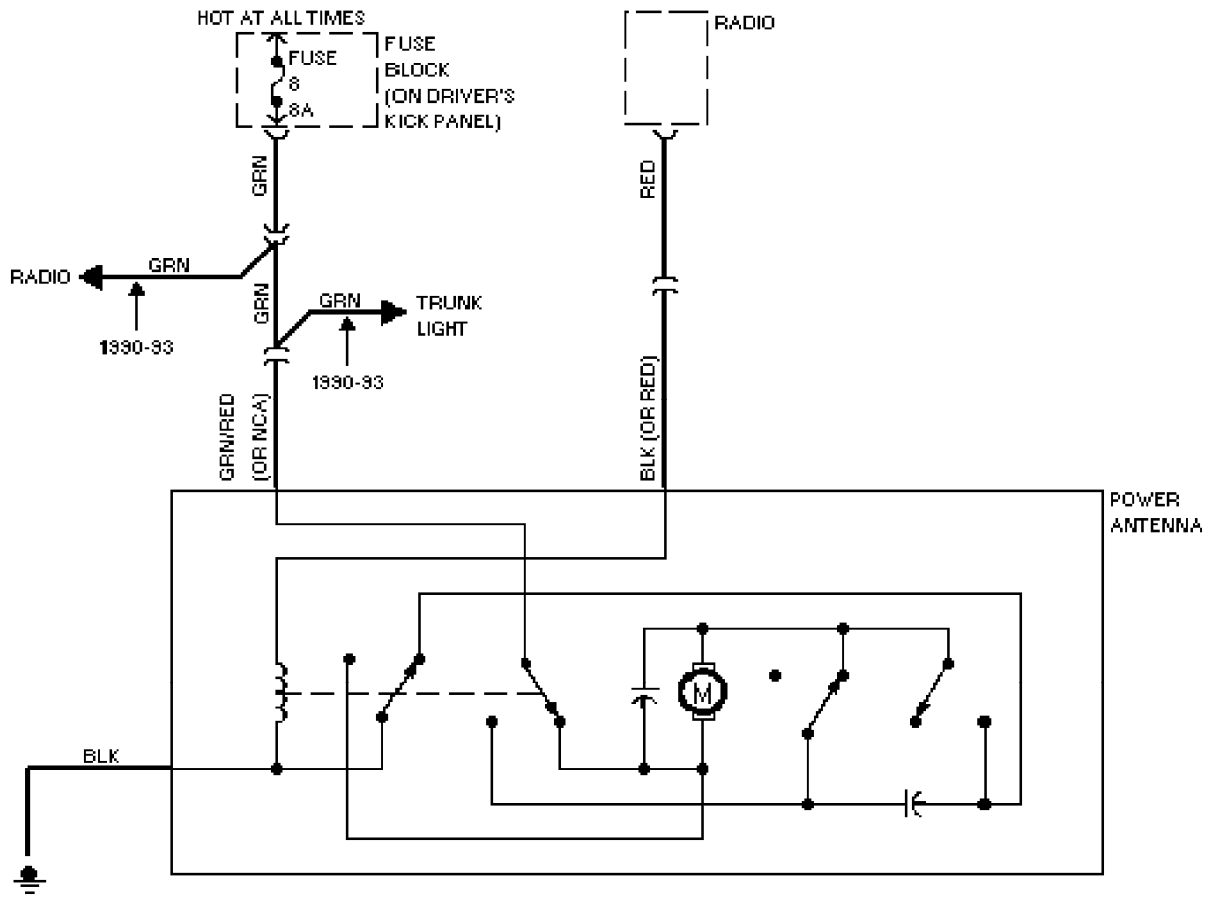
1992 Volvo 240



SYSTEM WIRING DIAGRAMS

Power Antenna Circuit

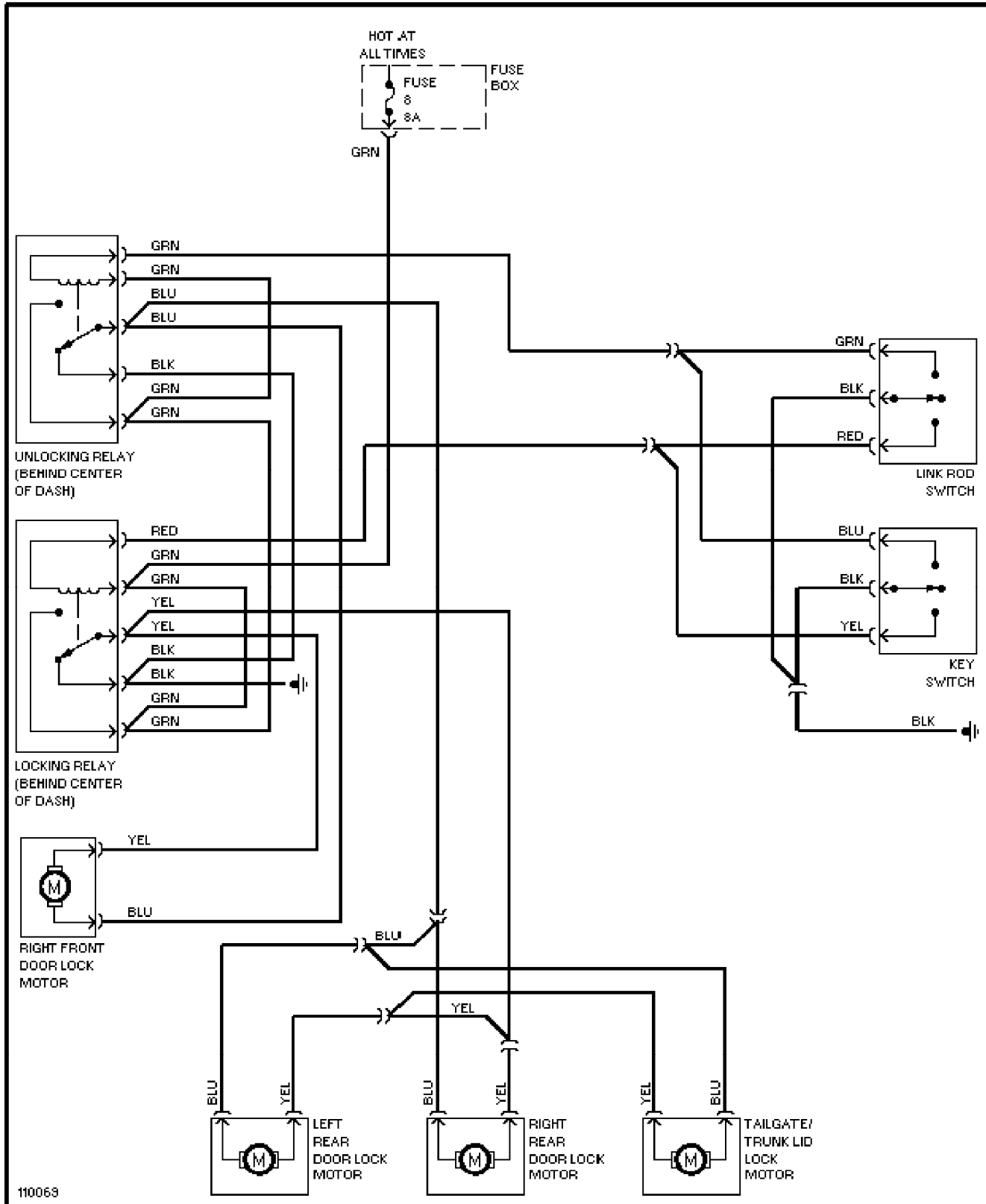
1992 Volvo 240



SYSTEM WIRING DIAGRAMS

Power Door Lock Circuit

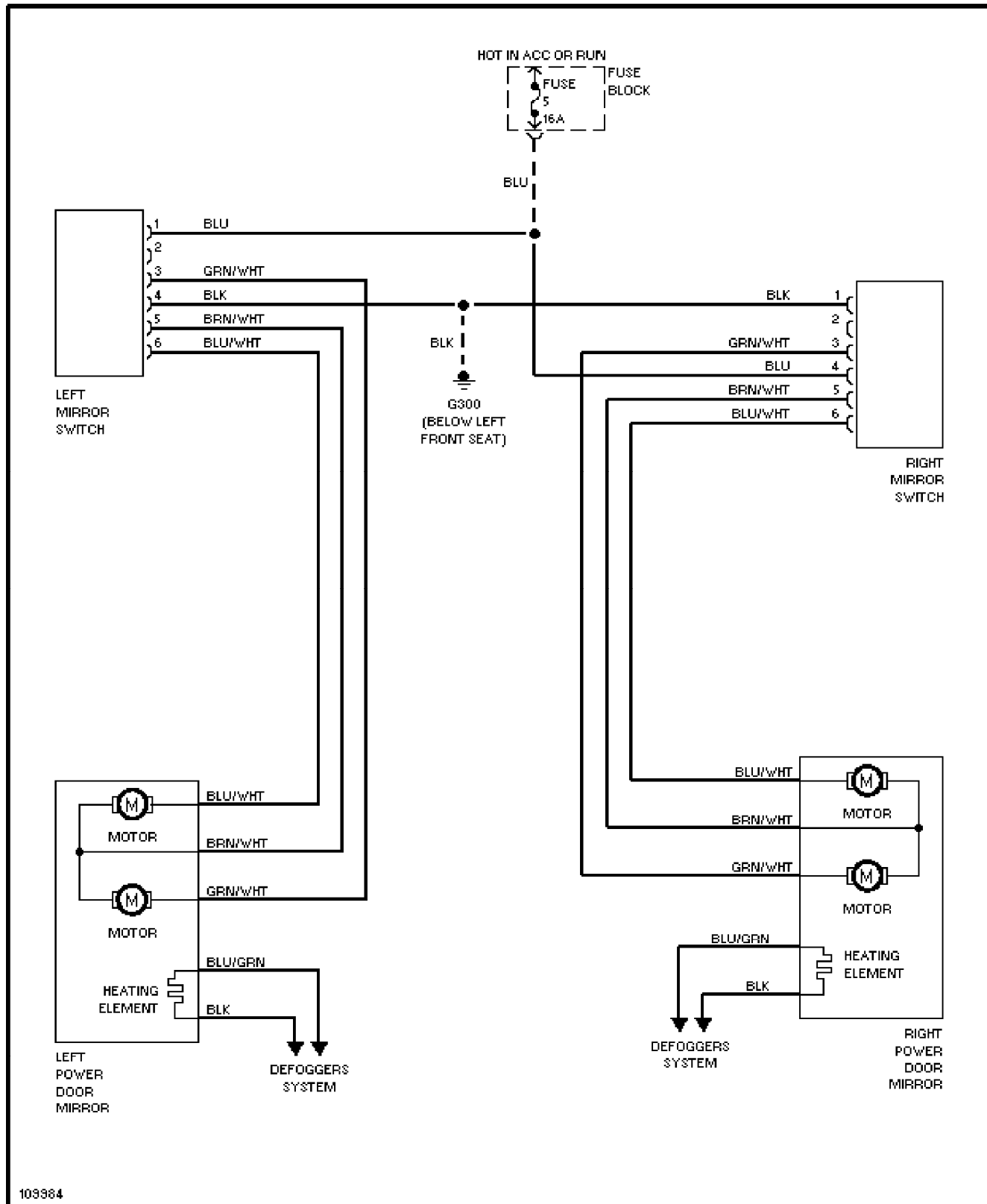
1992 Volvo 240



SYSTEM WIRING DIAGRAMS

Power Mirror Circuit

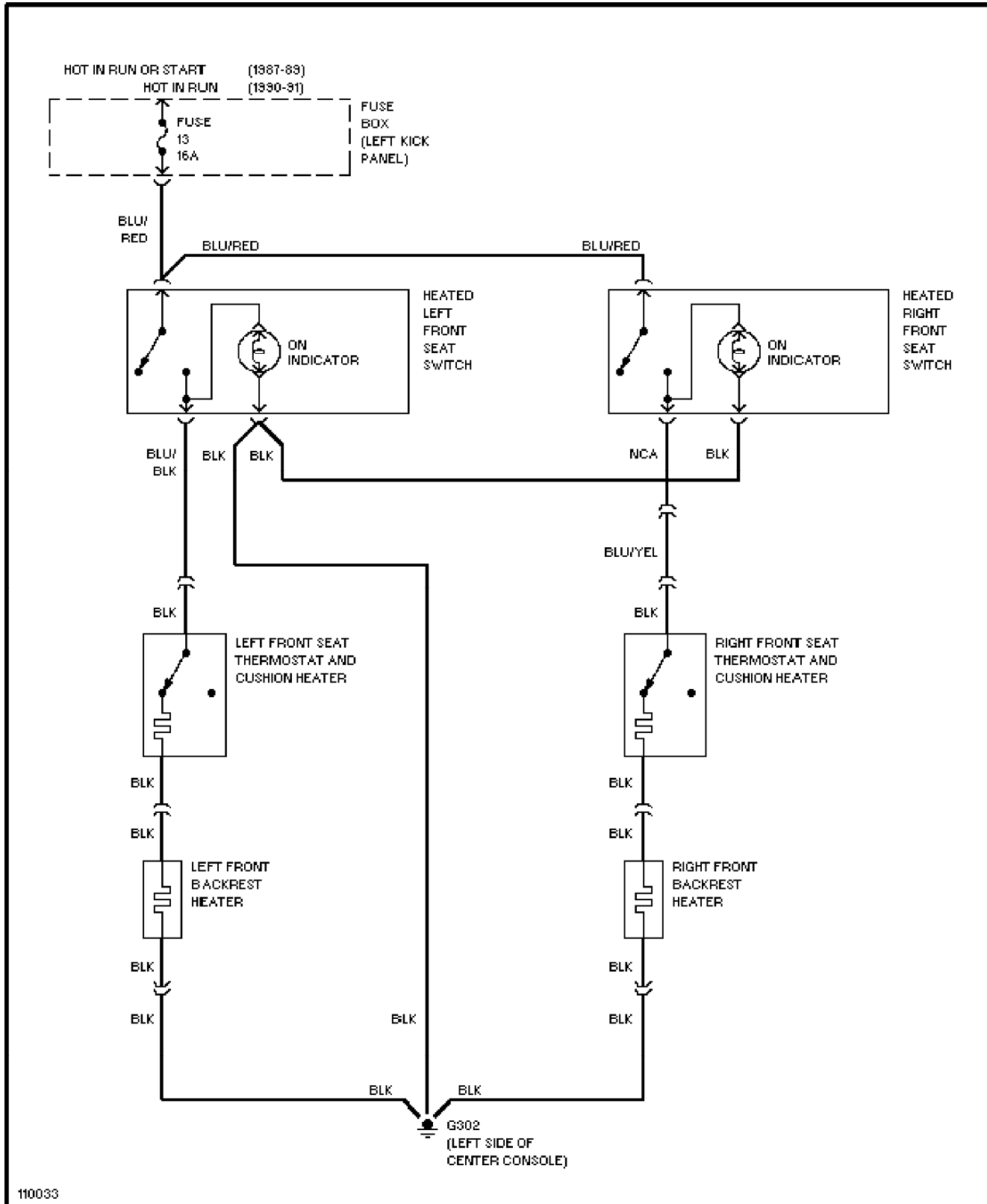
1992 Volvo 240



SYSTEM WIRING DIAGRAMS

Heated Seats Circuit

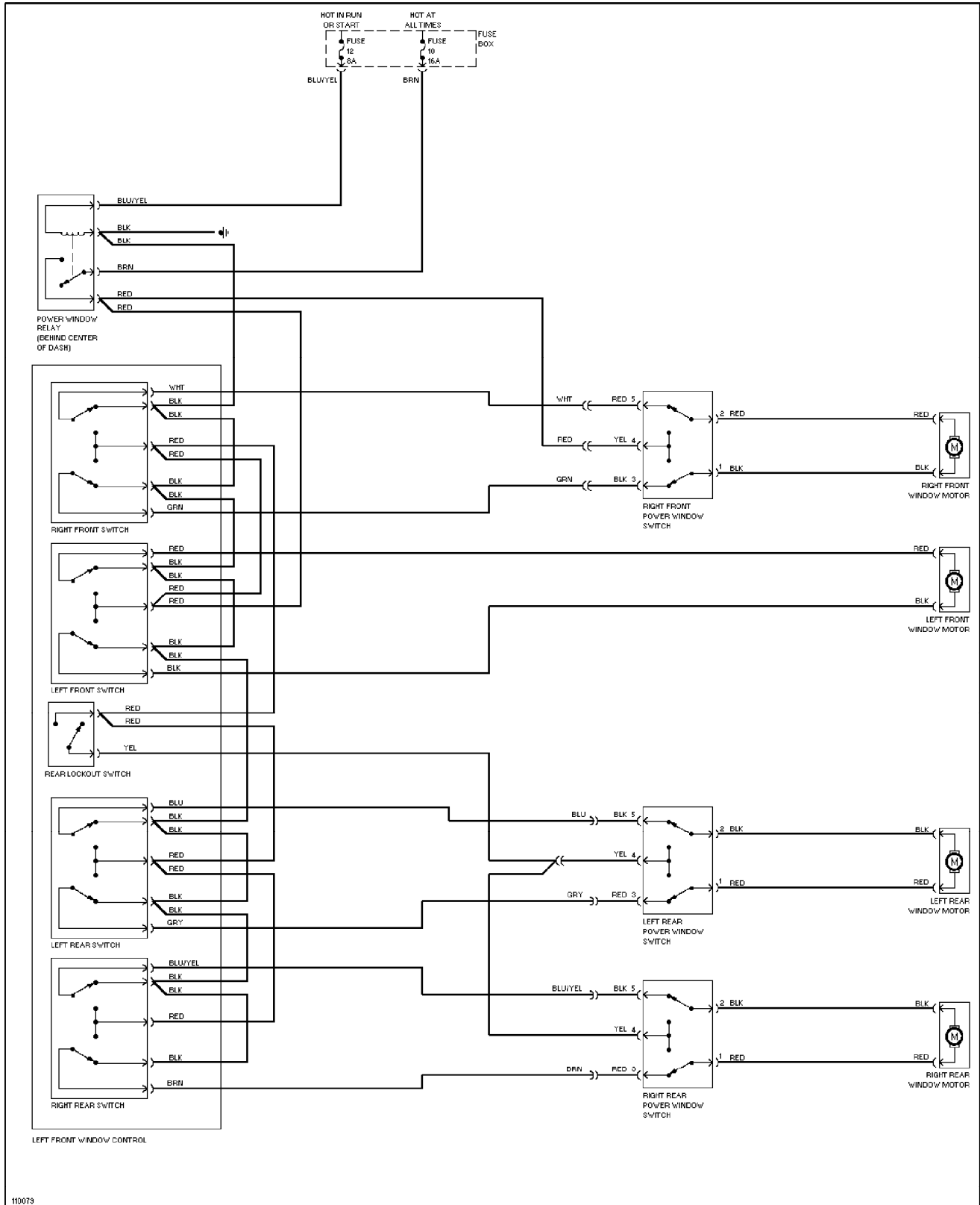
1992 Volvo 240



SYSTEM WIRING DIAGRAMS

Power Window Circuit

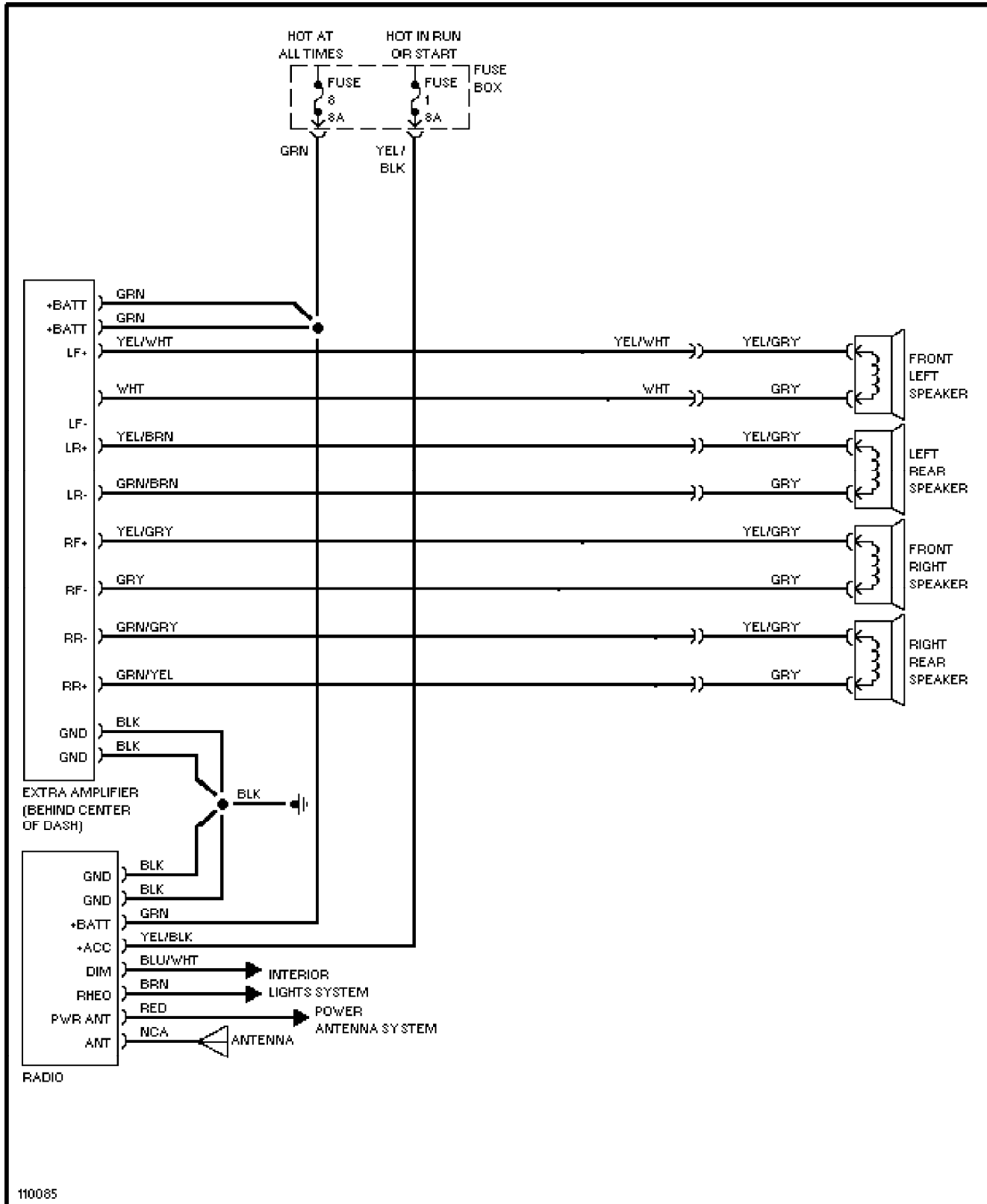
1992 Volvo 240



SYSTEM WIRING DIAGRAMS

Radio Circuits

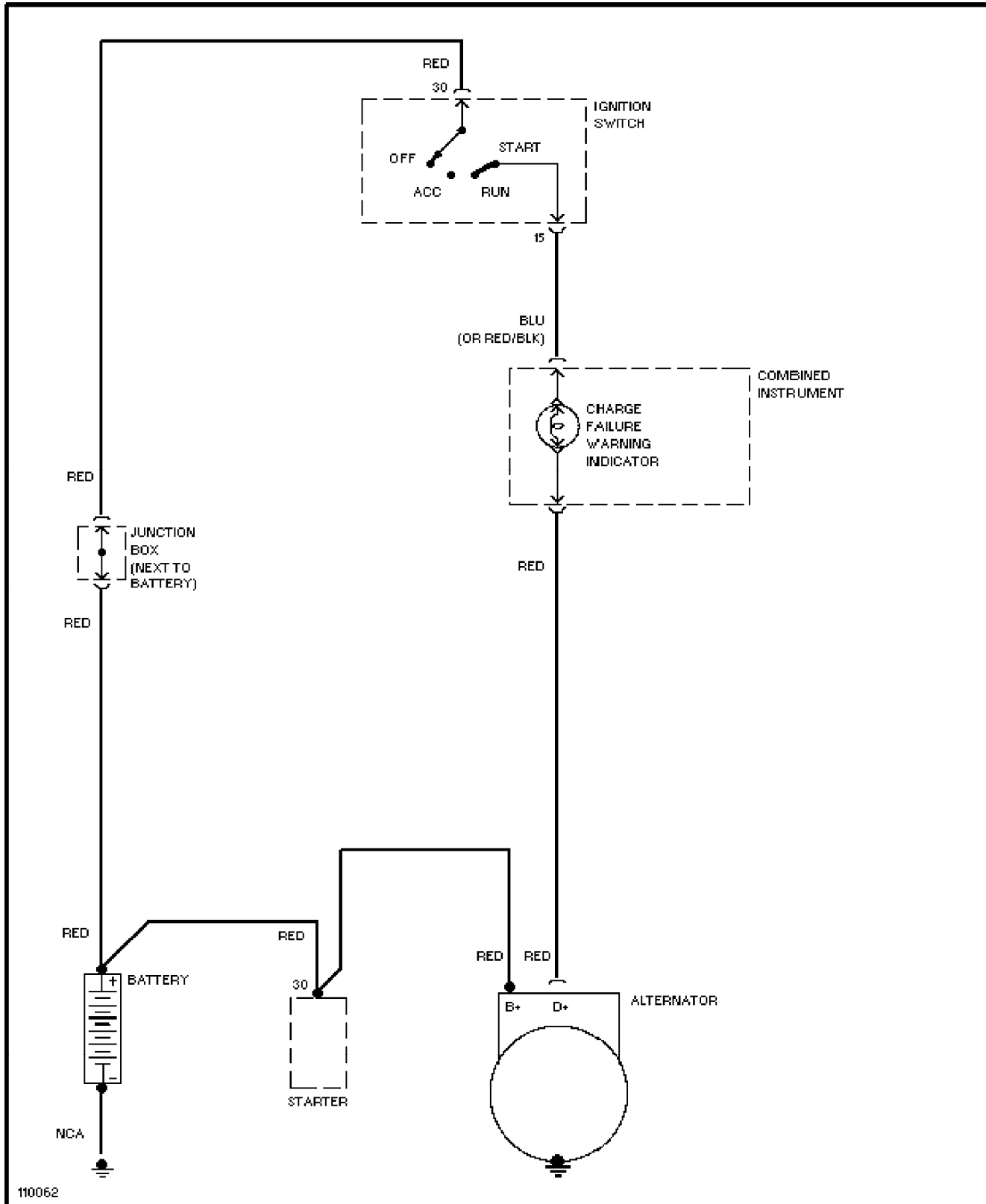
1992 Volvo 240



SYSTEM WIRING DIAGRAMS

Charging Circuit

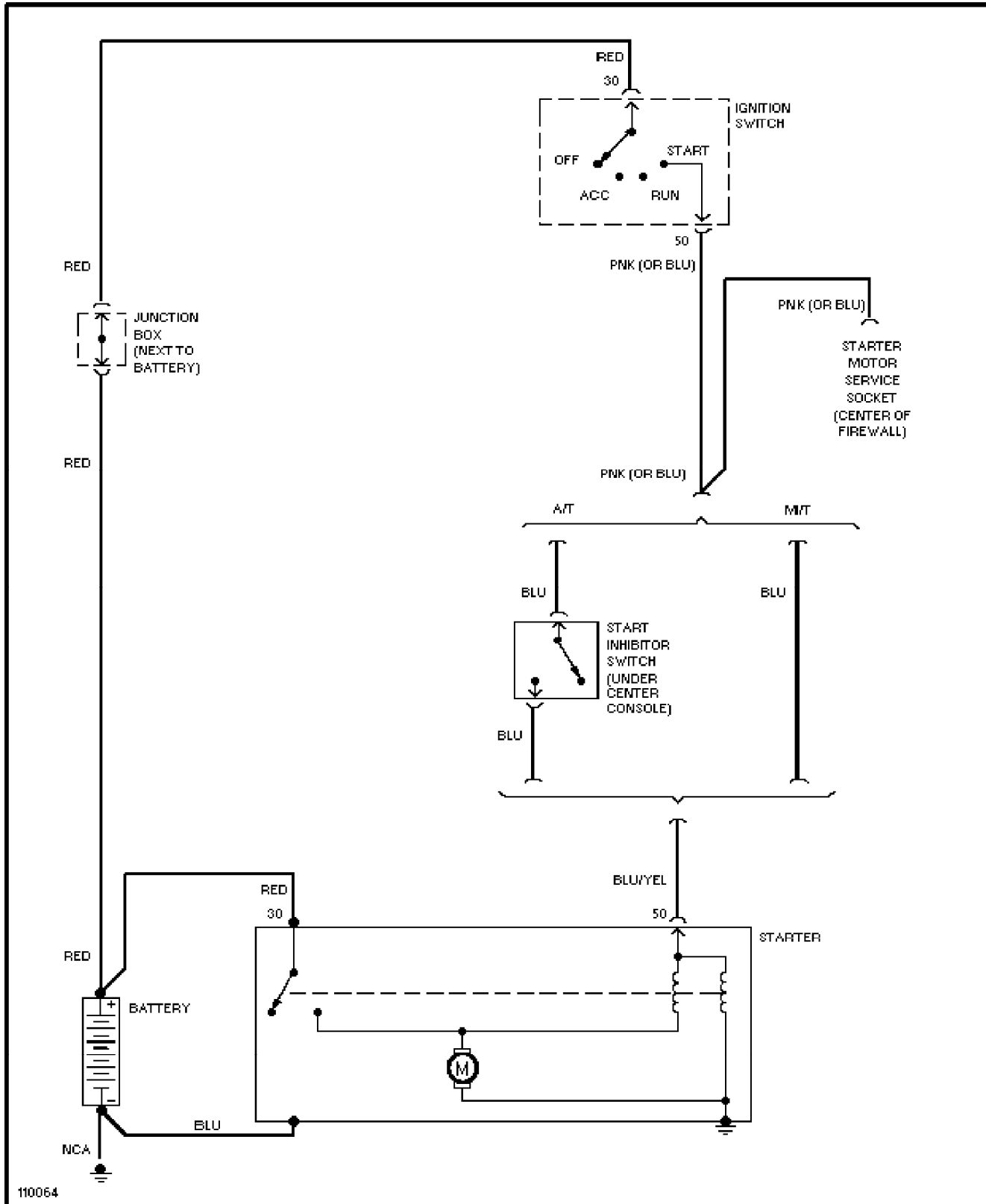
1992 Volvo 240



SYSTEM WIRING DIAGRAMS

Starting Circuit

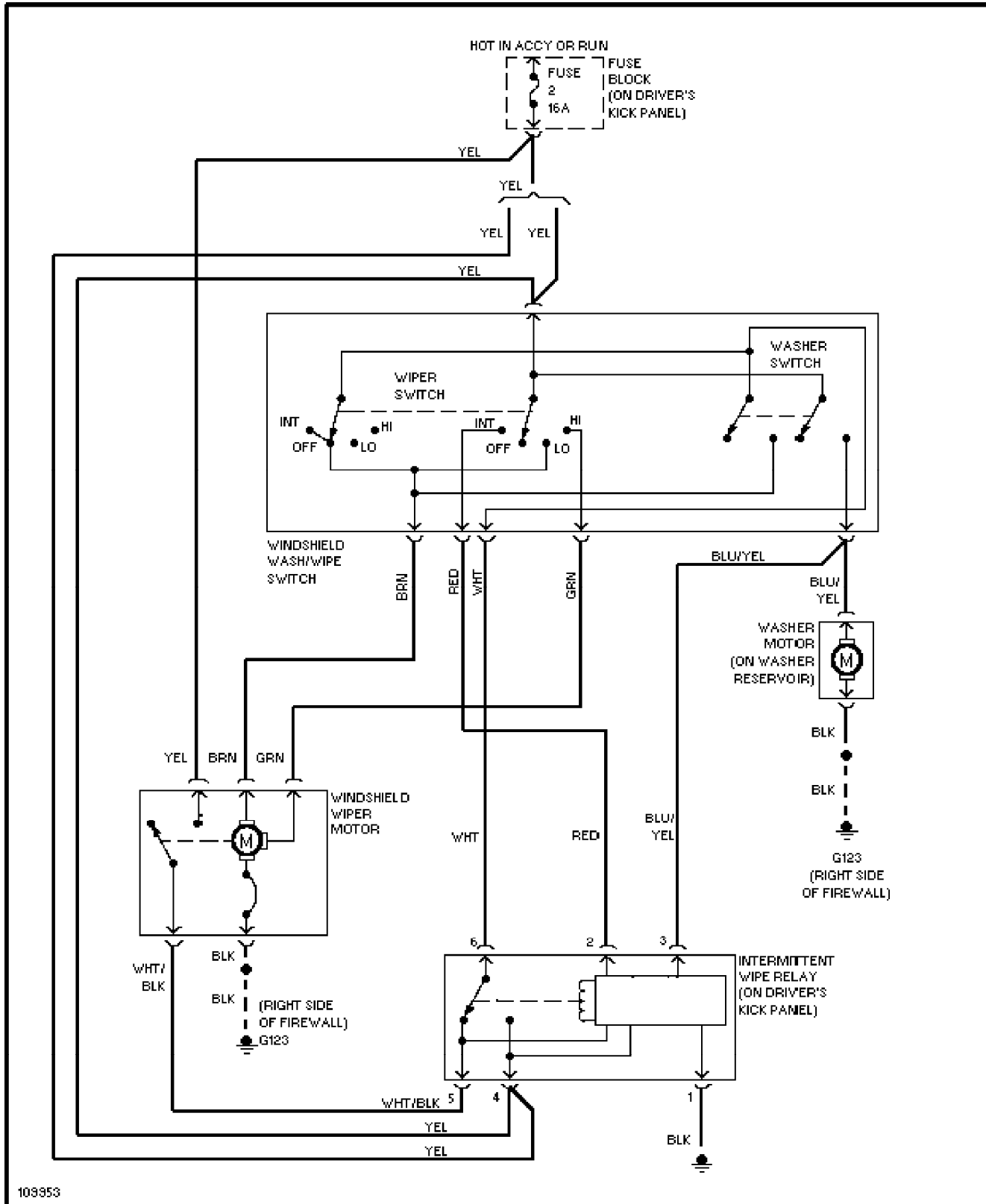
1992 Volvo 240



SYSTEM WIRING DIAGRAMS

Front Washer/Wiper Circuit

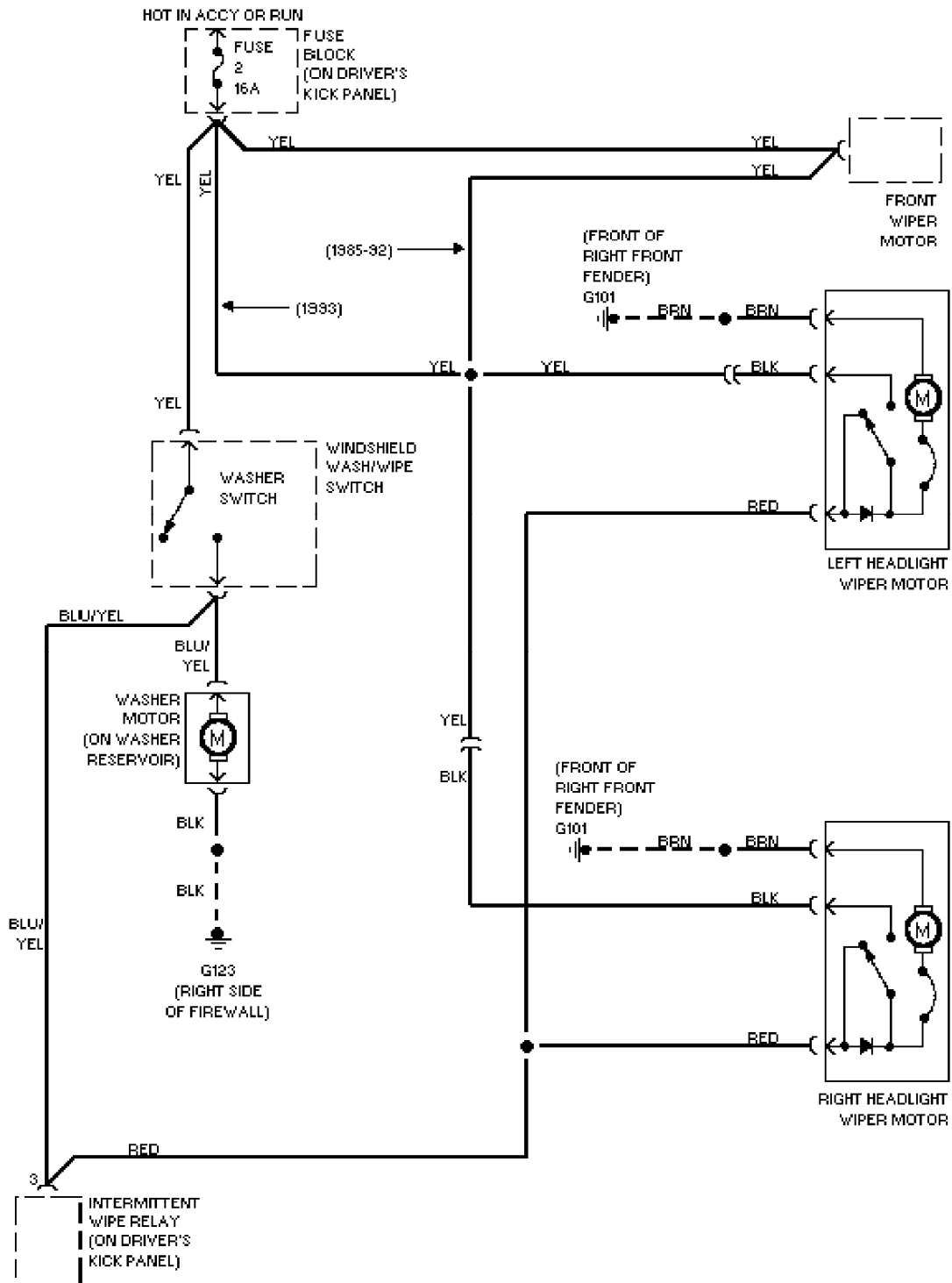
1992 Volvo 240



SYSTEM WIRING DIAGRAMS

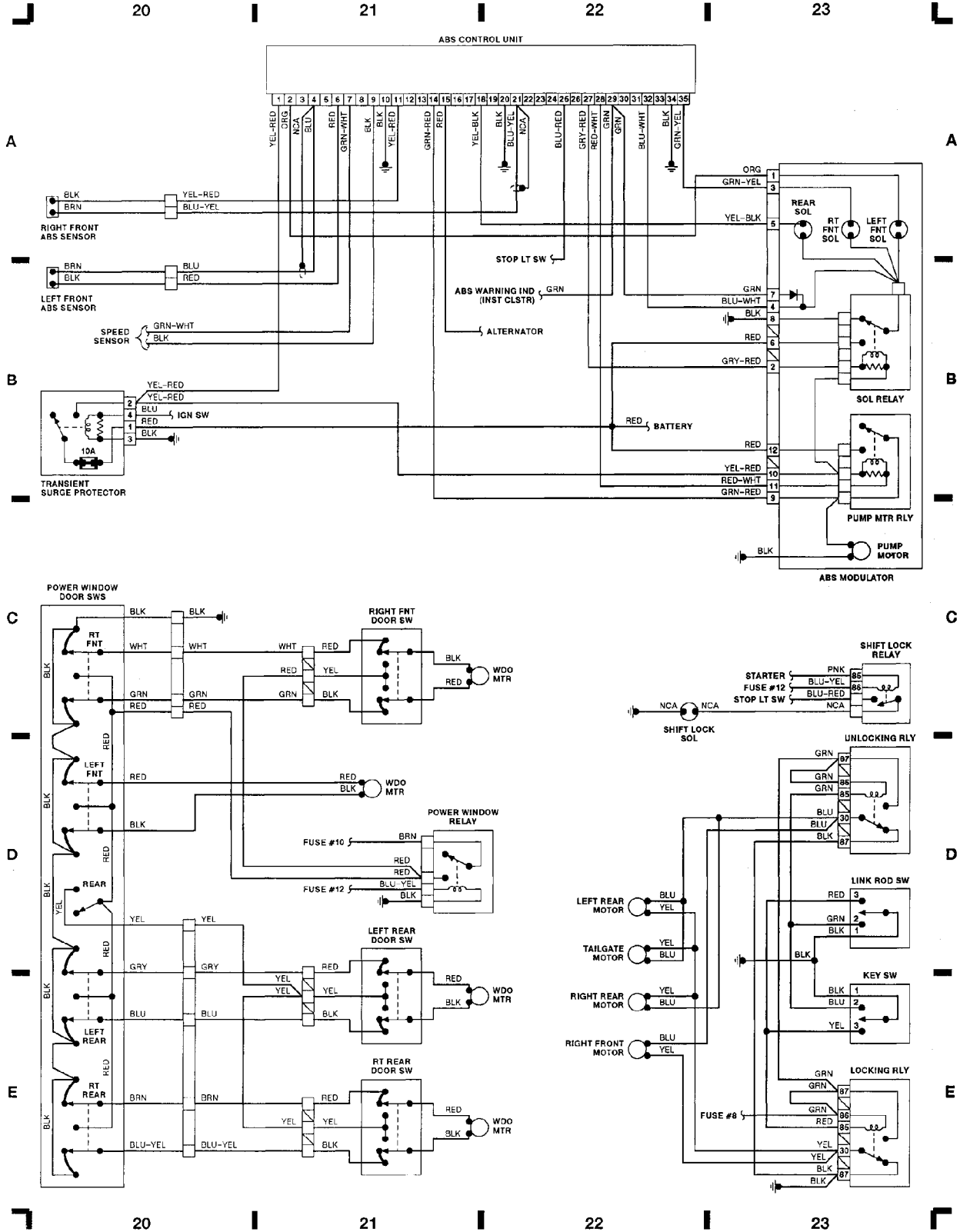
Headlight Washer/Wiper Circuit

1992 Volvo 240

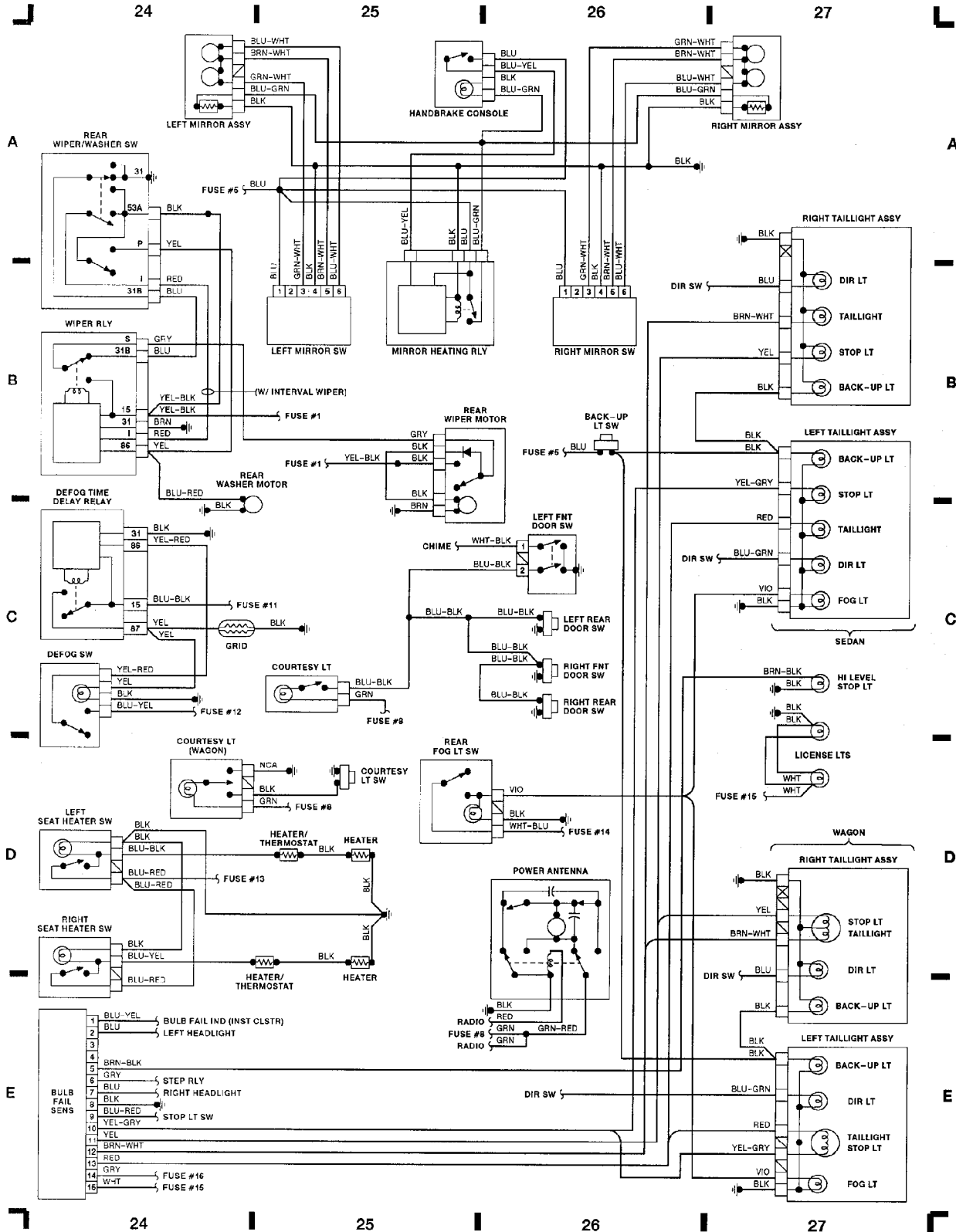


WIRING DIAGRAMS

Fig. 6: ABS Control Unit, Power Window/Door Switches (Grid 20-23)
1992 Volvo 240



WIRING DIAGRAMS
Fig. 7: Rear Wiper/Washer Sw, Tail Lights (Grid 24-27)
 1992 Volvo 240

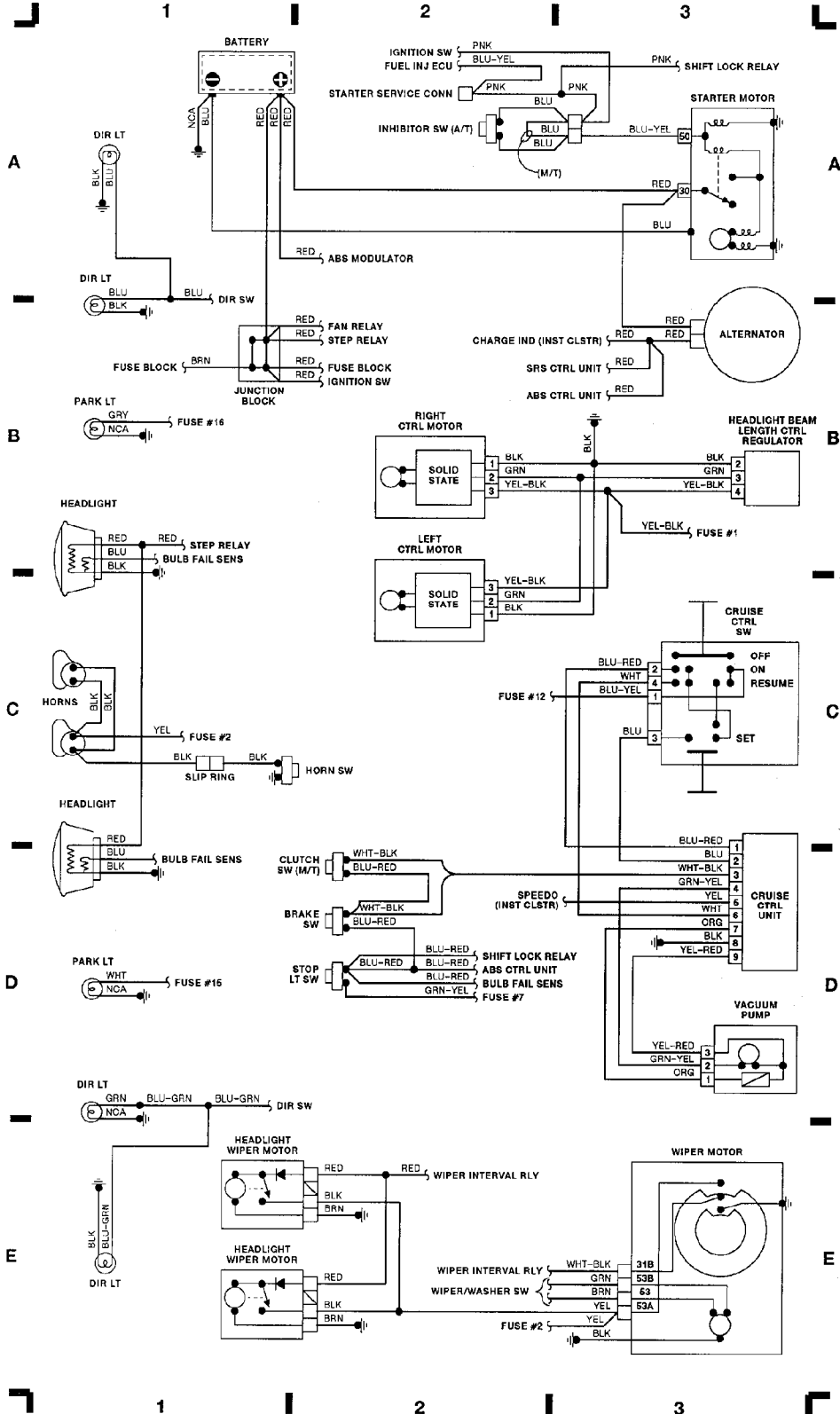


WIRING DIAGRAMS

Fig. 1: Engine Compartment, Headlights (Grid 1-3)
1992 Volvo 240

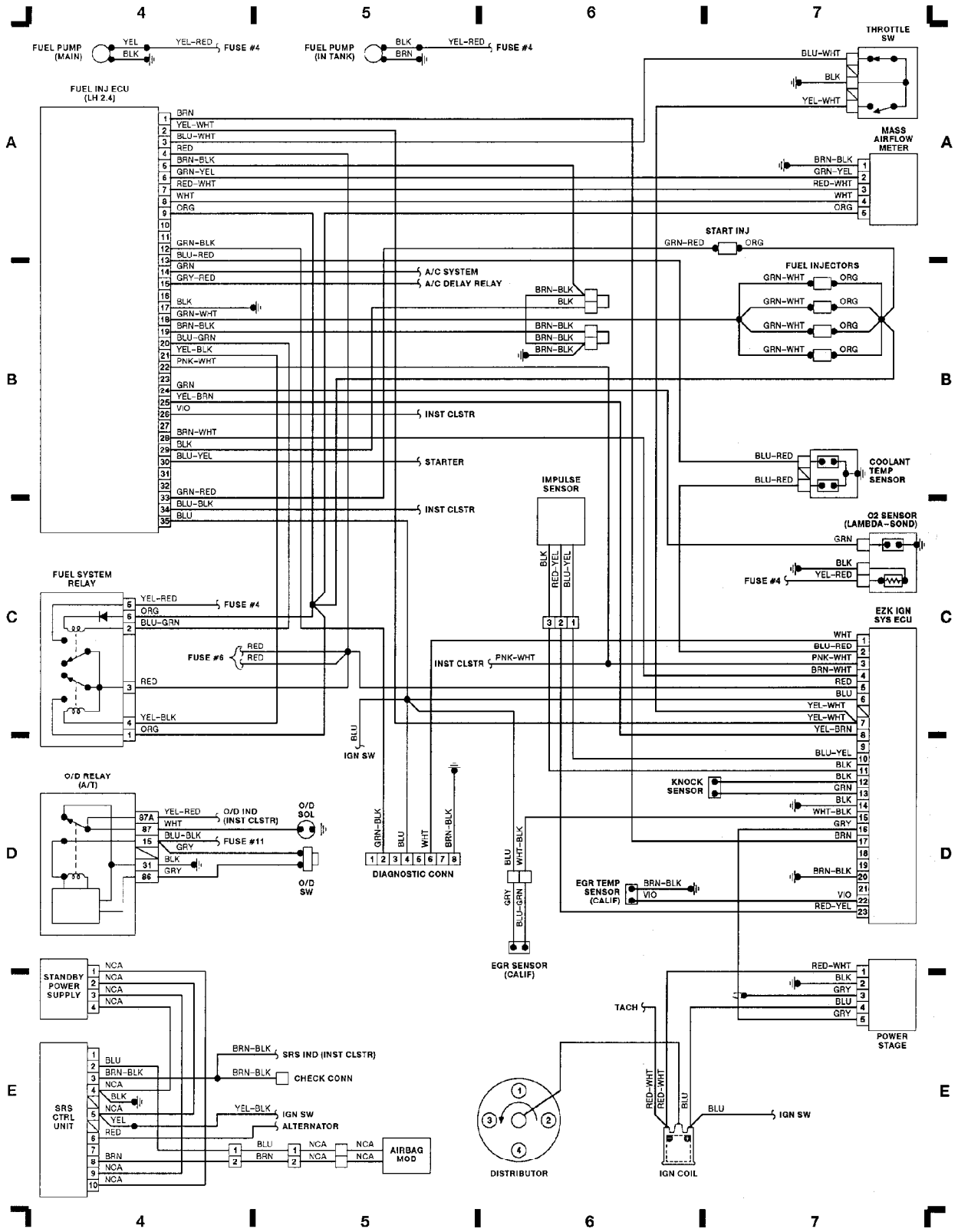
COMPONENT LOCATOR:

A/C SYSTEM	D-E 18-19
ABS SYSTEM	A-C 20-23
ALTERNATOR	B 3
BACK-UP LT SW	B 28
BATTERY	A 1
BRAKE FAIL SW	A 19
BULB FAIL SENS	E 24
CIG LTR	B 14-15
COURTESY LTS	C-D 24-25
CRUISE CTRL SYSTEM	C-D 2-3
DEFOG SW	C 24
DEFOG TIME DELAY RELAY	C 24
DIAGNOSTIC CONN	D 5, D 3
DIR SW	A 15
DOOR SW	A-3 21
EZK IGN SYSTEM ECU	C-D 7, C-D 15
FAN RELAY	D 19
FLASHER RELAY	A-B 13-14
FUEL INJ. ECU (HETRONIQ)	A-B 4, A-B 5
FUEL PUMP (IN TANK)	A 5, D 8
FUEL PUMP (MAIN)	A 4, D 8
FUEL SENS	A 19
FUEL SYSTEM RELAY	C 4, C 9
FUSE BLOCK	B-E 13-14
GLOVE BOX LT & SW	D 15
HAZARD SW	A-B 15
HEADLT BEAM LENGTH CTRL SYSTEM	B 2-3
HEADLT FAN SWS	E 18-19
HEADLT RELAY	A-B 12
HEADLT SW	A 13-14
HEADLT WIPER MOTORS	E 1-2
HORN SW	E 1-2
IGN COIL	E 6, E 10
IGN SW	B-E 12
INHIBITOR SW	A 2
INST CLSTR	A-D 16-17
JUNCTION BLOCK	B 1
LEFT FRONT DOOR SW	C 26
O/D RELAY (A/T)	D 4
O2 SENS (A/T)	C 7, C 11
OIL PRES SENS	B 19
PANEL LTS	E 16
PARK BRAKE SW	A 19
POWER ANTENNA	E 26
POWER DOOR LOCKS	D-E 22-23
POWER MIRROR SYSTEM	A-B 24-26
POWER WDO SYSTEM	A-C 20-21
REAR FOG LT SW	D 25-26
REAR WIPER/WASHER SYSTEM	D 25-26
R/ELECTAT	D 16
SEAT HEATER SYS	D 24-25
SHIFT LOCK SYSTEM	C 23
SPEED SENS	D 18
SRS SYSTEM	E 4-5
STARTER MOTOR	A 3
STEP RELAY	A 12
STOR LT SW	D 2
TEMP SENS	B 18
TRUNK LT SW	C 15
WIPER INTERVAL RELAY	C 19
WIPER MOTOR	E 3
WIPER/WASHER SW	B-C 19



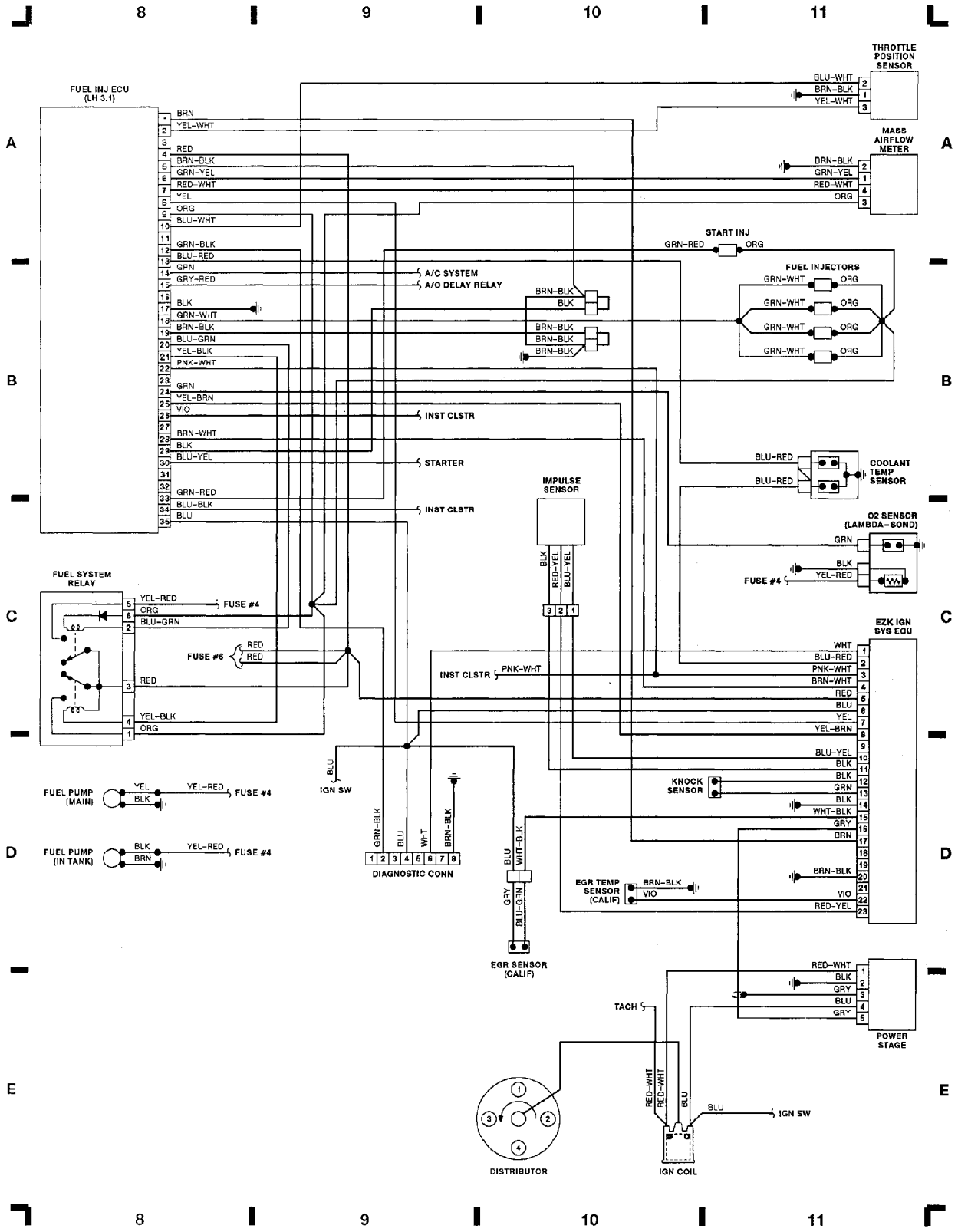
WIRING DIAGRAMS

Fig. 2: Fuel Injector ECU (LH 2.4), EZK Ignition System (Grid 4-7)
1992 Volvo 240



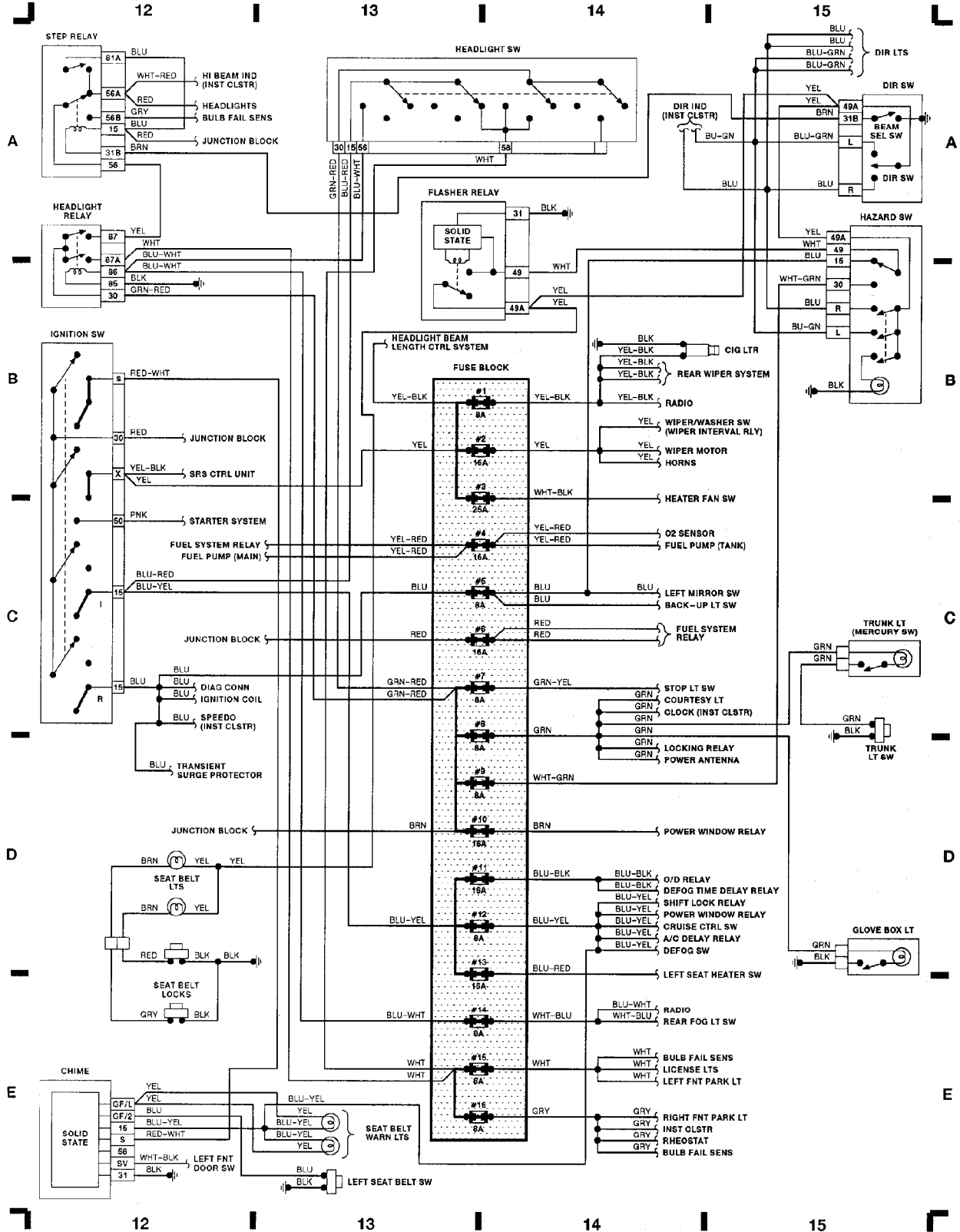
WIRING DIAGRAMS

Fig. 3: Fuel Injector ECU (LH 3.1), EZK Ignition System (Grid 8-11)
1992 Volvo 240



WIRING DIAGRAMS

Fig. 4: Fuse Block, Ignition Switch, Headlight Switch (Grid 12-15) 1992 Volvo 240



WIRING DIAGRAMS

Fig. 5: Instrument Cluster, A/C Delay Relay, A/C Sw (Grid 16-19)
1992 Volvo 240

