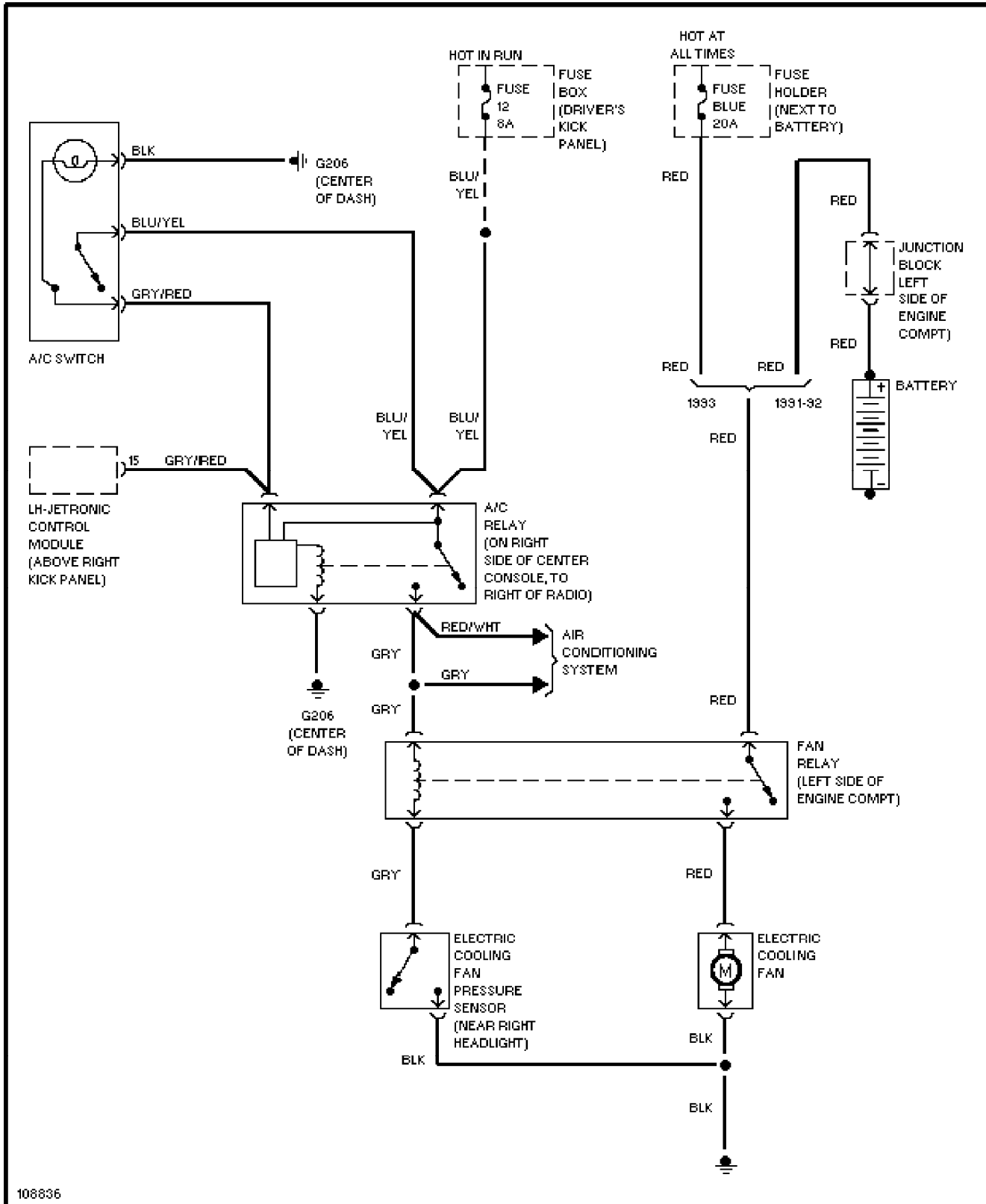


# SYSTEM WIRING DIAGRAMS

## Cooling Fan Circuit

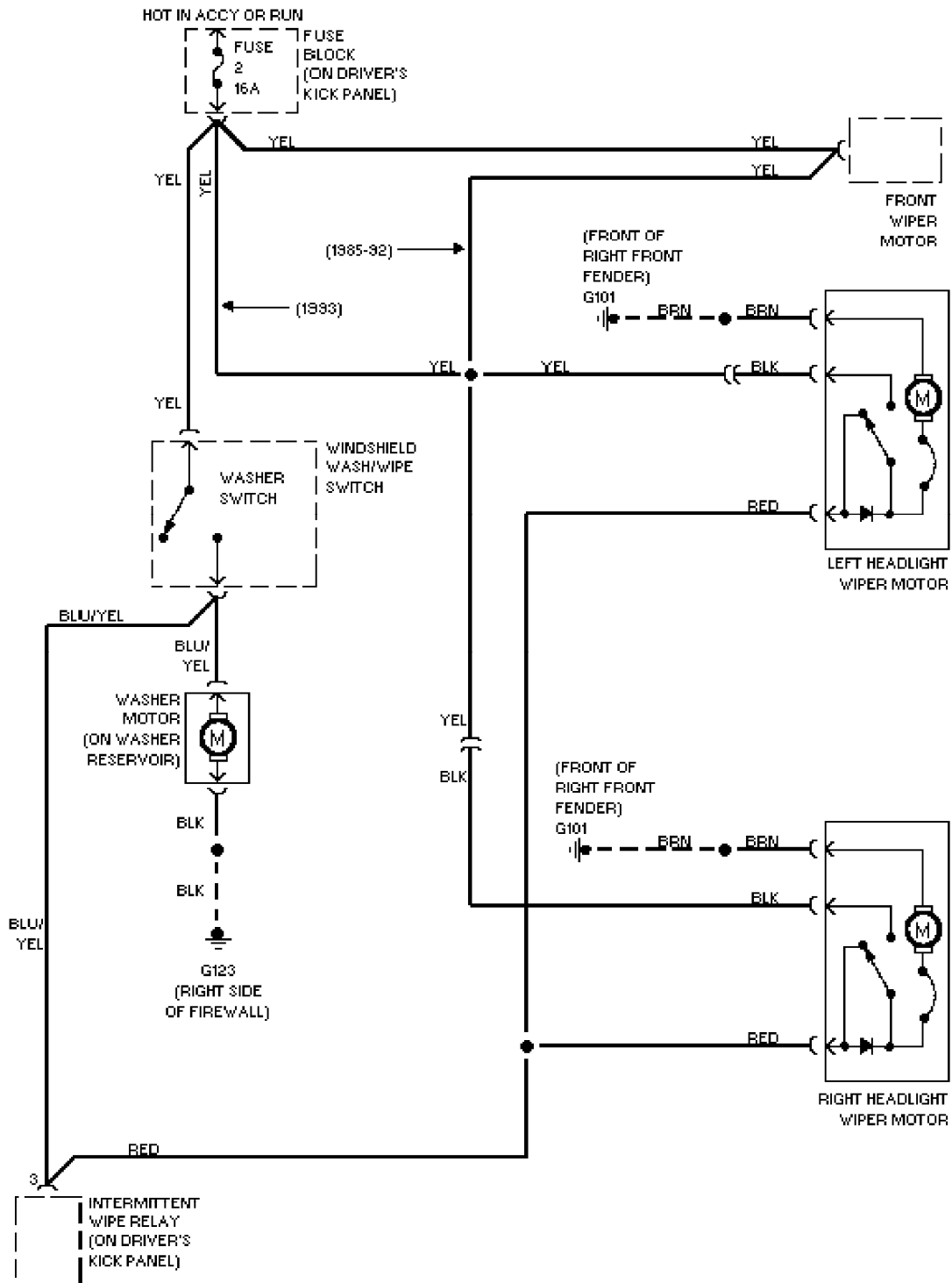
1993 Volvo 240



# SYSTEM WIRING DIAGRAMS

## Headlight Washer/Wiper Circuit

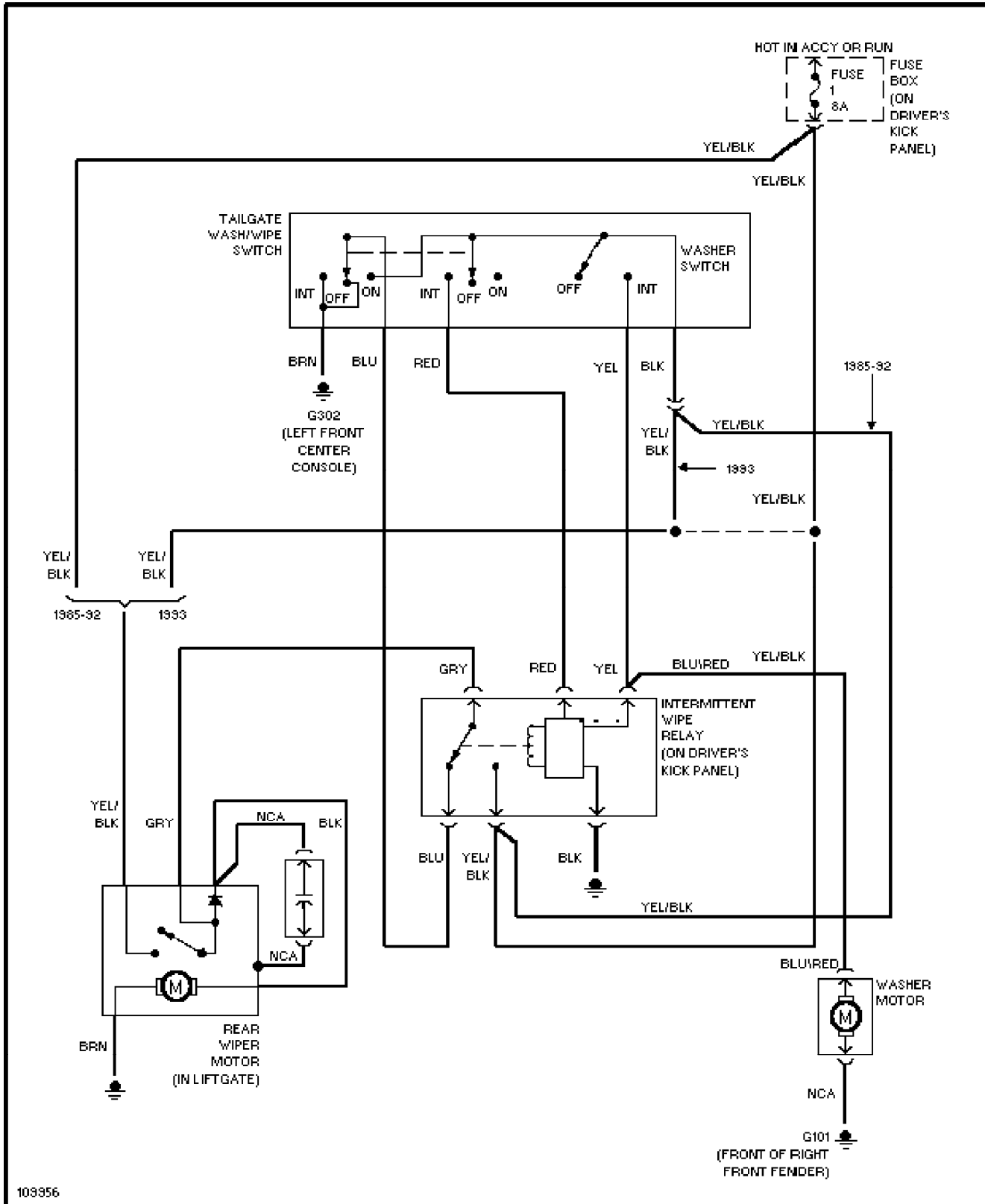
1993 Volvo 240



# SYSTEM WIRING DIAGRAMS

## Rear Washer/Wiper W/ Intermittent Relay Circuit

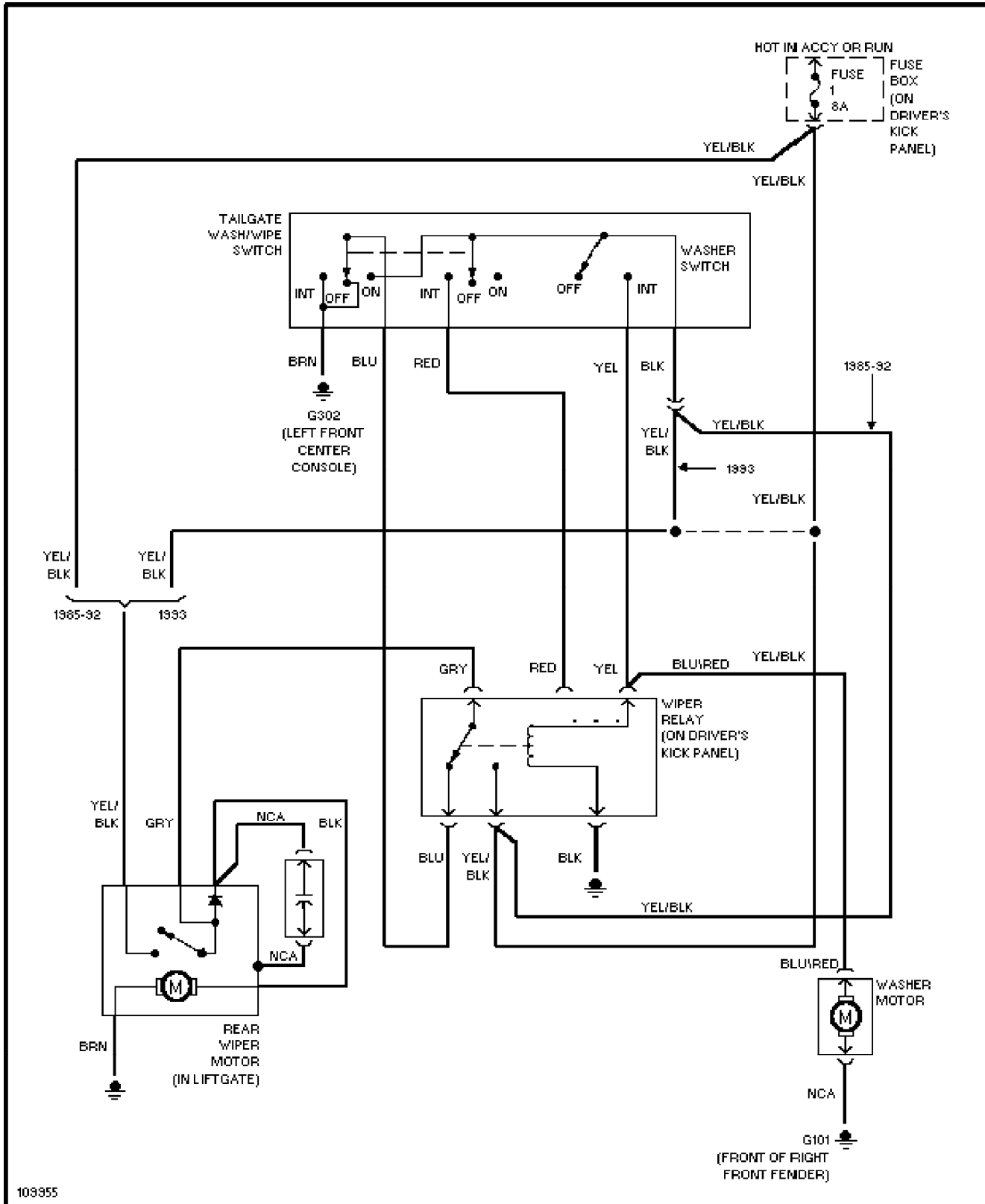
1993 Volvo 240



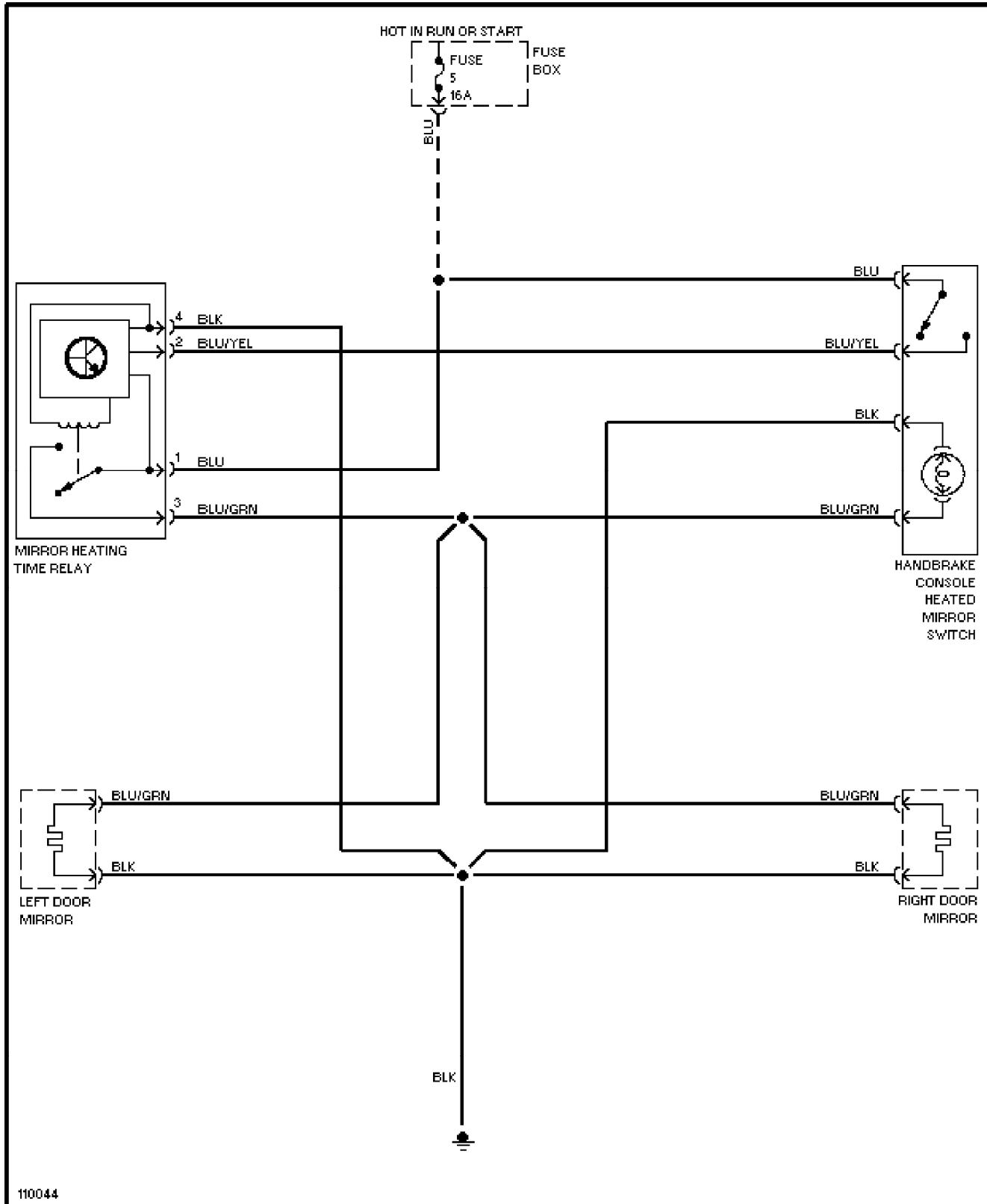
# SYSTEM WIRING DIAGRAMS

## Rear Washer/Wiper W/O Intermittent Relay Circuit

1993 Volvo 240



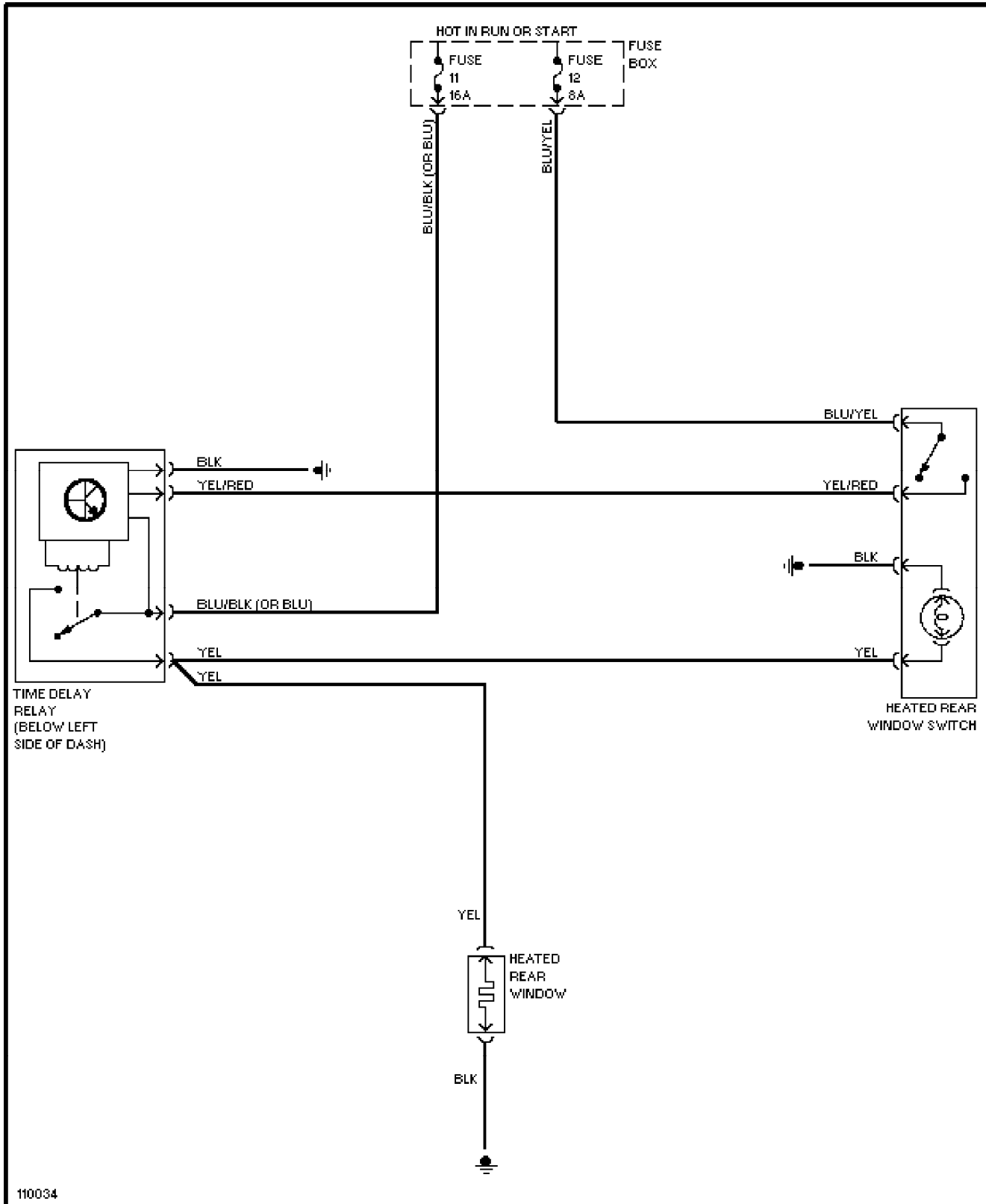
**SYSTEM WIRING DIAGRAMS**  
**Heated Mirrors Circuit**  
1993 Volvo 240



# SYSTEM WIRING DIAGRAMS

## Rear Defogger Circuit

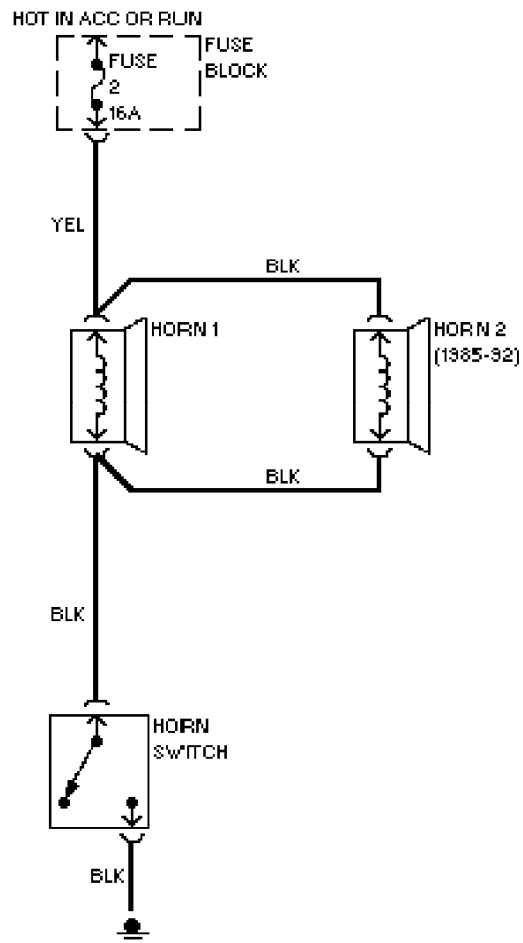
1993 Volvo 240



# SYSTEM WIRING DIAGRAMS

## Horn Circuit

1993 Volvo 240

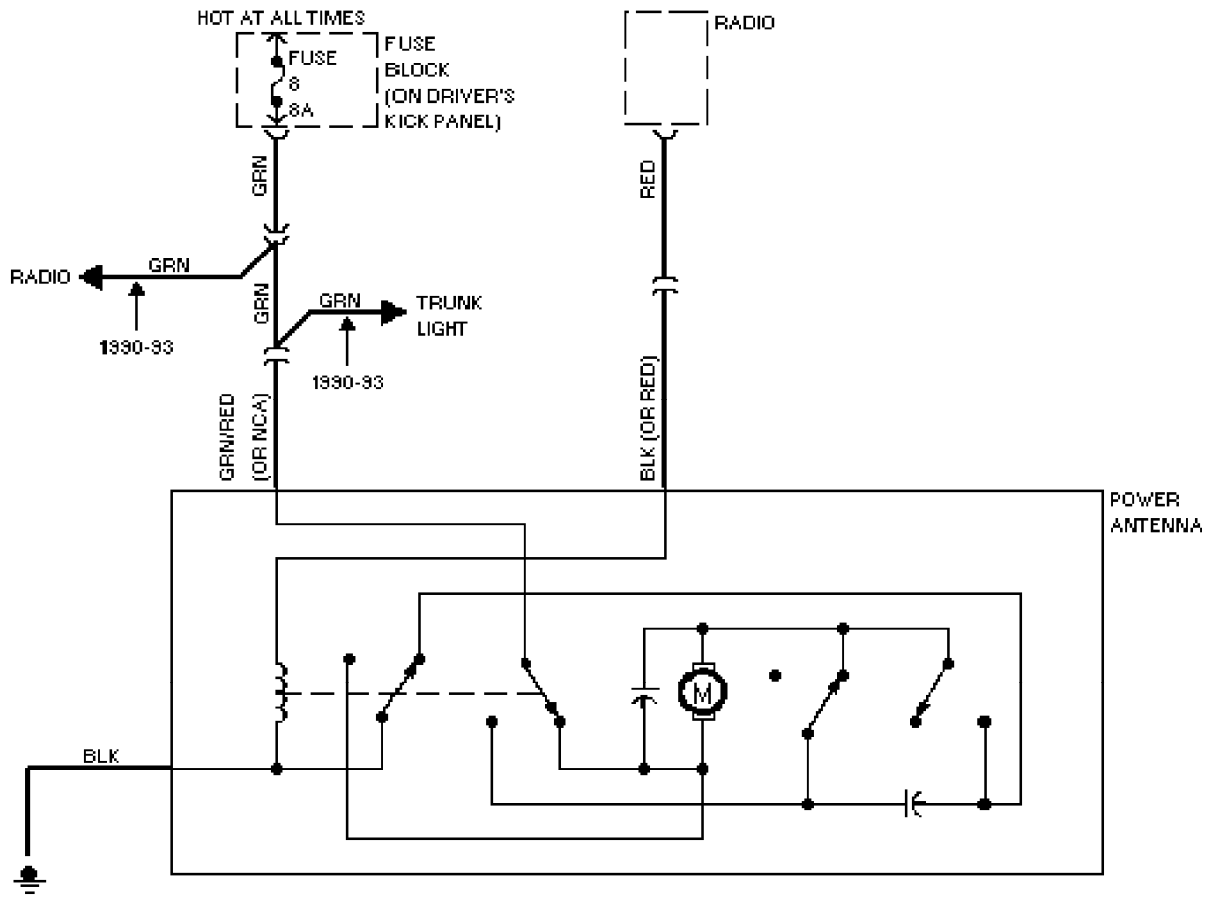


109360

# SYSTEM WIRING DIAGRAMS

## Power Antenna Circuit

1993 Volvo 240

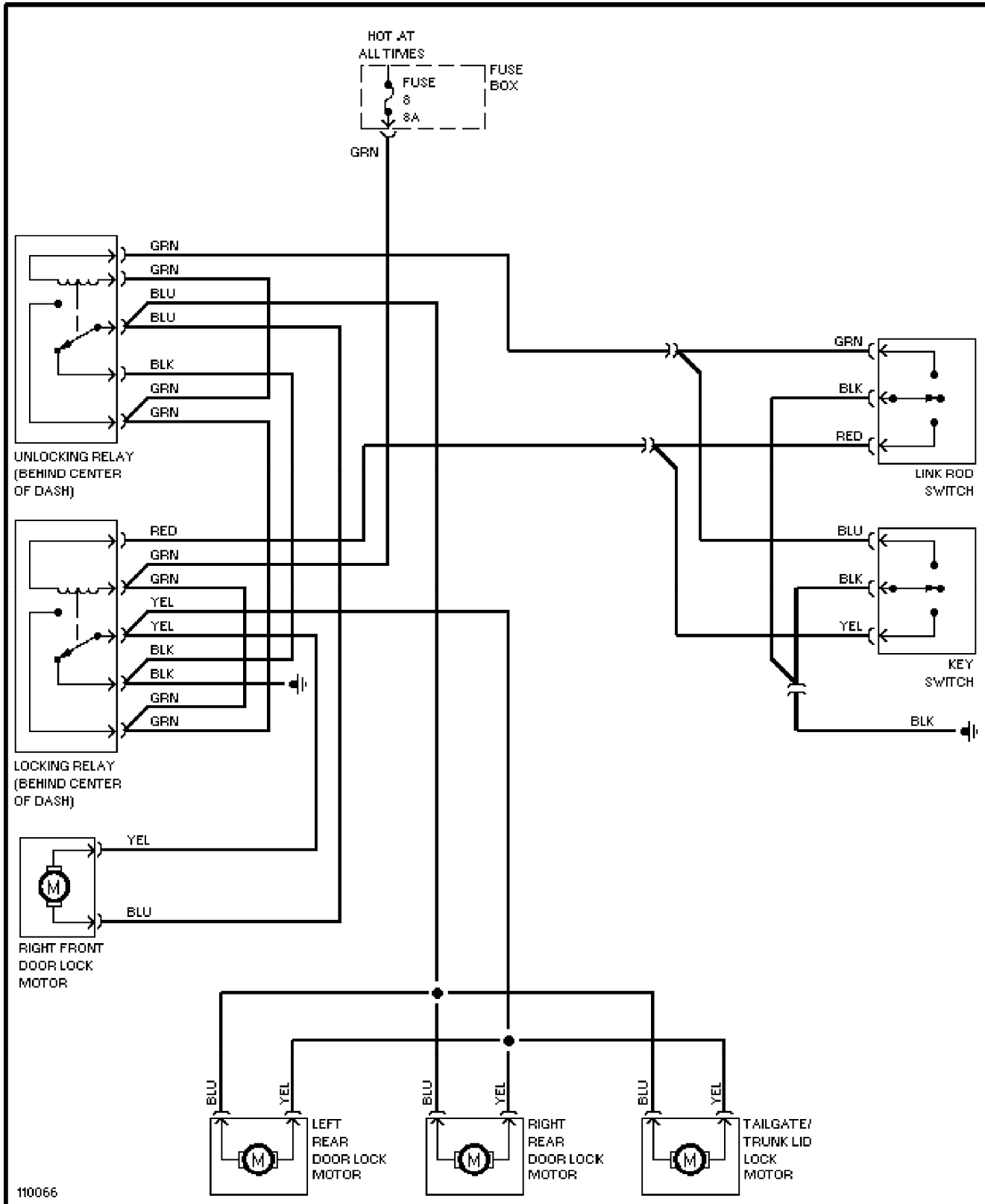




# SYSTEM WIRING DIAGRAMS

## Power Door Lock Circuit

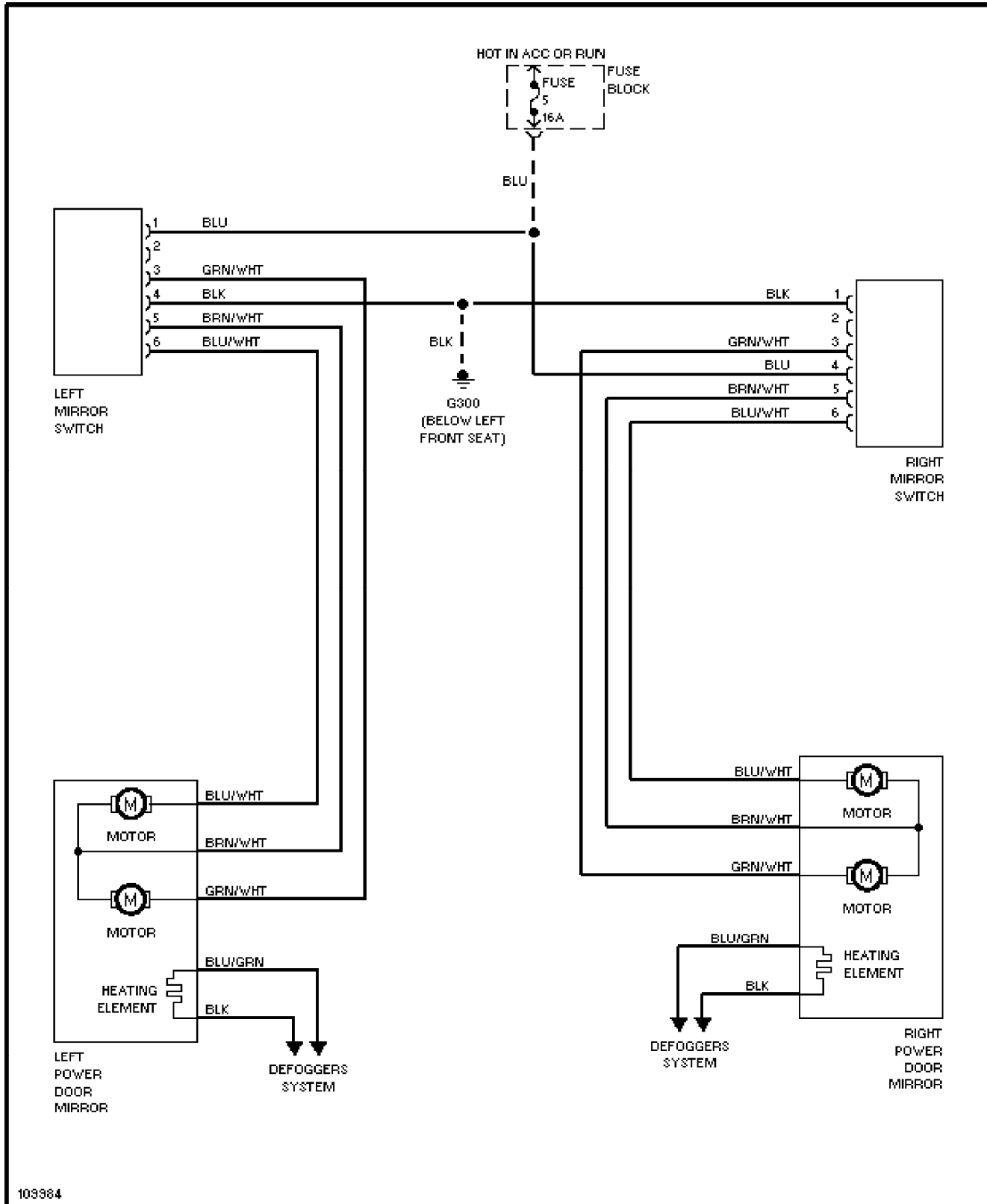
1993 Volvo 240



# SYSTEM WIRING DIAGRAMS

## Power Mirror Circuit

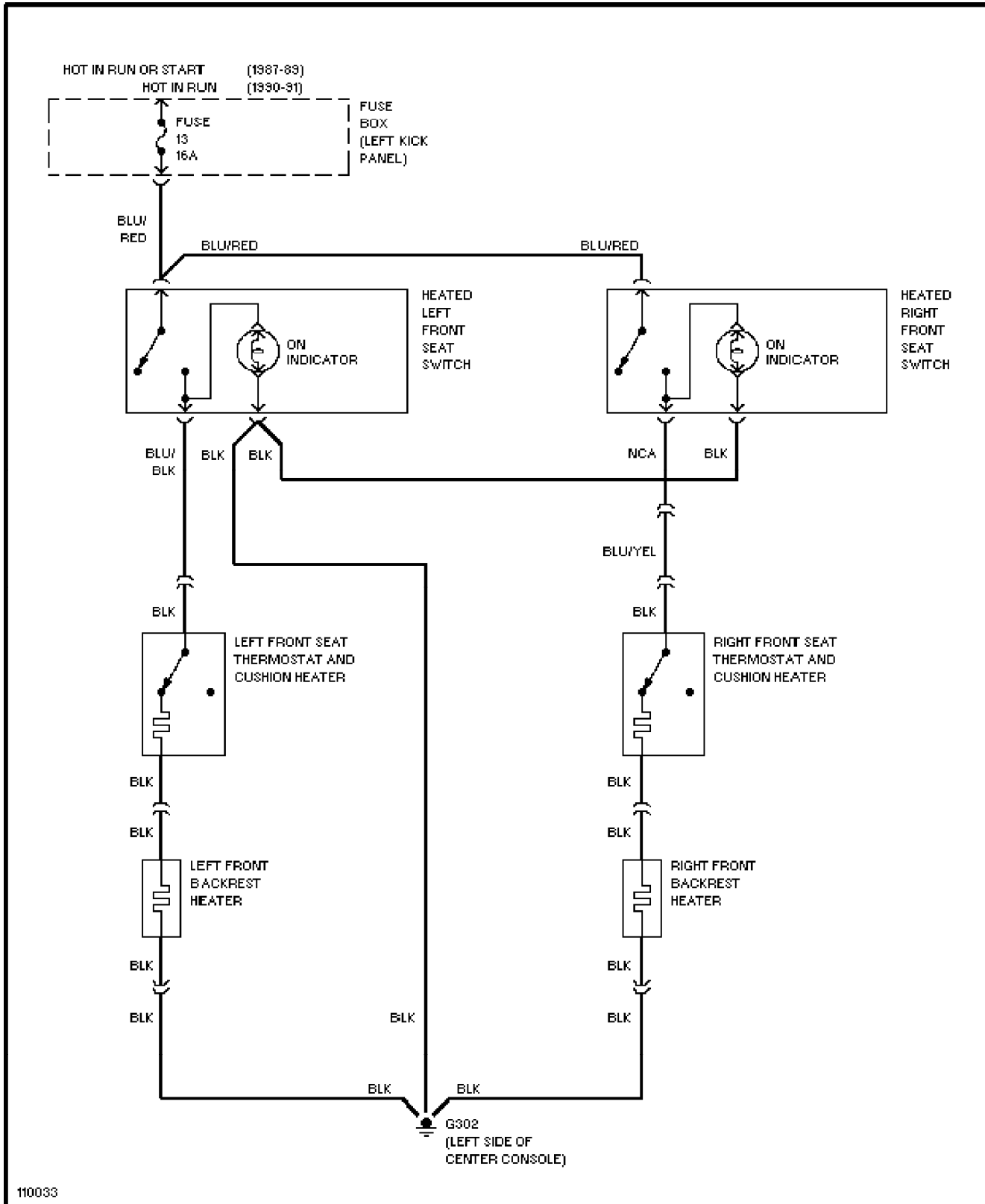
1993 Volvo 240



# SYSTEM WIRING DIAGRAMS

## Heated Seats Circuit

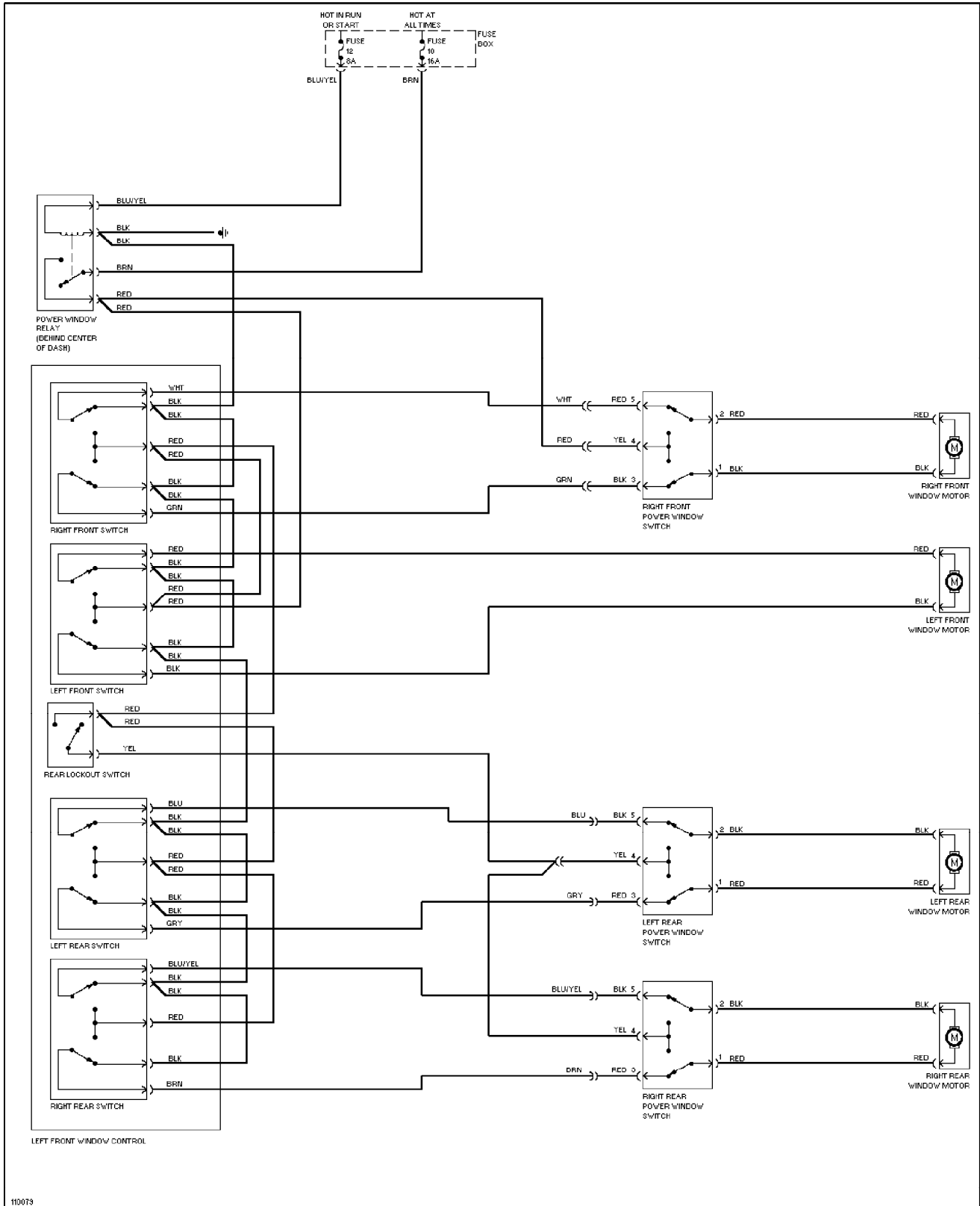
1993 Volvo 240



# SYSTEM WIRING DIAGRAMS

## Power Window Circuit

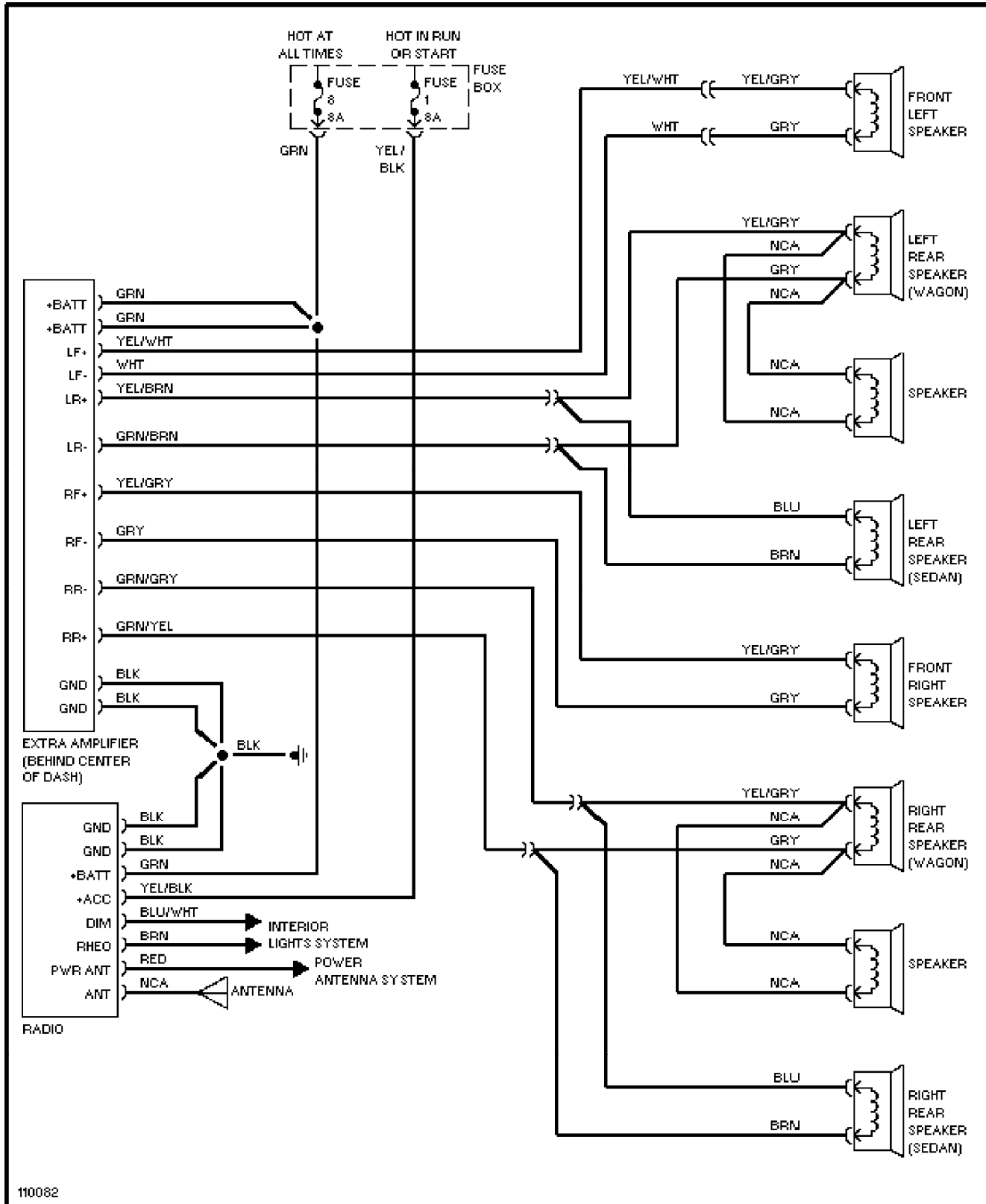
1993 Volvo 240



# SYSTEM WIRING DIAGRAMS

## Radio Circuits

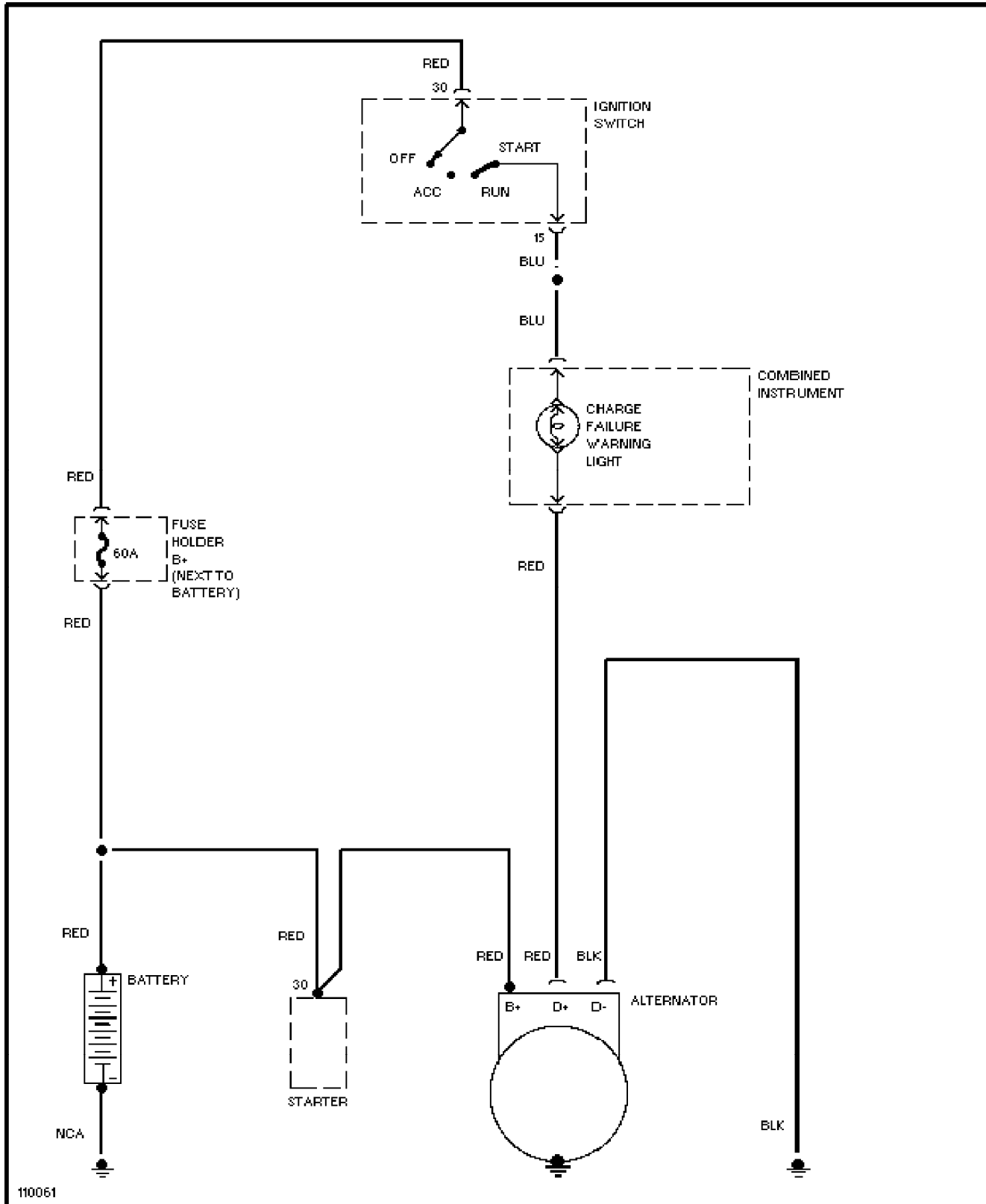
1993 Volvo 240



# SYSTEM WIRING DIAGRAMS

## Charging Circuit

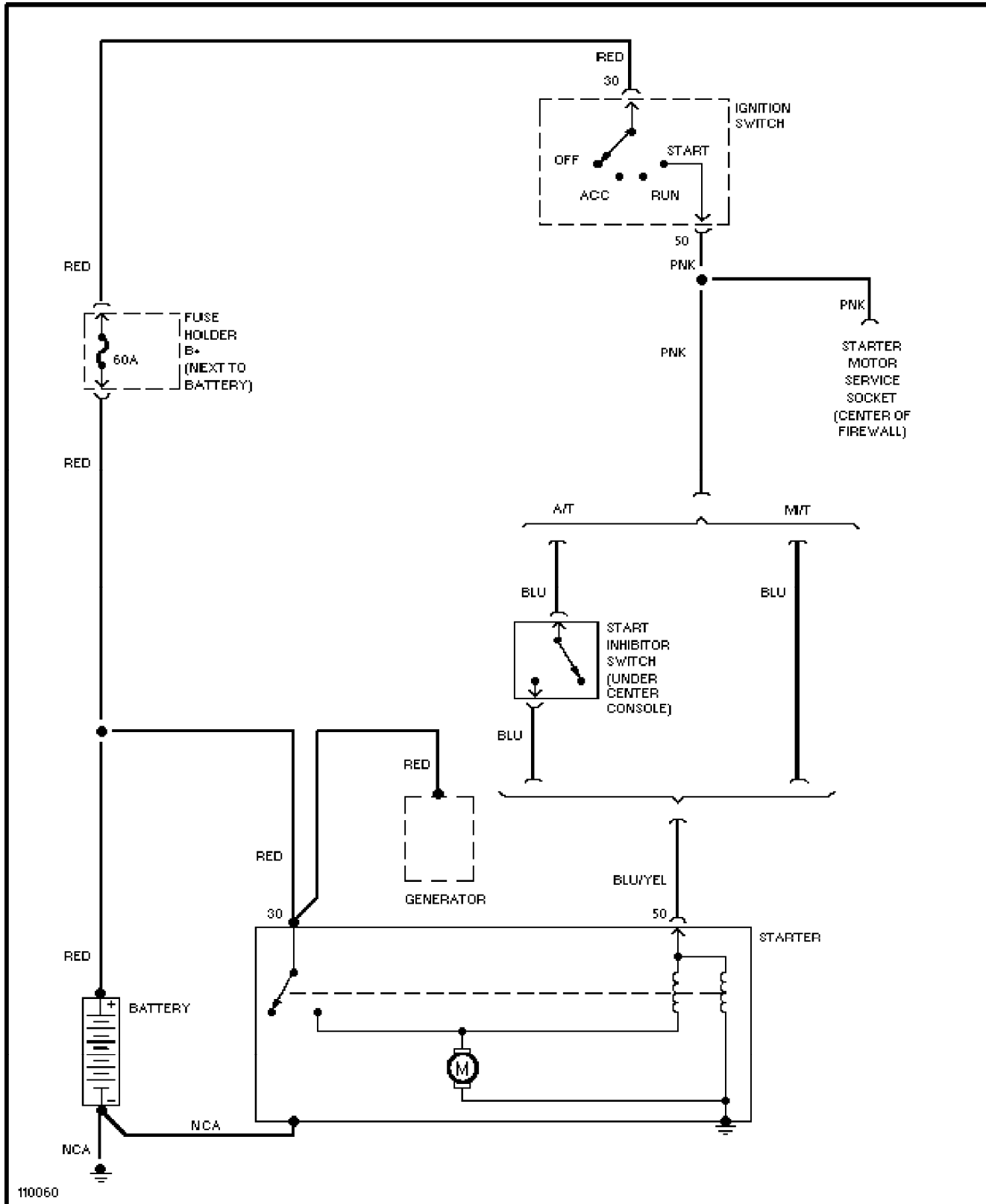
1993 Volvo 240



# SYSTEM WIRING DIAGRAMS

## Starting Circuit

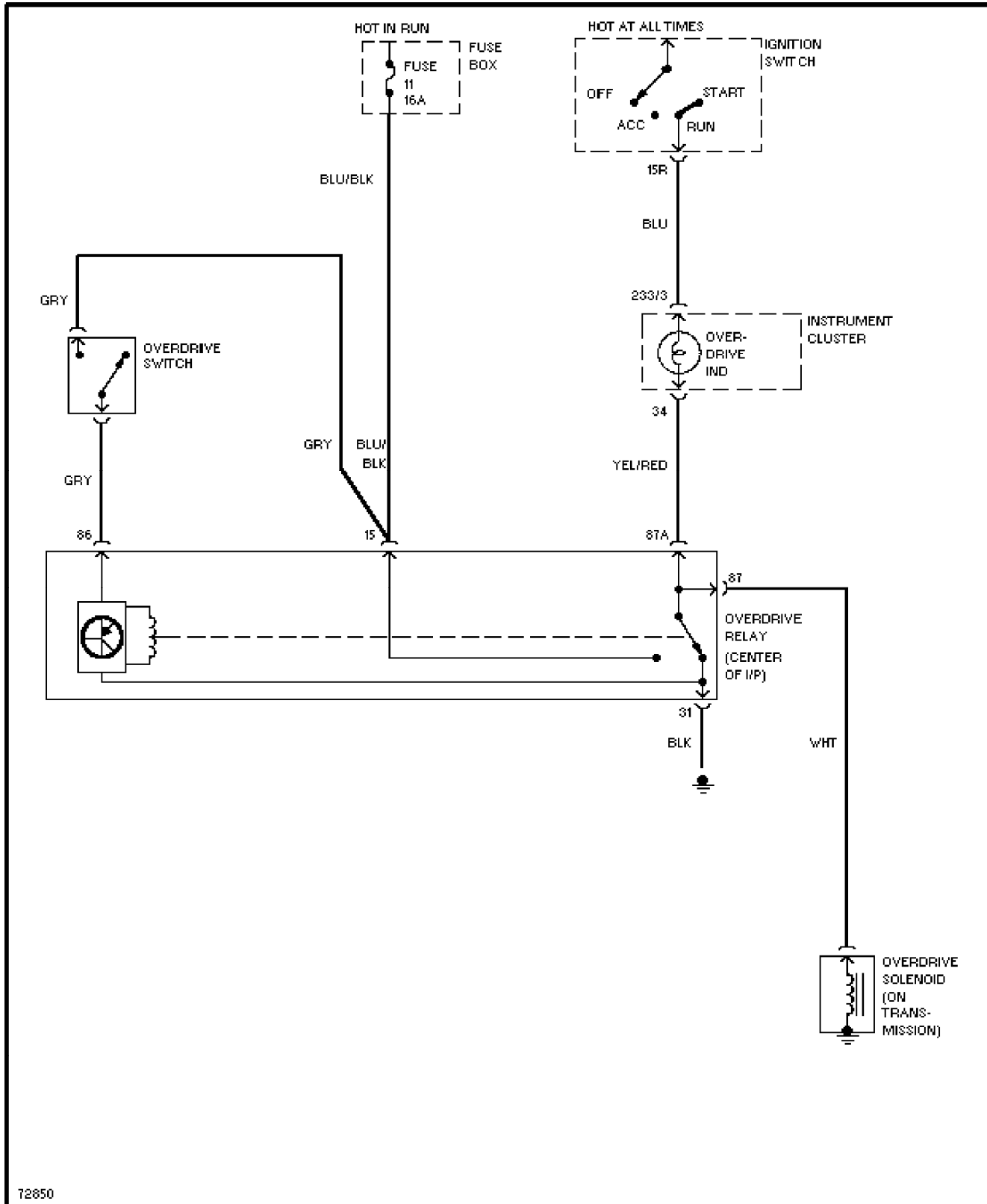
1993 Volvo 240



# SYSTEM WIRING DIAGRAMS

## Overdrive Circuit

1993 Volvo 240

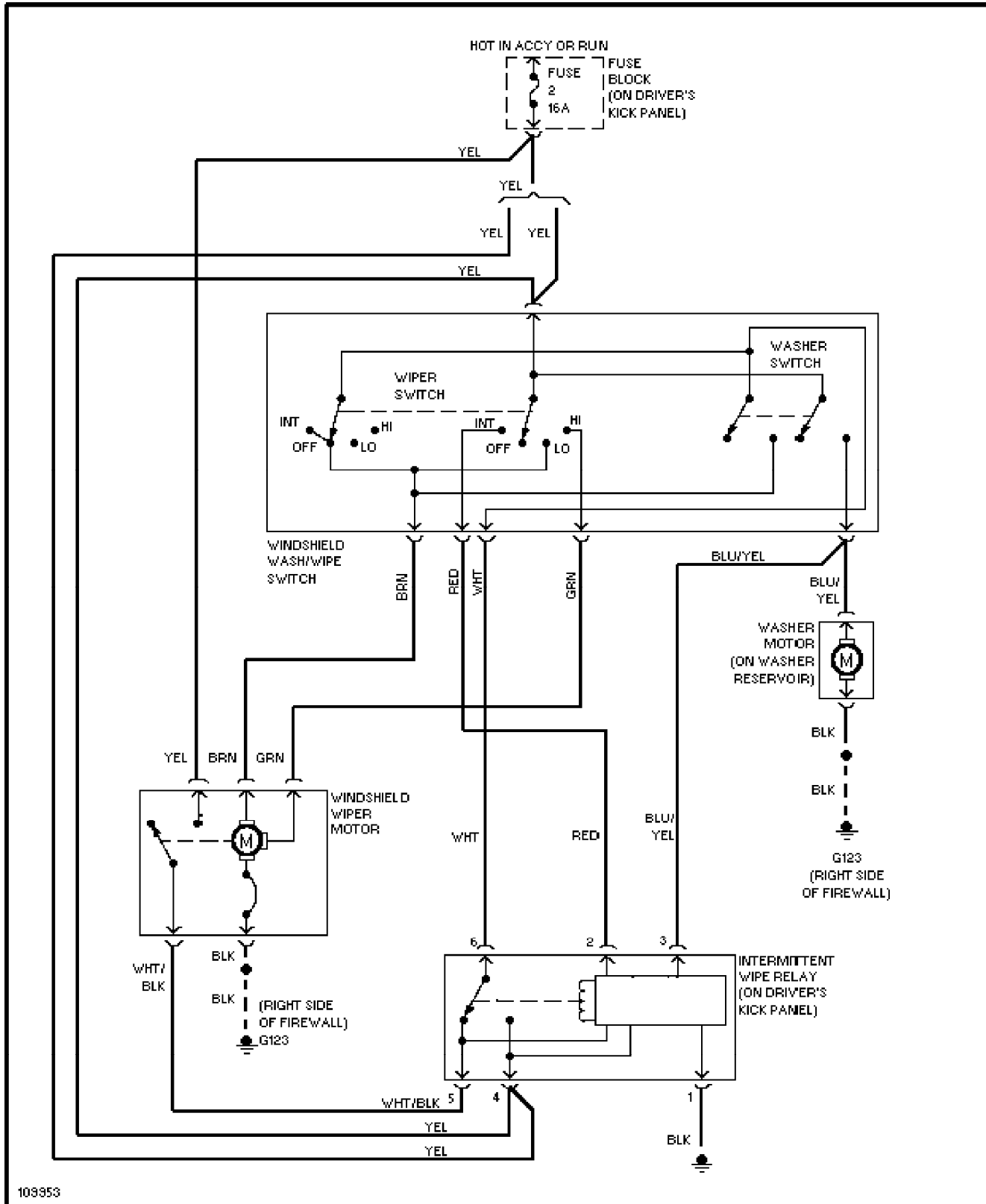




# SYSTEM WIRING DIAGRAMS

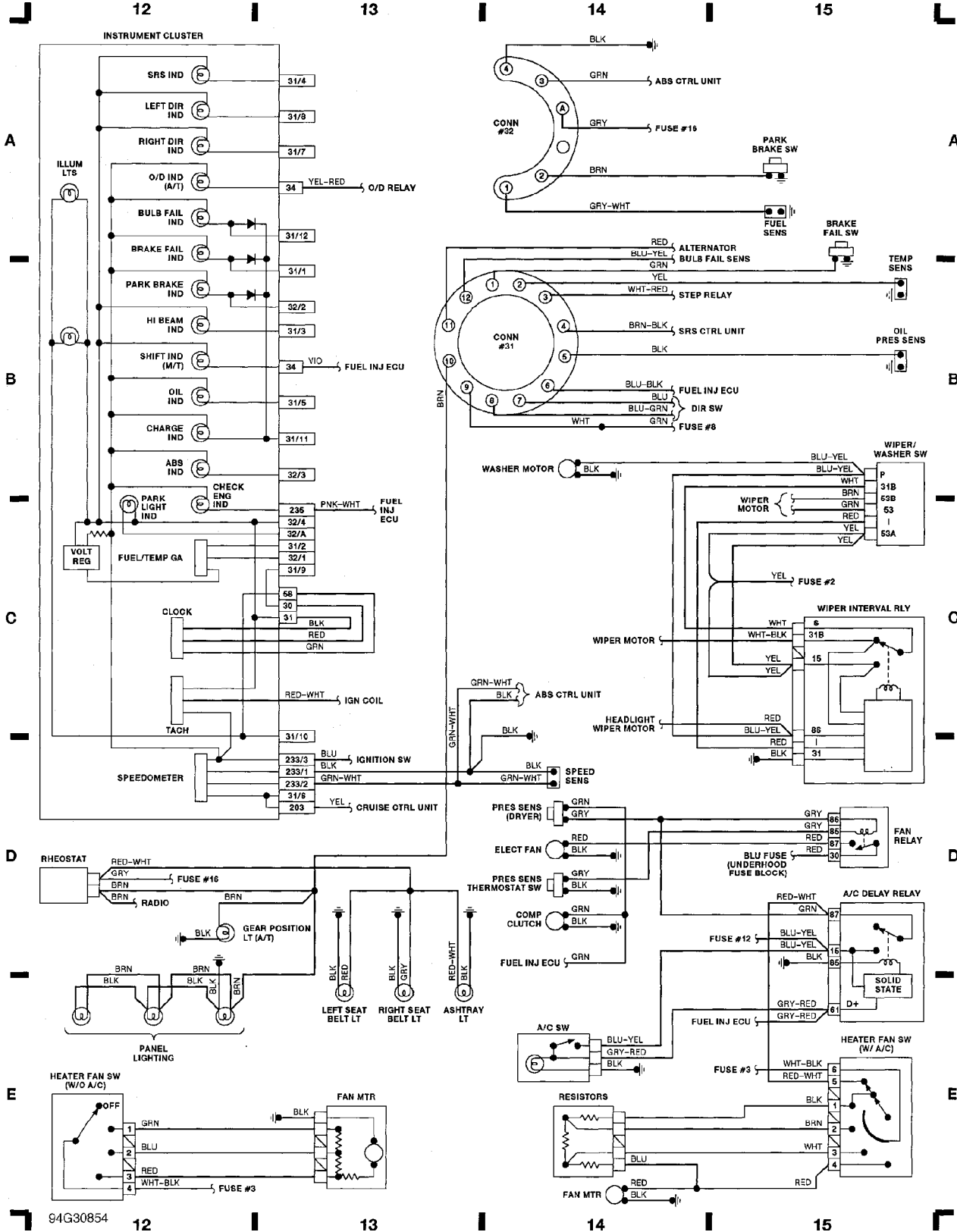
## Front Washer/Wiper Circuit

1993 Volvo 240



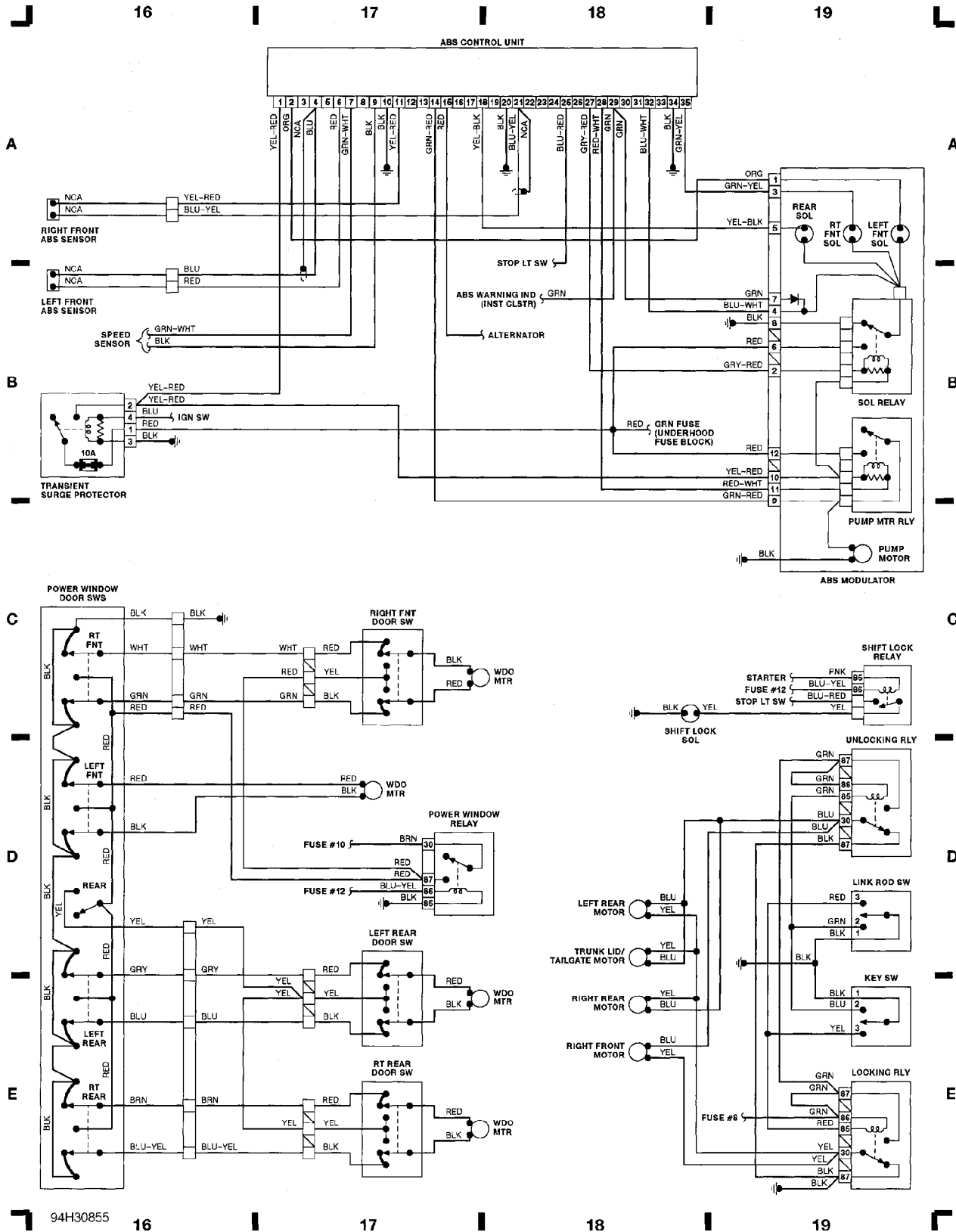
# WIRING DIAGRAMS

## Fig. 4: Instrument Cluster, Heater Fan Sw (Grid 12-15) 1993 Volvo 240



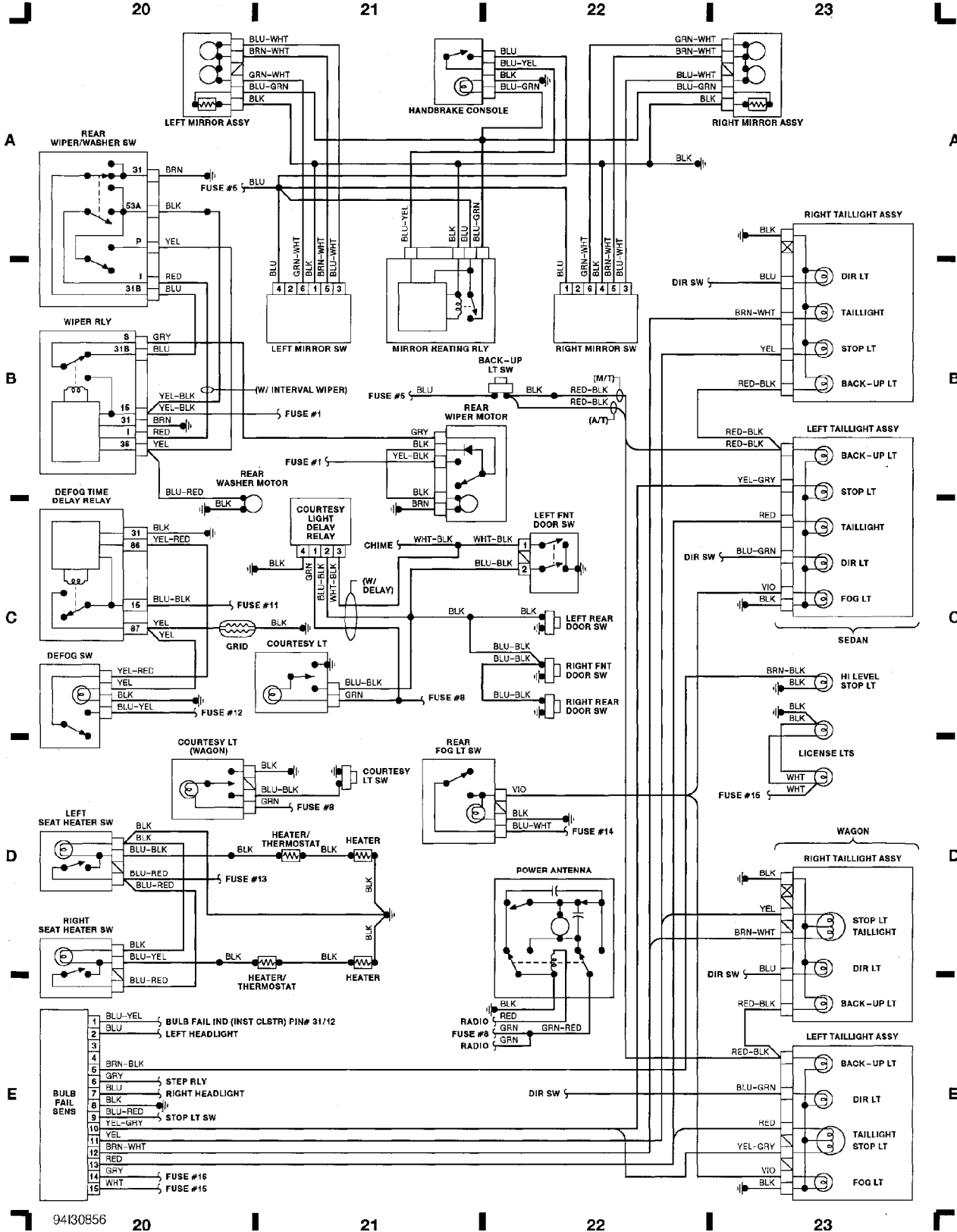
# WIRING DIAGRAMS

Fig. 5: ABS Ctrl Sw, Power Window Door Sws (Grid 16-19)  
1993 Volvo 240



# WIRING DIAGRAMS

Fig. 6: Taillight, Rear Wiper/Washer Sw, Defog Rly (Grid 20-23)  
1993 Volvo 240

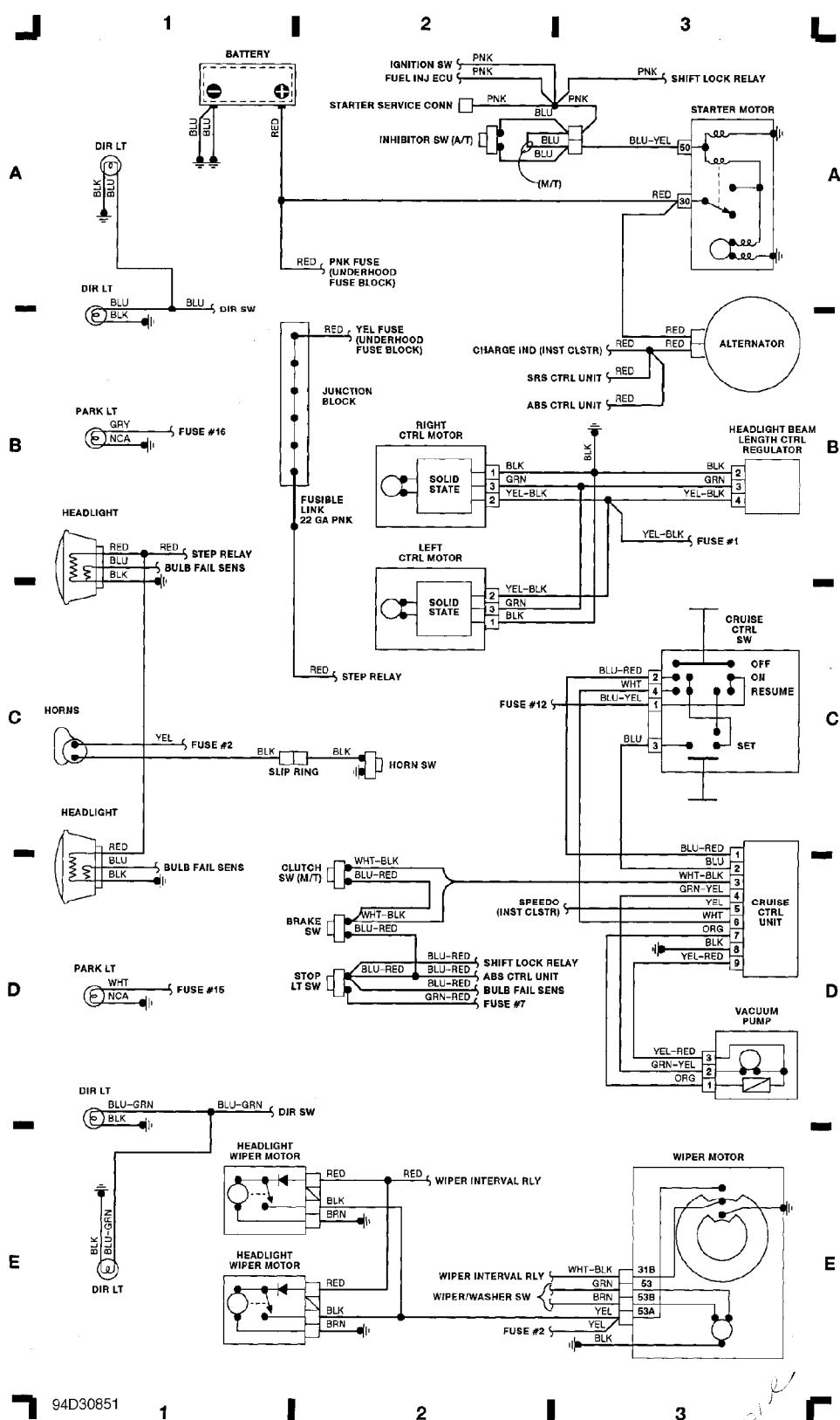


# WIRING DIAGRAMS

Fig. 1: Engine Compartment, Headlights (Grid 1-3)  
1993 Volvo 240

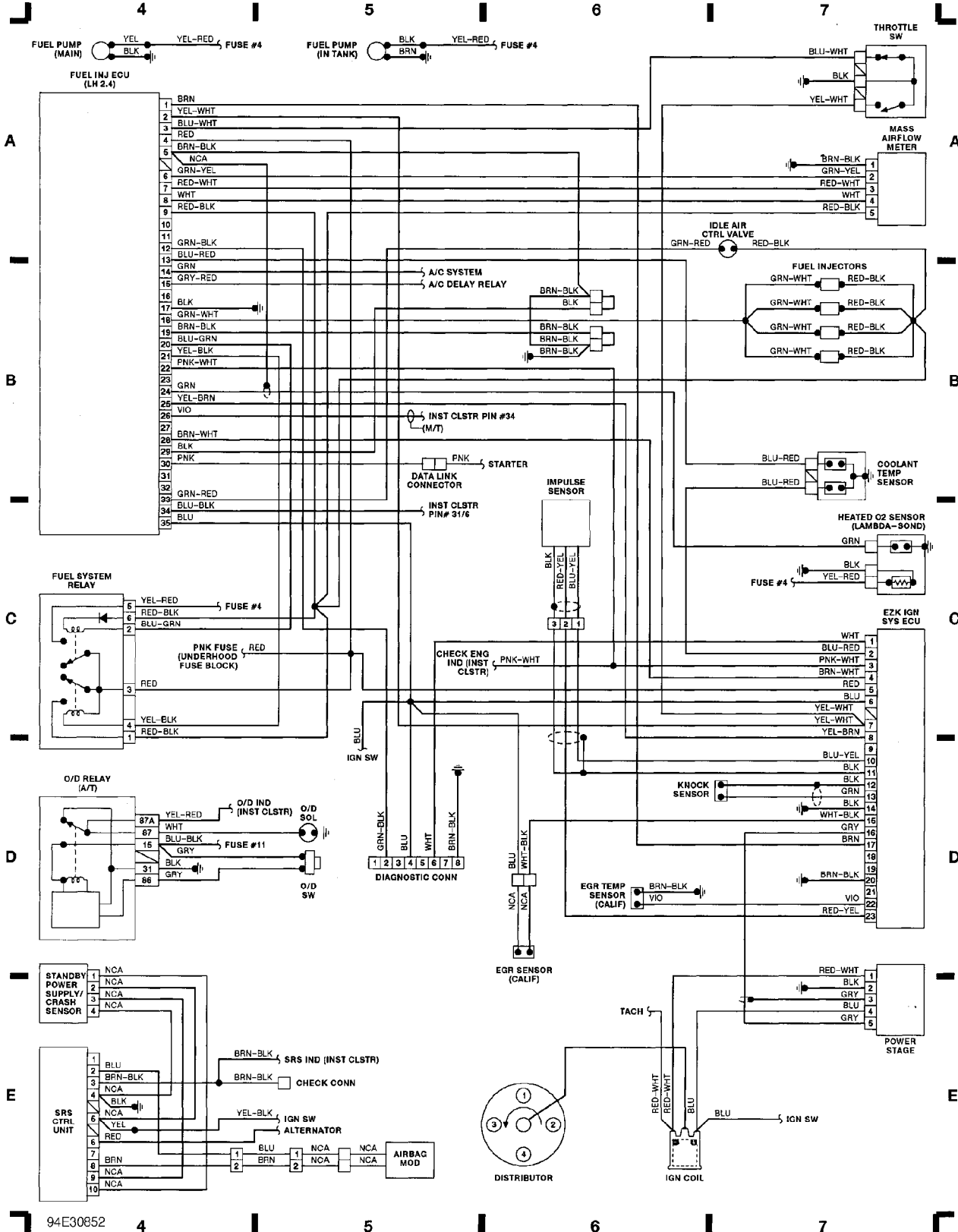
## COMPONENT LOCATOR:

A/C SYSTEM	D-E 14-16
ABS SYSTEM	A-C 16-19
ALTERNATOR	B 3
BACK-UP LT SW	B 22
BATTERY	A 1
BRAKE FAIL SW	A 15
BULB FAIL SENS	E 20
CIG LTR	B 19-11
COURTESY LTS	C-D 20-22
CRUISE CTRL SYSTEM	C-D 2-3
DATA LINK CONN	B 6
DEFOG SW	C 20
DEFOG TIME DELAY RELAY	C 20
DIAGNOSTIC CONN	D 5
DIR SW	A 11
E2K IGN SYSTEM ECU	C-D 7
FAN RELAY	D 15
FLASHER RELAY	A-B 9-10
FUEL INJ ECU (IH-JETRONIC)	A-B 4
FUEL PUMP (IN TANK)	A 5
FUEL PUMP (MAIN)	A 4
FUEL PUMP SENS	A 15
FUEL SYSTEM RELAY	C 4
FUSE BLOCK	B-E 8-10
GLOVE BOX LT & SW	D 11
HAZARD SW	A-B 11
HEADLT BEAM LENGTH CTRL SYSTEM	B 2-3
HEADLT RLY	A-B 9
HEADLT SW	A 9-10
HEADLT WIPER MOTORS	E 1-2
HEATER FAN SWS	E 12-15
HORN SW	C 1
IGNITION OIL	E 6
IGNITION SW	B-C 8
INHIBITOR SW	A 2
INSTRUMENT CLUSTER	A-D 12-14
JUNCTION BLOCK	B 1
LEFT FRONT DOOR SW	C 22
O/D RELAY (A/T)	D 4
O2 SENSOR	C 7
OIL PRES SENS	B 15
PANEL LTS	E 12
PARK BRAKE SW	A 15
POWER ANTENNA	D-E 22
POWER DOOR LOCKS	D-E 18-19
POWER MIRROR SYSTEM	A-B 20-23
POWER WINDOW SYSTEM	C-E 16-17
REAR FOG LT SW	D 21-22
REAR WIPER/WASHER SYSTEM	A-B 20-21
RHOESTAT	D 12
SEAT BELT LTS	E 9, E 11, E 13
SEAT HEATER SYS	D 20-21
SH FT LOCK RELAY	C 19
SPEED SENS	D 14
SRS SYSTEM	E 4-5
STARTER MOTOR	A 3
STEP RELAY	A 8
STOP LT SW	D 2
TEMP SENS	B 15
TRUNK LT SW	C 11
UNDERHOOD FUSE BLOCK	D 8
WIPER INTERVAL RLY	C-D 15
WIPER MOTOR	E 3
WIPER/WASHER SW	A-C 15



# WIRING DIAGRAMS

Fig. 2: Fuel Injector ECU (LH 2.4), EZK Ign Sys Sw (Grid 4-7)  
1993 Volvo 240



# WIRING DIAGRAMS

## Fig. 3: Fuse Block, Headlight Sw, Step Rly (Grid 8-11) 1993 Volvo 240

