

SYSTEM WIRING DIAGRAMS

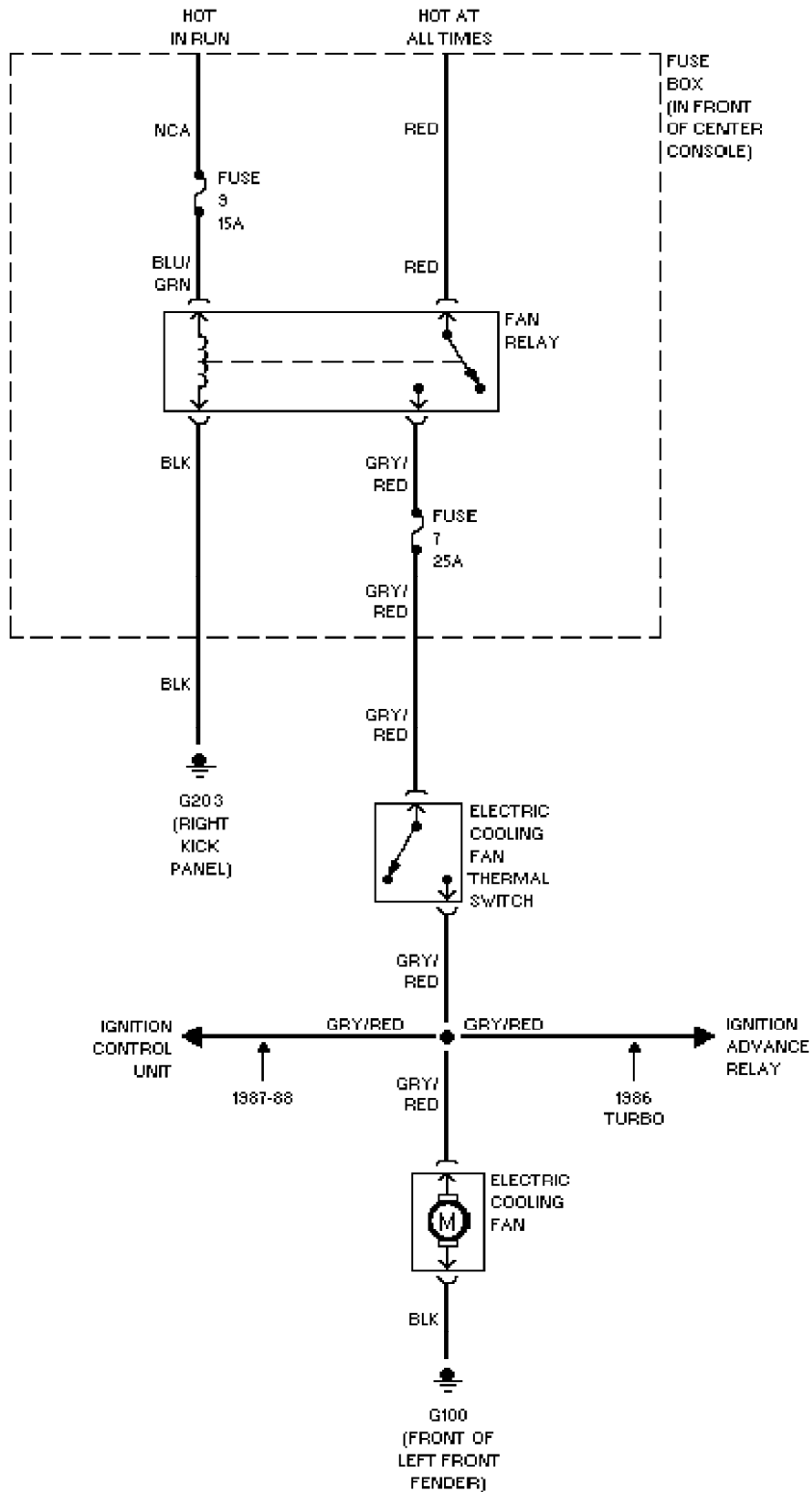
Cooling Fan Circuit

1989 Volvo 740

For x

Copyright © 1998 Mitchell Repair Information Company, LLC

Friday, July 23, 2004 09:18PM



SYSTEM WIRING DIAGRAMS

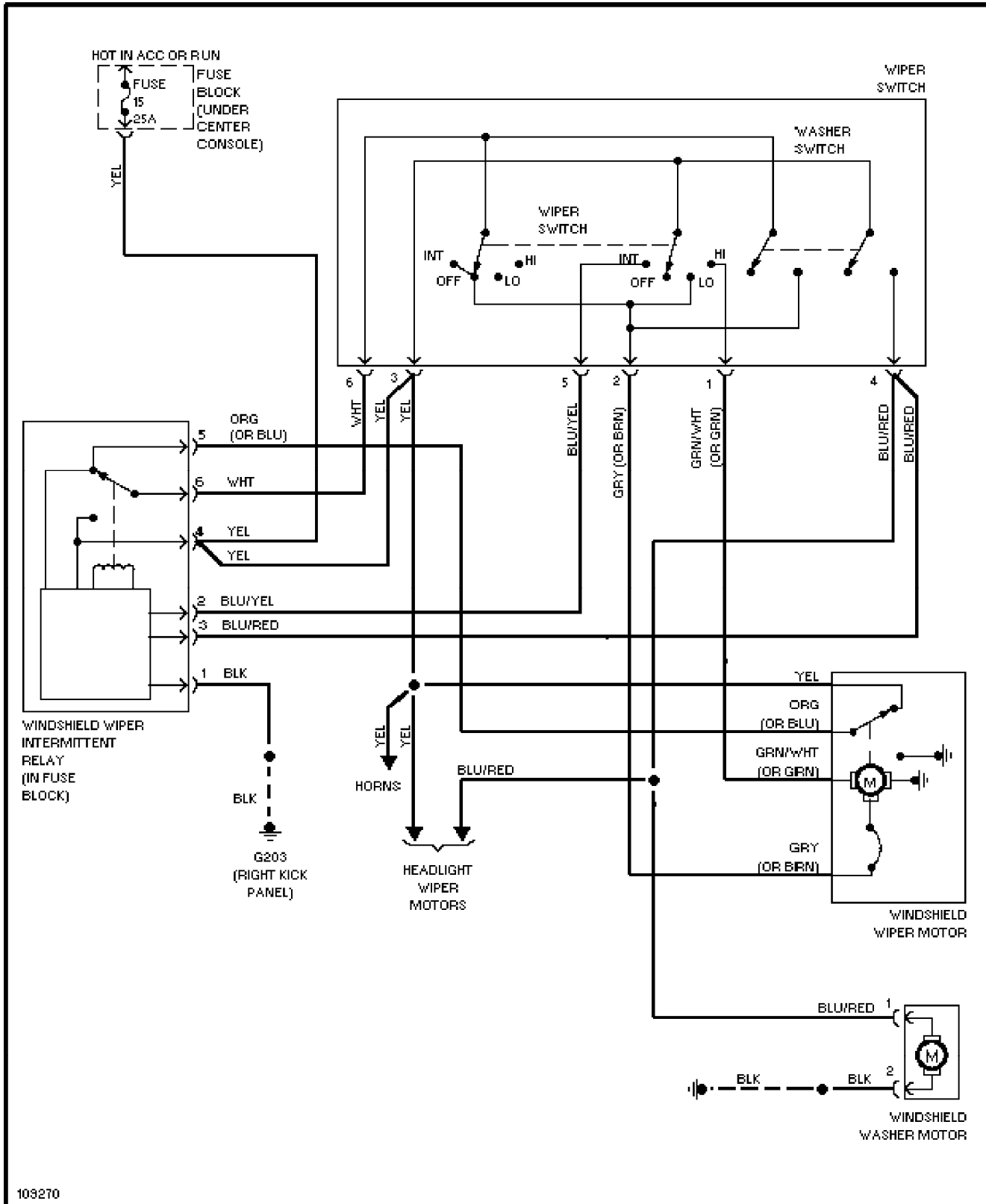
Front Wiper/Washer Circuit

1989 Volvo 740

For x

Copyright © 1998 Mitchell Repair Information Company, LLC

Friday, July 23, 2004 09:20PM

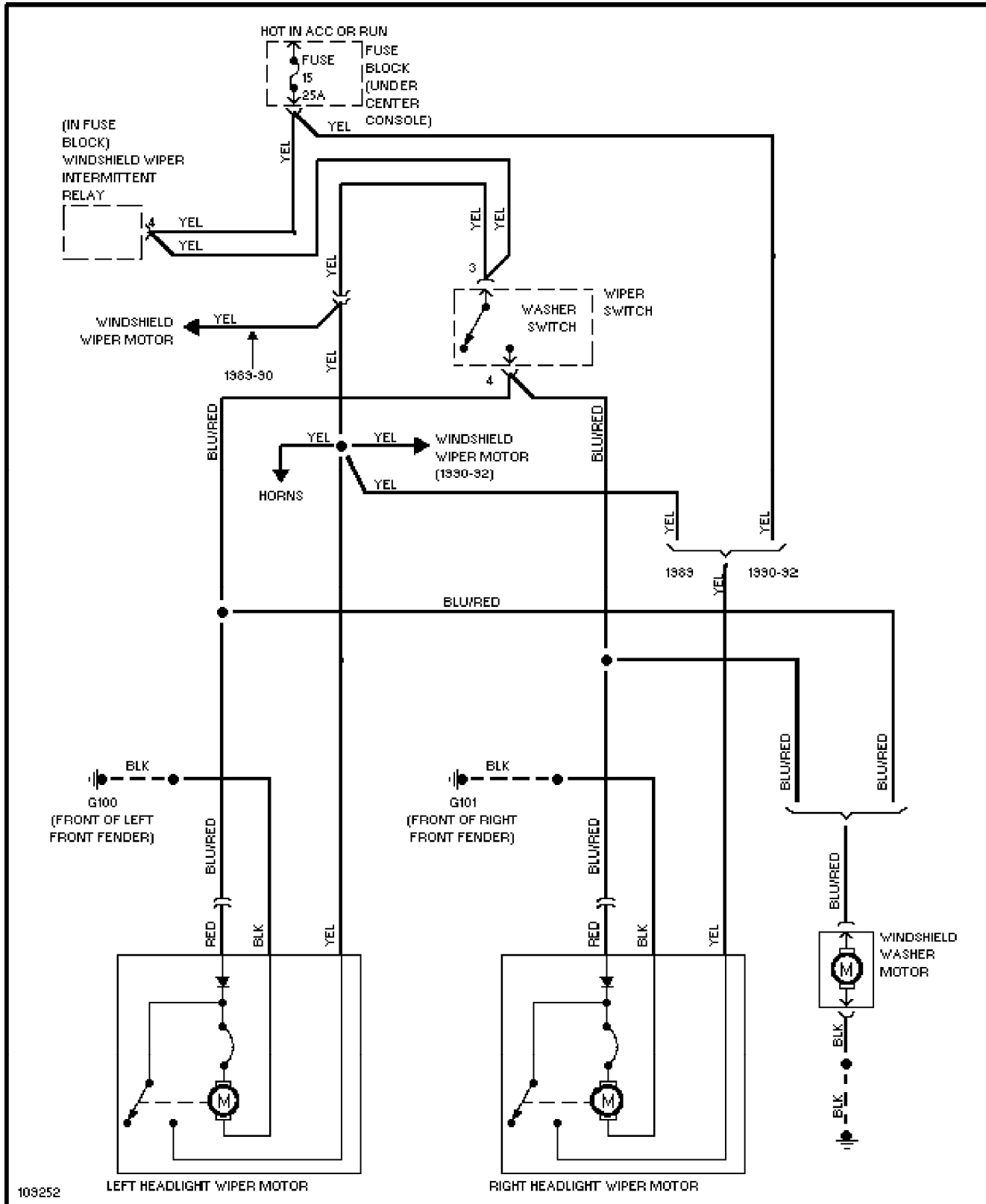


SYSTEM WIRING DIAGRAMS

Headlamp Wiper/Washer Circuit

1989 Volvo 740

For x
 Copyright © 1998 Mitchell Repair Information Company, LLC
 Friday, July 23, 2004 09:21PM



SYSTEM WIRING DIAGRAMS

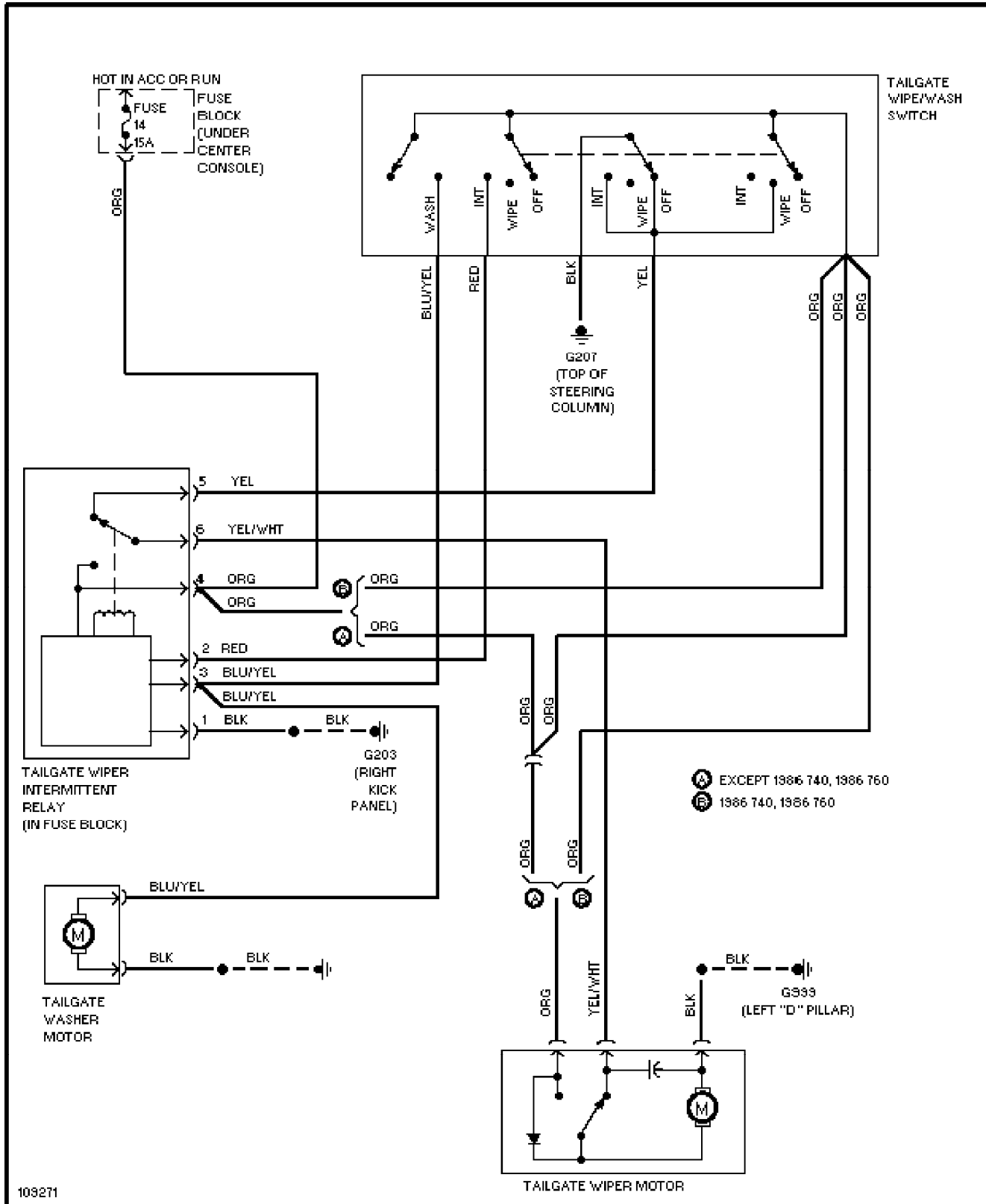
Rear Wiper/Washer Circuit

1989 Volvo 740

For x

Copyright © 1998 Mitchell Repair Information Company, LLC

Friday, July 23, 2004 09:21PM



SYSTEM WIRING DIAGRAMS

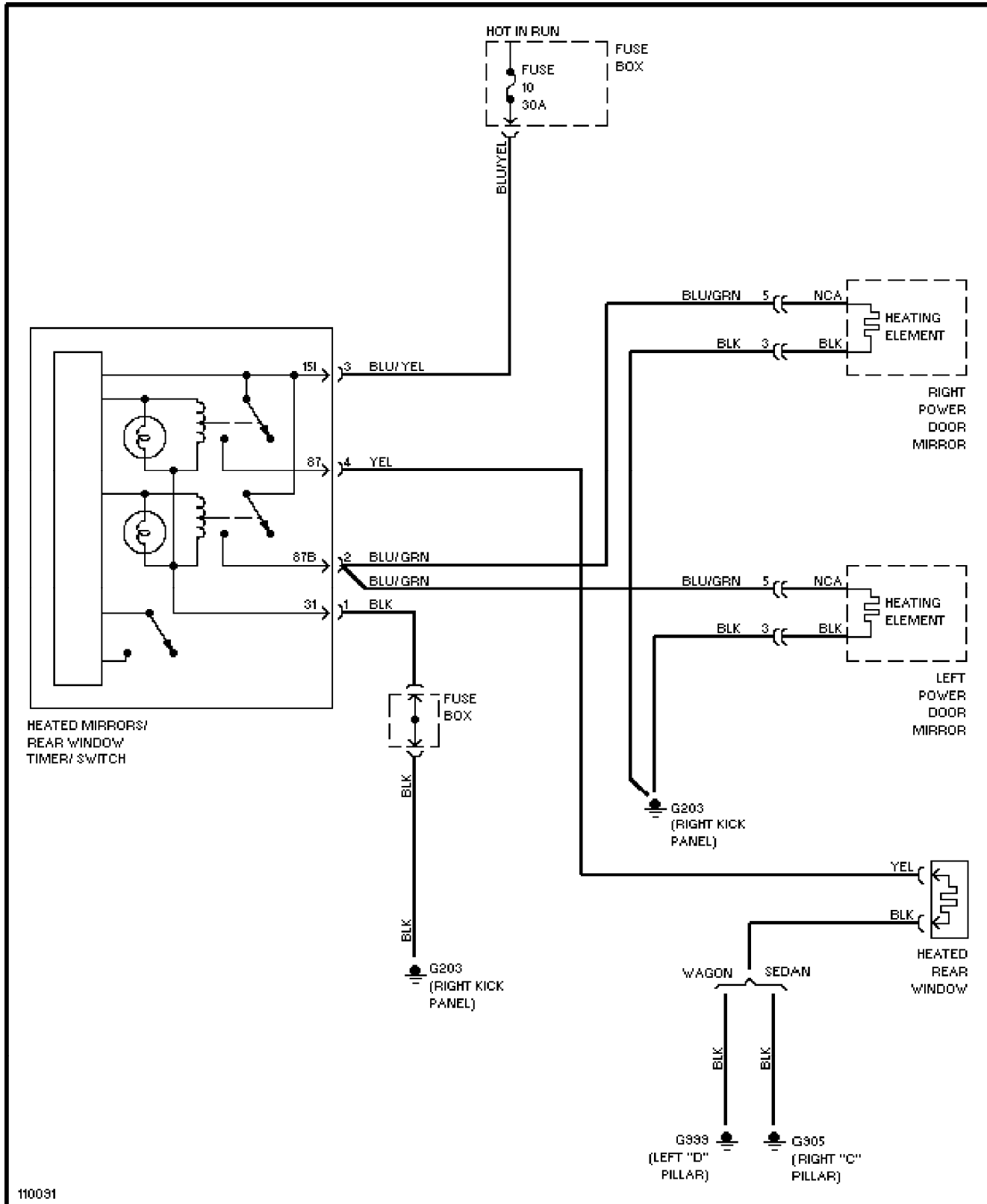
Defogger Circuit

1989 Volvo 740

For x

Copyright © 1998 Mitchell Repair Information Company, LLC

Friday, July 23, 2004 09:18PM



SYSTEM WIRING DIAGRAMS

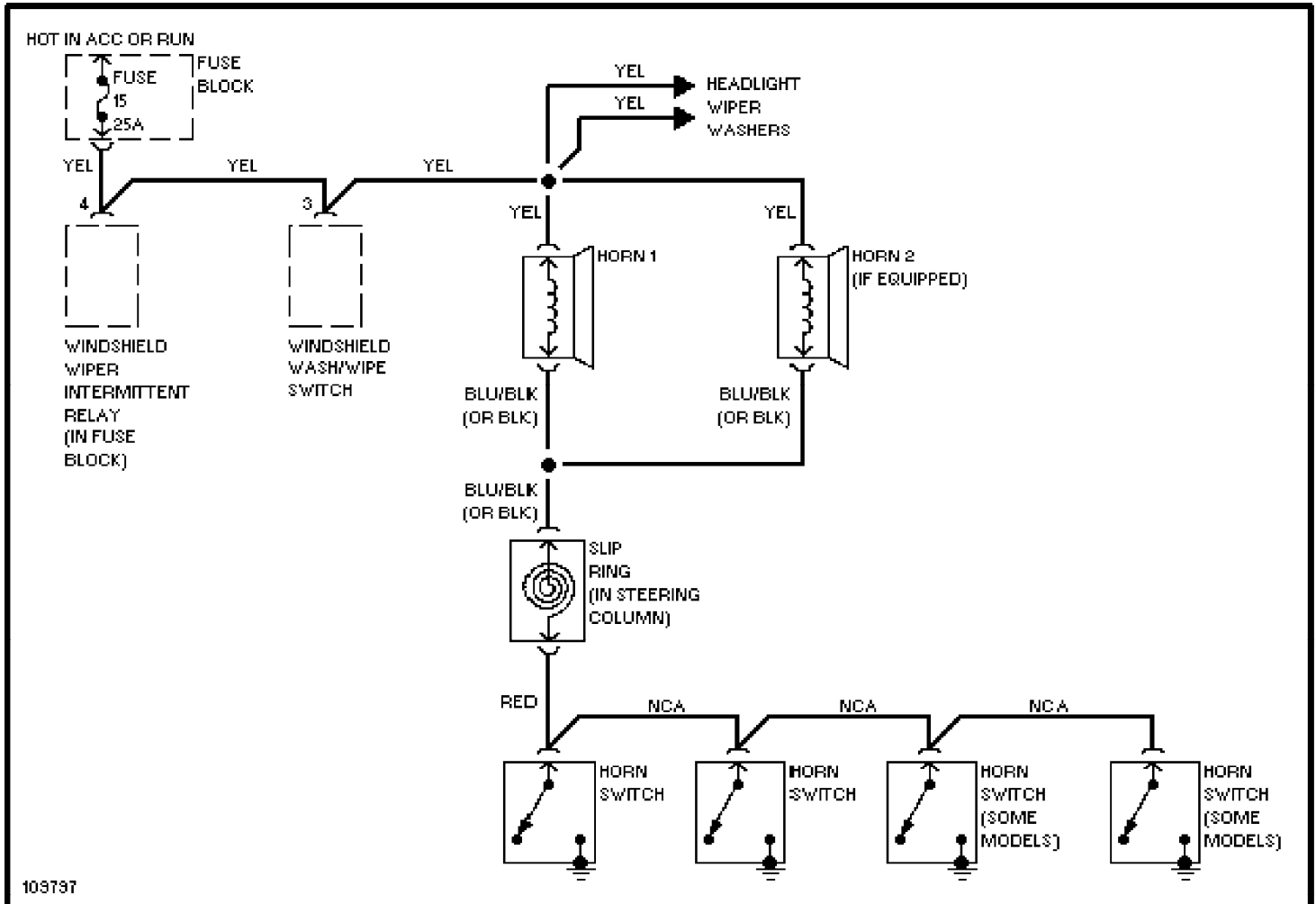
Horn Circuit

1989 Volvo 740

For x

Copyright © 1998 Mitchell Repair Information Company, LLC

Friday, July 23, 2004 09:18PM



SYSTEM WIRING DIAGRAMS

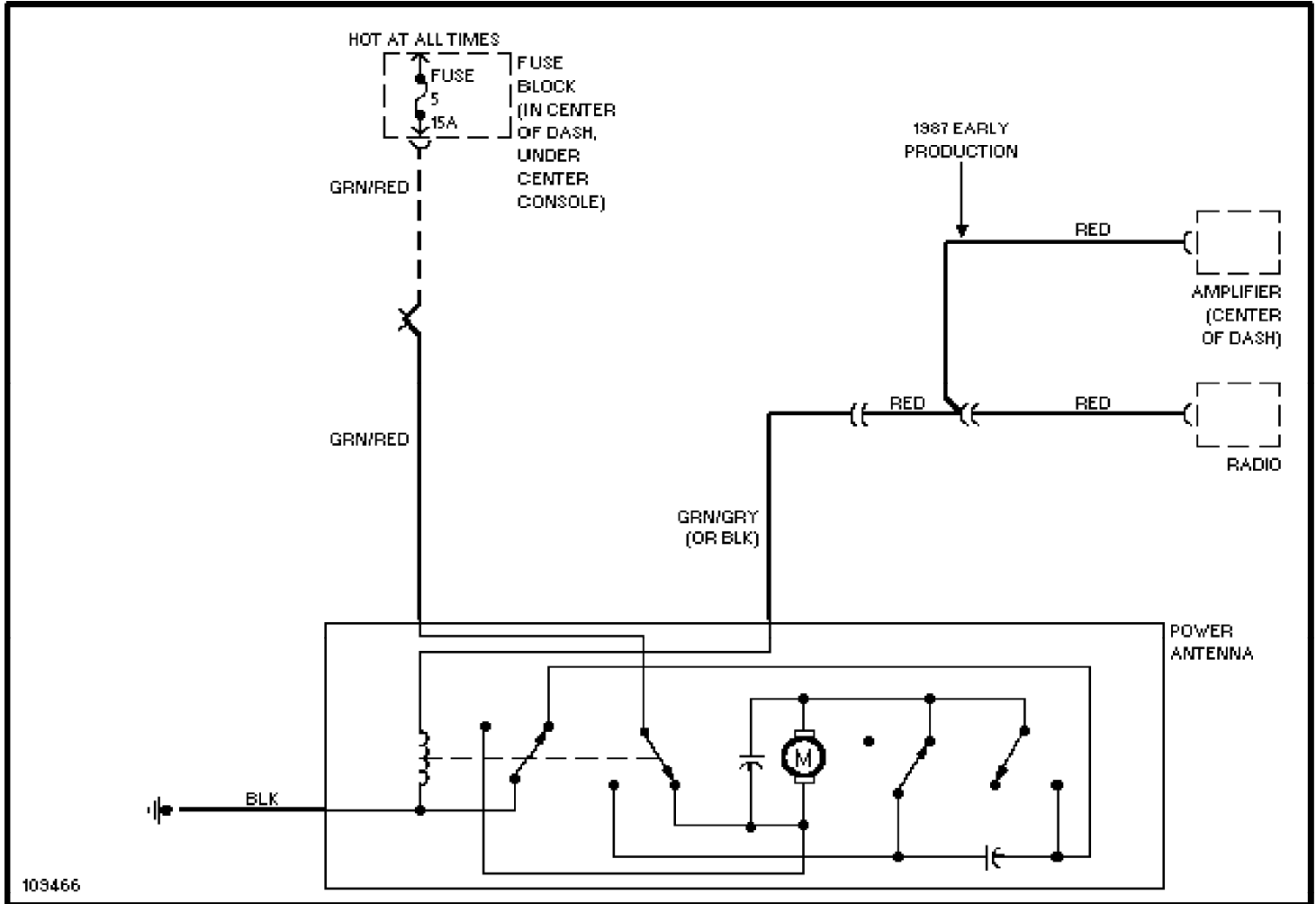
Power Antenna Circuit

1989 Volvo 740

For x

Copyright © 1998 Mitchell Repair Information Company, LLC

Friday, July 23, 2004 09:18PM



SYSTEM WIRING DIAGRAMS

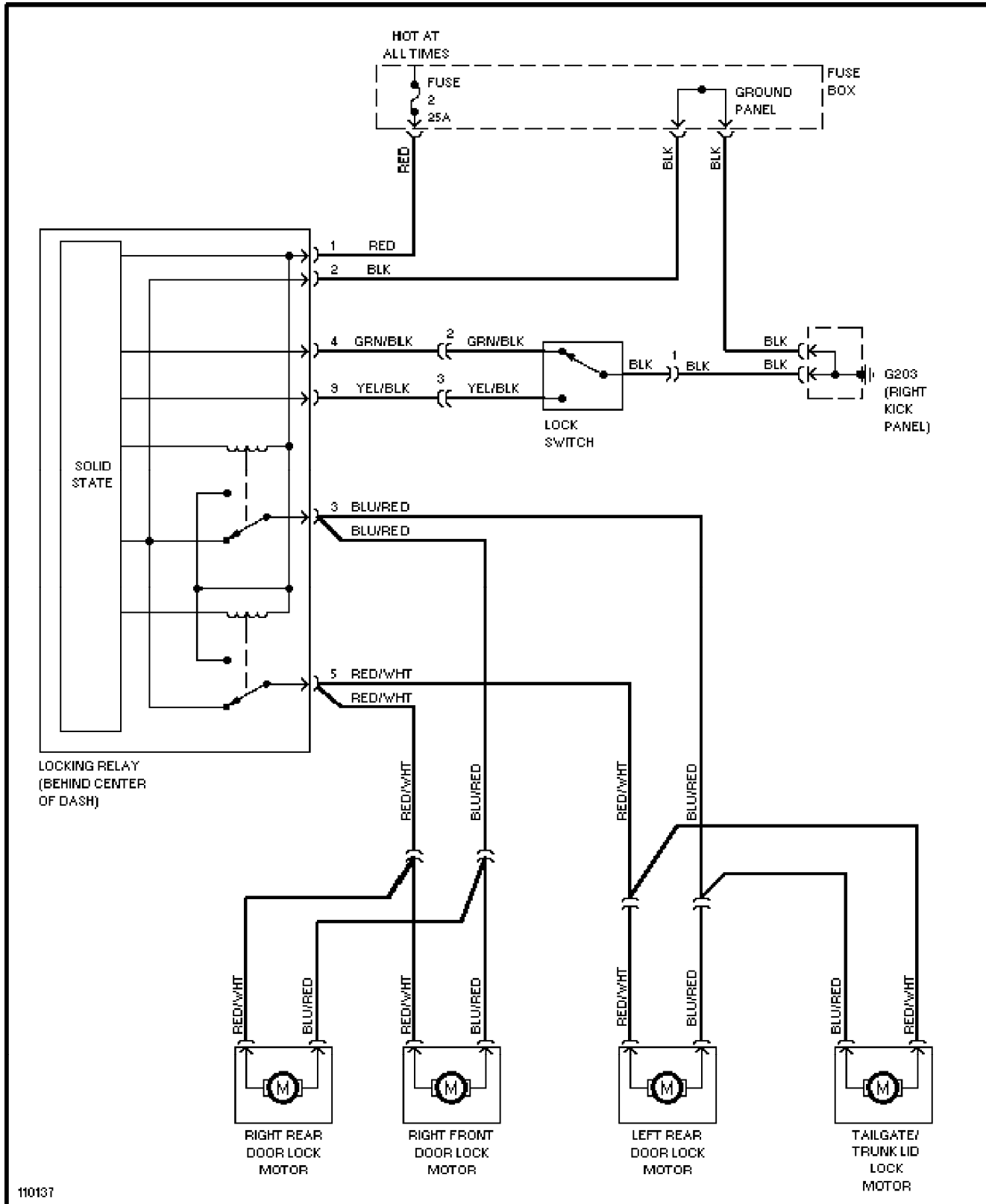
Power Door Lock Circuit

1989 Volvo 740

For x

Copyright © 1998 Mitchell Repair Information Company, LLC

Friday, July 23, 2004 09:20PM



SYSTEM WIRING DIAGRAMS

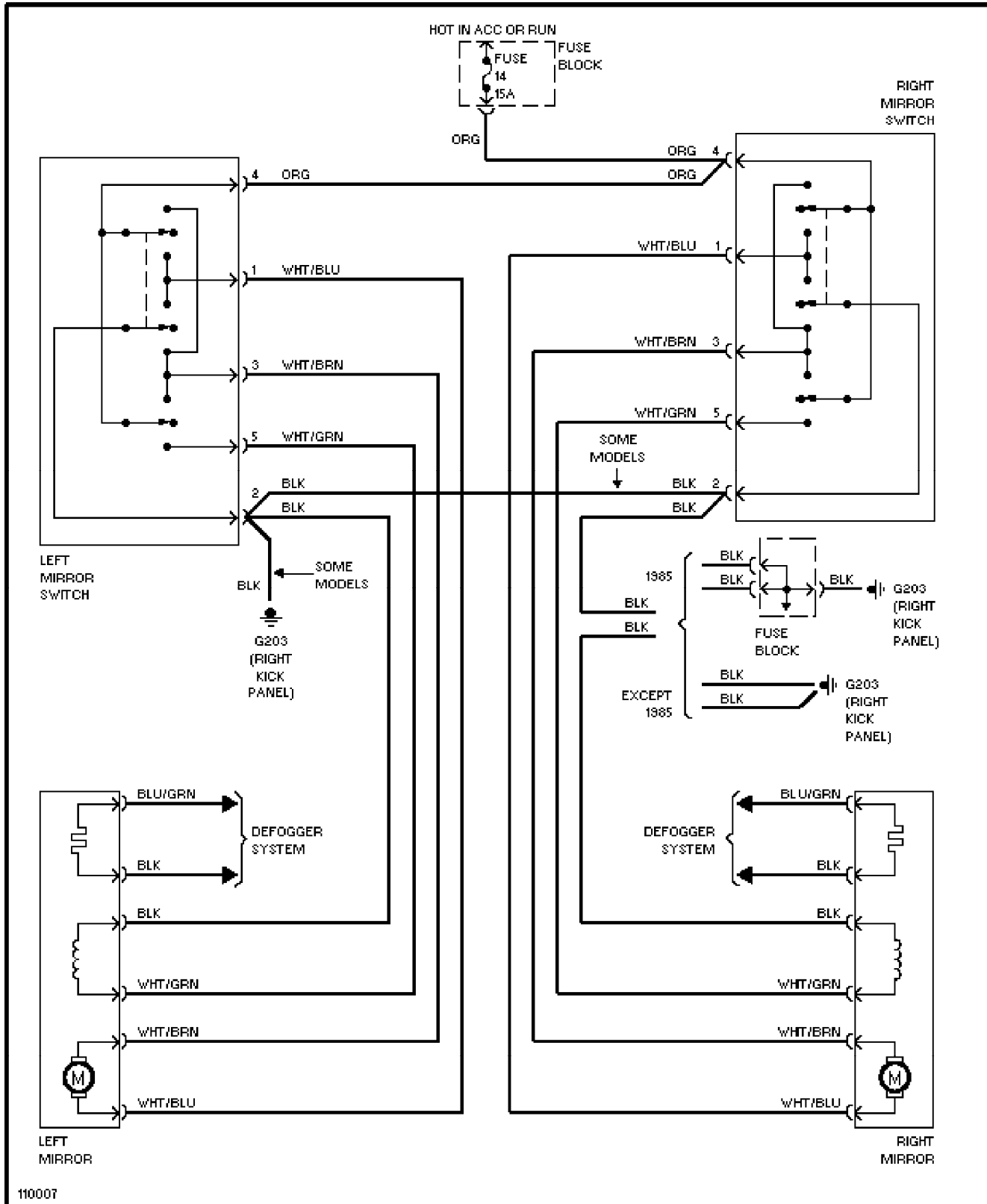
Power Mirror Circuit

1989 Volvo 740

For x

Copyright © 1998 Mitchell Repair Information Company, LLC

Friday, July 23, 2004 09:20PM

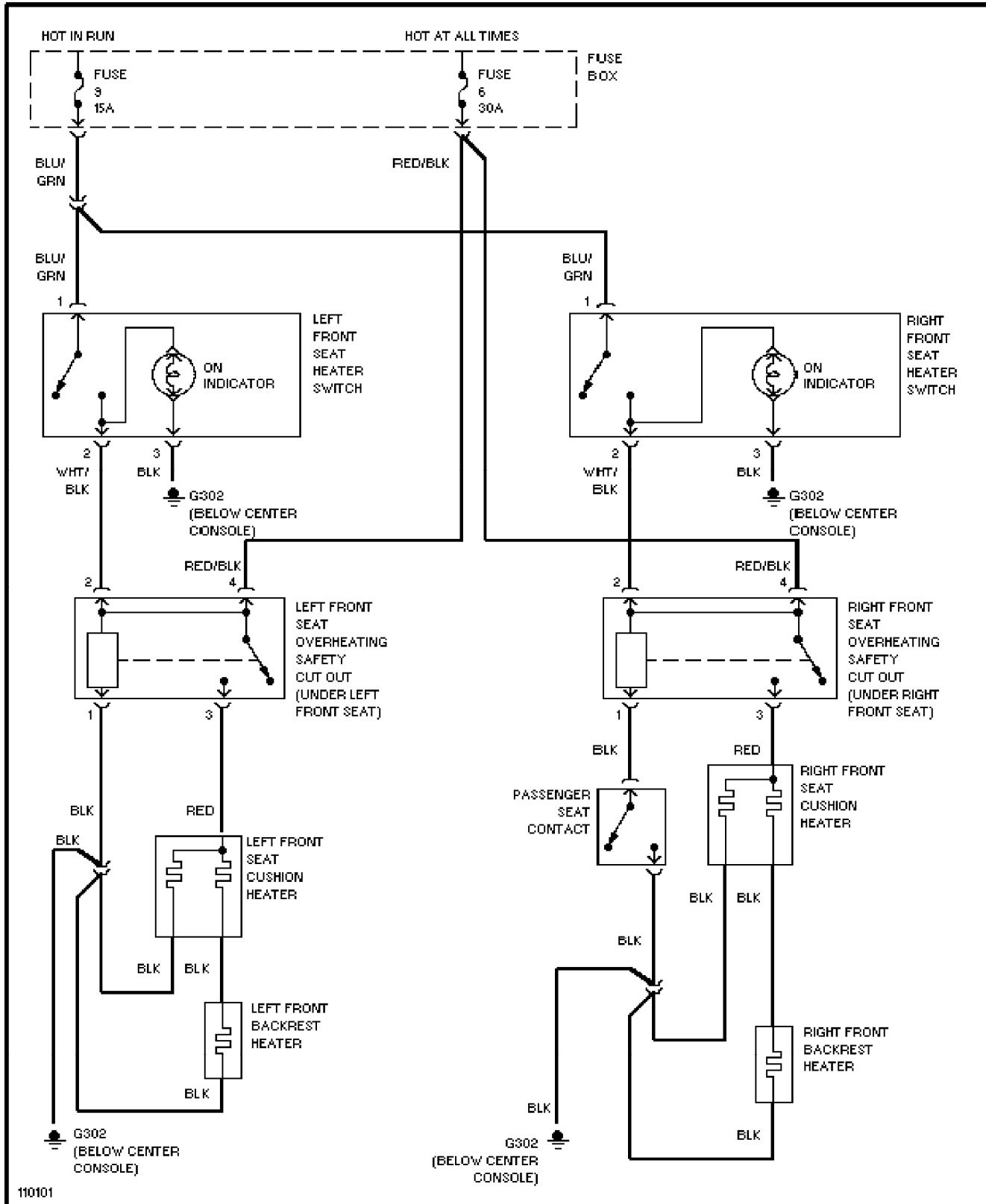


SYSTEM WIRING DIAGRAMS

Heated Seats Circuit, Dual Output

1989 Volvo 740

For x
 Copyright © 1998 Mitchell Repair Information Company, LLC
 Friday, July 23, 2004 09:20PM



SYSTEM WIRING DIAGRAMS

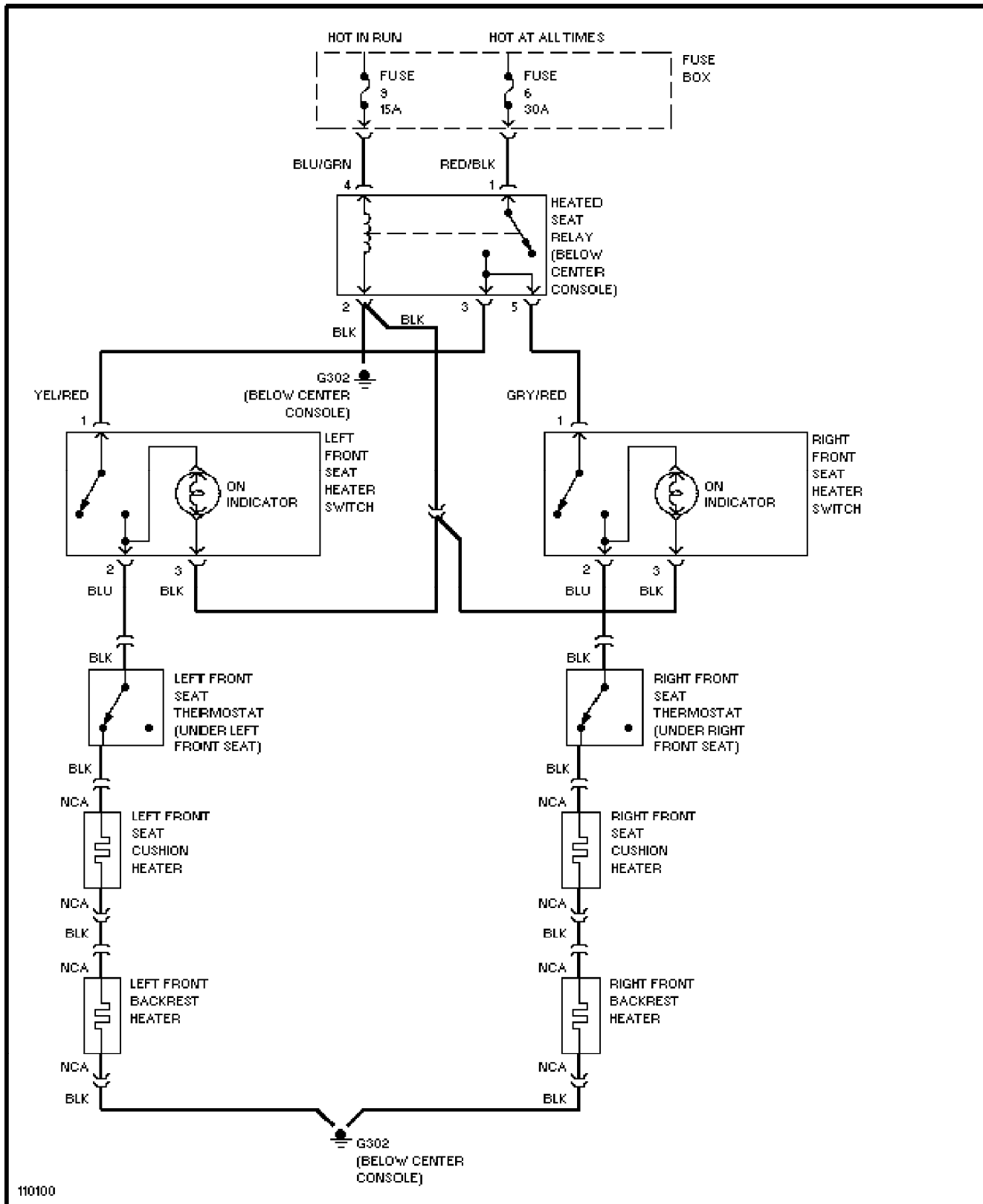
Heated Seats Circuit, Single Output

1989 Volvo 740

For x

Copyright © 1998 Mitchell Repair Information Company, LLC

Friday, July 23, 2004 09:20PM



SYSTEM WIRING DIAGRAMS

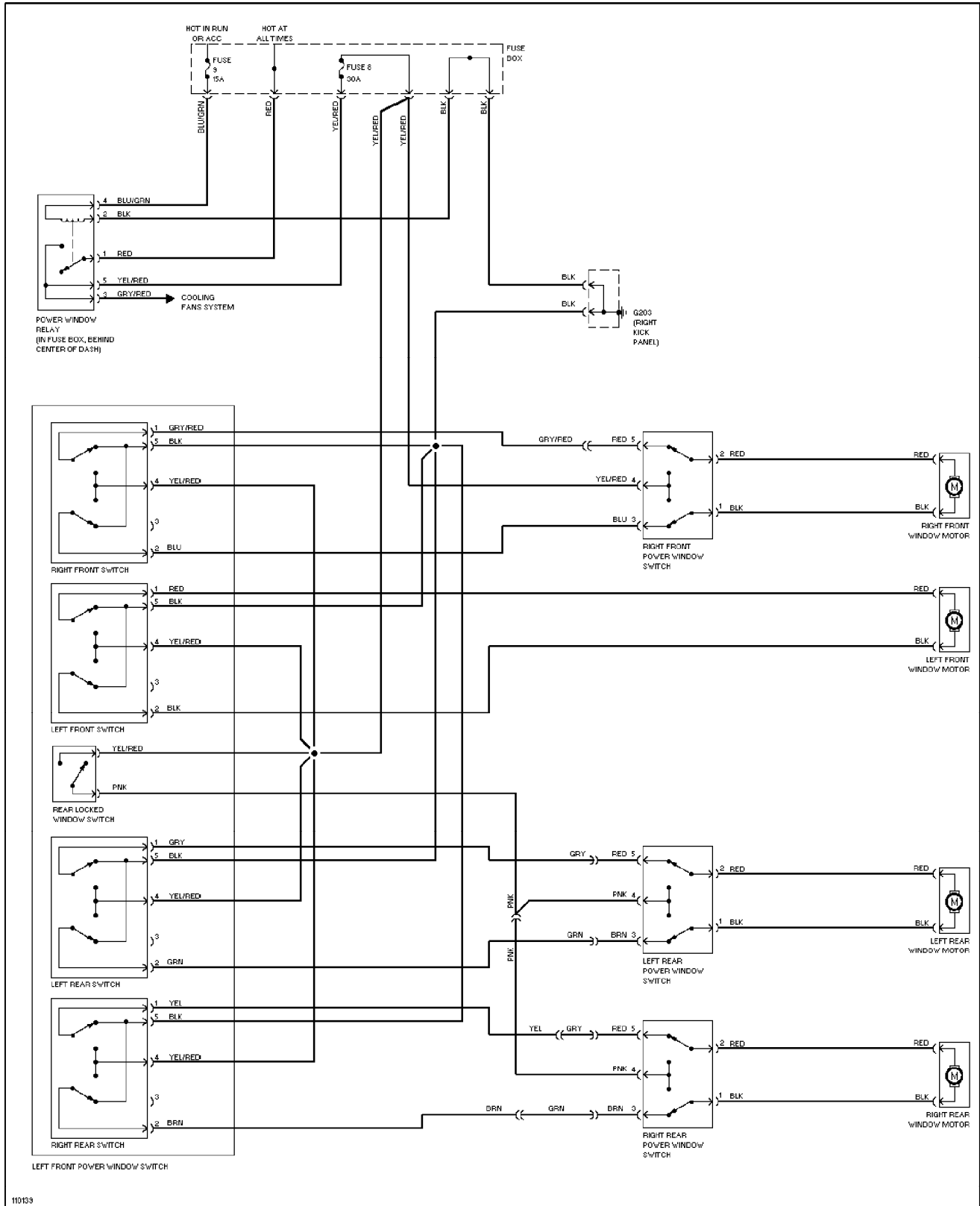
Power Window Circuit

1989 Volvo 740

For x

Copyright © 1998 Mitchell Repair Information Company, LLC

Friday, July 23, 2004 09:20PM



SYSTEM WIRING DIAGRAMS

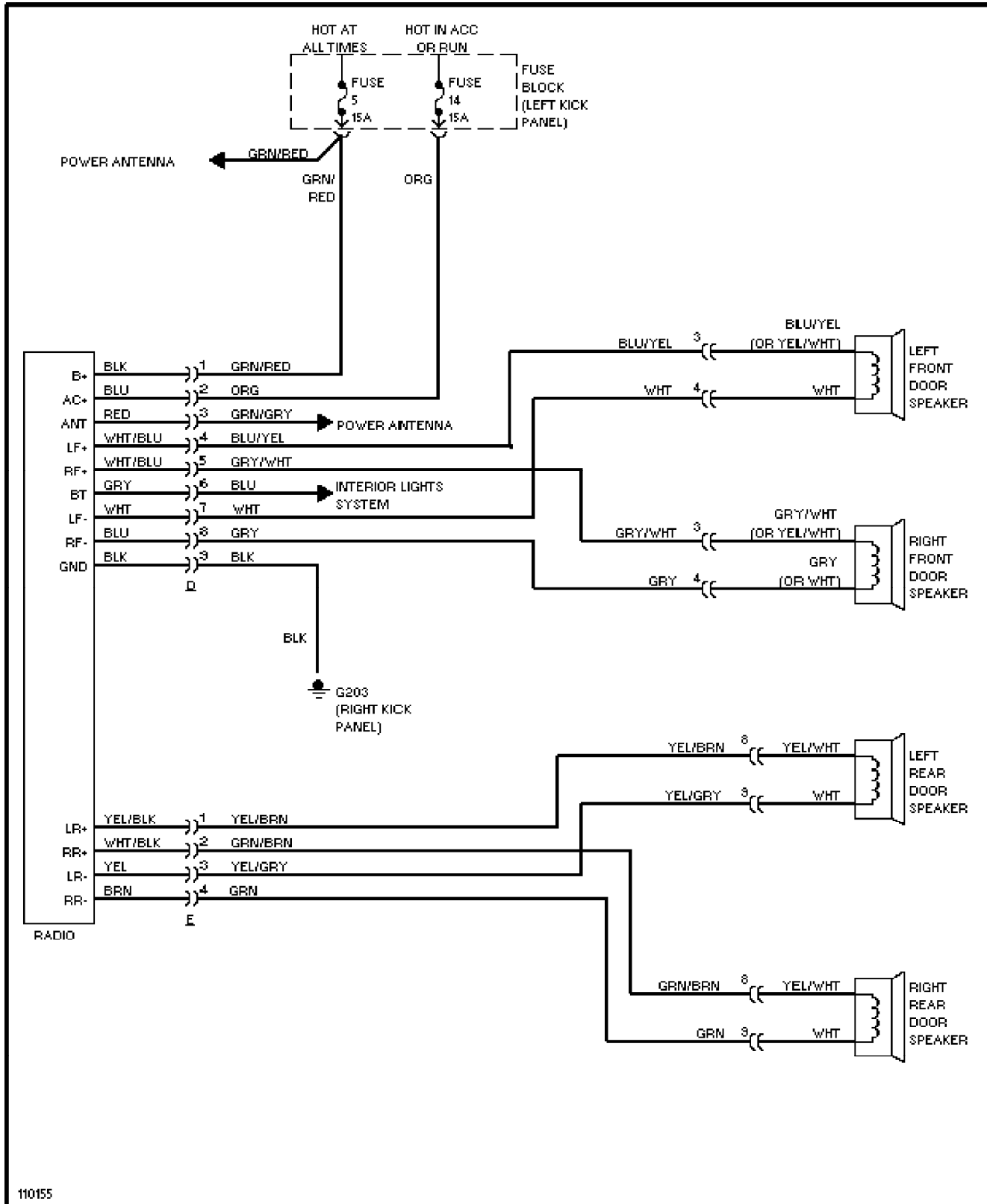
Radio Circuits, Base Radio

1989 Volvo 740

For x

Copyright © 1998 Mitchell Repair Information Company, LLC

Friday, July 23, 2004 09:20PM



SYSTEM WIRING DIAGRAMS

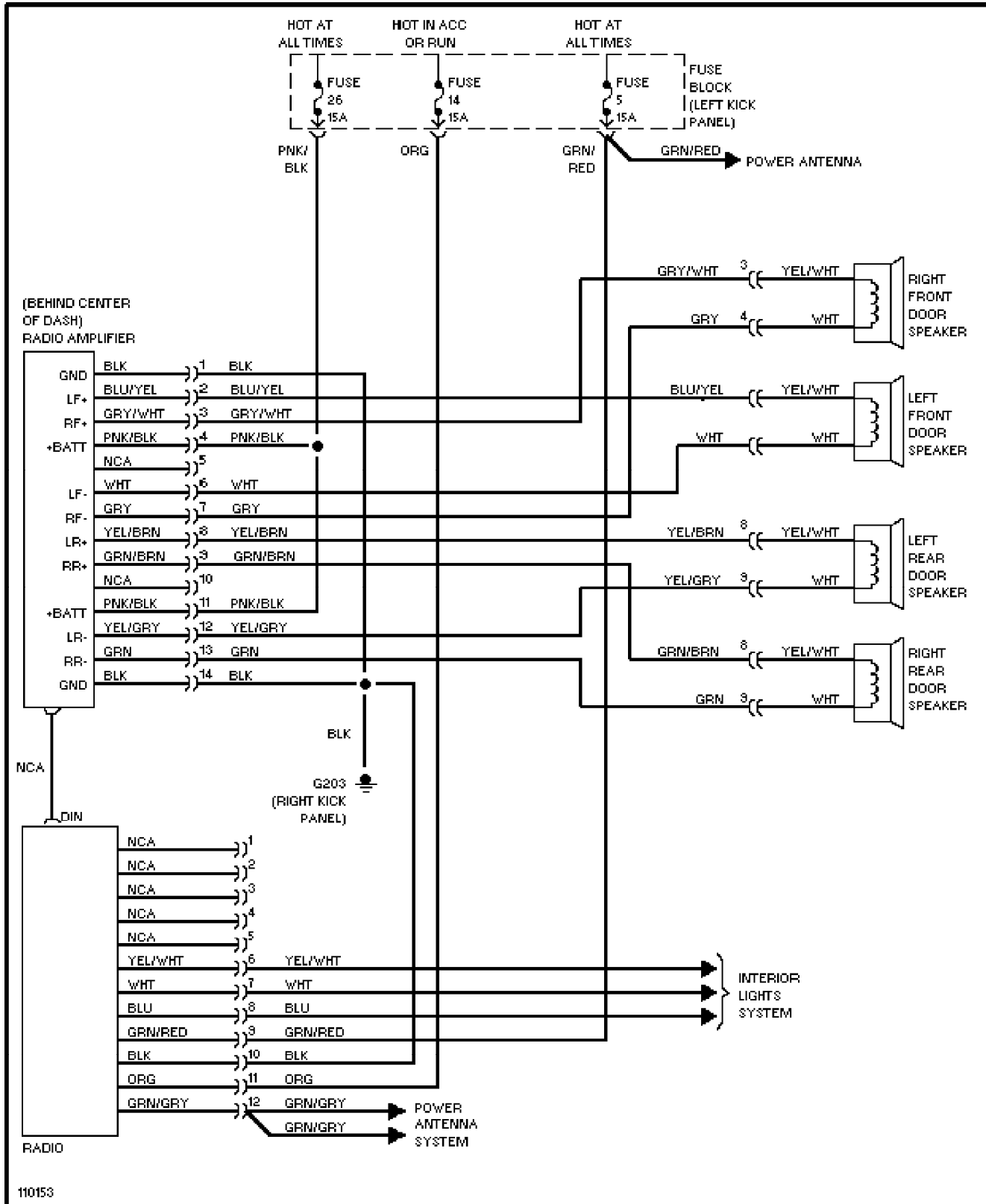
Radio Circuits, W/ Amplifier

1989 Volvo 740

For x

Copyright © 1998 Mitchell Repair Information Company, LLC

Friday, July 23, 2004 09:20PM



SYSTEM WIRING DIAGRAMS

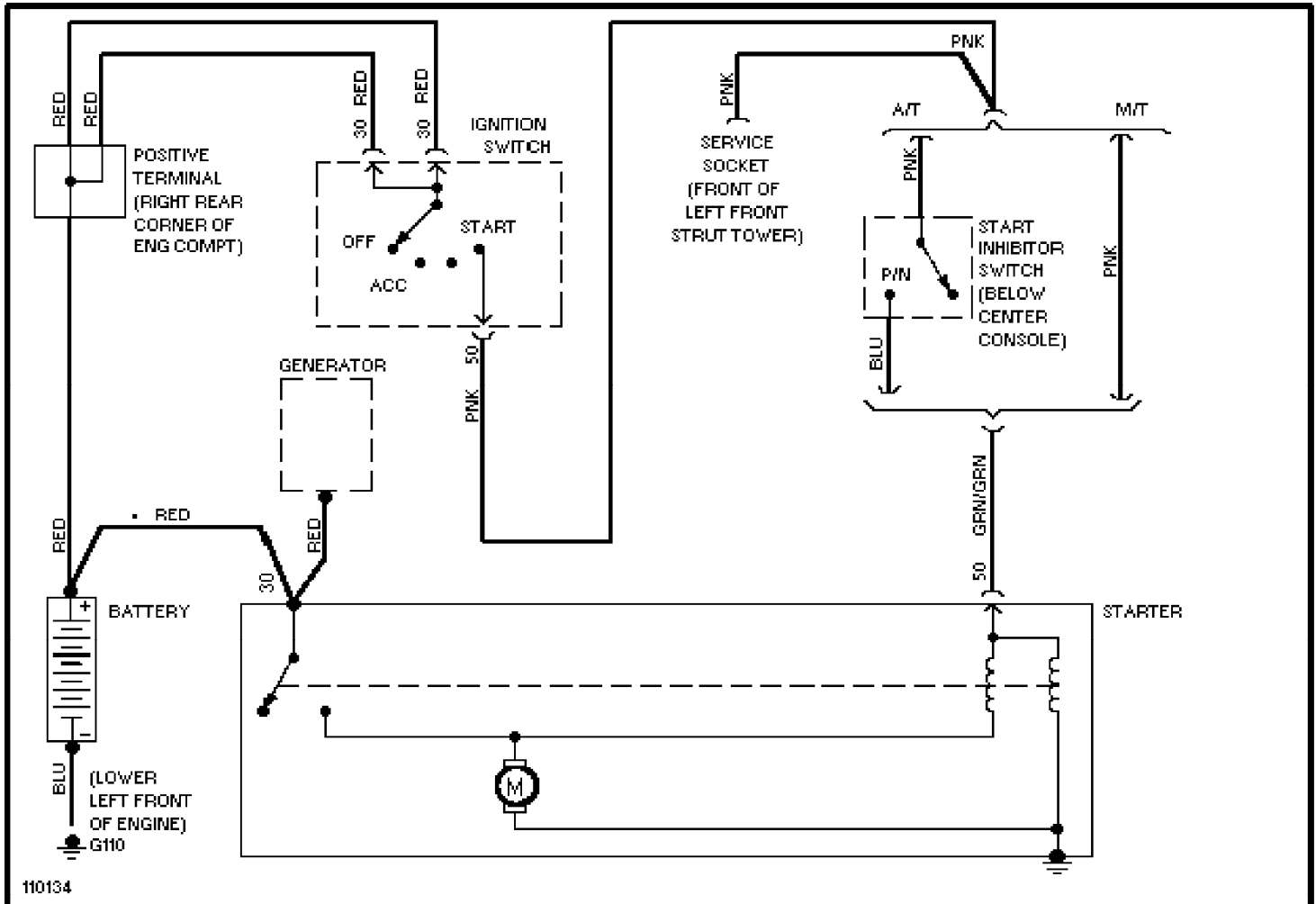
Starting Circuit

1989 Volvo 740

For x

Copyright © 1998 Mitchell Repair Information Company, LLC

Friday, July 23, 2004 09:20PM



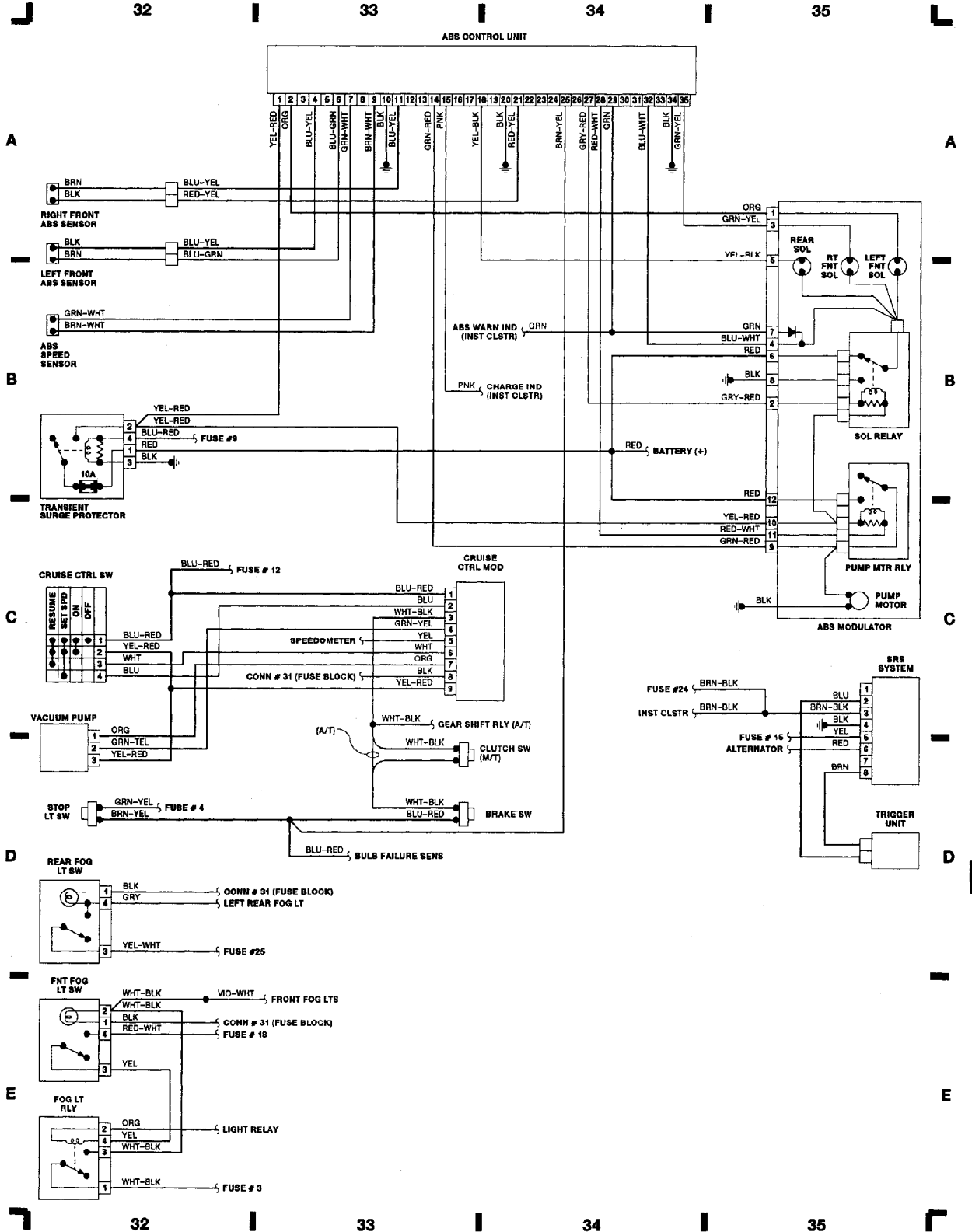
WIRING DIAGRAMS

Fig. 9: Anti-Lock Brake System

1989 Volvo 740

For x

Copyright © 1998 Mitchell Repair Information Company, LLC
Friday, July 23, 2004 09:24PM

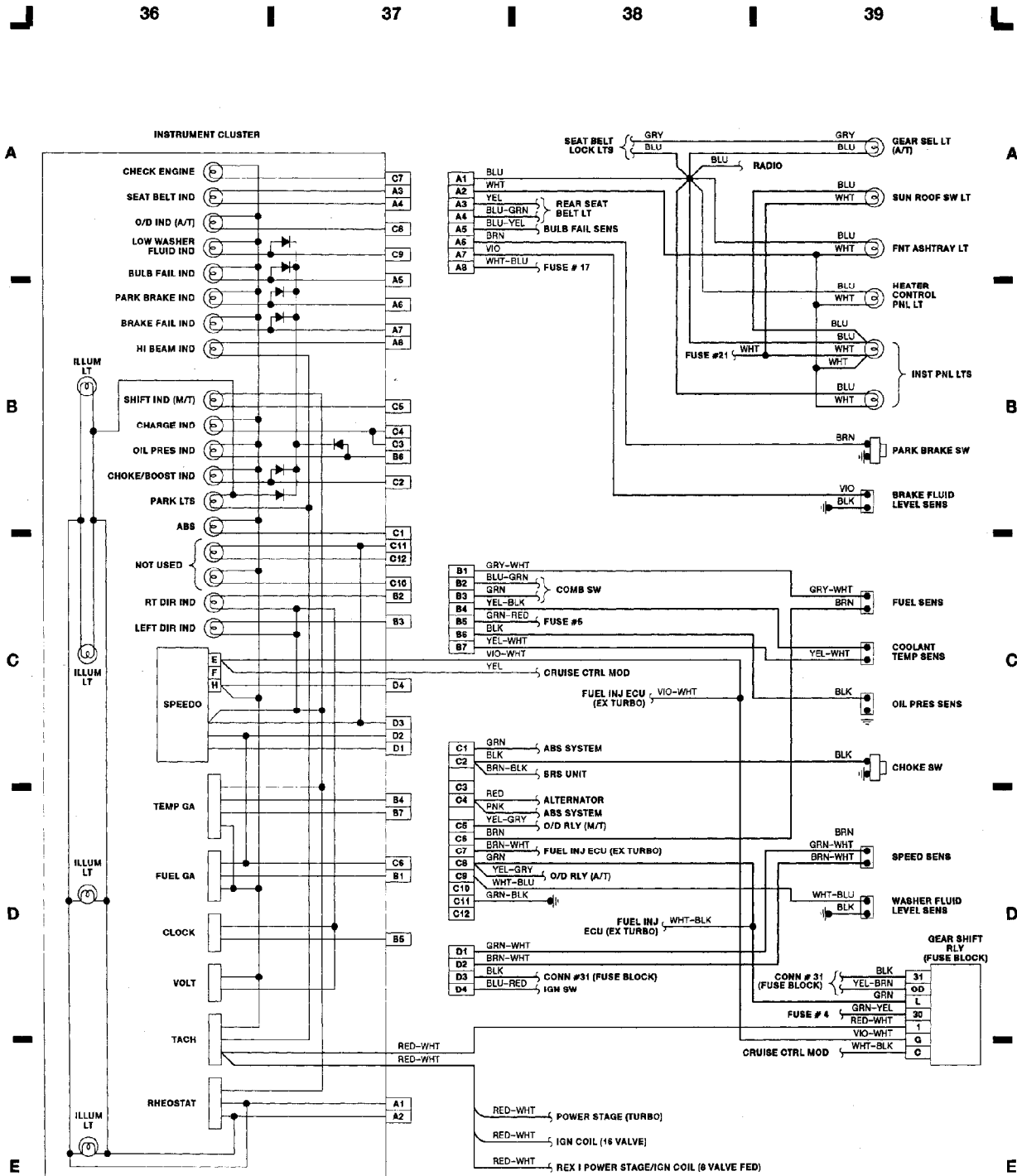


WIRING DIAGRAMS

Fig. 10: Instrument Panel

1989 Volvo 740

For x
 Copyright © 1998 Mitchell Repair Information Company, LLC
 Friday, July 23, 2004 09:24PM



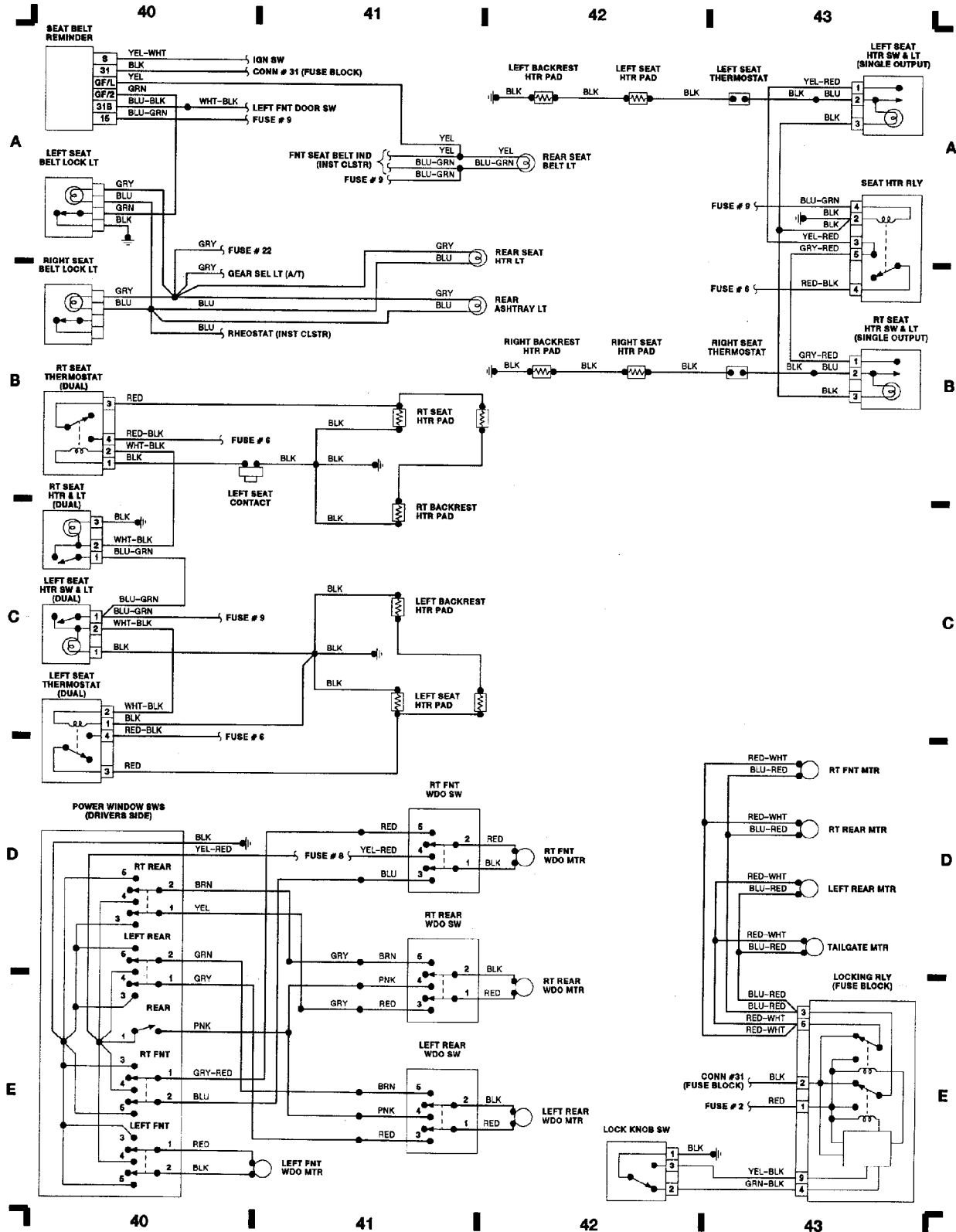
WIRING DIAGRAMS

Fig. 11: Accessories (Continued)

1989 Volvo 740

For x

Copyright © 1998 Mitchell Repair Information Company, LLC
Friday, July 23, 2004 09:24PM



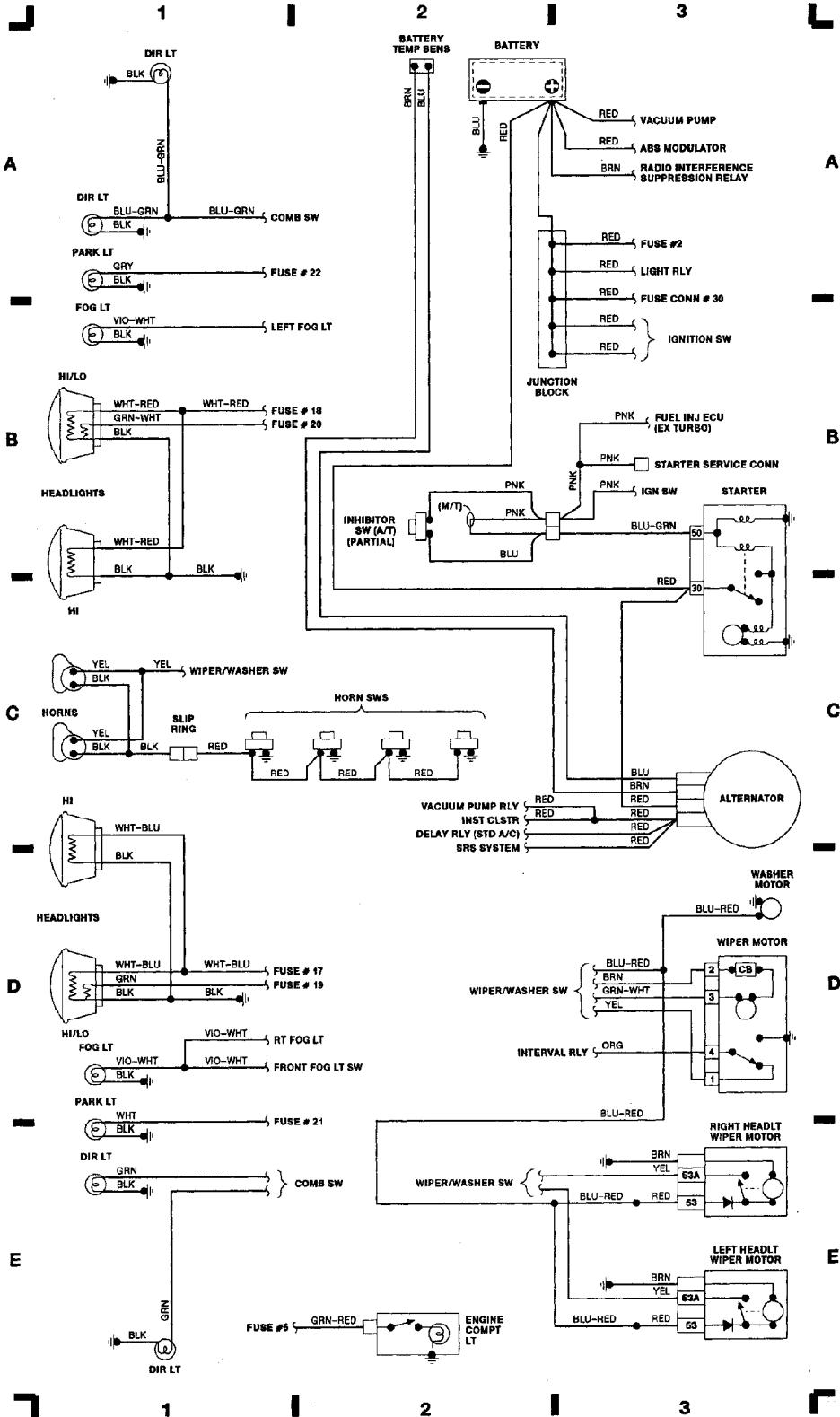
WIRING DIAGRAMS

Fig. 1: Engine Compartment & Headlights

1989 Volvo 740
For x
Copyright © 1998 Mitchell Repair Information Company, LLC
Friday, July 23, 2004 09:22PM

COMPONENT LOCATOR:

A/C SYSTEM (ACC)	D-E 24-27
A/C SYSTEM (STD)	C-D 24-27
ABS SYSTEM	A-C 32-35
ALTERNATOR	B 45
ANTENNA MOTOR	E 46
BACK-UP LT SW	C 45-46
BULB FAILURE SENS	E 28
CRUISE CTRL	B 45
COMB SW	A-B 28
COURTESY LTS	C 28
CRUISE CTRL SYSTEM	C-D 32-33
DEFOG SW	A-B 44
DELAY RELAY (STD)	C-D 27
DOOR LIGHTS	D 28
ENGINE COMPT LT	E 2
FLASHER RELAY	A 31
FNT FOG LT SW	E 32
FOG LT RELAY	E 32
FUEL INJ ECU (8 VALVE)	A-C 4
FUEL INJ ECU (16 VALVE)	A-C 12
FUEL INJ ECU (TURBO)	A-B 16
FUEL PUMP (MAIN) (8 VALVE FED)	D 8
FUEL PUMP (MAIN) (8 VALVE)	D 4
FUEL PUMP (MAIN) (TURBO)	C 19
FUEL PUMP (TANK)	D 46
FUEL SYSTEM RELAY (16 VALVE)	C 12
FUEL SYSTEM RELAY (8 VALVE)	C 4
FUEL SYSTEM RELAY (TURBO)	B 19
FUSE & RELAY	
BLOCK	B-D 20-23, A-B 26-27
GEAR SEL LT	A 39
GEAR SHIFT RELAY	D 39
GLOVE BOX LT	E 29
HEADLT WIPER MOTORS	E 3
HORNS	C 1
IGN COIL (8 VALVE)	E 15
IGN COIL (16 VALVE)	E 15
IGN COIL (TURBO)	C 16
IGN SW	E 20
IGN SYSTEM ECU (8 VALVE)	C-D 7
IGN SYSTEM ECU (8 VALVE FED)	C-D 11
IGN SYSTEM ECU (16 VALVE)	C-D 15
IGN SYSTEM ECU (TURBO)	D-E 16
INHIBITOR SW	B 21C 46-46
INST CLSTR	A-E 36-37
INST PANEL LTS	B 39
INTERVAL RELAY	D 31
JUNCTION BLOCK	C 30
LEFT FNT DOOR SW	C 30
LEFT SEAT HEATER SW & LT (DUAL)	C 40
LEFT SEAT THERMOSTAT (DUAL)	C-D 40
LIGHT RELAY	B-C 31
LIGHT SW	A-B 31
LOCKING RELAY	E 43
O ₂ SENS (8 VALVE)	C 7
O ₂ SENS (16 VALVE FED)	C 11
O ₂ SENS (16 VALVE)	C 15
OVERDRIVE RELAY	A-B 24
POWER STAGE (16 VALVE)	D-E 15
POWER STAGE (TURBO)	E 19
POWER WINDOW SYSTEM	D-E 40-42
PWR WINDOW/COOLANT FAN RLY	B 24
RADIO INTERFERENCE SUPPRESSION RELAY (8 VALVE)	B 7
RADIO INTERFERENCE SUPPRESSION RELAY (16 VALVE FED)	B 11
RADIO INTERFERENCE SUPPRESSION RELAY (16 VALVE)	B 15
RADIO INTERFERENCE SUPPRESSION RELAY (TURBO)	D 19
REAR FOG LT SW	D 32
REAR WIPER INTERVAL RELAY	C 44
REAR WIPER/WASHER SW	D-E 31
REX 1 POWER STAGE/IGN COIL	D-E 11
RIGHT POWER MIRROR SW	D-E 44
RIGHT SEAT THERMOSTAT (DUAL)	B 40
SEAT BELT LOCK LTS	A-B 40
SEAT BELT REMINDER	A 40
SEAT HEATER RELAY	A-B 43
SRS SYSTEM	C-D 35
STARTER	B-C 3
STOP LT SW	D 32
SUNROOF SW	E 44
THERMAL SW	B-C 27
TRANSIENT SURGE PROTECTOR	B 32
TRUNK LT	D 46
VACUUM PUMP RLY	E 26
WASHER MOTOR	D 3
WIPER MOTOR	D 3
WIPER/WASHER SW	C 31



WIRING DIAGRAMS

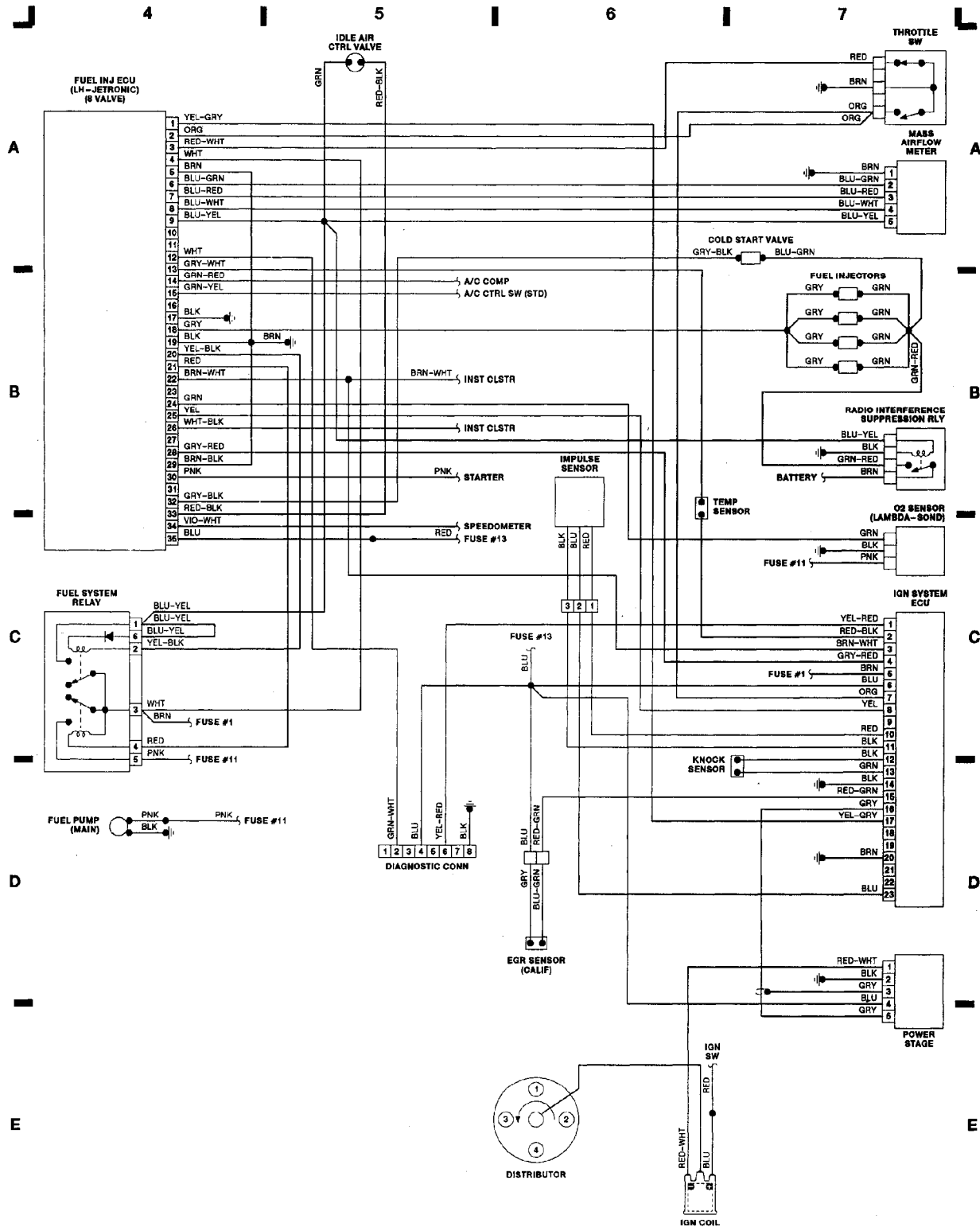
Fig. 2: Computer Engine Control (LH-Jetronic, 8 Valve)

1989 Volvo 740

For x

Copyright © 1998 Mitchell Repair Information Company, LLC

Friday, July 23, 2004 09:22PM

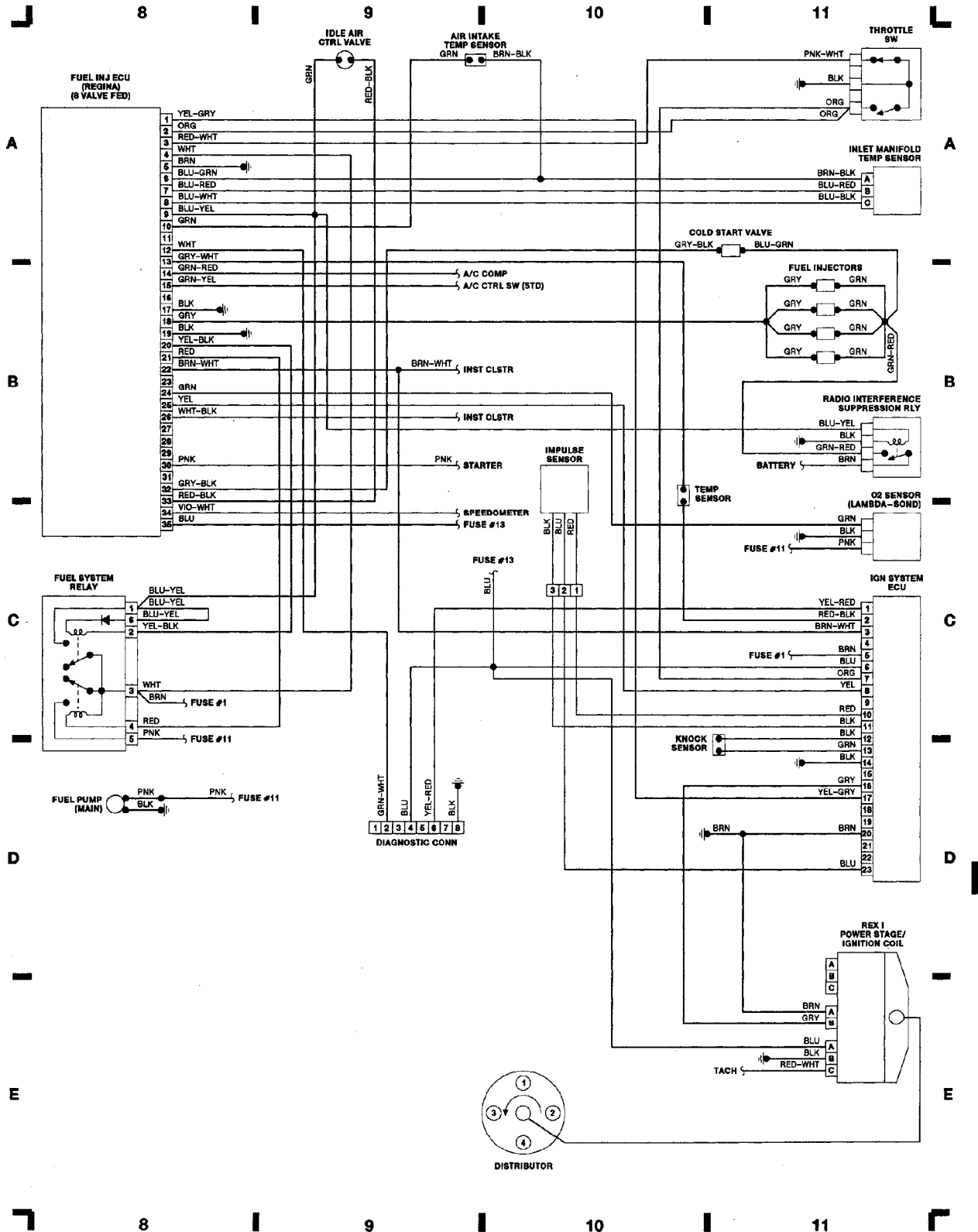


WIRING DIAGRAMS

Fig. 3: Computer Engine Control (Regina, 8 Valve)

1989 Volvo 740

For x
Copyright © 1998 Mitchell Repair Information Company, LLC
Friday, July 23, 2004 09:22PM



WIRING DIAGRAMS

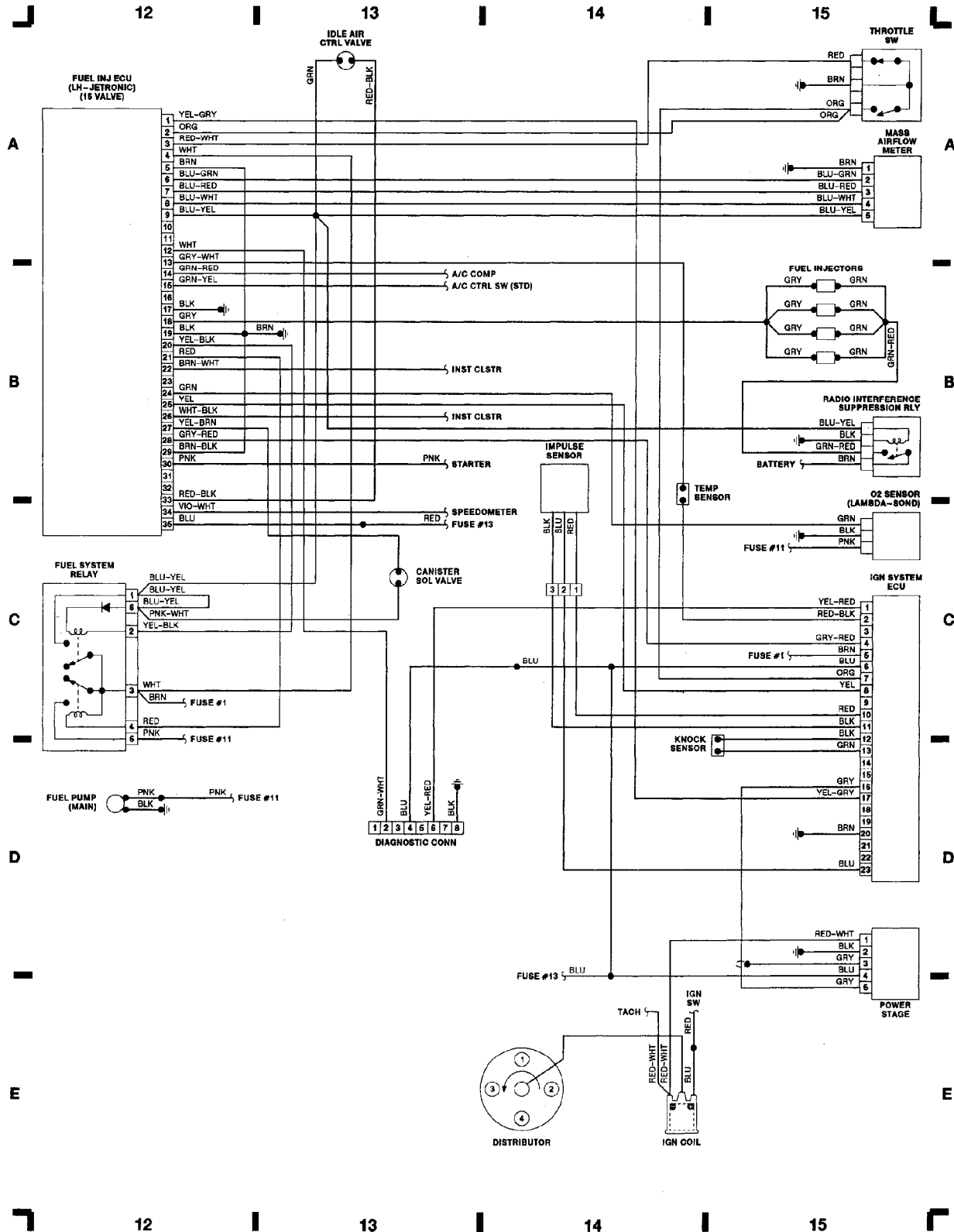
Fig. 4: Computer Engine Control (LH-Jetronic, 16 Valve)

1989 Volvo 740

For x

Copyright © 1998 Mitchell Repair Information Company, LLC

Friday, July 23, 2004 09:22PM



WIRING DIAGRAMS

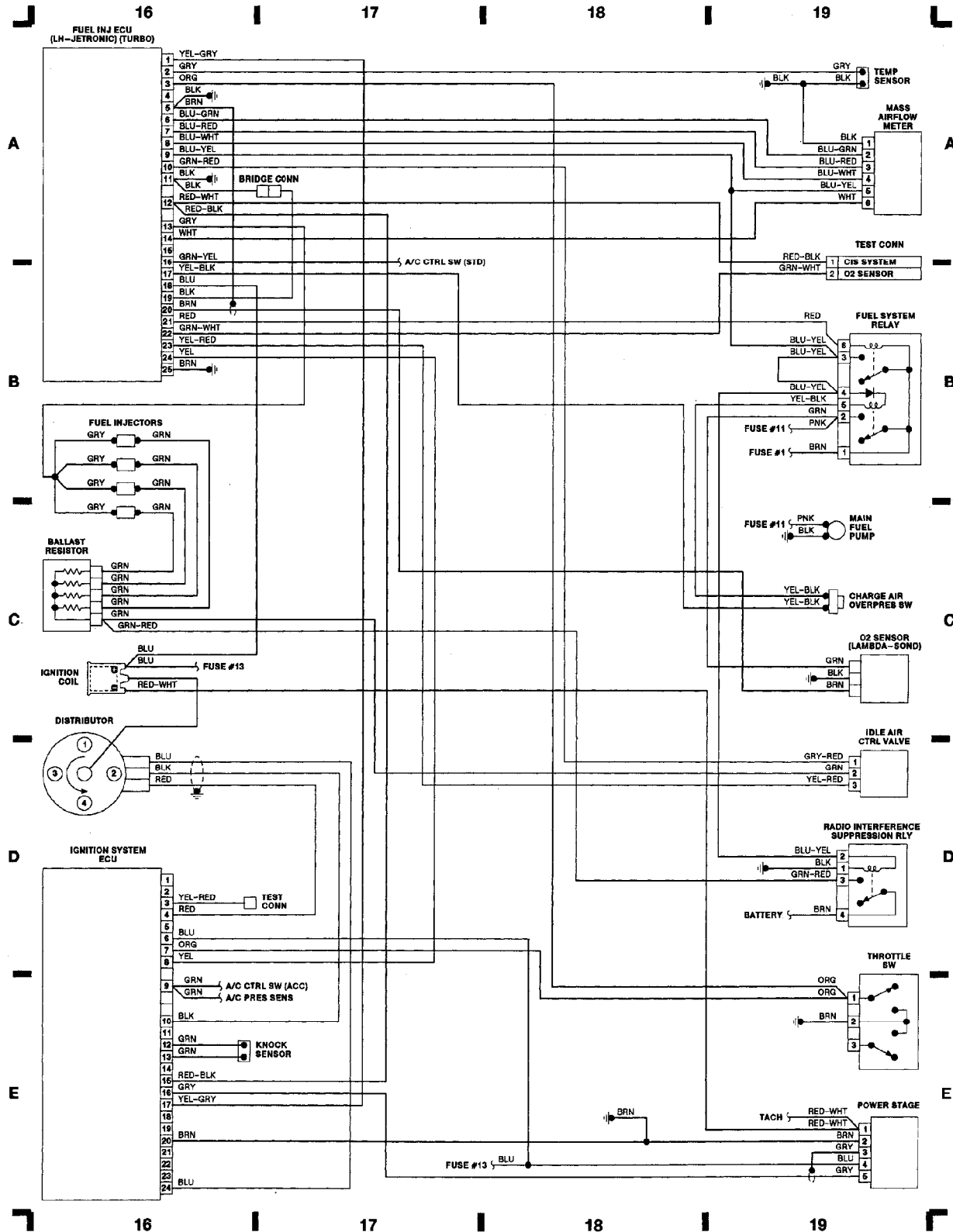
Fig. 5: Computer Engine Control (LH-Jetronic, Turbo)

1989 Volvo 740

For x

Copyright © 1998 Mitchell Repair Information Company, LLC

Friday, July 23, 2004 09:23PM



WIRING DIAGRAMS

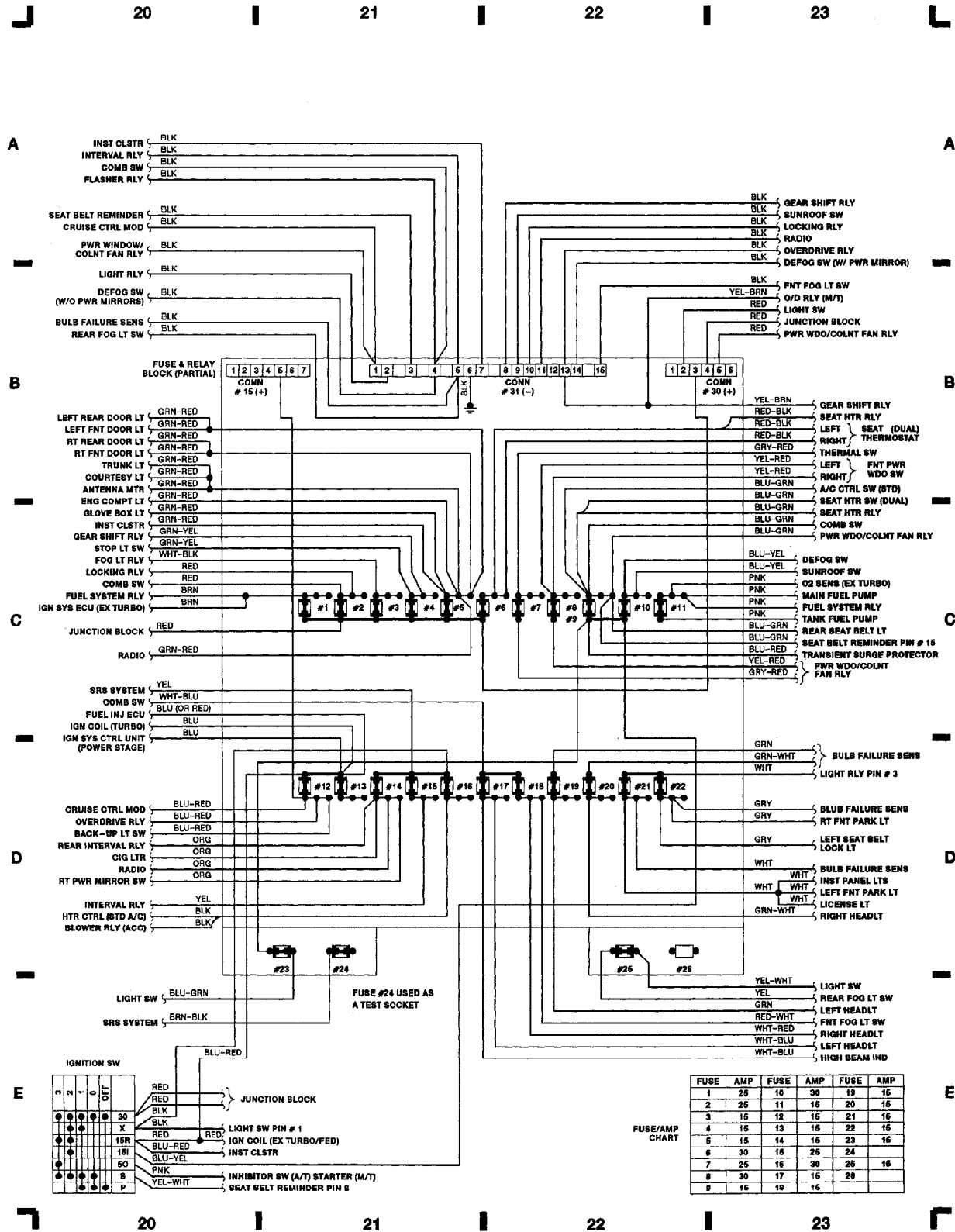
Fig. 6: Fuse Block

1989 Volvo 740

For x

Copyright © 1998 Mitchell Repair Information Company, LLC

Friday, July 23, 2004 09:23PM



WIRING DIAGRAMS

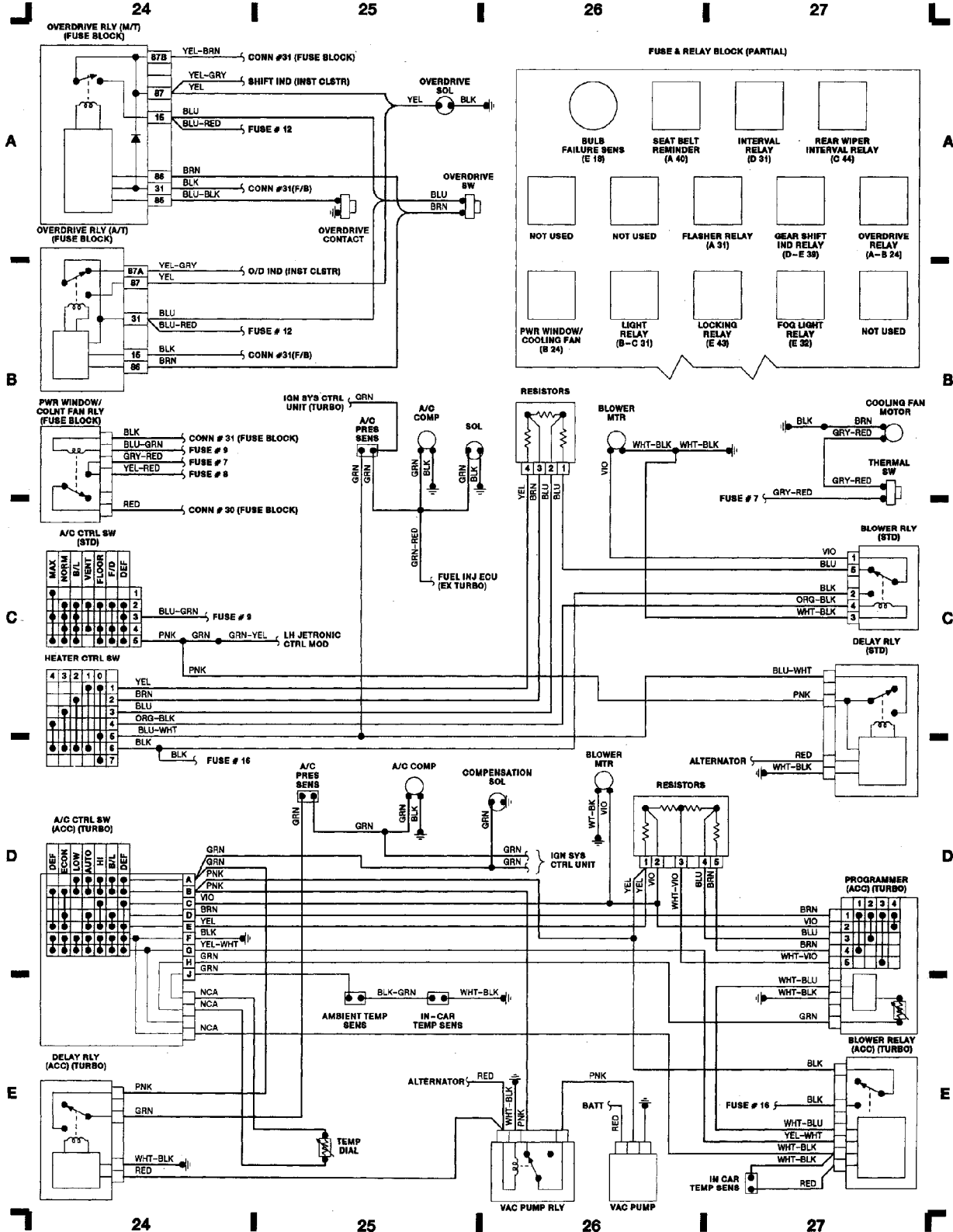
Fig. 7: Automatic Transmission Control, Relays, A/C & Heating

1989 Volvo 740

For x

Copyright © 1998 Mitchell Repair Information Company, LLC

Friday, July 23, 2004 09:23PM



WIRING DIAGRAMS

Fig. 8: Steering Column and Accessories

1989 Volvo 740
For x
Copyright © 1998 Mitchell Repair Information Company, LLC
Friday, July 23, 2004 09:24PM

