

SYSTEM WIRING DIAGRAMS

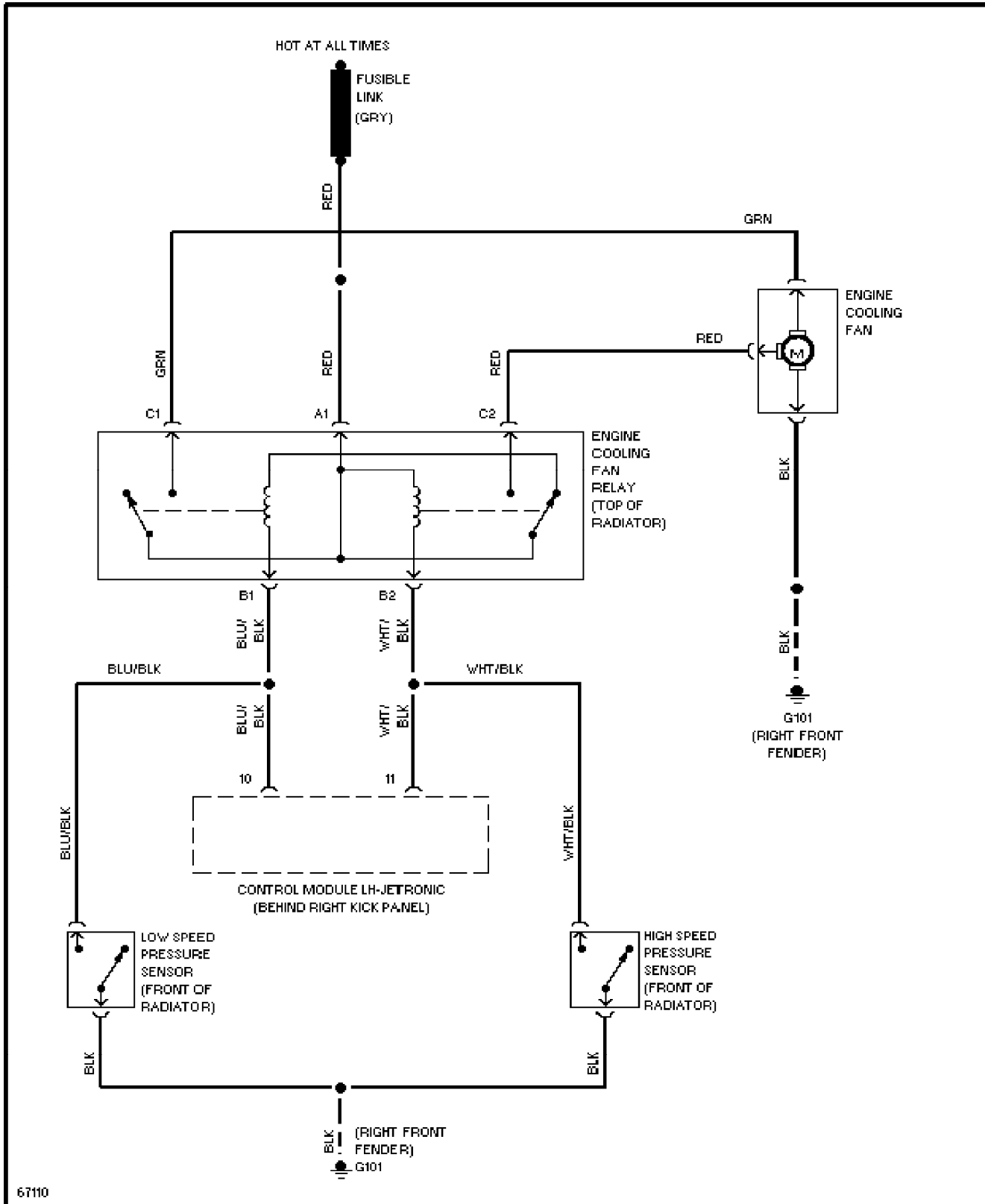
Cooling Fan Circuit

1992 Volvo 740

For x

Copyright © 1998 Mitchell Repair Information Company, LLC

Friday, July 23, 2004 10:29PM



SYSTEM WIRING DIAGRAMS

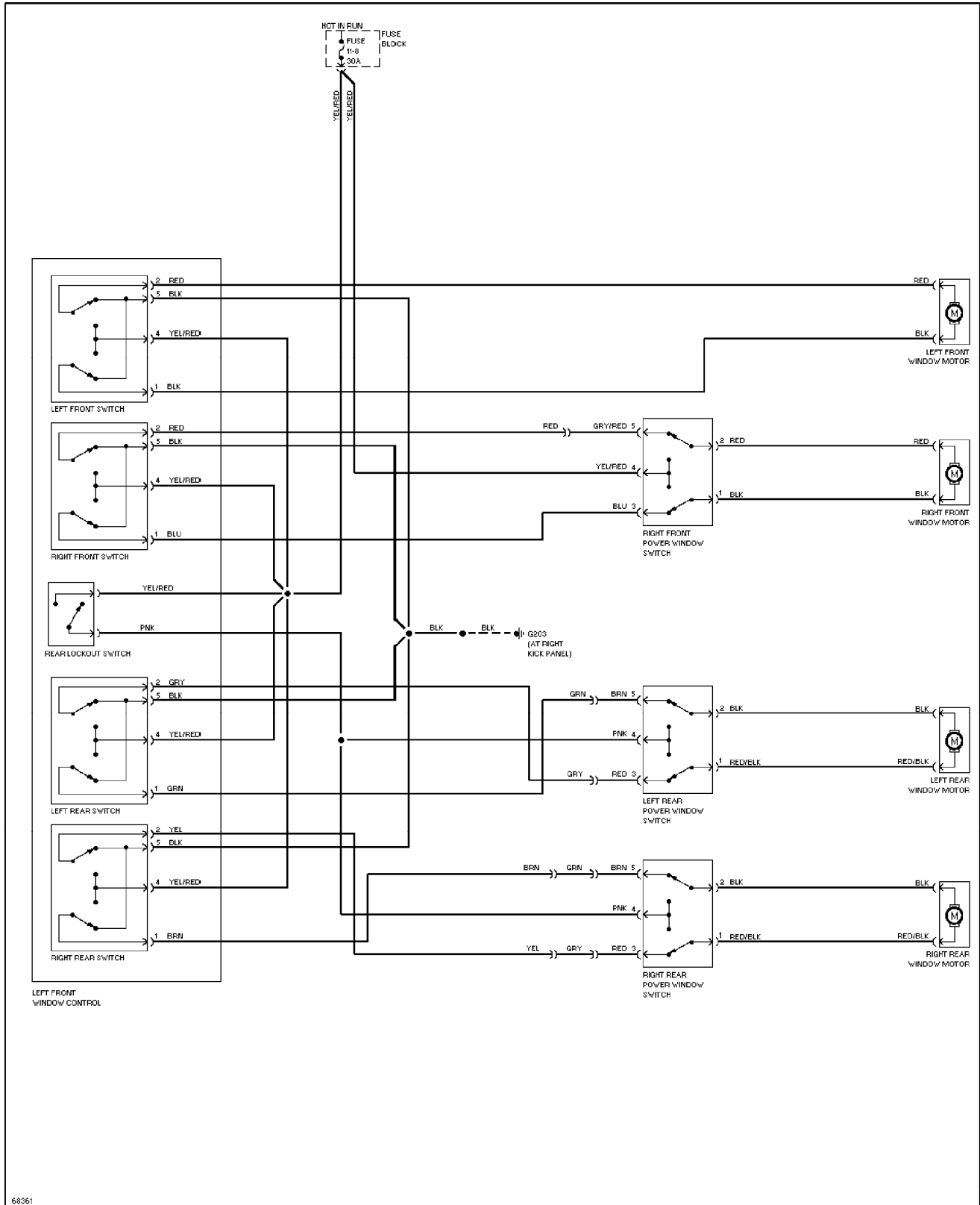
Power Window Circuit

1992 Volvo 740

For x

Copyright © 1998 Mitchell Repair Information Company, LLC

Friday, July 23, 2004 10:32PM



SYSTEM WIRING DIAGRAMS

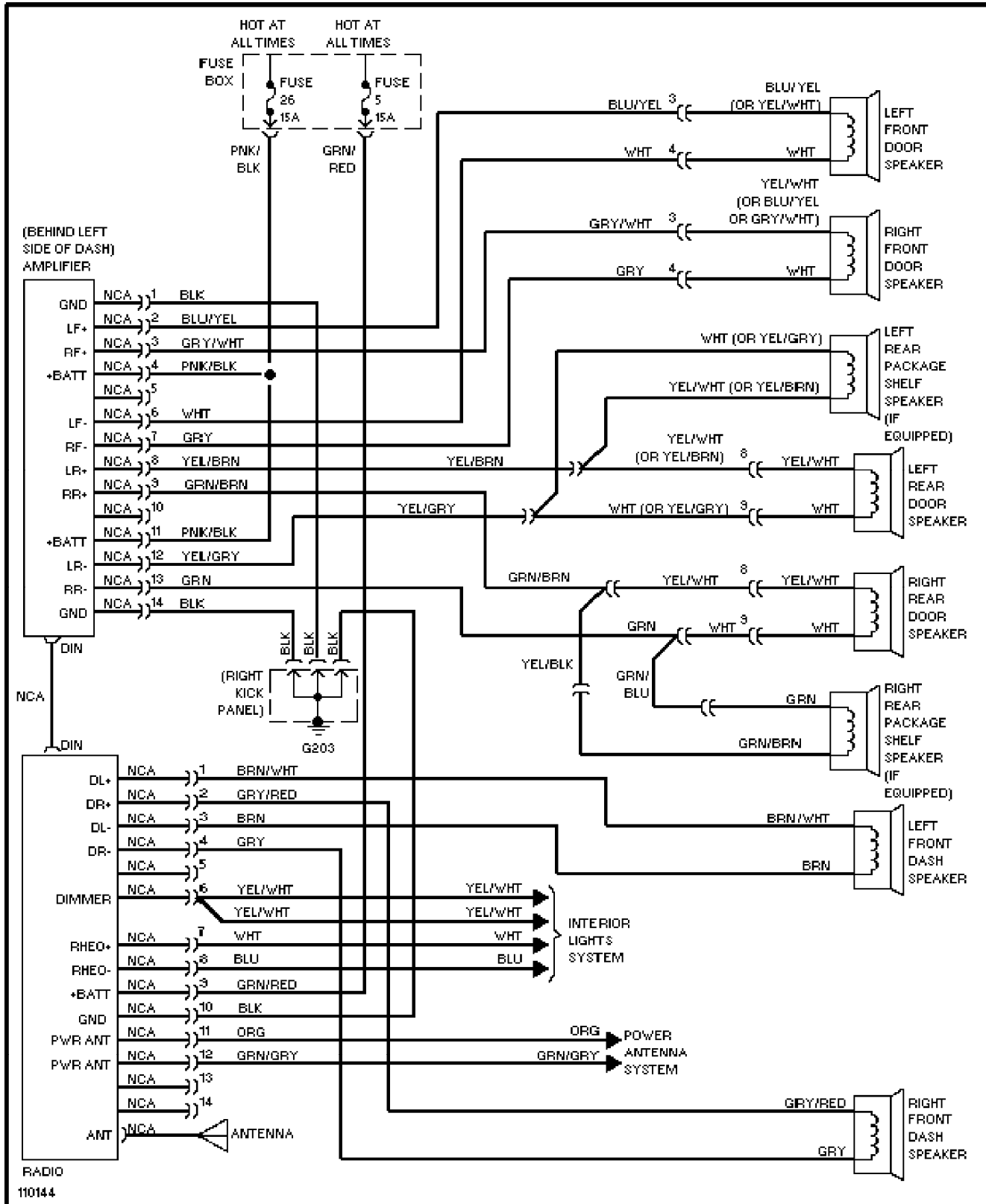
Radio Circuits

1992 Volvo 740

For x

Copyright © 1998 Mitchell Repair Information Company, LLC

Friday, July 23, 2004 10:32PM



SYSTEM WIRING DIAGRAMS

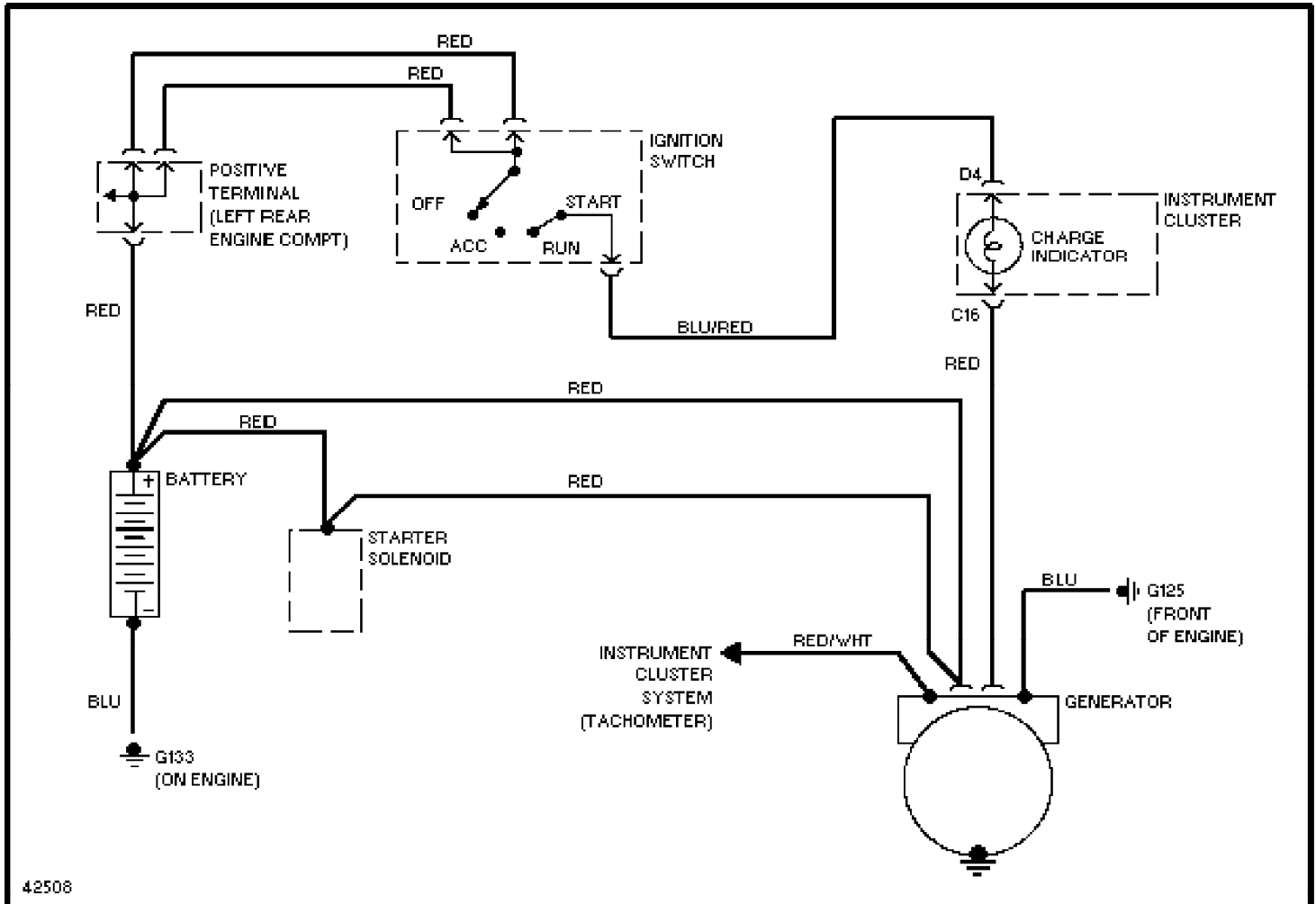
Charging Circuit

1992 Volvo 740

For x

Copyright © 1998 Mitchell Repair Information Company, LLC

Friday, July 23, 2004 10:32PM



SYSTEM WIRING DIAGRAMS

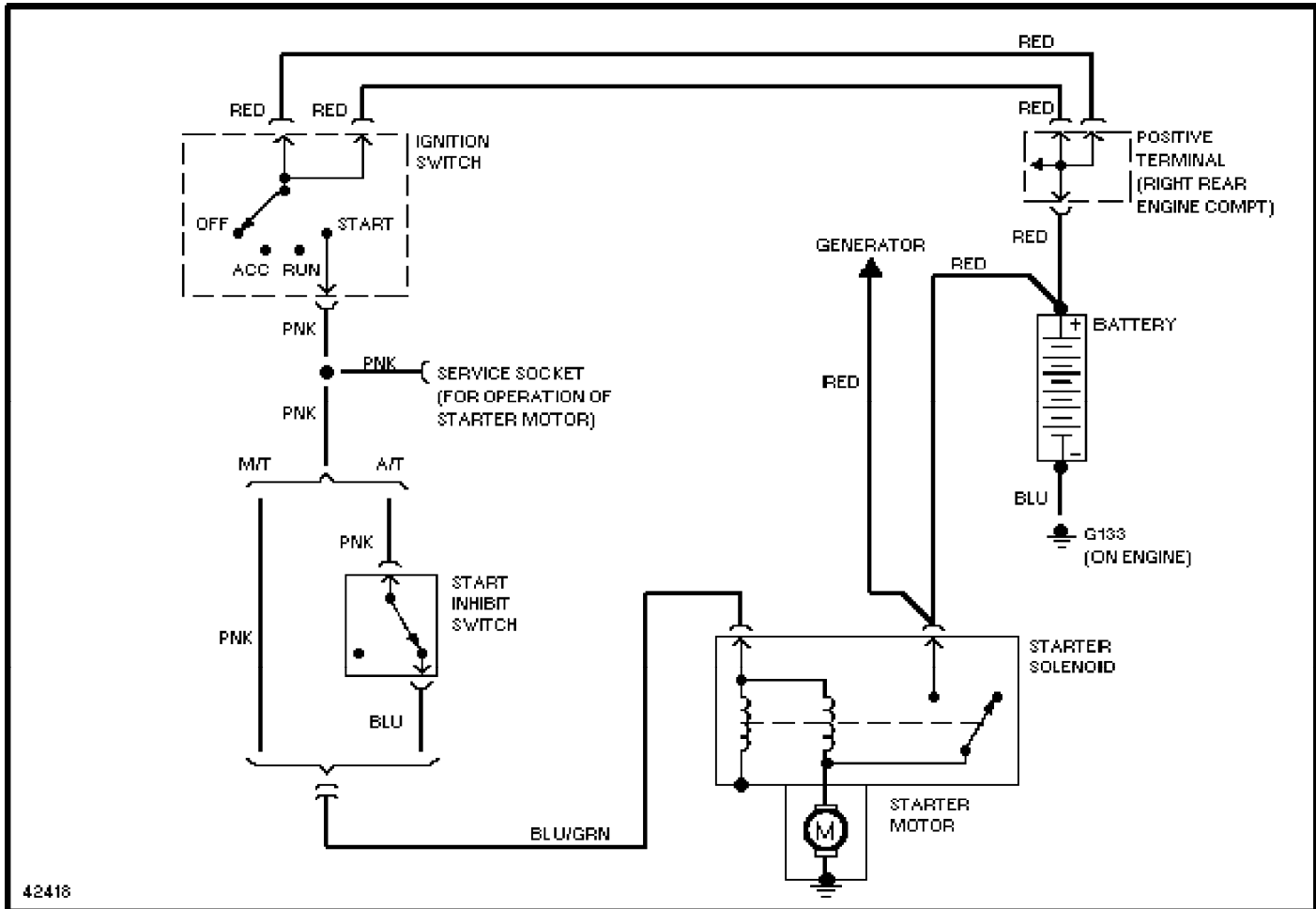
Starting Circuit

1992 Volvo 740

For x

Copyright © 1998 Mitchell Repair Information Company, LLC

Friday, July 23, 2004 10:32PM

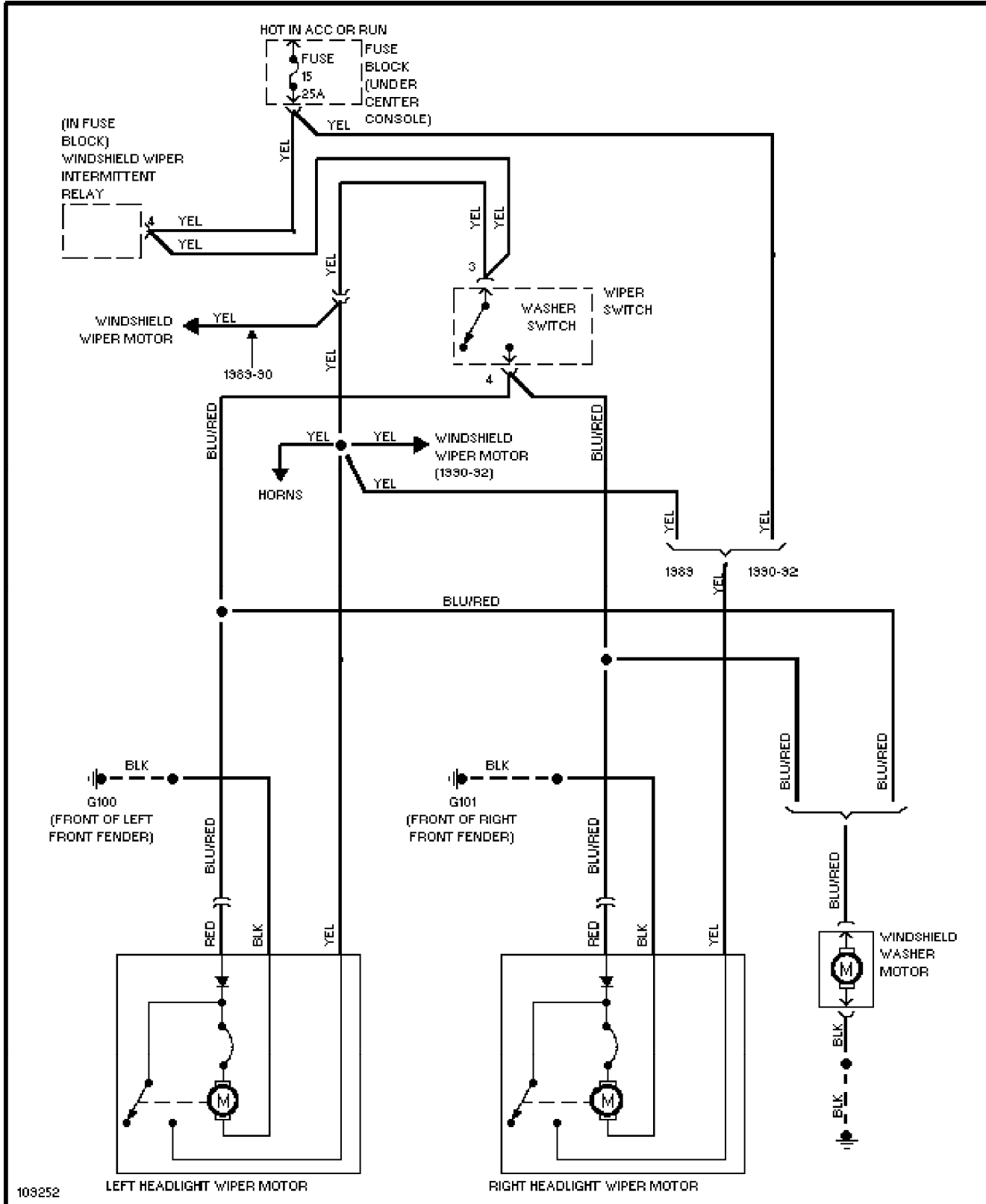


SYSTEM WIRING DIAGRAMS

Headlamp Wiper/Washer Circuit

1992 Volvo 740

For x
 Copyright © 1998 Mitchell Repair Information Company, LLC
 Friday, July 23, 2004 10:32PM



SYSTEM WIRING DIAGRAMS

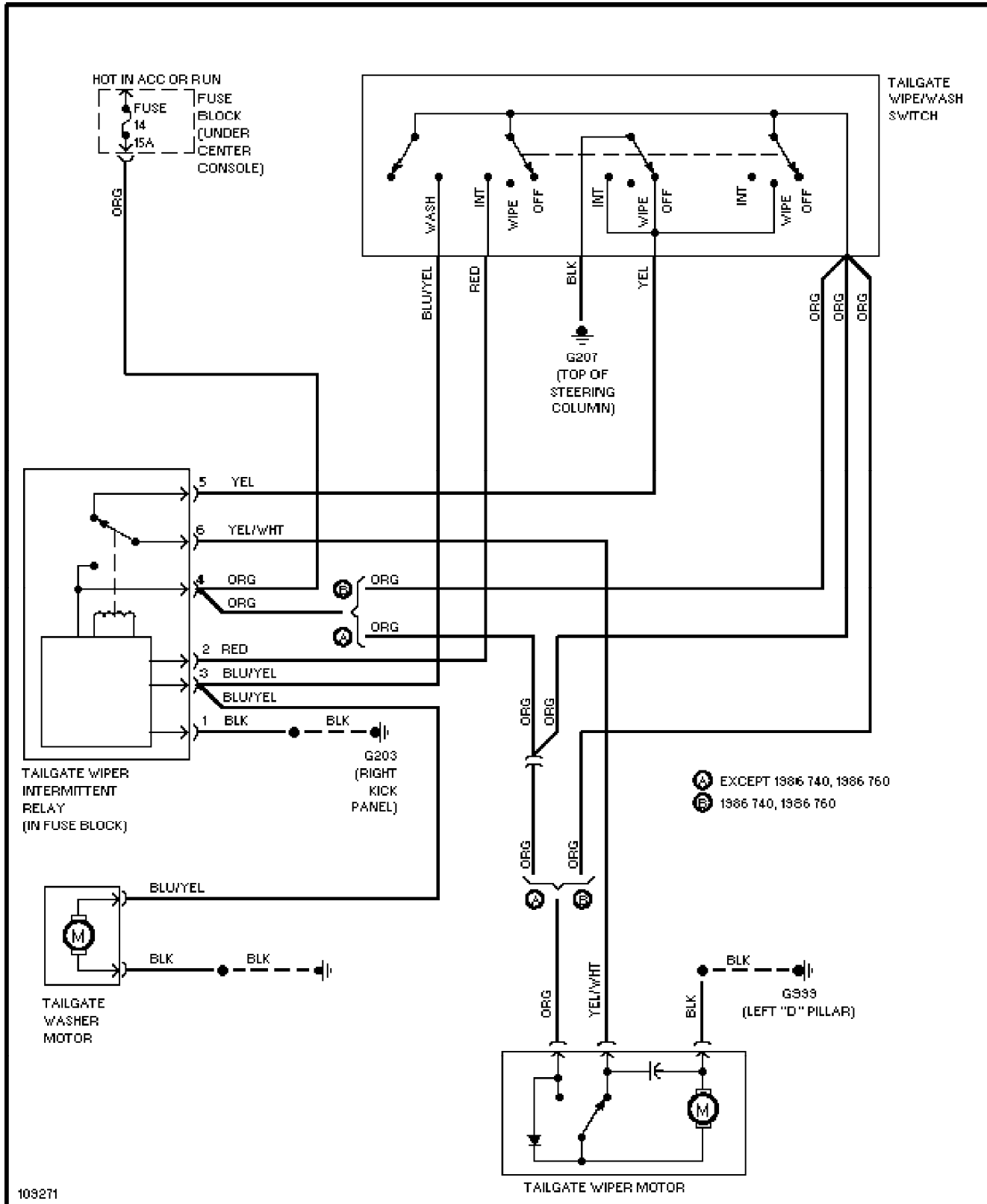
Rear Wiper/Washer Circuit

1992 Volvo 740

For x

Copyright © 1998 Mitchell Repair Information Company, LLC

Friday, July 23, 2004 10:32PM



SYSTEM WIRING DIAGRAMS

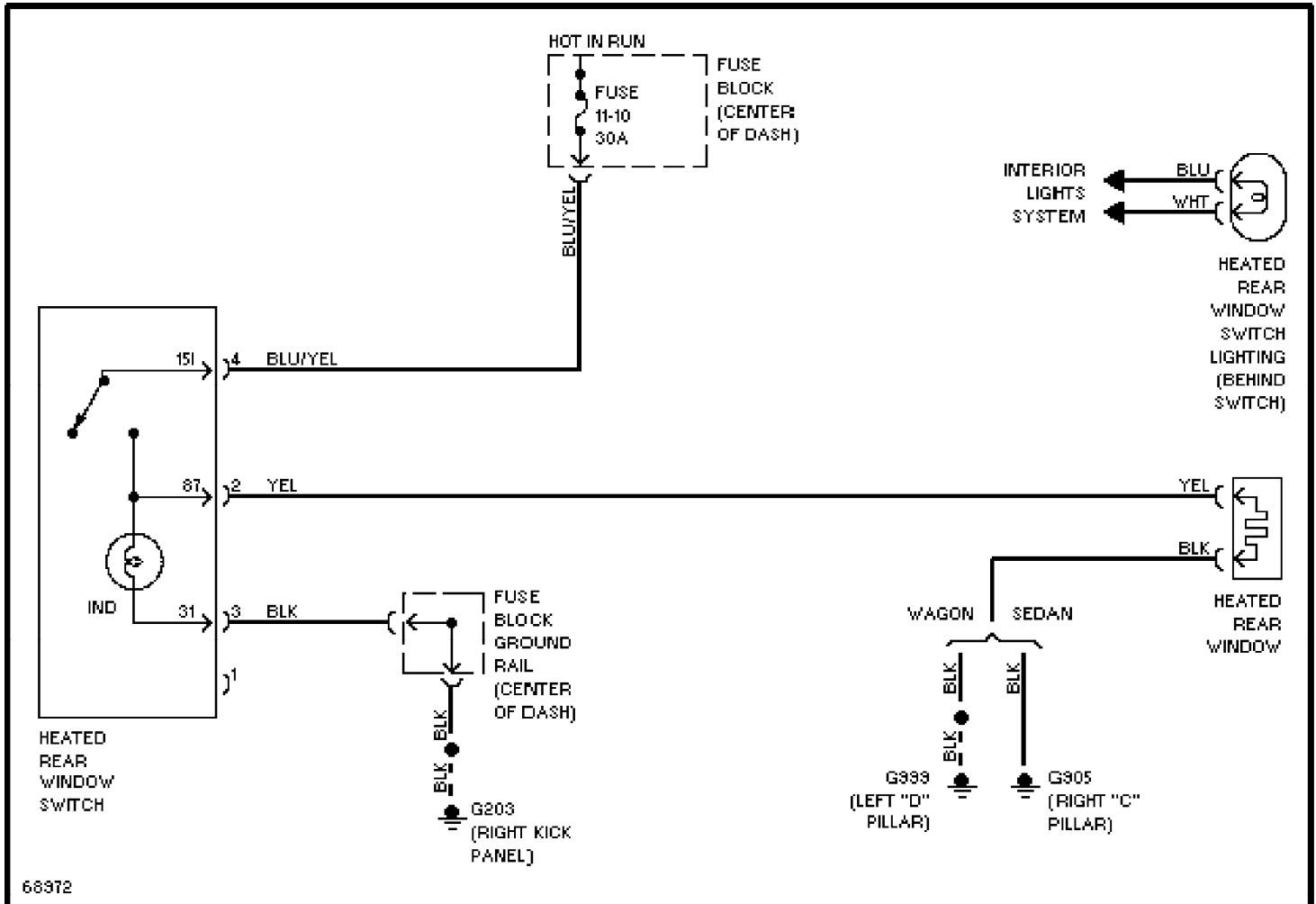
Defogger Circuit

1992 Volvo 740

For x

Copyright © 1998 Mitchell Repair Information Company, LLC

Friday, July 23, 2004 10:31PM



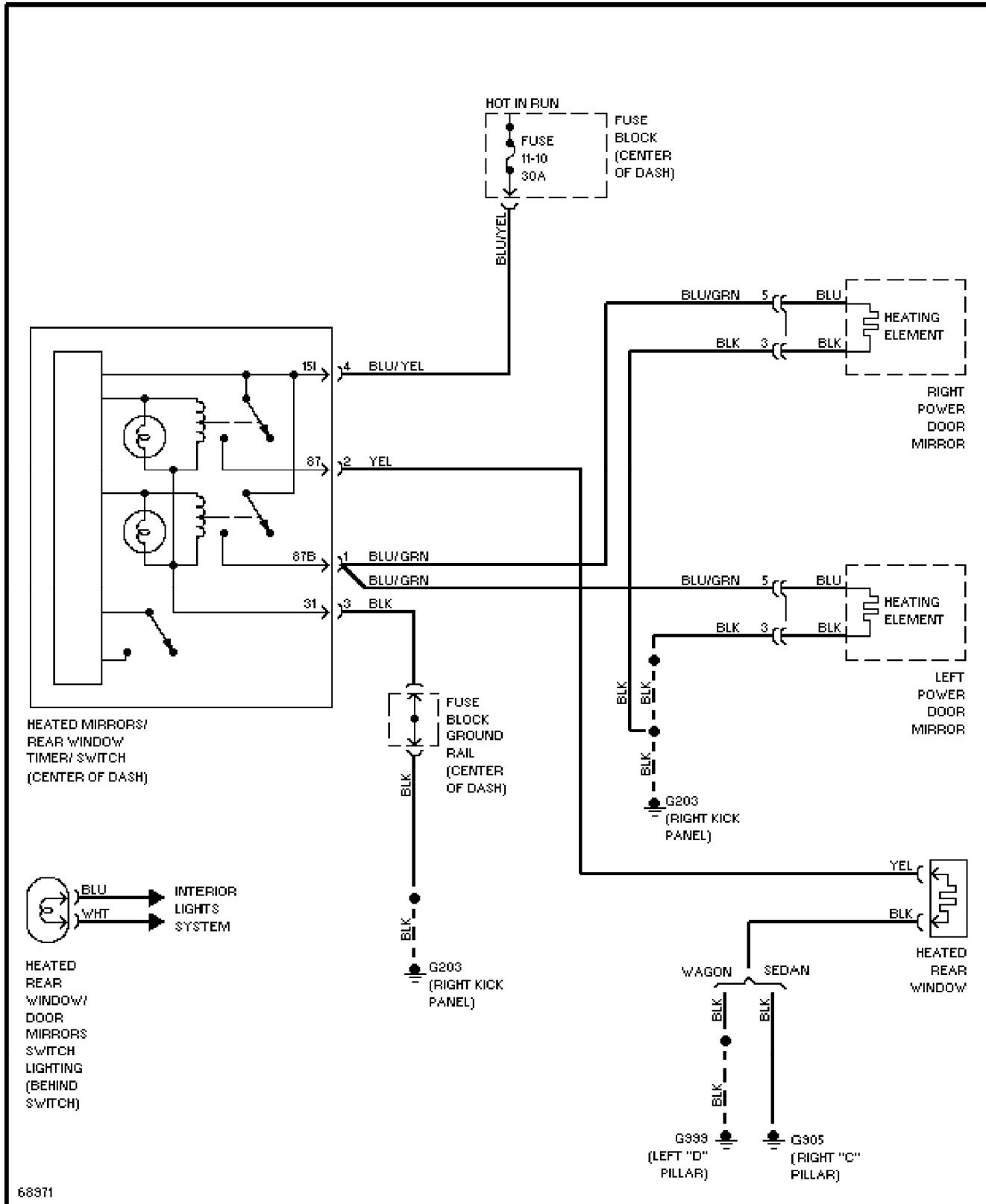
SYSTEM WIRING DIAGRAMS

Rear Defogger & Heated Mirrors Circuit

1992 Volvo 740

For x

Copyright © 1998 Mitchell Repair Information Company, LLC
Friday, July 23, 2004 10:31PM



SYSTEM WIRING DIAGRAMS

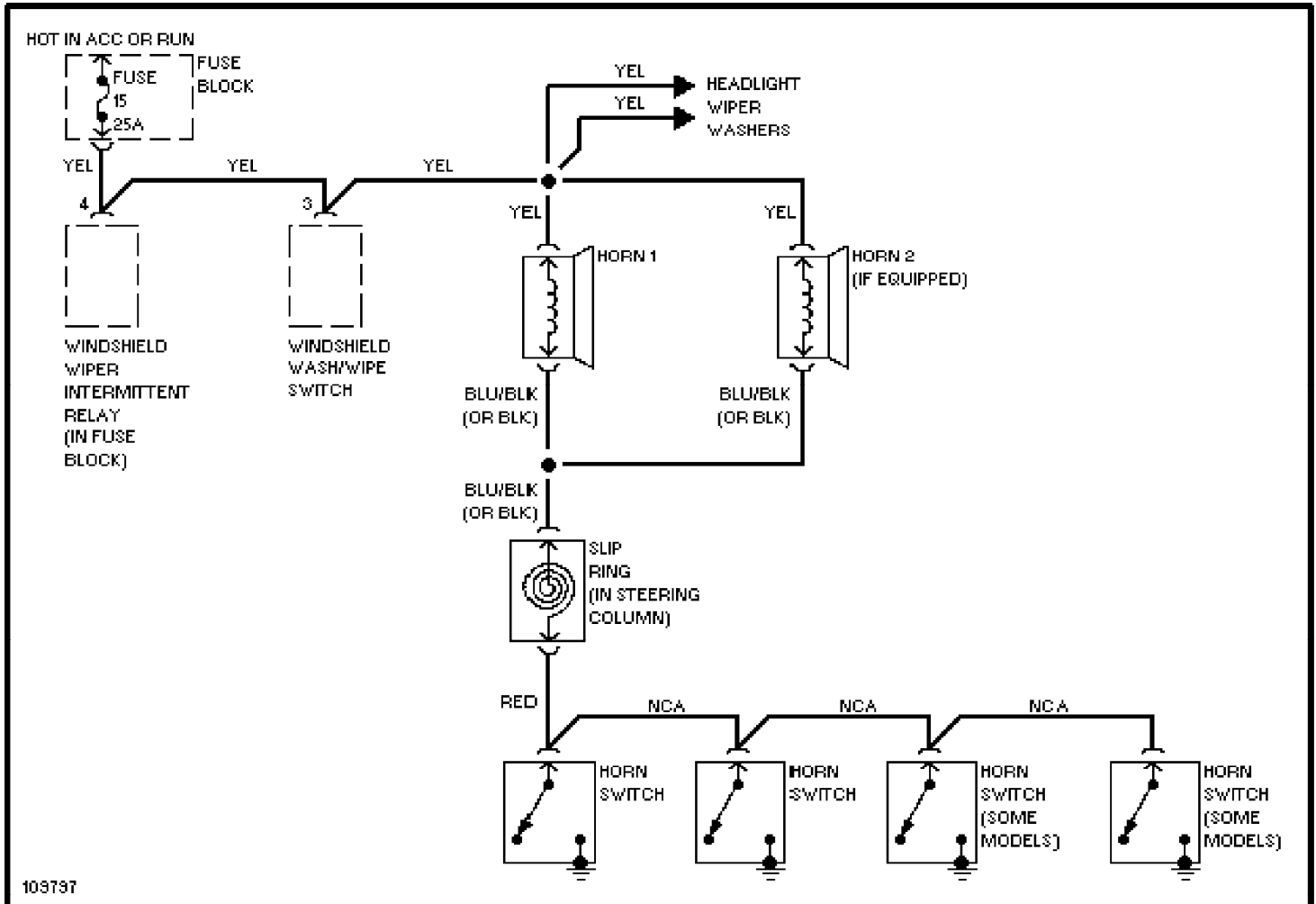
Horn Circuit

1992 Volvo 740

For x

Copyright © 1998 Mitchell Repair Information Company, LLC

Friday, July 23, 2004 10:31PM



SYSTEM WIRING DIAGRAMS

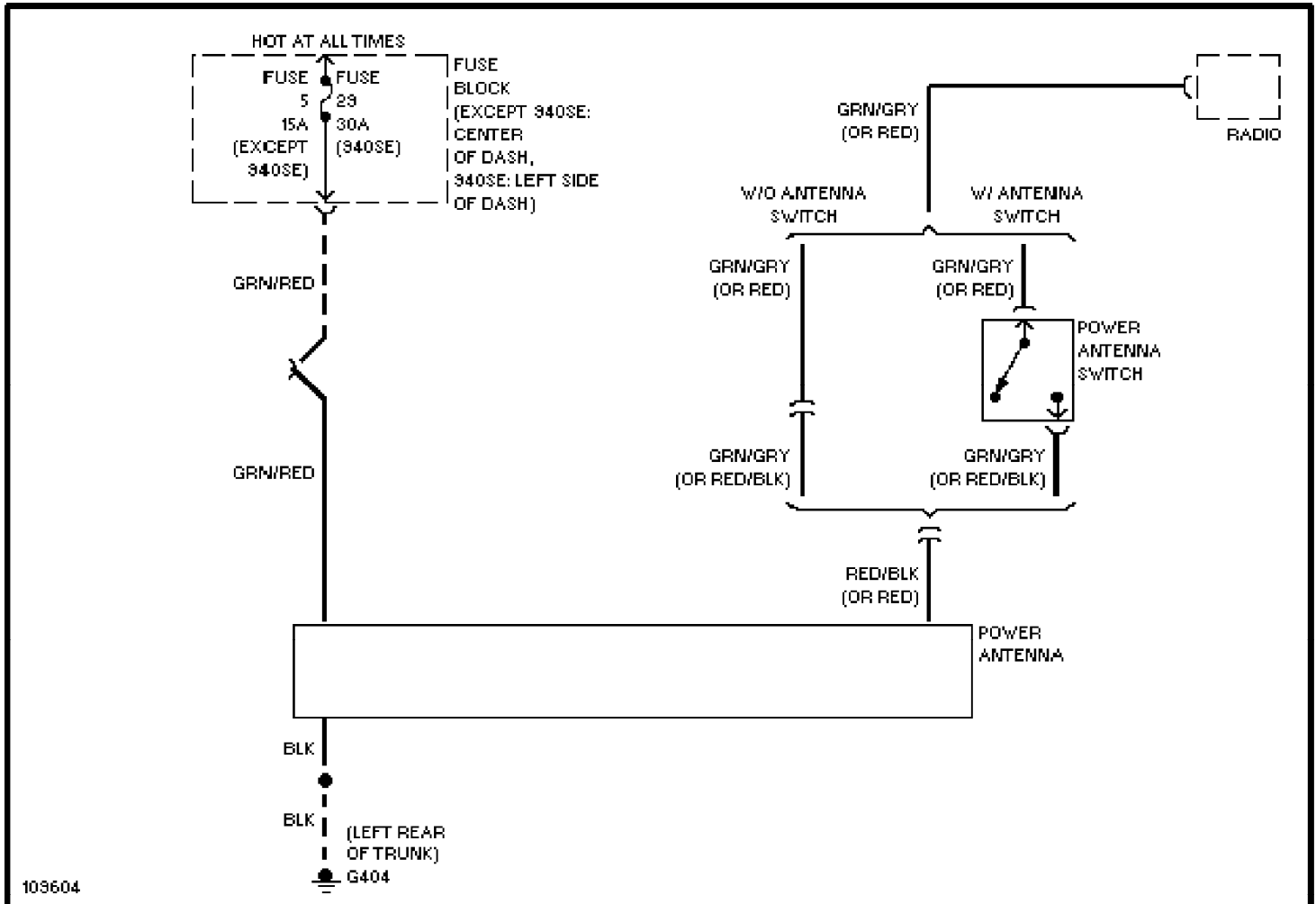
Power Antenna Circuit

1992 Volvo 740

For x

Copyright © 1998 Mitchell Repair Information Company, LLC

Friday, July 23, 2004 10:31PM



SYSTEM WIRING DIAGRAMS

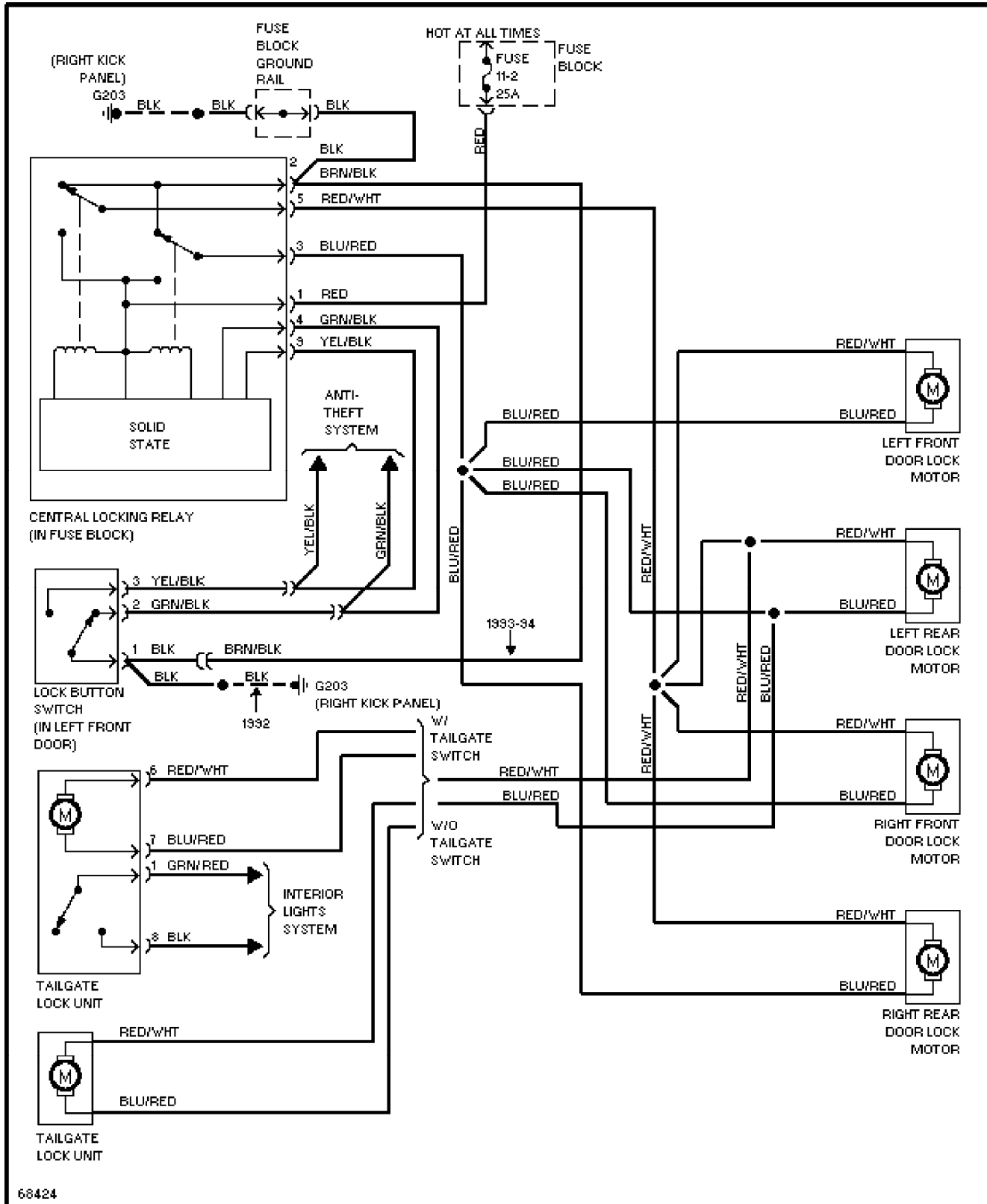
Power Door Lock Circuit

1992 Volvo 740

For x

Copyright © 1998 Mitchell Repair Information Company, LLC

Friday, July 23, 2004 10:31PM



SYSTEM WIRING DIAGRAMS

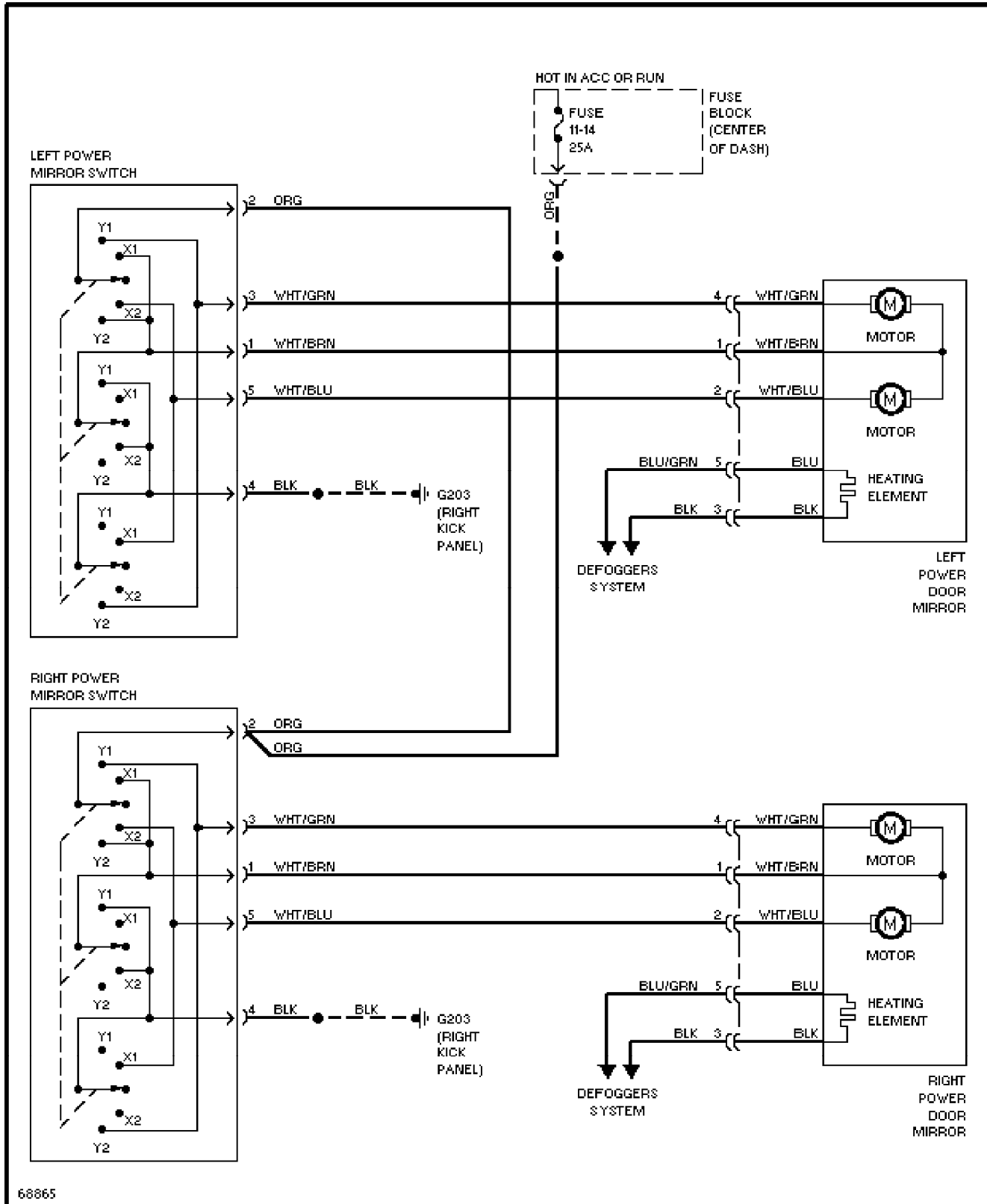
Power Mirror Circuit

1992 Volvo 740

For x

Copyright © 1998 Mitchell Repair Information Company, LLC

Friday, July 23, 2004 10:31PM

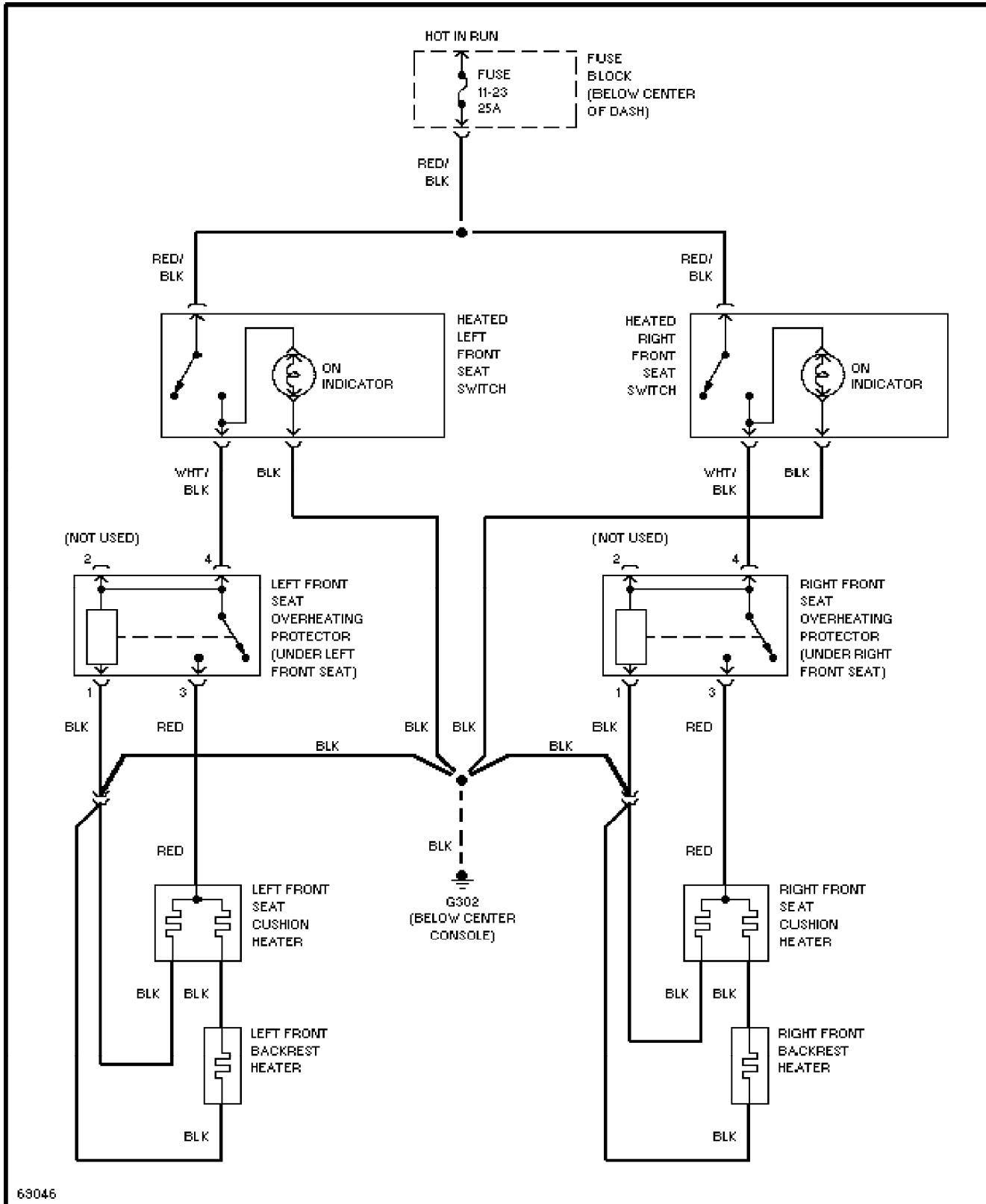


SYSTEM WIRING DIAGRAMS

Heated Seats Circuit, High Output

1992 Volvo 740

For x
Copyright © 1998 Mitchell Repair Information Company, LLC
Friday, July 23, 2004 10:32PM



SYSTEM WIRING DIAGRAMS

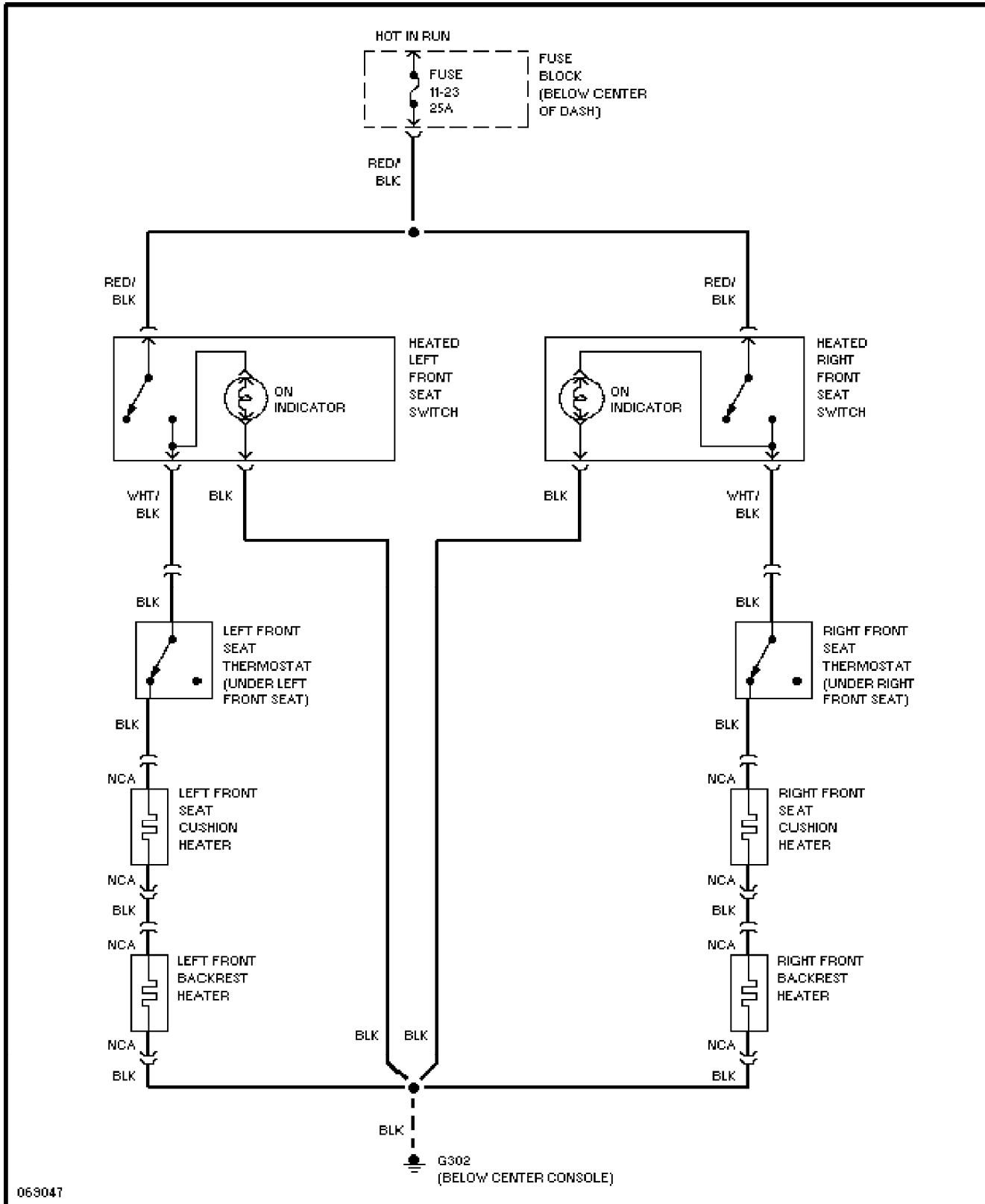
Heated Seats Circuit, Normal Output

1992 Volvo 740

For x

Copyright © 1998 Mitchell Repair Information Company, LLC

Friday, July 23, 2004 10:32PM



SYSTEM WIRING DIAGRAMS

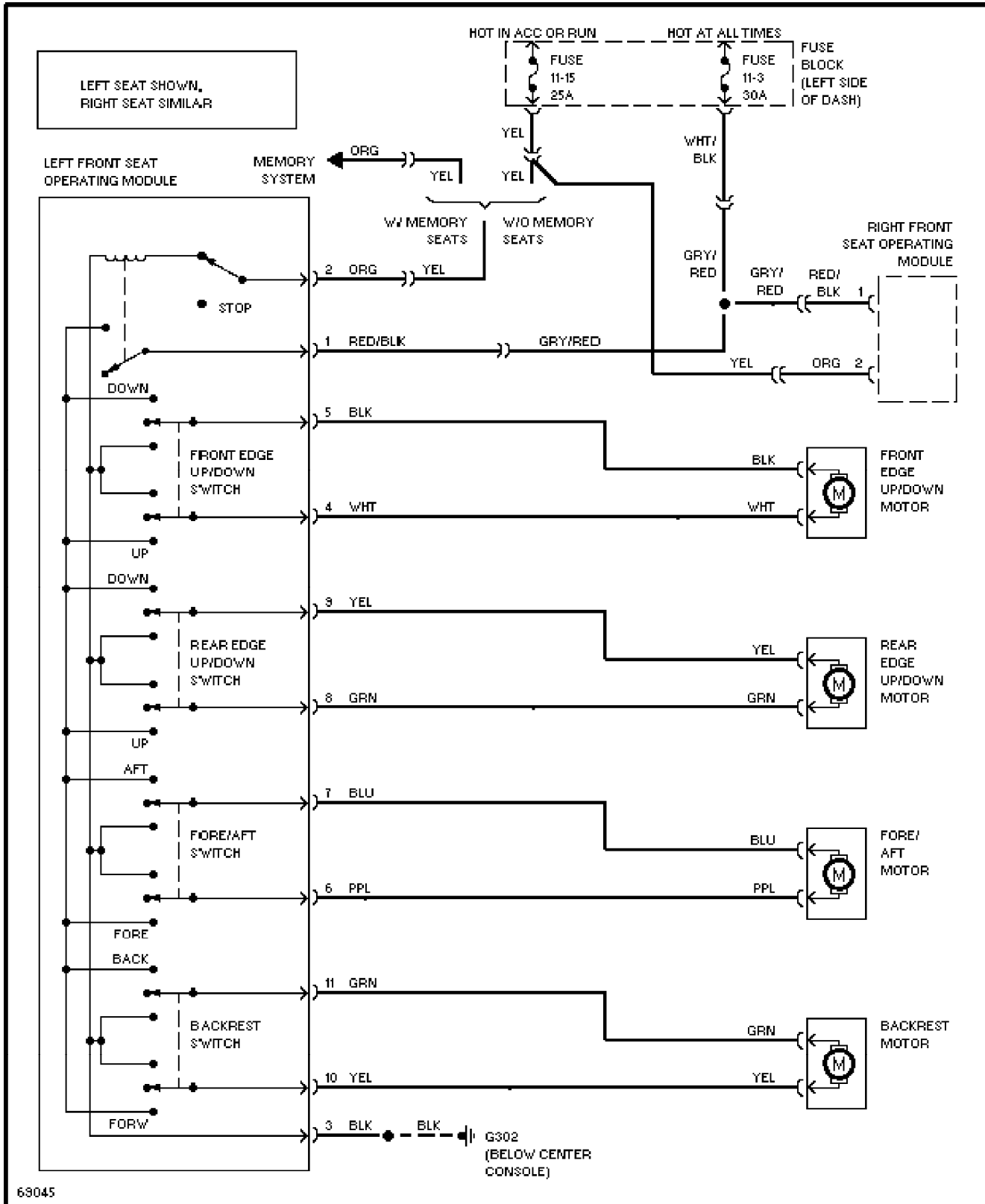
Power Seats Circuit

1992 Volvo 740

For x

Copyright © 1998 Mitchell Repair Information Company, LLC

Friday, July 23, 2004 10:32PM



WIRING DIAGRAMS

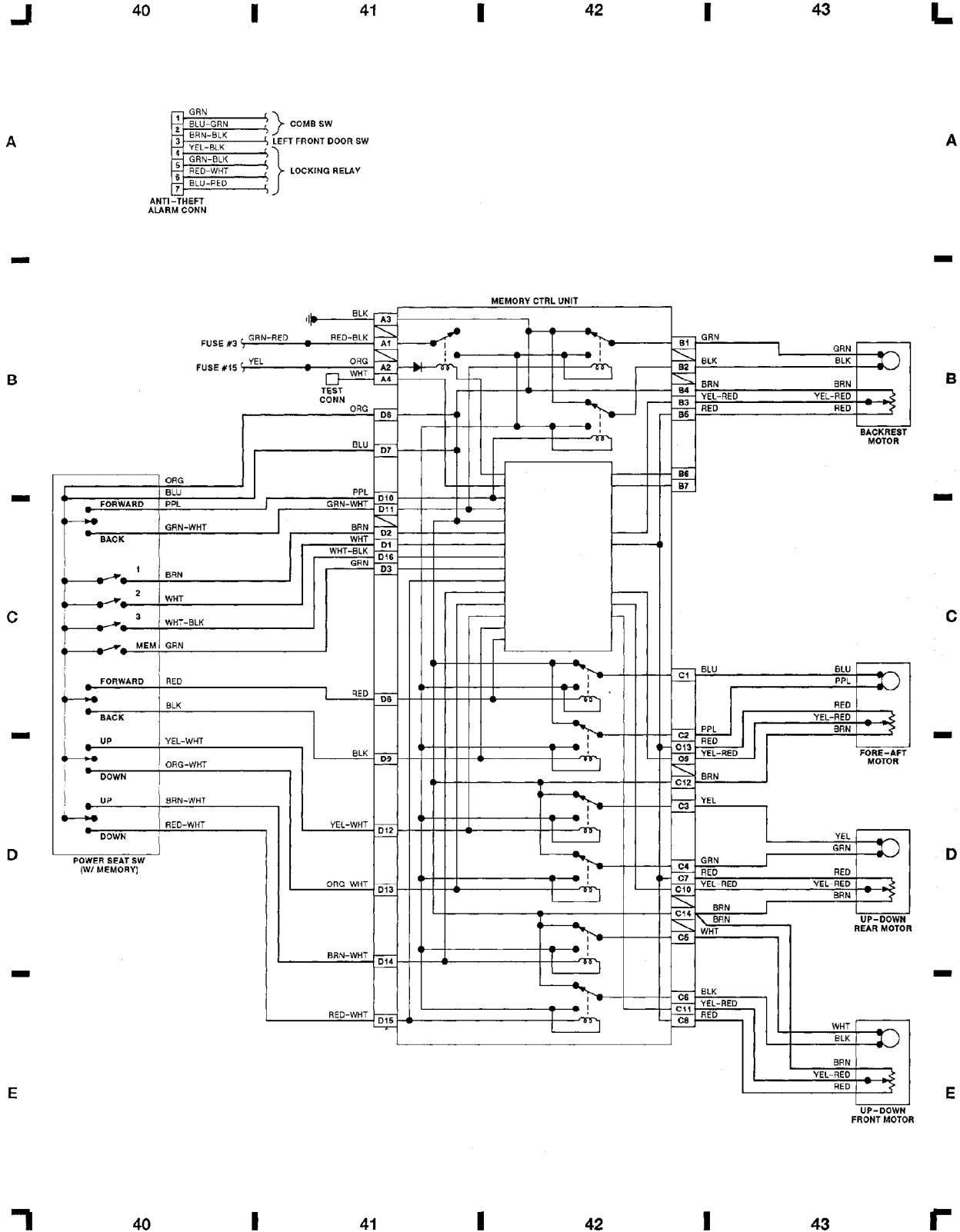
Fig. 11: Memory Control Unit, Pwr Seat Sw (w/ Memory) (Grid 40-43)

1992 Volvo 740

For x

Copyright © 1998 Mitchell Repair Information Company, LLC

Friday, July 23, 2004 10:33PM



WIRING DIAGRAMS

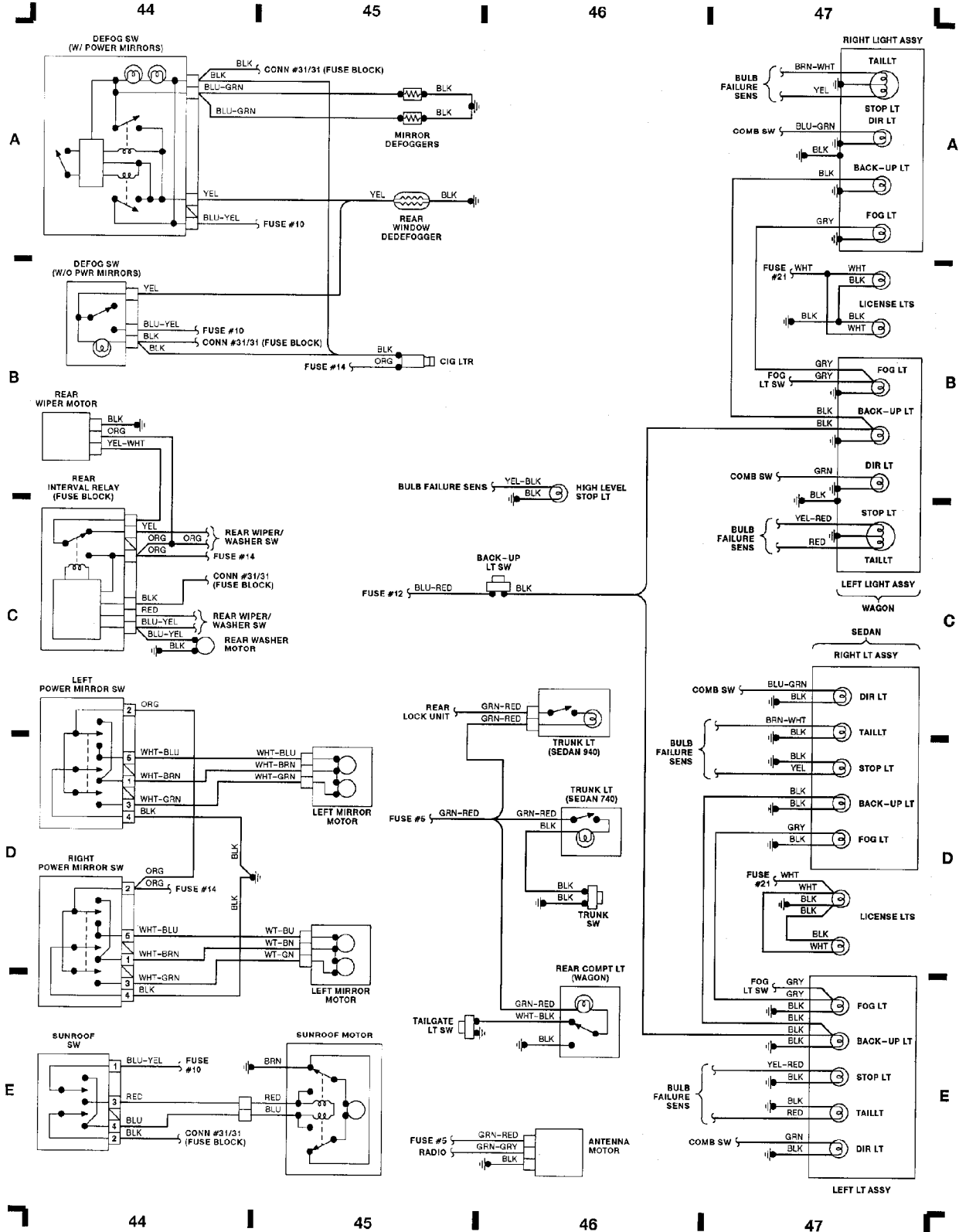
Fig. 12: Defogger Sw, Pwr Mirror/Sunroof Sw, Taillight (Grid 44-47)

1992 Volvo 740

For x

Copyright © 1998 Mitchell Repair Information Company, LLC

Friday, July 23, 2004 10:33PM



WIRING DIAGRAMS

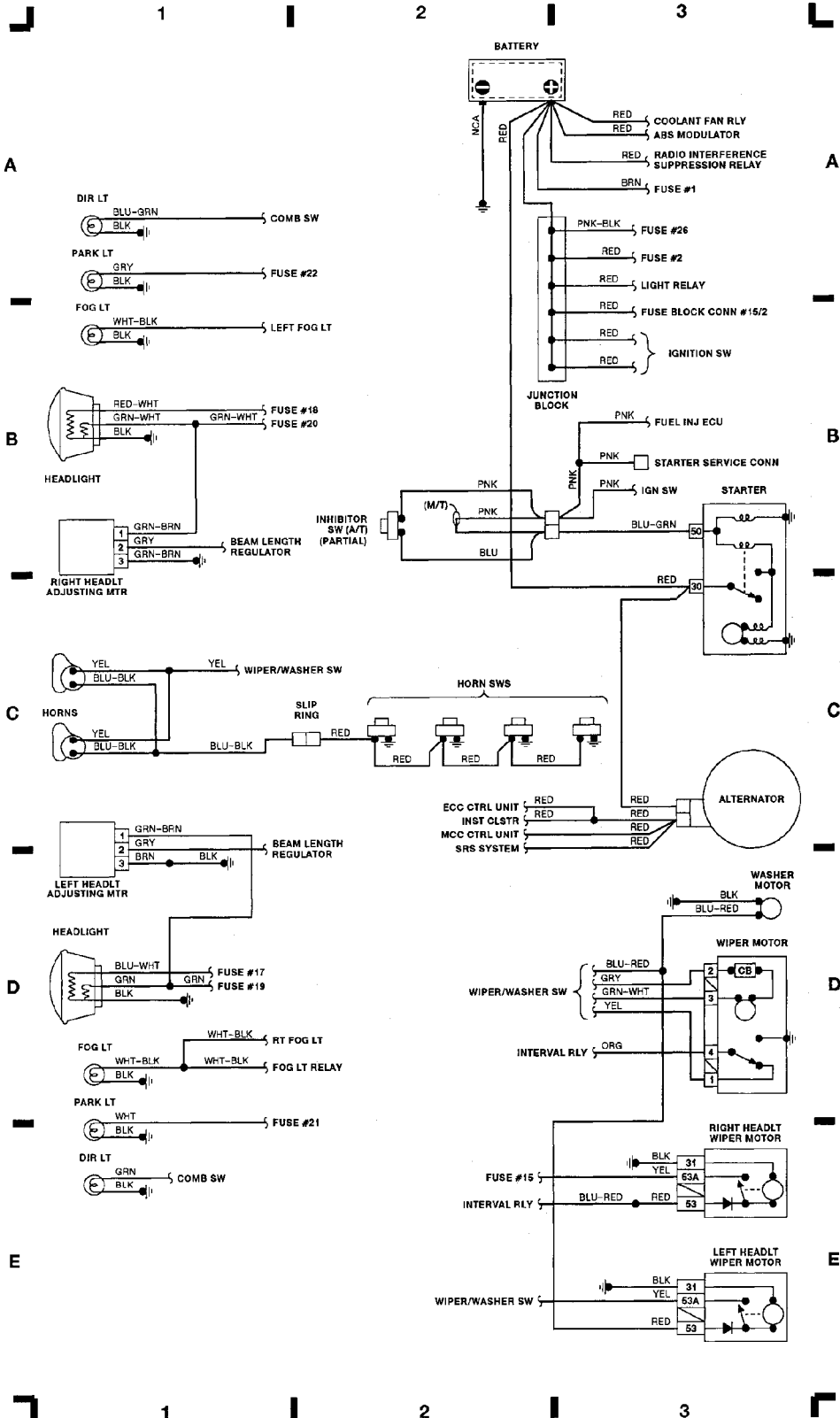
Fig. 1: Engine Compartment, Headlights (Grid 1-3)

1992 Volvo 740

For x
Copyright © 1998 Mitchell Repair Information Company, LLC
Friday, July 23, 2004 10:33PM

COMPONENT LOCATOR:

A/C SYS (ECC)	C-E 20-23
A/C SYS (MCC)	E-C 20-23
ABS SYS	A-C 28-31
ALTERNATOR	C 3
ANTENNA MTR	E 45
ANTI-THEFT ALARM CONN	A 40
BACK-UP LT SW	C 45-46
BATTERY	A 2
BEAM LENGTH REGULATOR	A 19
BULB FAILURE SENS	E 24
CLG LTR	B 45
COMB SW	A-B 24
COOLANT FAN RLY	A 15
COURTESY LTS	C 24
CRUISE CTRL SYS	C-D 28-29
DEFOG SW	A-D 44
DIAGNOSTIC CONN	D 11
DIAGNOSTIC CONN (LH 2.4 TURBO)	D 5
DIAGNOSTIC CONN (REGINA)	D 13
DOOR LTS	D 24
DOOR SWS	C-D 25-26
EZK IGN SYS ECU	D-E 8
(LH 2.4 TURBO)	C-D 7
EZK IGN SYS ECU (LH 2.4)	C-D 15
FLASHER RLY	E 28
FOG LT RLY	D-E 28
FOG LT SW	D-E 28
FUEL INJ ECU (LH 2.4 TURBO)	A-C 8
FUEL INJ ECU (LH 2.4)	A-C 12
FUEL INJ ECU (REGINA)	C 11
FUEL PUMP (LH 2.4 TURBO)	D 12
FUEL PUMP (LH 2.4)	B 11
FUEL PUMP (REGINA)	C 4
FUEL SYS RLY (LH 2.4 TURBO)	C 12
FUEL SYS RLY (LH 2.4)	B-D 18-19
FUEL SYS RLY (REGINA)	E 25
FUSE & RLY BLOCK	E 3
GLOVE BOX LT	B-C 38-37
HEADLT WIPER MTR	A 39-39
HEATED SEAT SYS (DUAL)	B-C 46
HEATED SEAT SYS (SINGLE)	C 9
HIGH LEVEL STOP LT	E 15
IGN COIL (LH 2.4 TURBO)	E 16
IGN COIL (LH 2.4)	A-E 32-33
IGN COIL (REGINA)	D 27
IGN SW	A-B 2-3
INHIBITOR SW (A/T)	B-D 35
INST CLSTR	C-D 1
INTERVAL RLY	A-B 27
JUNCTION BLOCK	E 38
LEFT INT PWR SEAT SW (W/O MEMORY)	B-E 41-42
LEFT HEADLT ADJUSTING MTR	C 7
LIGHT RLY	C 15
LOOKING RLY	A-B 20
MEMORY CTRL UNIT	D-E 36-35
O2 SENS (LH 2.4 TURBO)	D-E 36-37
O2 SENS (LH 2.4)	C 20
O2 SENS (REGINA)	C-D 11
OVERDRIVE RLY	B 15
PANEL LTS	D 36
POWER MIRROR	A 37-38
POWER WDG SYS	A 37
PWR WDR/HEATED SEAT RLY	B-C 44
RADIO INTERFERENCE SUPPRESSION RLY (LH 2.4 TURBO)	A-B 36
RADIO INTERFERENCE SUPPRESSION RLY (LH 2.4)	E 31
RADIO INTERFERENCE SUPPRESSION RLY (REGINA)	E 31
REAR LOCK UNIT	C 95
REAR SEAT BELT LT	C-D 30-31
REAR SEAT MTR LT	B-C 3
REAR WIPER SYS	D 28
RIGHT HEADLT ADJUSTING MTR	E 44
SEAT BELT LOCK LT	B 28
SHIFT LOCK RLY	C-E 46
SHIFT LOCK SOL	E 26
SPEED SENS	D 3
SRS SYS	D 3
STARTER	C 27
STOR LT SW	
SUNROOF SW	
TRANSIENT SURGE PROTECTOR	
TRUNK LT	
VANITY MIRROR LTS	
WASHER MTR	
WIPER MTR	
WIPER/WASHER SW	



WIRING DIAGRAMS

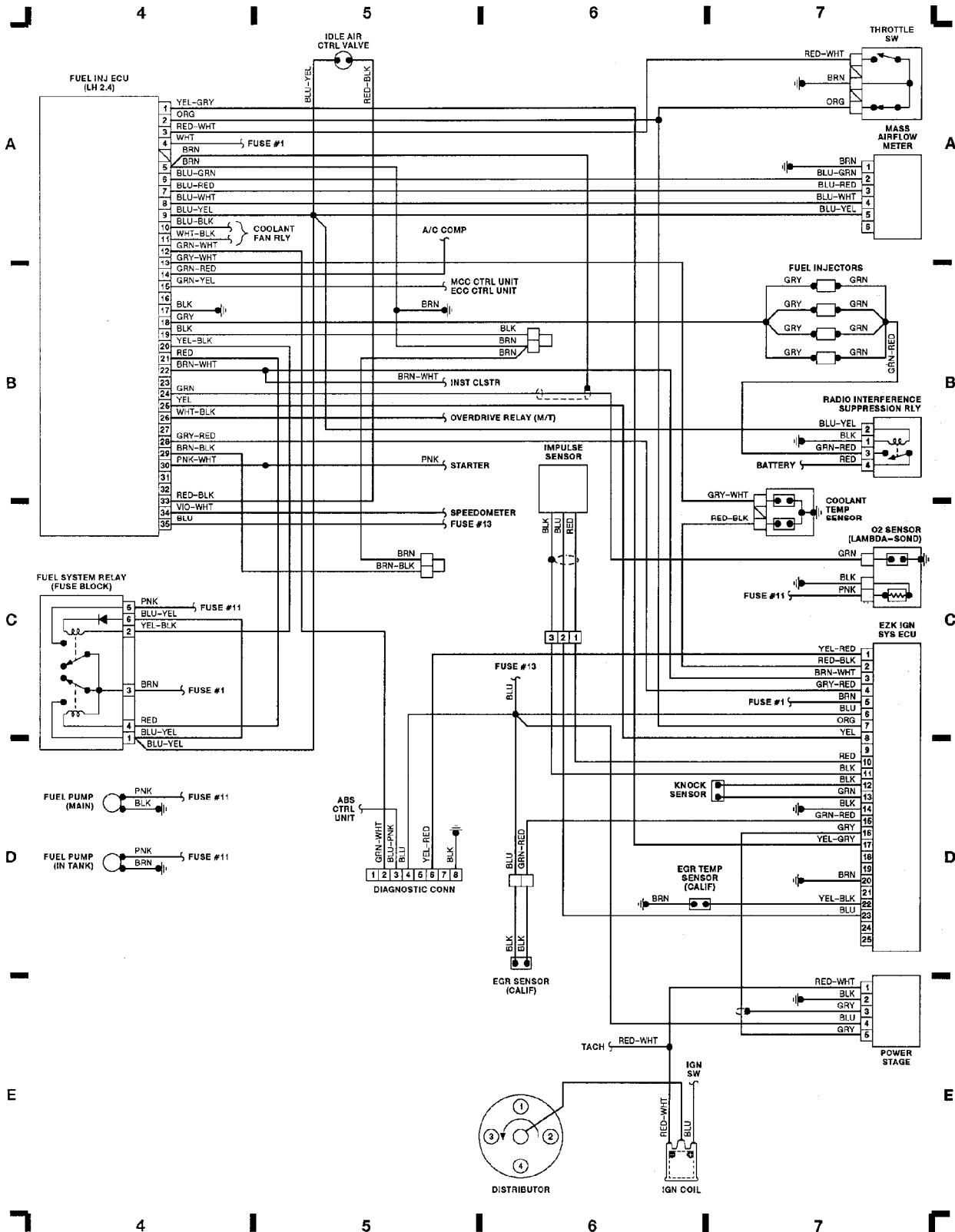
Fig. 2: Fuel Injector ECU (LH 2.4), EZK Ignition System (Grid 4-7)

1992 Volvo 740

For x

Copyright © 1998 Mitchell Repair Information Company, LLC

Friday, July 23, 2004 10:33PM



WIRING DIAGRAMS

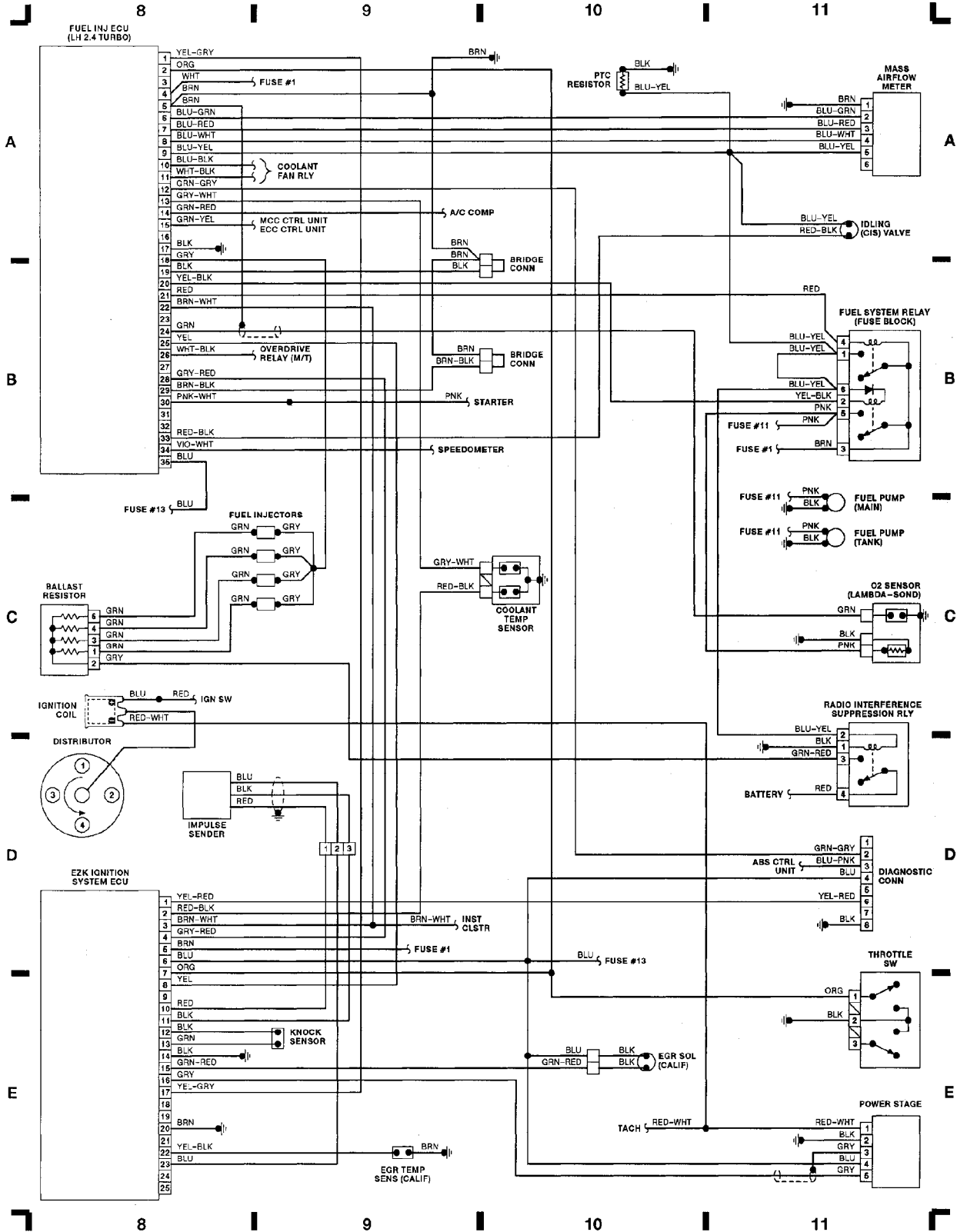
Fig. 3: Fuel Injector ECU (LH 2.4 TURBO) (Grid 8-11)

1992 Volvo 740

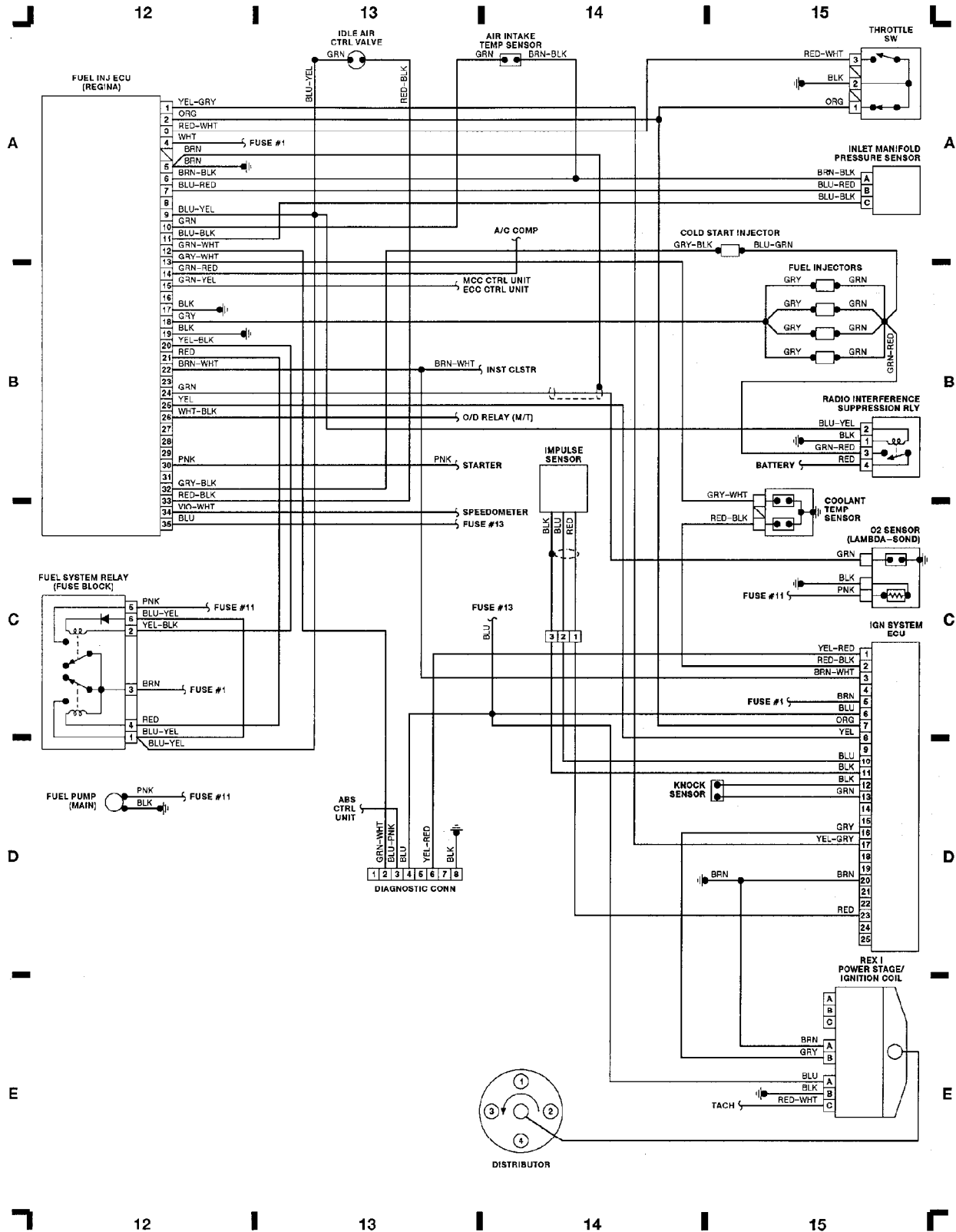
For x

Copyright © 1998 Mitchell Repair Information Company, LLC

Friday, July 23, 2004 10:33PM



WIRING DIAGRAMS
Fig. 4: Fuel Injector ECU (REGINA) (Grid 12-15)
 1992 Volvo 740
 For x
 Copyright © 1998 Mitchell Repair Information Company, LLC
 Friday, July 23, 2004 10:33PM



WIRING DIAGRAMS

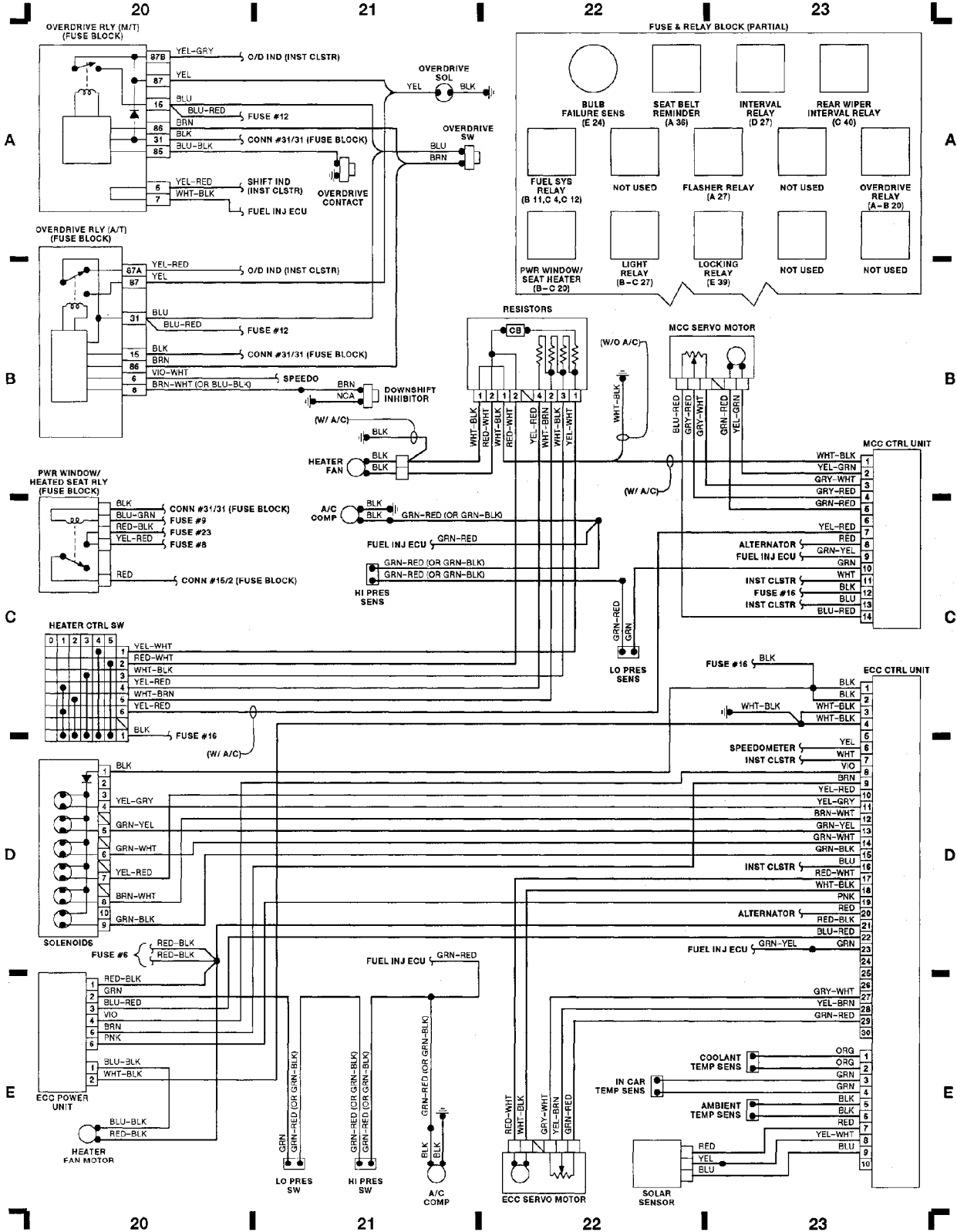
Fig. 6: ECC Control Unit, MCC Control Unit (Grid 20-23)

1992 Volvo 740

For x

Copyright © 1998 Mitchell Repair Information Company, LLC

Friday, July 23, 2004 10:33PM



WIRING DIAGRAMS

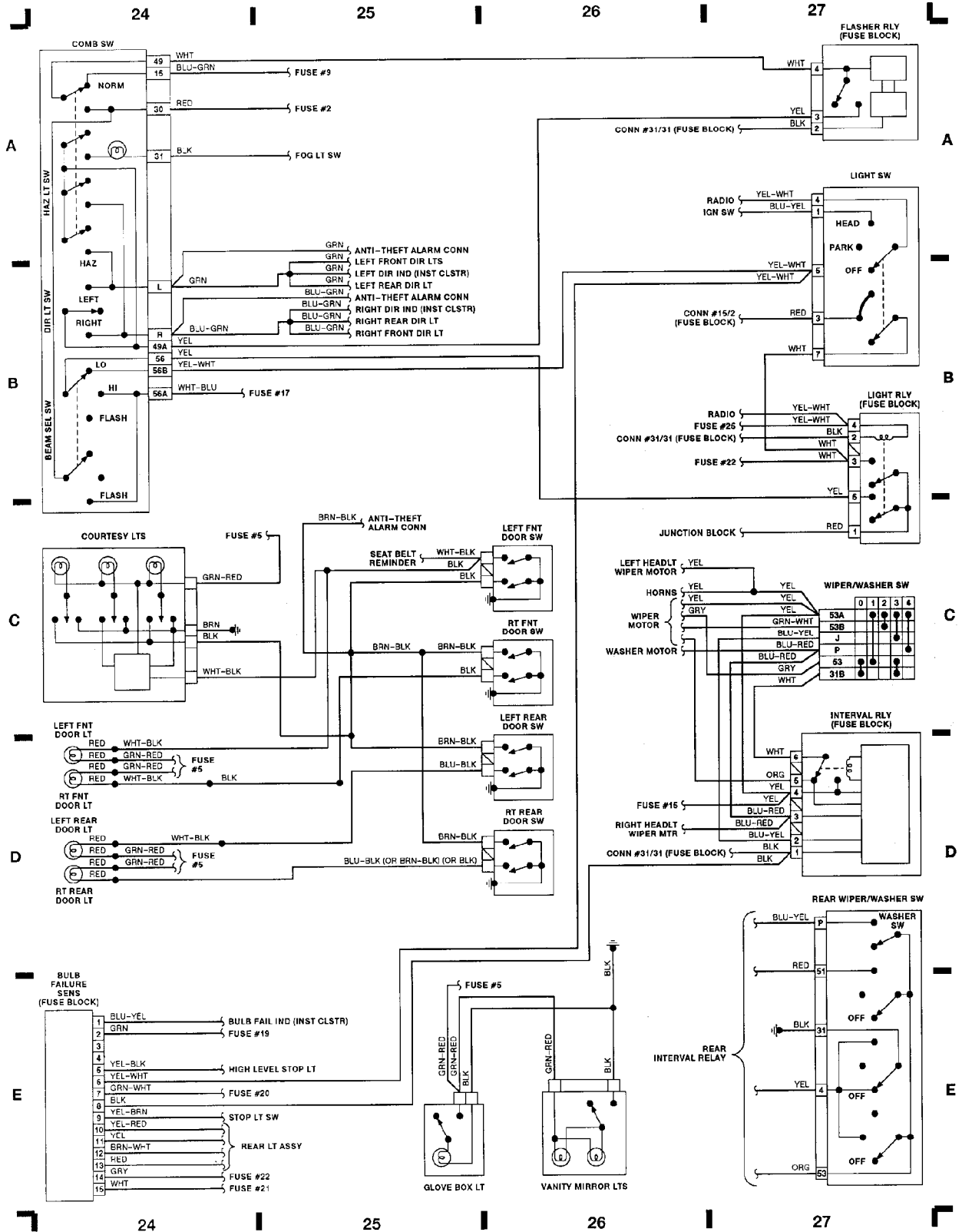
Fig. 7: Combo Switch, Courtesy Lights, Light Relay (Grid 24-27)

1992 Volvo 740

For x

Copyright © 1998 Mitchell Repair Information Company, LLC

Friday, July 23, 2004 10:33PM



WIRING DIAGRAMS

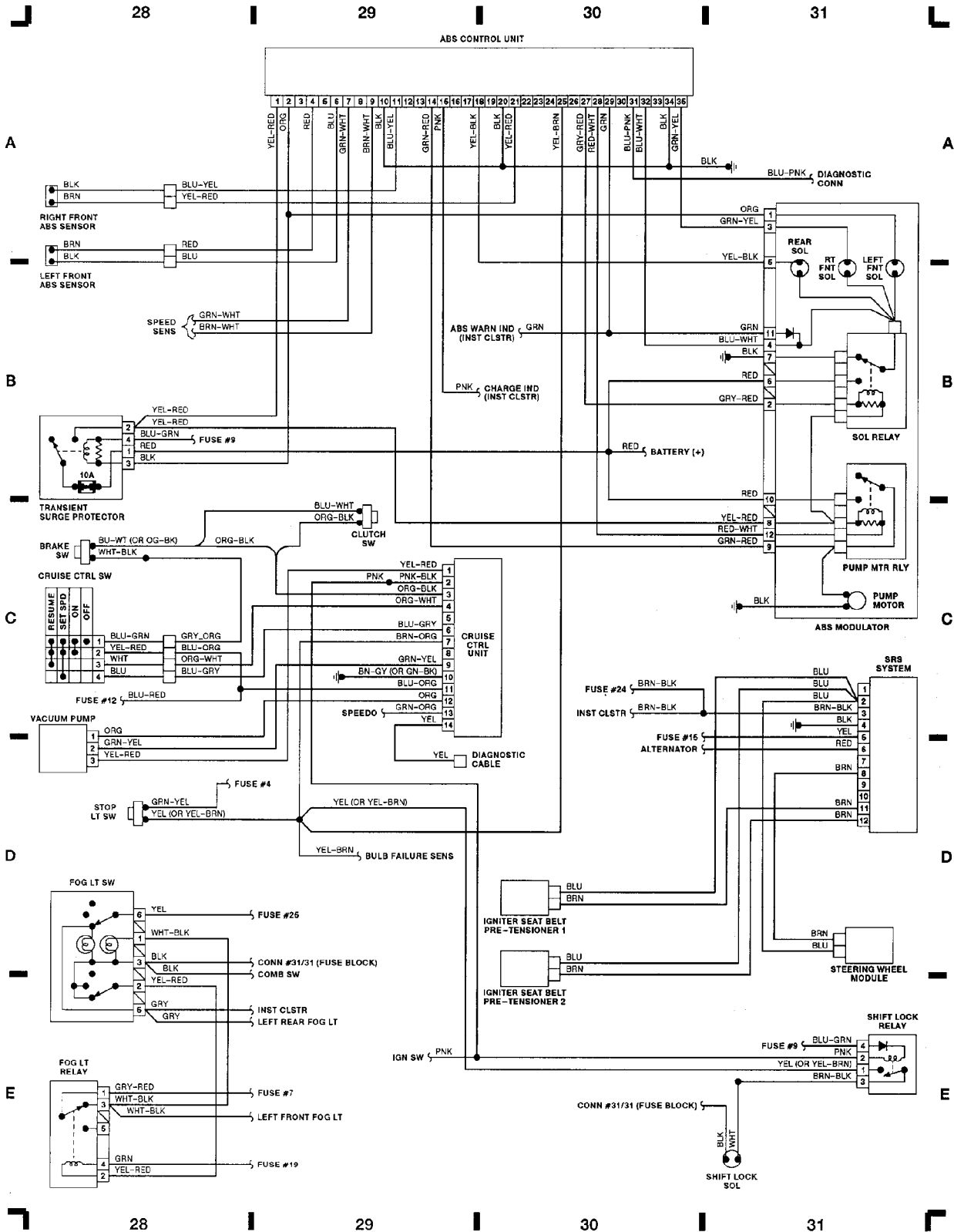
Fig. 8: ABS Control Unit, SRS System, Fog Light Sw (Grid 28-31)

1992 Volvo 740

For x

Copyright © 1998 Mitchell Repair Information Company, LLC

Friday, July 23, 2004 10:33PM



WIRING DIAGRAMS

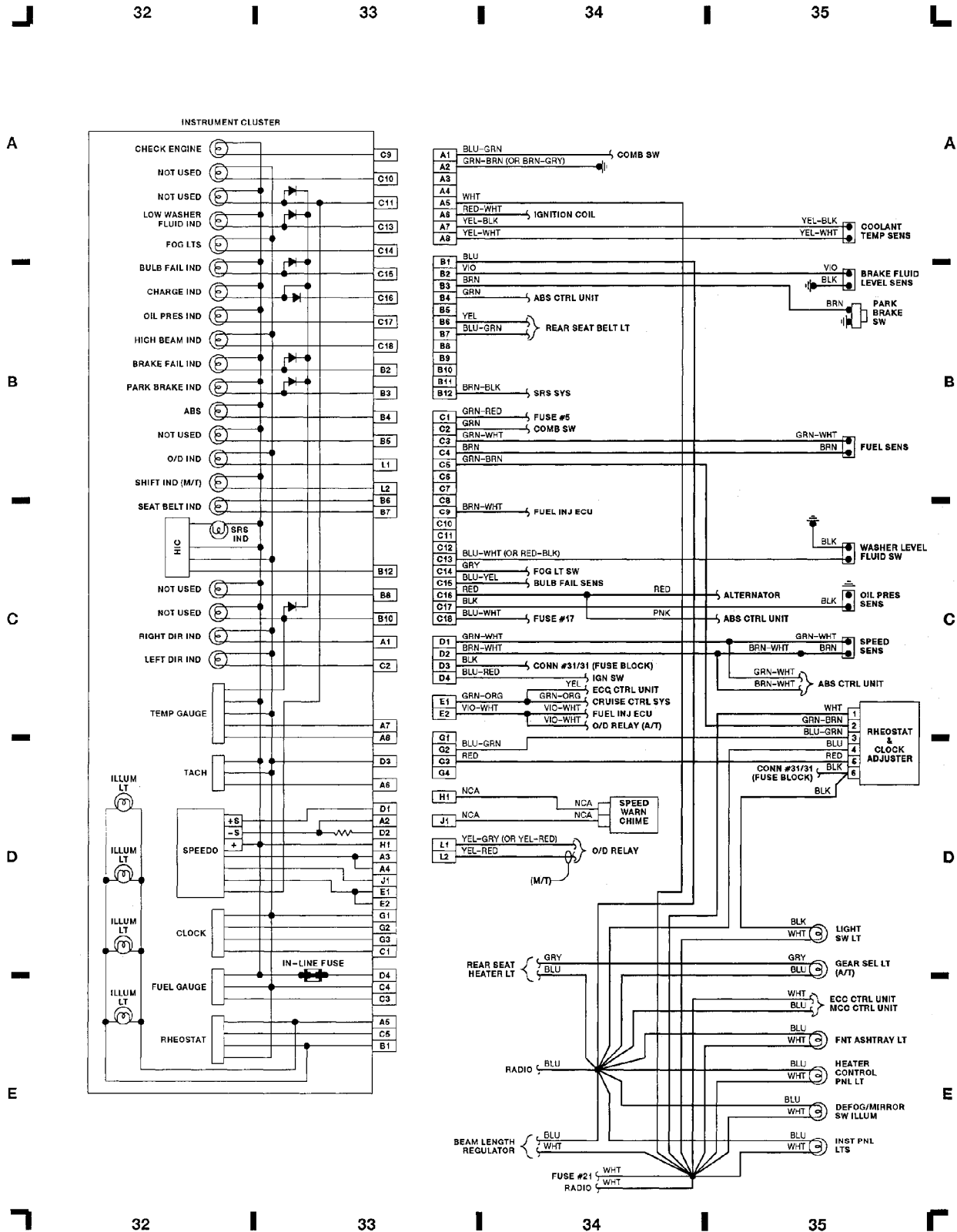
Fig. 9: Instrument Cluster, Panel Lights (Grid 32-35)

1992 Volvo 740

For x

Copyright © 1998 Mitchell Repair Information Company, LLC

Friday, July 23, 2004 10:33PM



WIRING DIAGRAMS

Fig. 10: Power Window/Lock Sw, Seat (w/o Memory) Sw (Grid 36-39)

1992 Volvo 740

For x

Copyright © 1998 Mitchell Repair Information Company, LLC

Friday, July 23, 2004 10:33PM

