

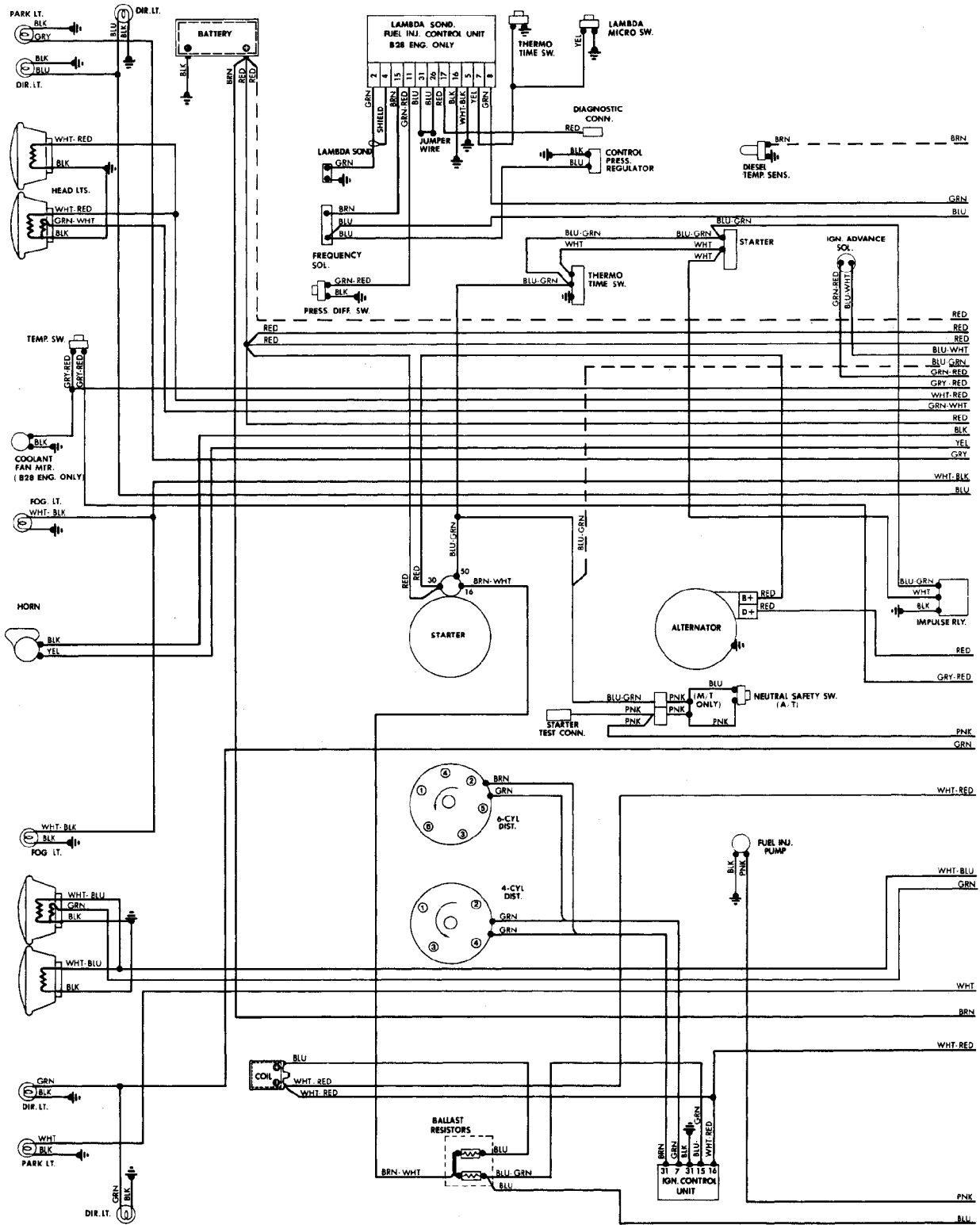
WIRING DIAGRAMS

Fig. 1: Engine Compartment

1984 Volvo 760

For x
 Copyright © 1998 Mitchell Repair Information Company, LLC
 Saturday, July 17, 2004 04:37PM

ENGINE COMPARTMENT



WIRING DIAGRAMS

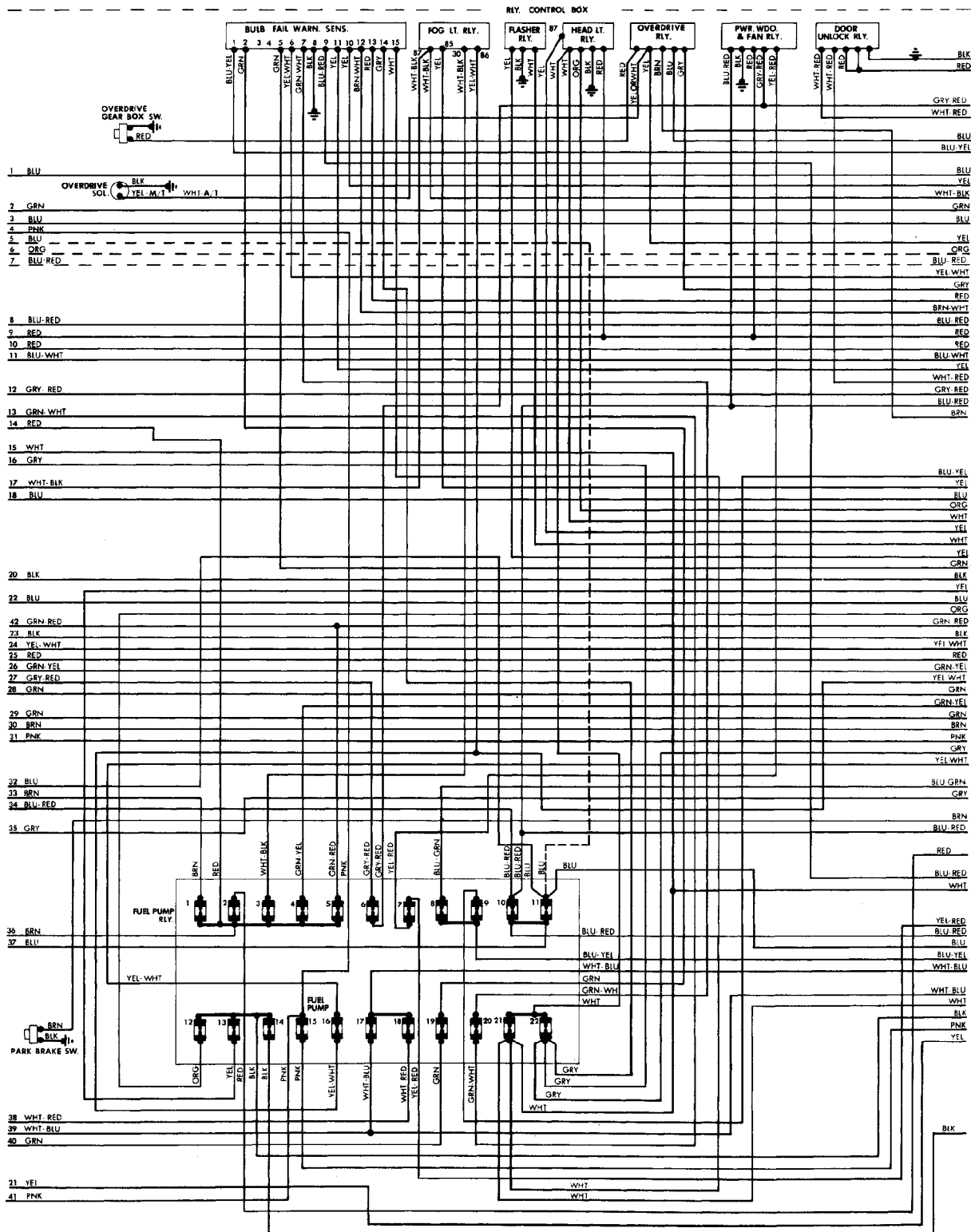
Fig. 3: Fuse Block & Underdash

1984 Volvo 760

For x

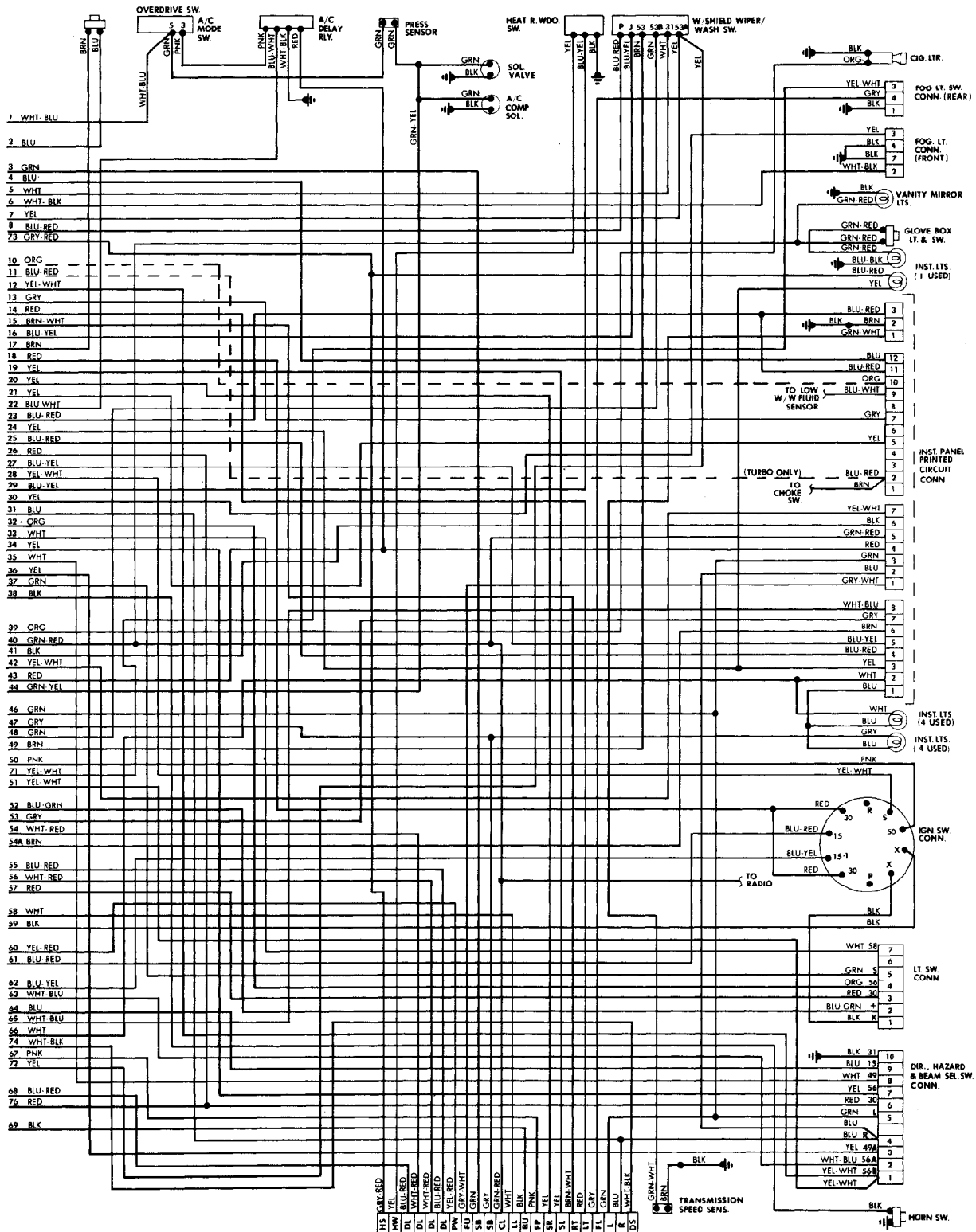
Copyright © 1998 Mitchell Repair Information Company, LLC
Saturday, July 17, 2004 04:37PM

FUSE BLOCK & UNDERDASH



WIRING DIAGRAMS
Fig. 5: Underdash (Cont.) & Instrument Panel
 1984 Volvo 760
 For x
 Copyright © 1998 Mitchell Repair Information Company, LLC
 Saturday, July 17, 2004 04:38PM

INSTRUMENT PANEL & UNDERDASH



WIRING DIAGRAMS

Fig. 2: Engine Compartment (Cont.)

1984 Volvo 760

For x

Copyright © 1998 Mitchell Repair Information Company, LLC
Saturday, July 17, 2004 04:37PM

ENGINE COMPARTMENT

