

SYSTEM WIRING DIAGRAMS

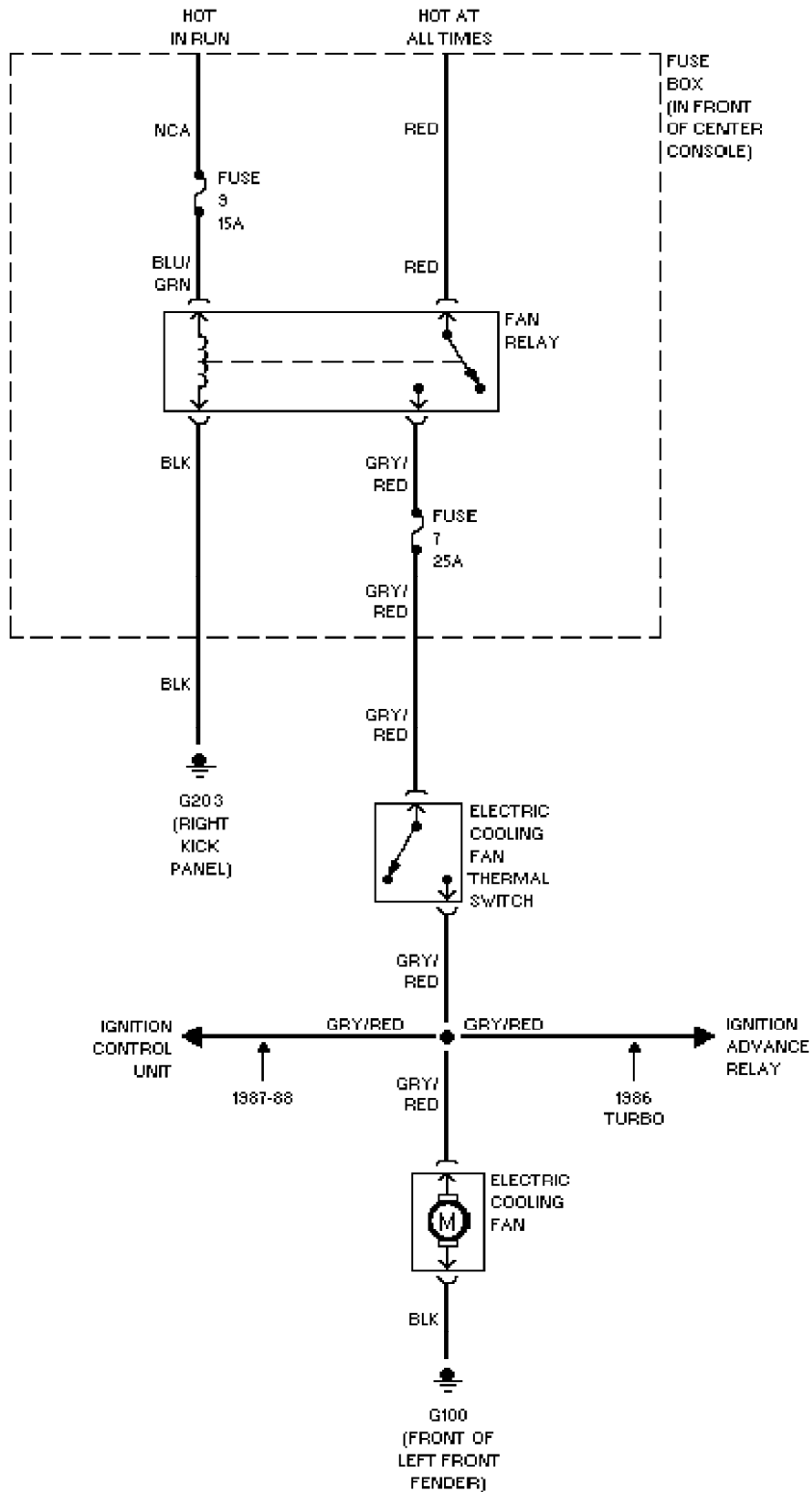
Cooling Fan Circuit

1986 Volvo 760

For x

Copyright © 1998 Mitchell Repair Information Company, LLC

Friday, July 23, 2004 07:55PM



SYSTEM WIRING DIAGRAMS

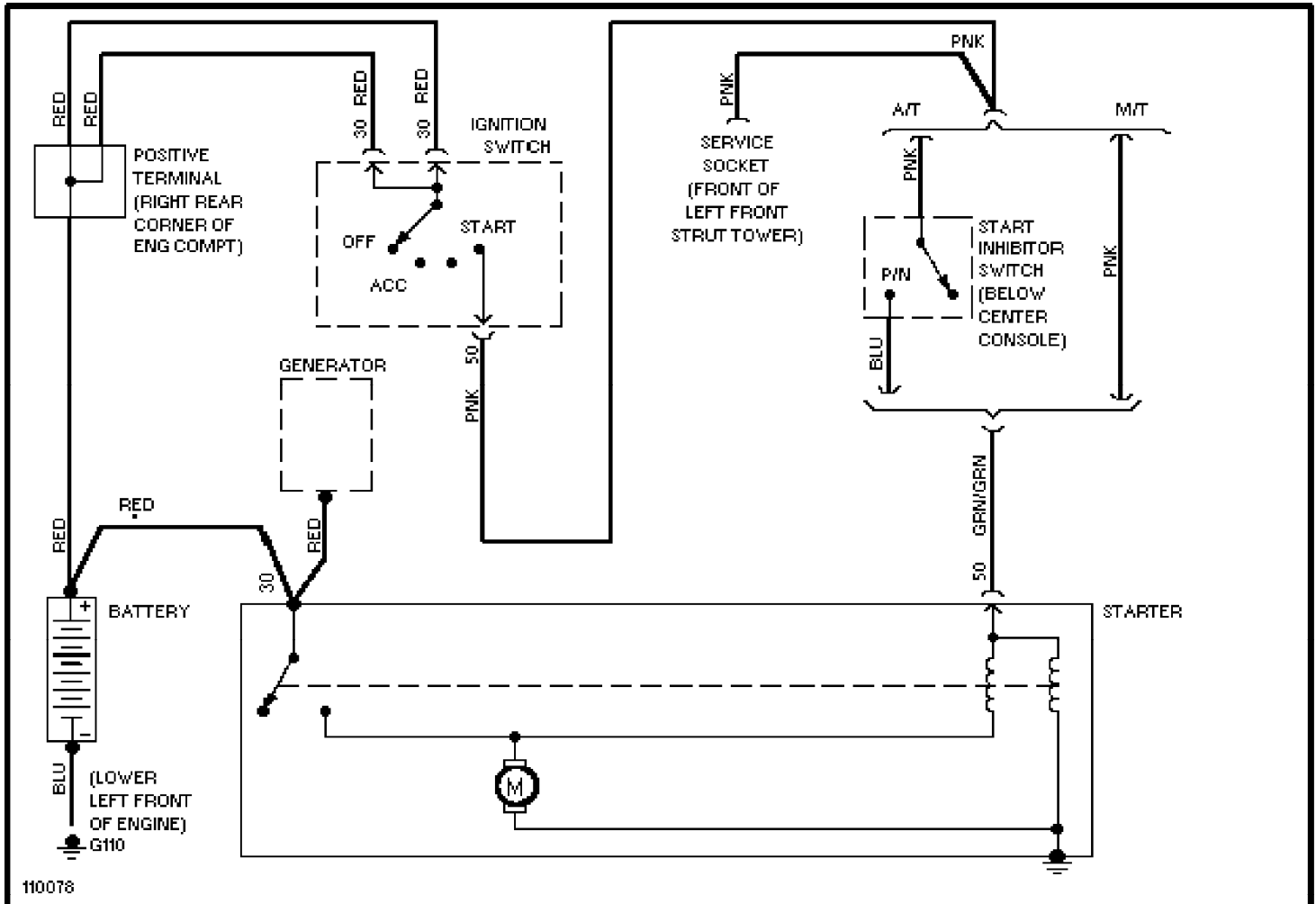
Starting Circuit

1986 Volvo 760

For x

Copyright © 1998 Mitchell Repair Information Company, LLC

Friday, July 23, 2004 07:56PM



SYSTEM WIRING DIAGRAMS

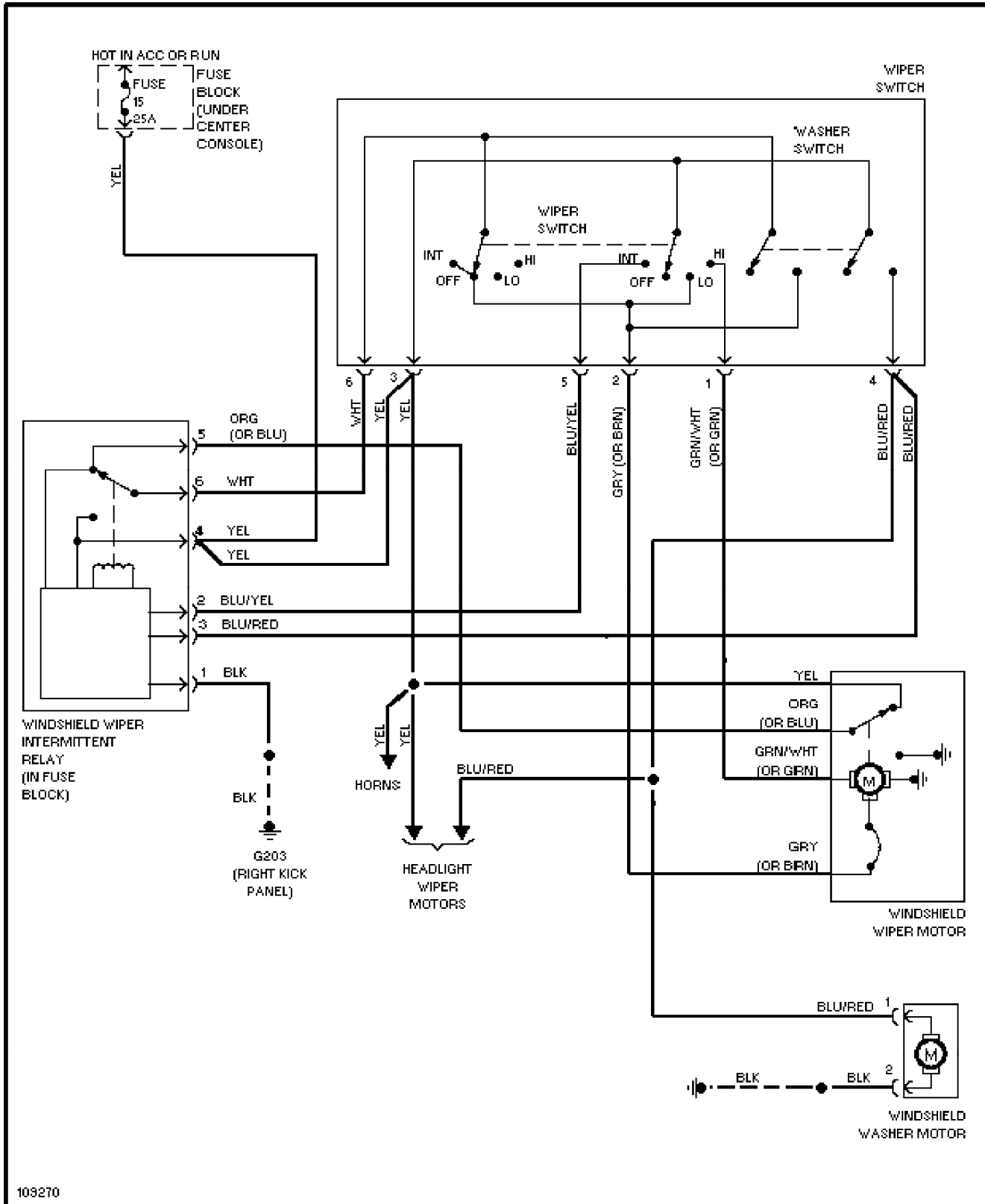
Front Wiper/Washer Circuit

1986 Volvo 760

For x

Copyright © 1998 Mitchell Repair Information Company, LLC

Friday, July 23, 2004 07:56PM



SYSTEM WIRING DIAGRAMS

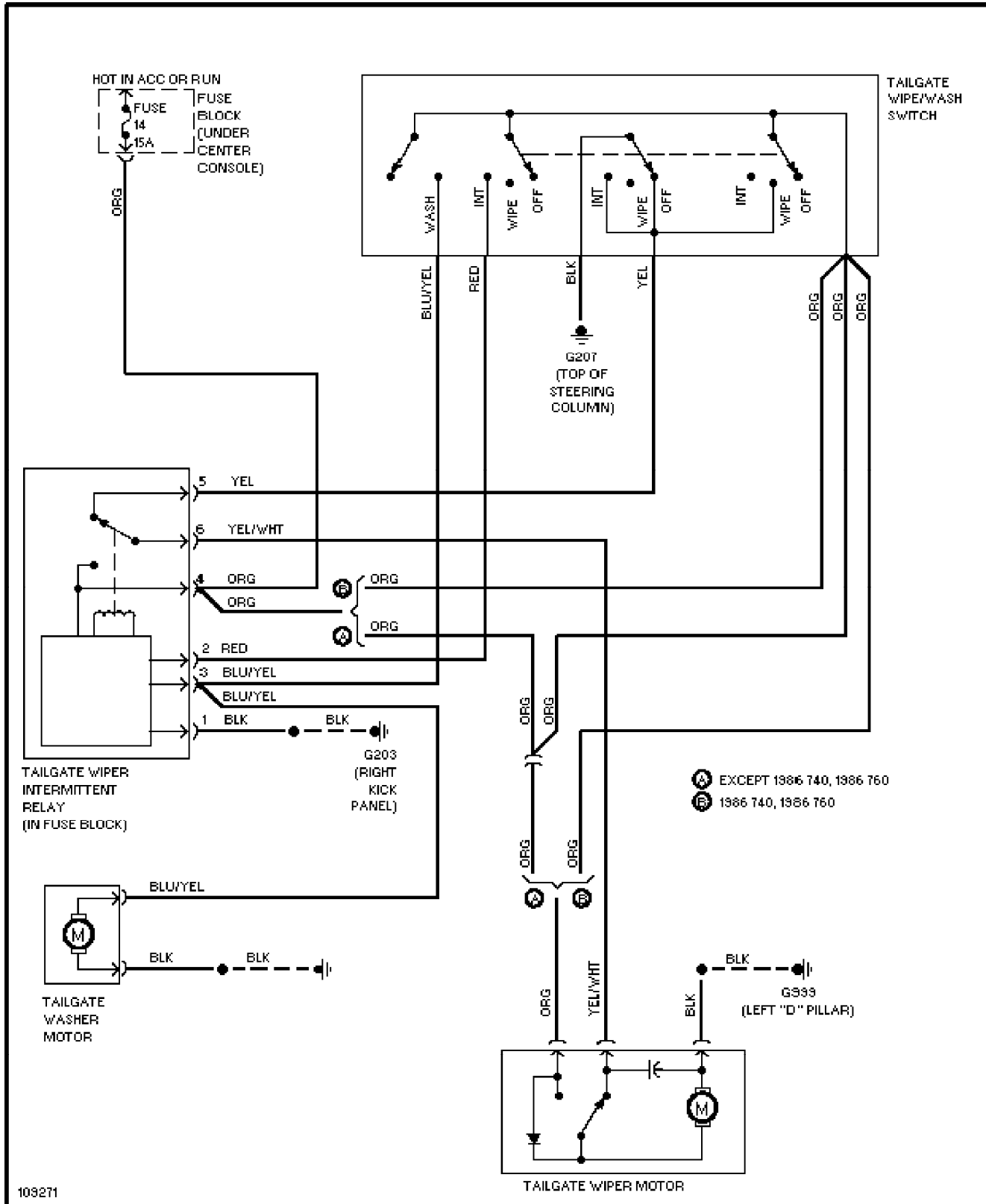
Rear Wiper/Washer Circuit

1986 Volvo 760

For x

Copyright © 1998 Mitchell Repair Information Company, LLC

Friday, July 23, 2004 07:57PM



SYSTEM WIRING DIAGRAMS

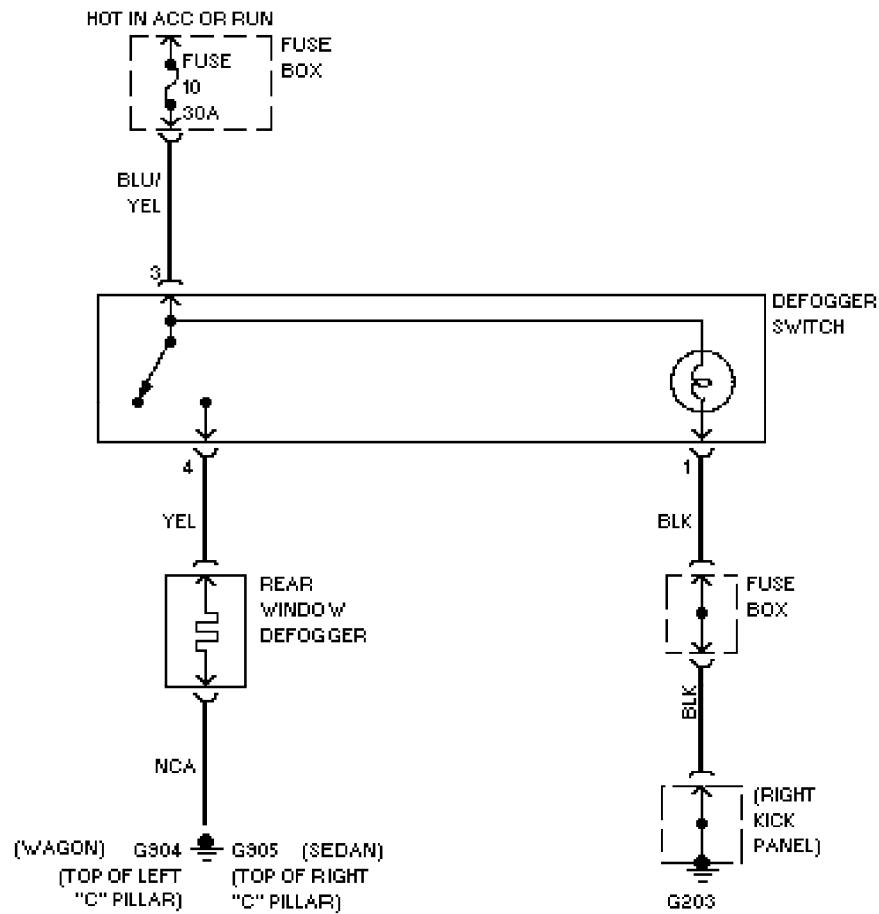
Defogger Circuit, W/O Heated Mirrors

1986 Volvo 760

For x

Copyright © 1998 Mitchell Repair Information Company, LLC

Friday, July 23, 2004 07:56PM



SYSTEM WIRING DIAGRAMS

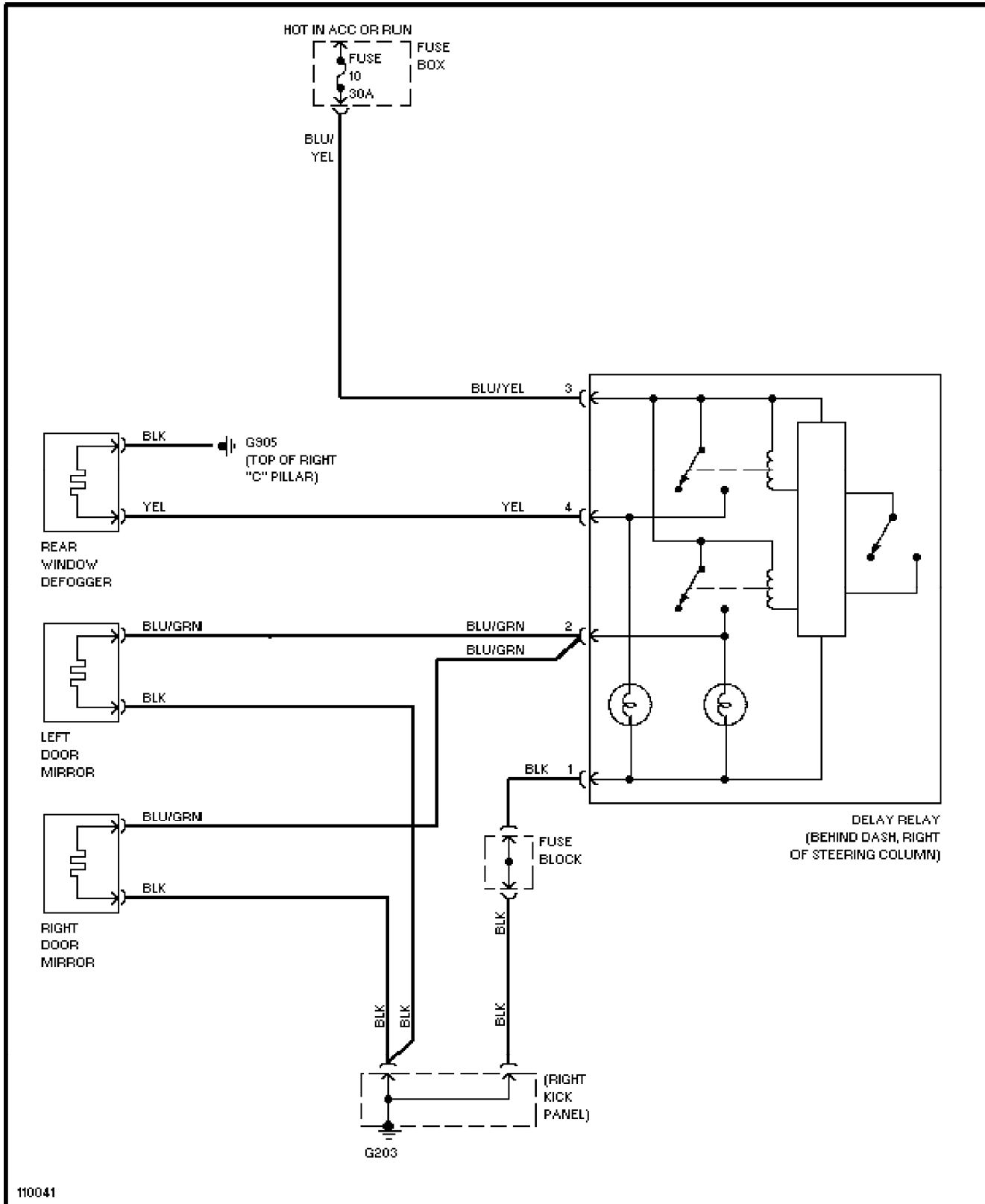
Rear Defogger & Heated Mirrors Circuit

1986 Volvo 760

For x

Copyright © 1998 Mitchell Repair Information Company, LLC

Friday, July 23, 2004 07:56PM



SYSTEM WIRING DIAGRAMS

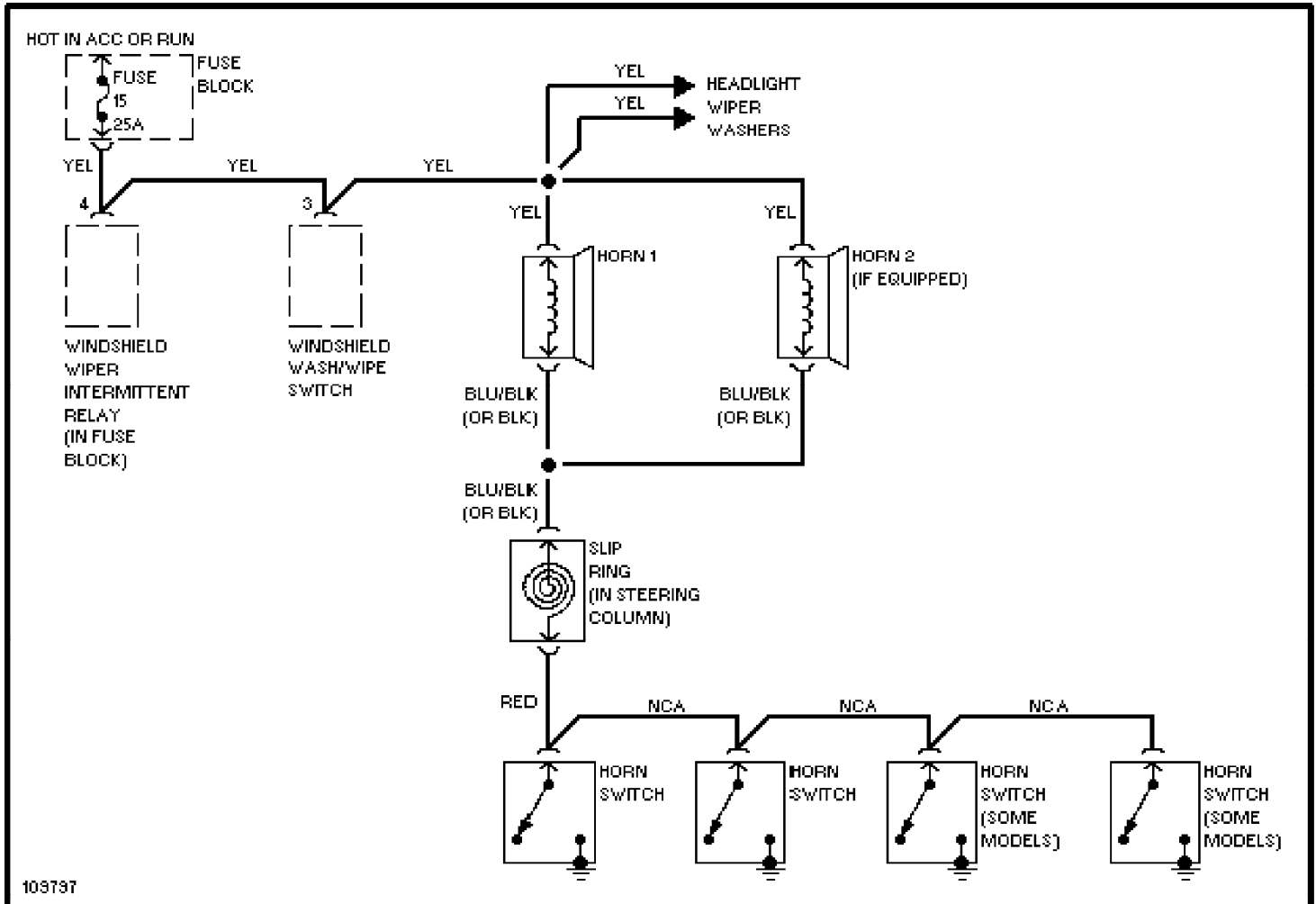
Horn Circuit

1986 Volvo 760

For x

Copyright © 1998 Mitchell Repair Information Company, LLC

Friday, July 23, 2004 07:56PM



SYSTEM WIRING DIAGRAMS

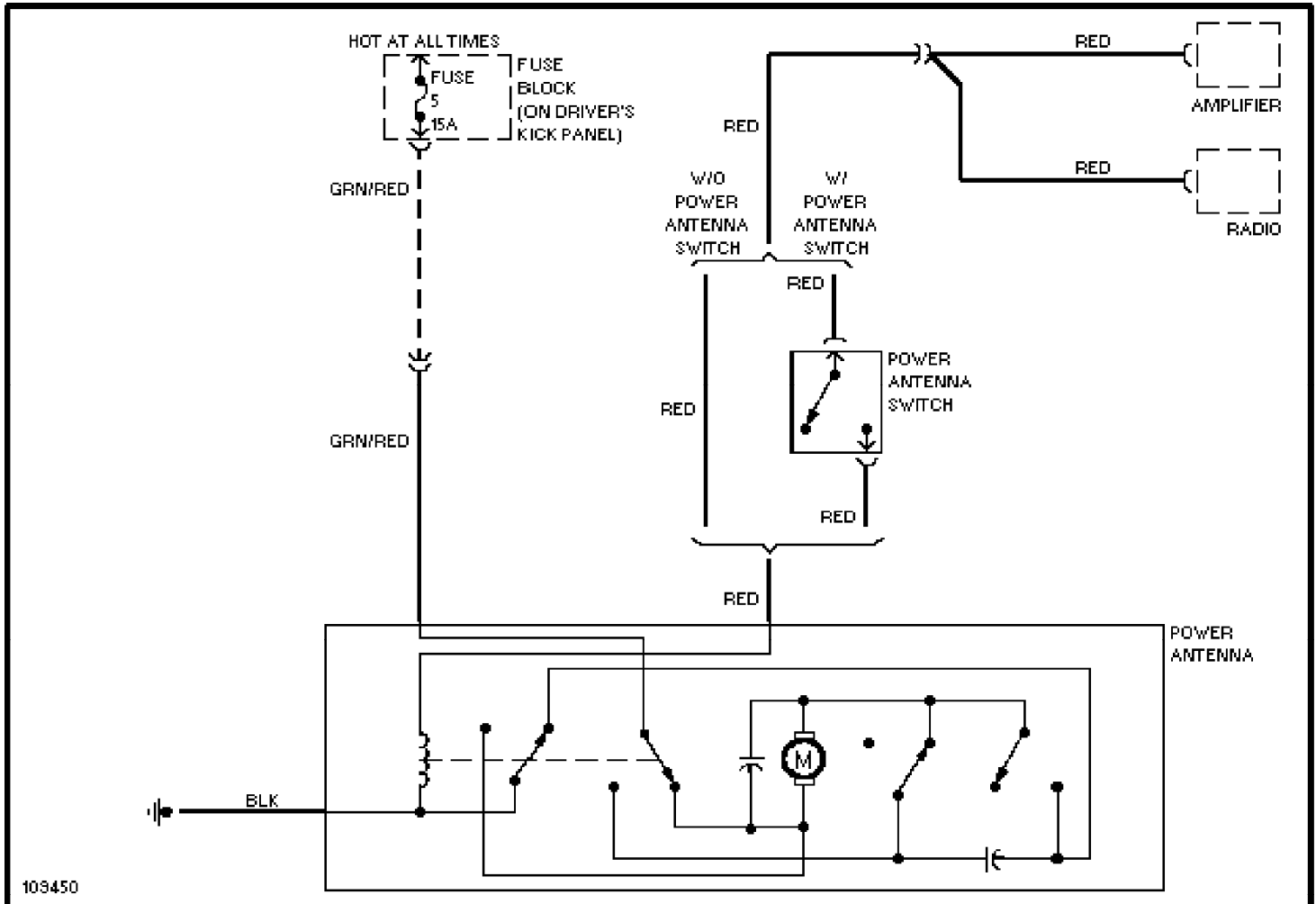
Power Antenna Circuit

1986 Volvo 760

For x

Copyright © 1998 Mitchell Repair Information Company, LLC

Friday, July 23, 2004 07:56PM



SYSTEM WIRING DIAGRAMS

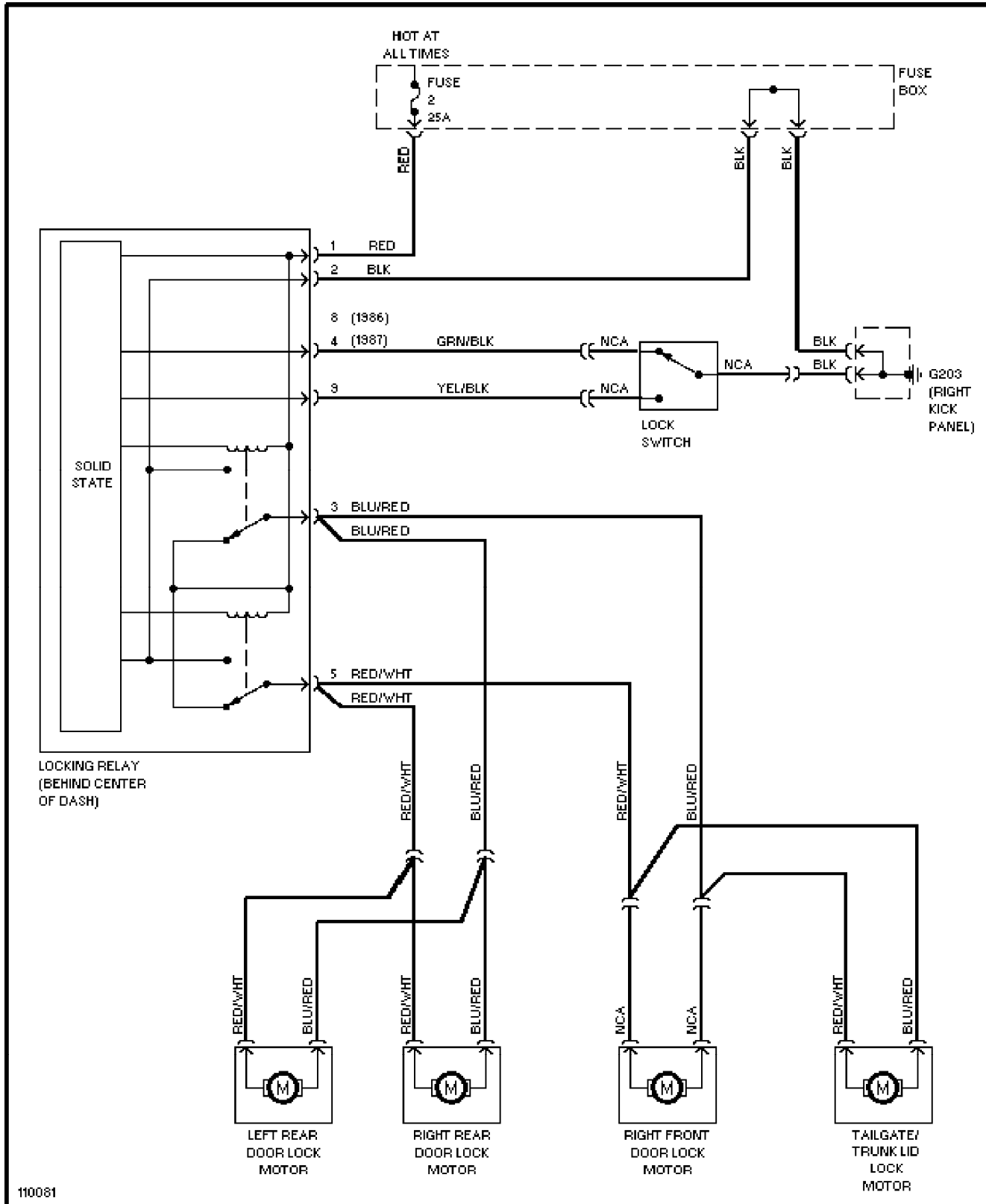
Power Door Lock Circuit

1986 Volvo 760

For x

Copyright © 1998 Mitchell Repair Information Company, LLC

Friday, July 23, 2004 07:56PM



SYSTEM WIRING DIAGRAMS

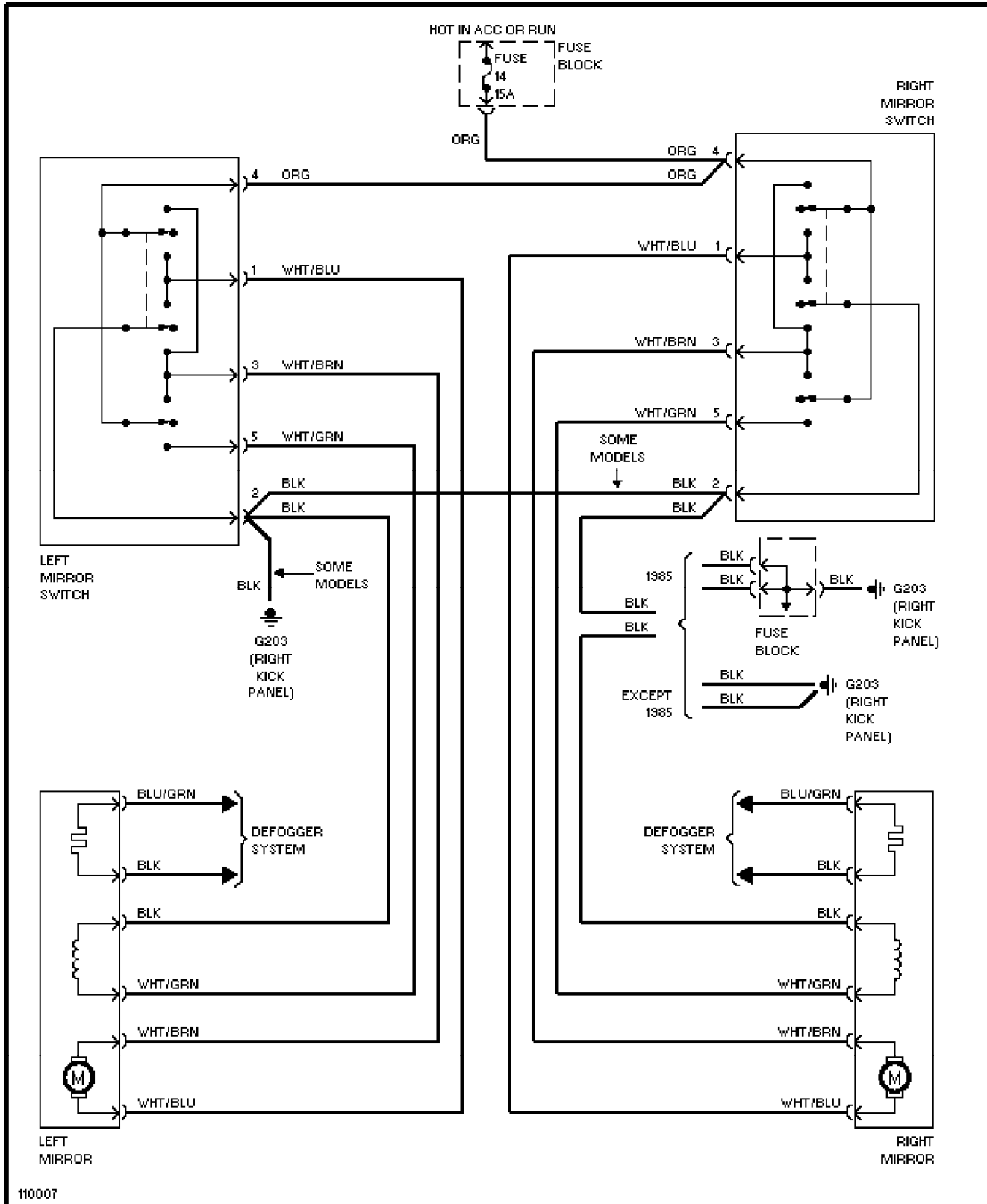
Power Mirror Circuit

1986 Volvo 760

For x

Copyright © 1998 Mitchell Repair Information Company, LLC

Friday, July 23, 2004 07:56PM



SYSTEM WIRING DIAGRAMS

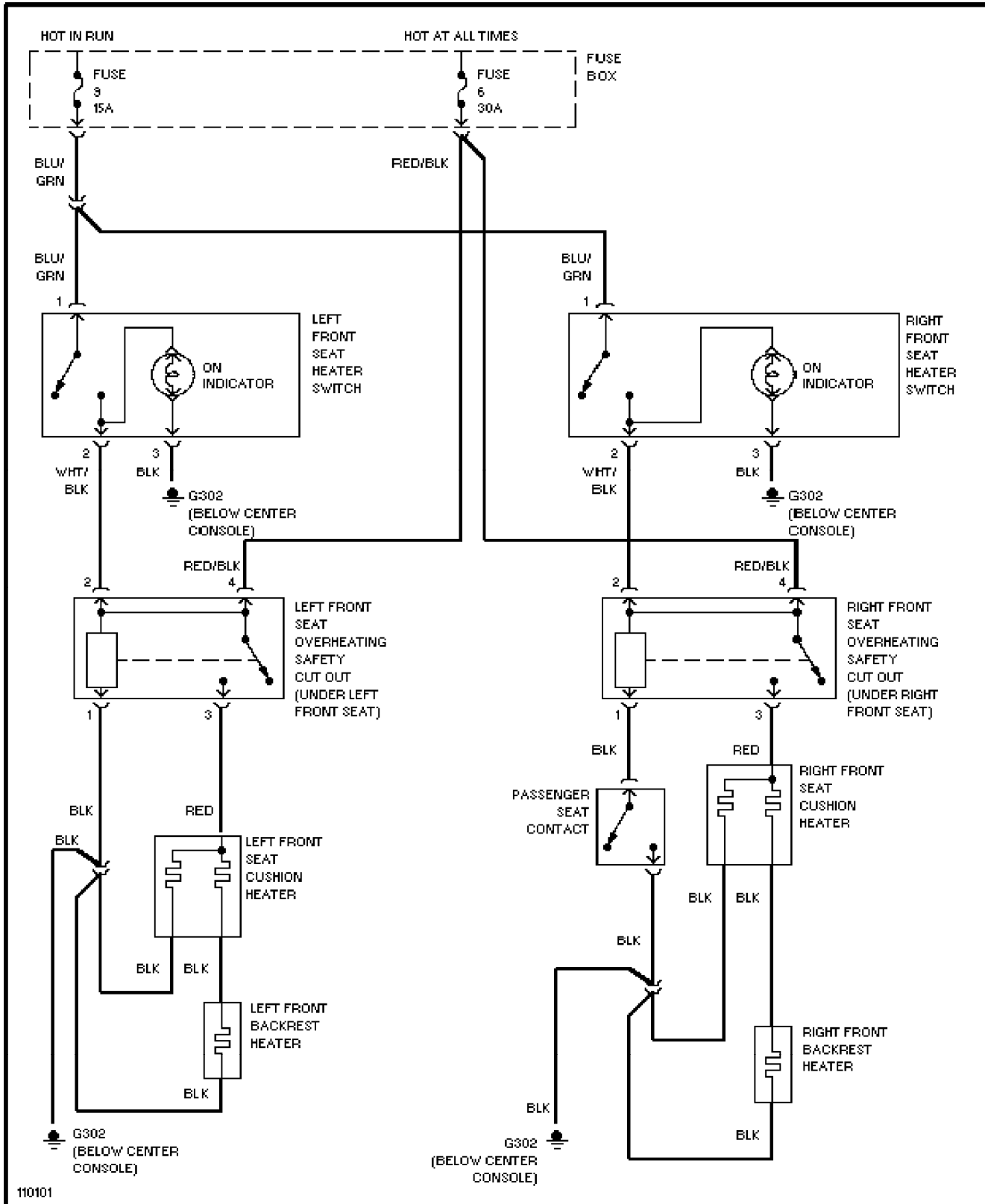
Heated Seats Circuit, Dual Output

1986 Volvo 760

For x

Copyright © 1998 Mitchell Repair Information Company, LLC

Friday, July 23, 2004 07:56PM



SYSTEM WIRING DIAGRAMS

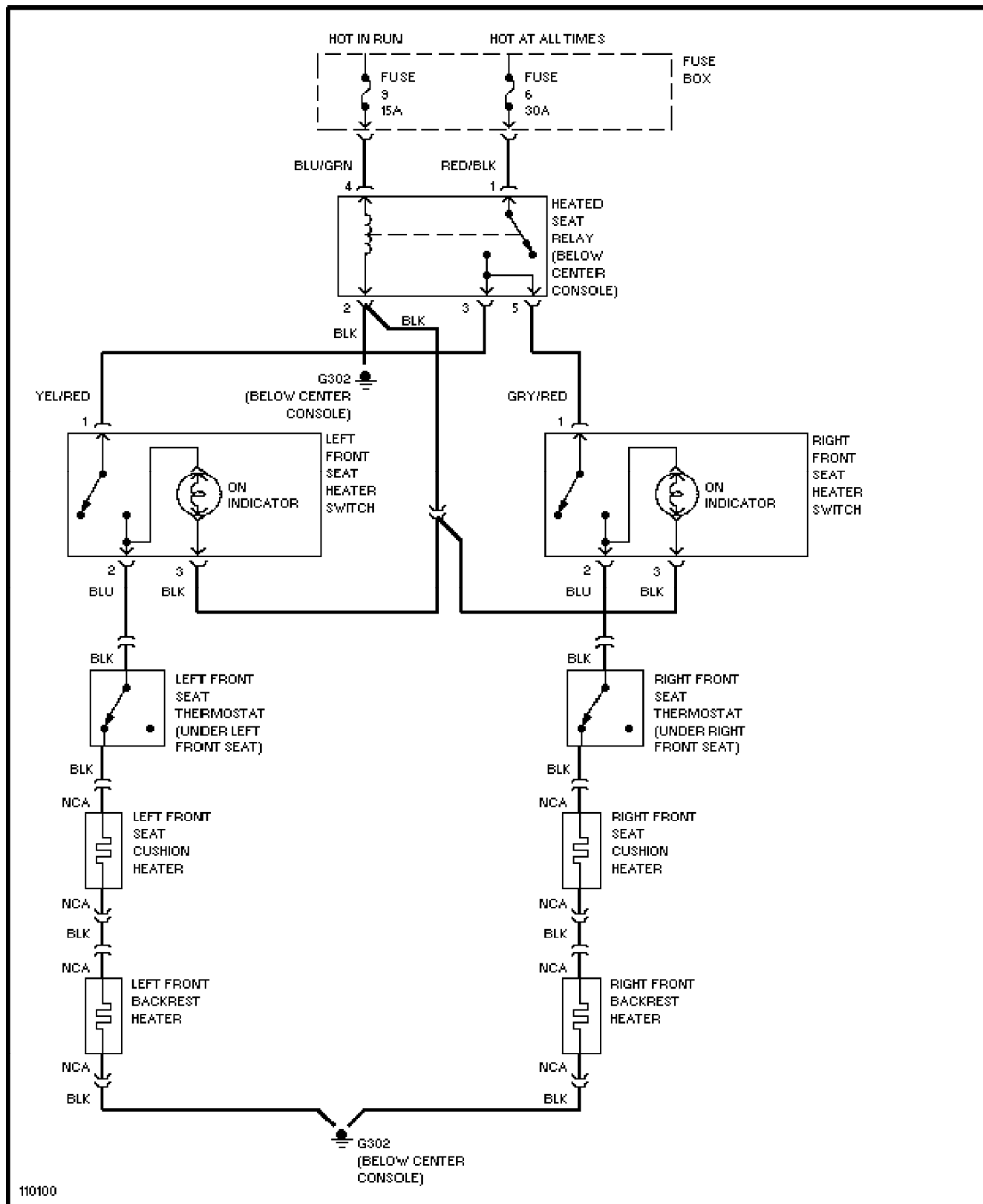
Heated Seats Circuit, Single Output

1986 Volvo 760

For x

Copyright © 1998 Mitchell Repair Information Company, LLC

Friday, July 23, 2004 07:56PM



SYSTEM WIRING DIAGRAMS

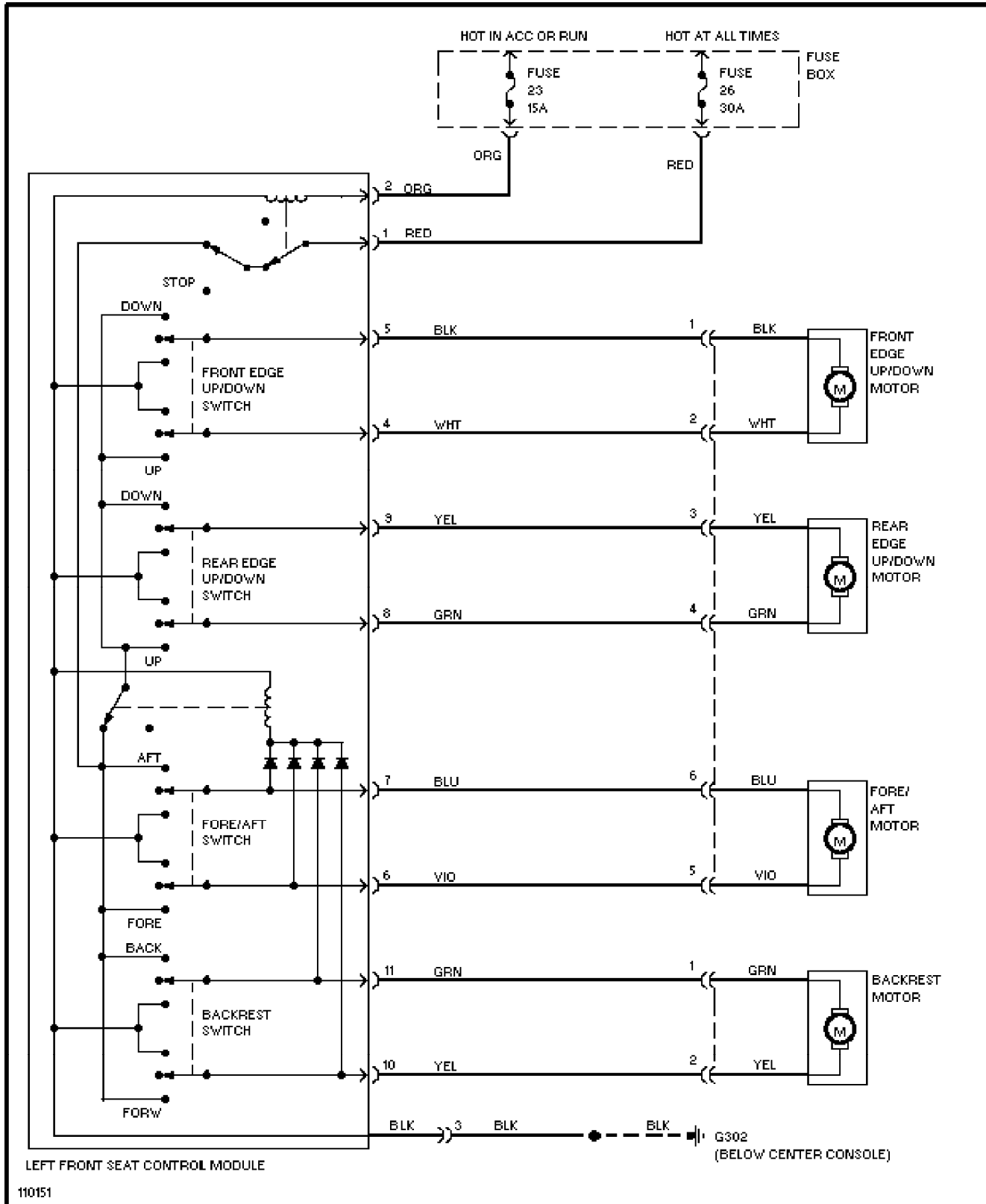
Power Seat Circuit

1986 Volvo 760

For x

Copyright © 1998 Mitchell Repair Information Company, LLC

Friday, July 23, 2004 07:56PM



SYSTEM WIRING DIAGRAMS

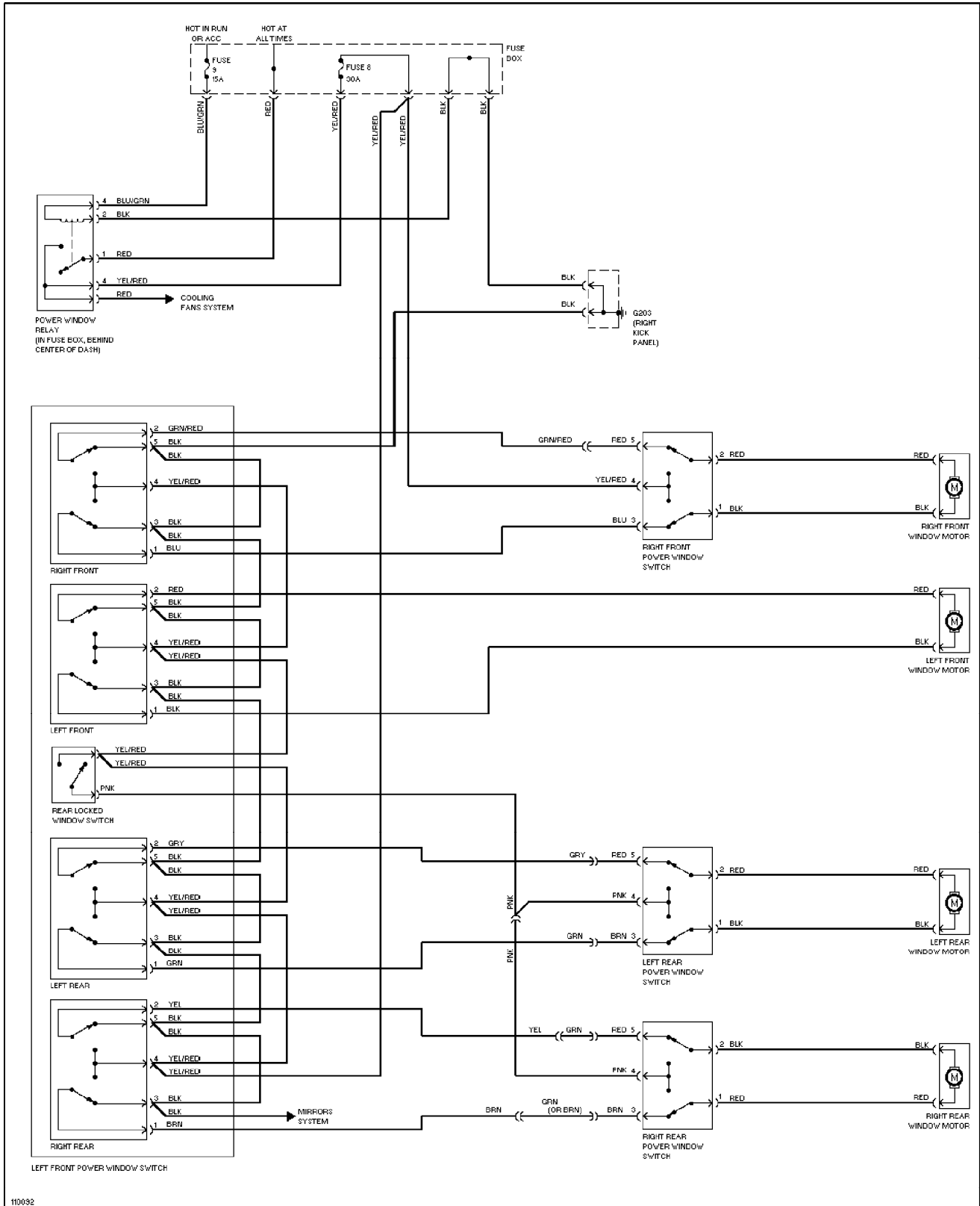
Power Window Circuit

1986 Volvo 760

For x

Copyright © 1998 Mitchell Repair Information Company, LLC

Friday, July 23, 2004 07:56PM



SYSTEM WIRING DIAGRAMS

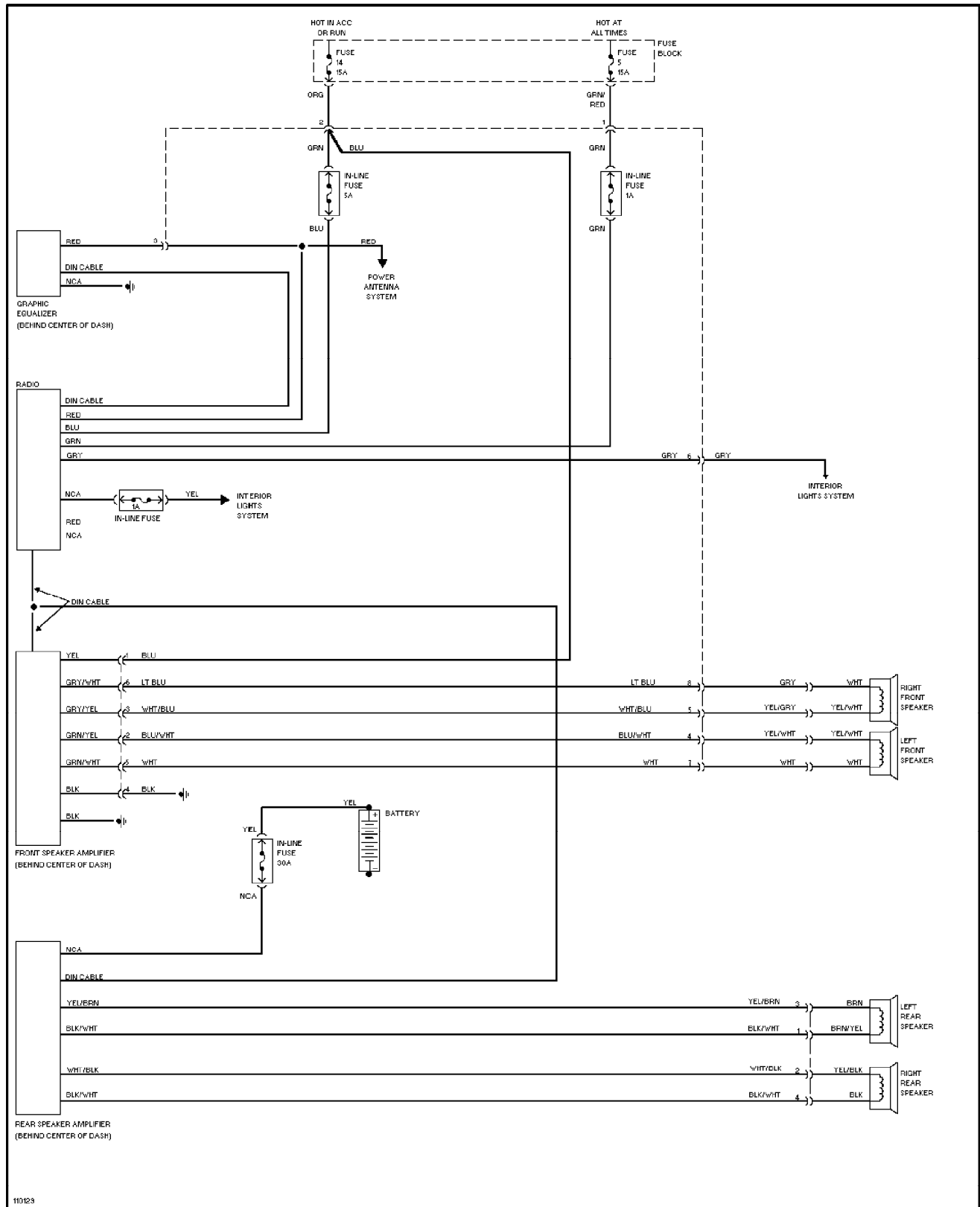
Radio Circuits

1986 Volvo 760

For x

Copyright © 1998 Mitchell Repair Information Company, LLC

Friday, July 23, 2004 07:56PM



SYSTEM WIRING DIAGRAMS

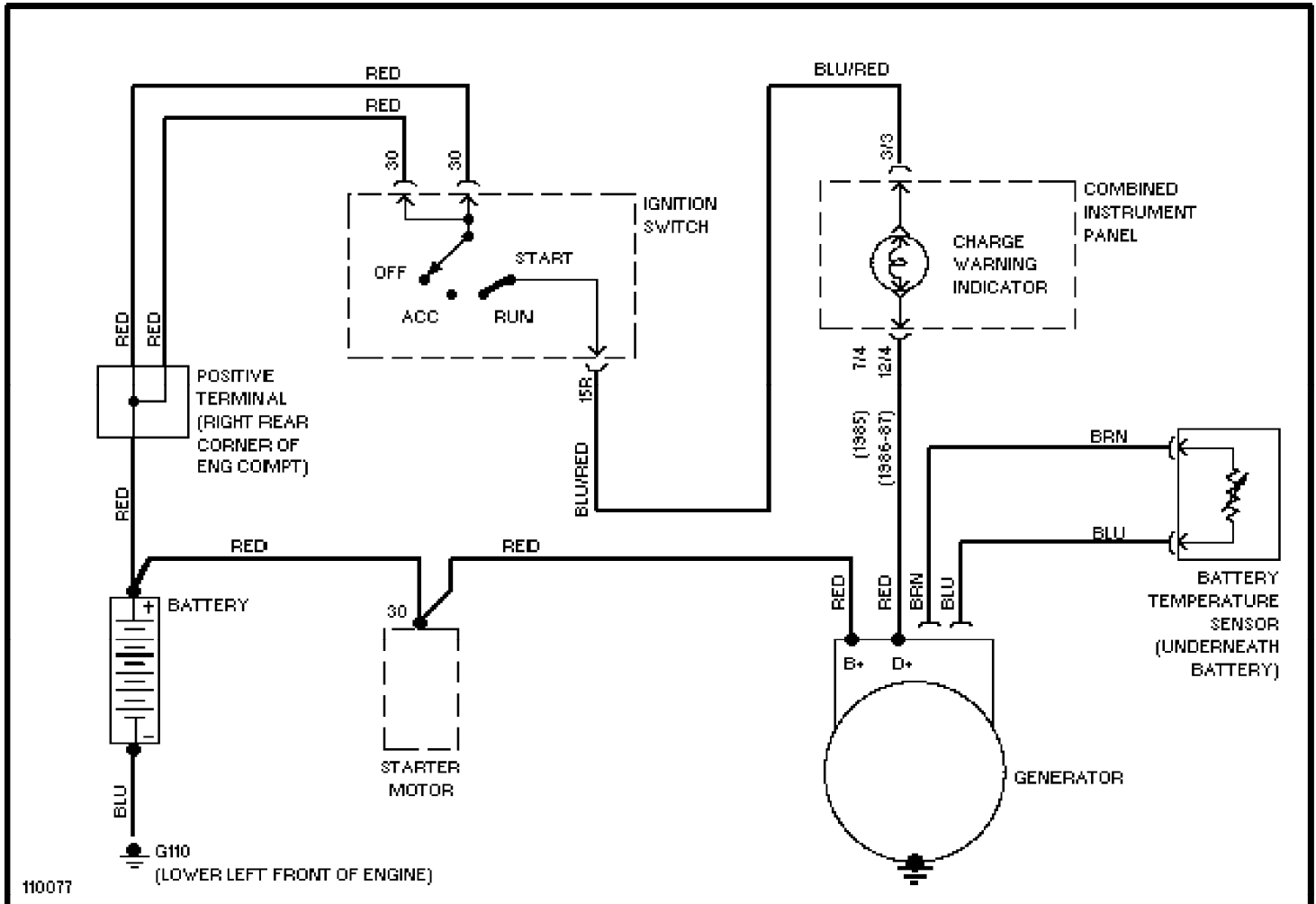
Charging Circuit

1986 Volvo 760

For x

Copyright © 1998 Mitchell Repair Information Company, LLC

Friday, July 23, 2004 07:56PM



WIRING DIAGRAMS

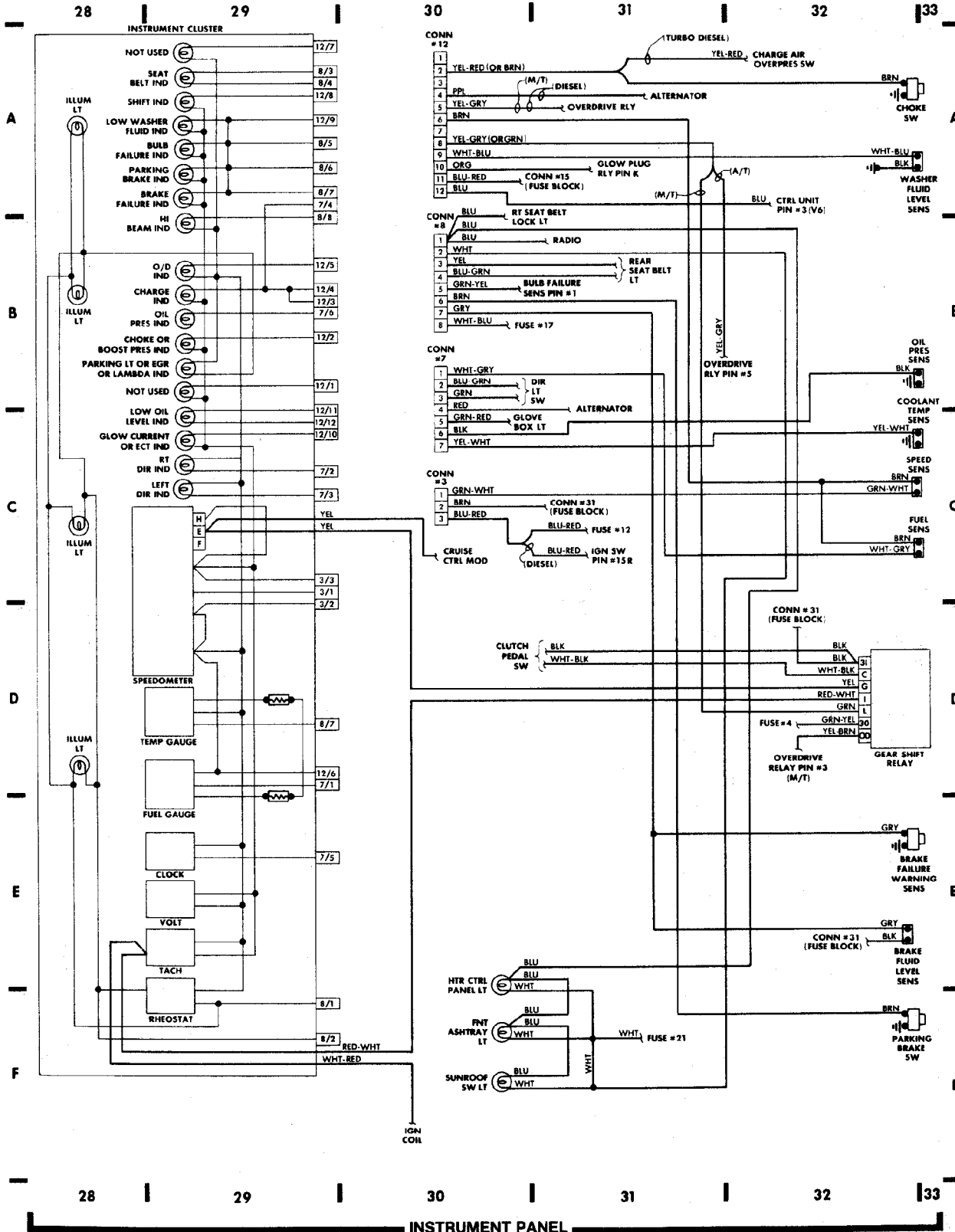
Fig. 7: Instrument Panel (Grids 28-33)

1986 Volvo 760

For x

Copyright © 1998 Mitchell Repair Information Company, LLC

Friday, July 23, 2004 07:58PM



WIRING DIAGRAMS

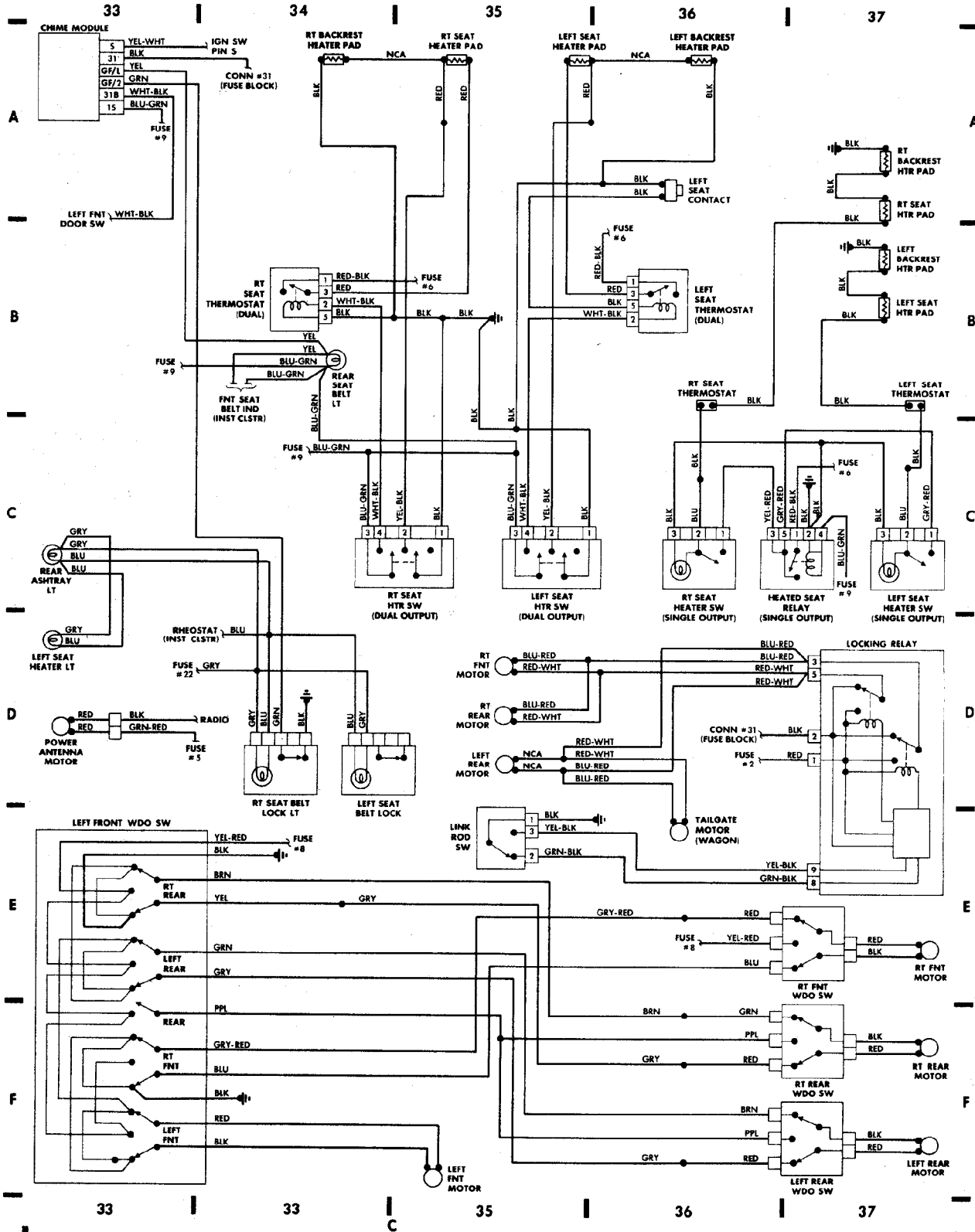
Fig. 8: Rear Compartment & Accessories (Grids 33-37)

1986 Volvo 760

For x

Copyright © 1998 Mitchell Repair Information Company, LLC

Friday, July 23, 2004 07:58PM



WIRING DIAGRAMS

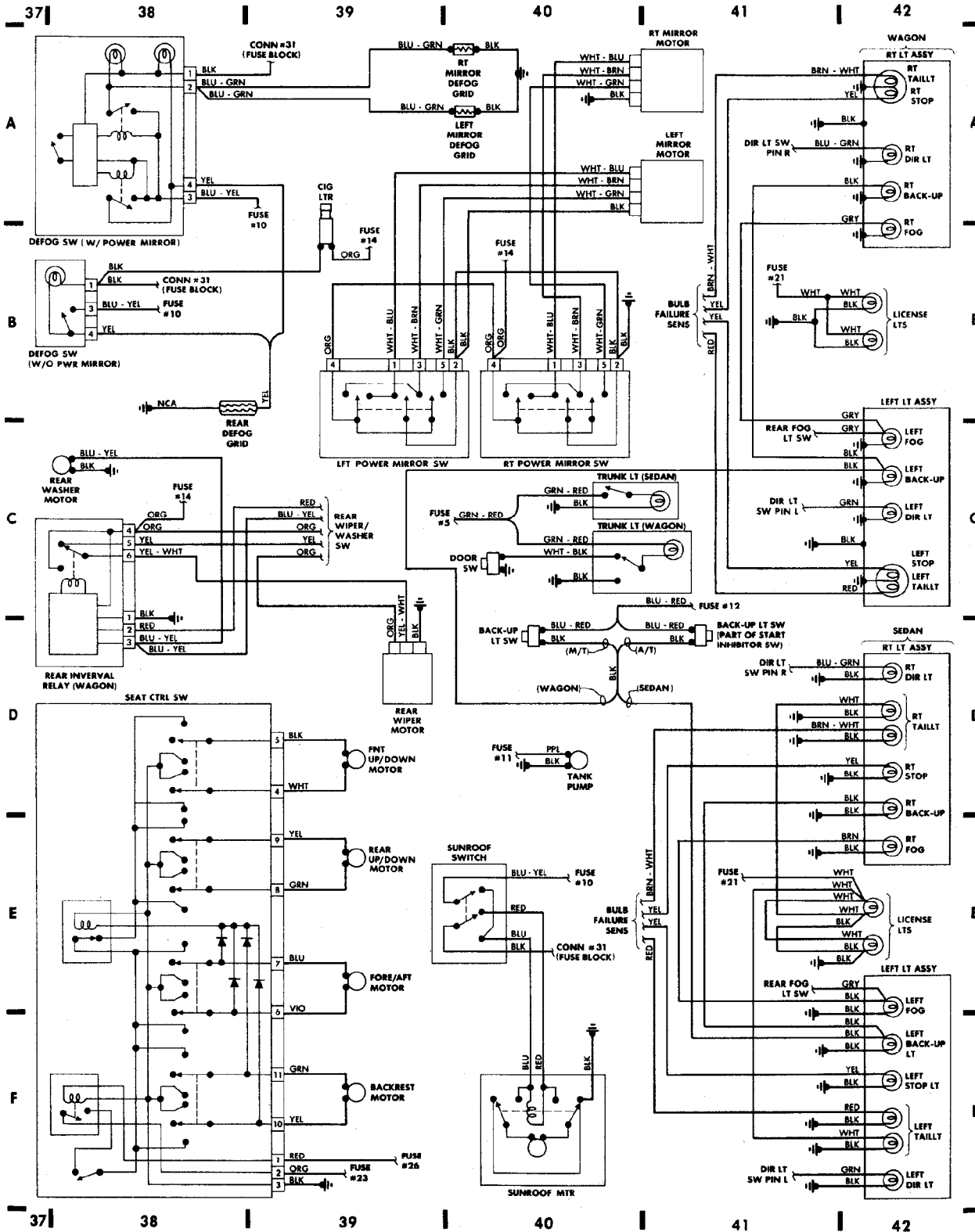
Fig. 9: Rear Compartment & Accessories (Cont.) (Grids 37-42)

1986 Volvo 760

For x

Copyright © 1998 Mitchell Repair Information Company, LLC

Friday, July 23, 2004 07:58PM



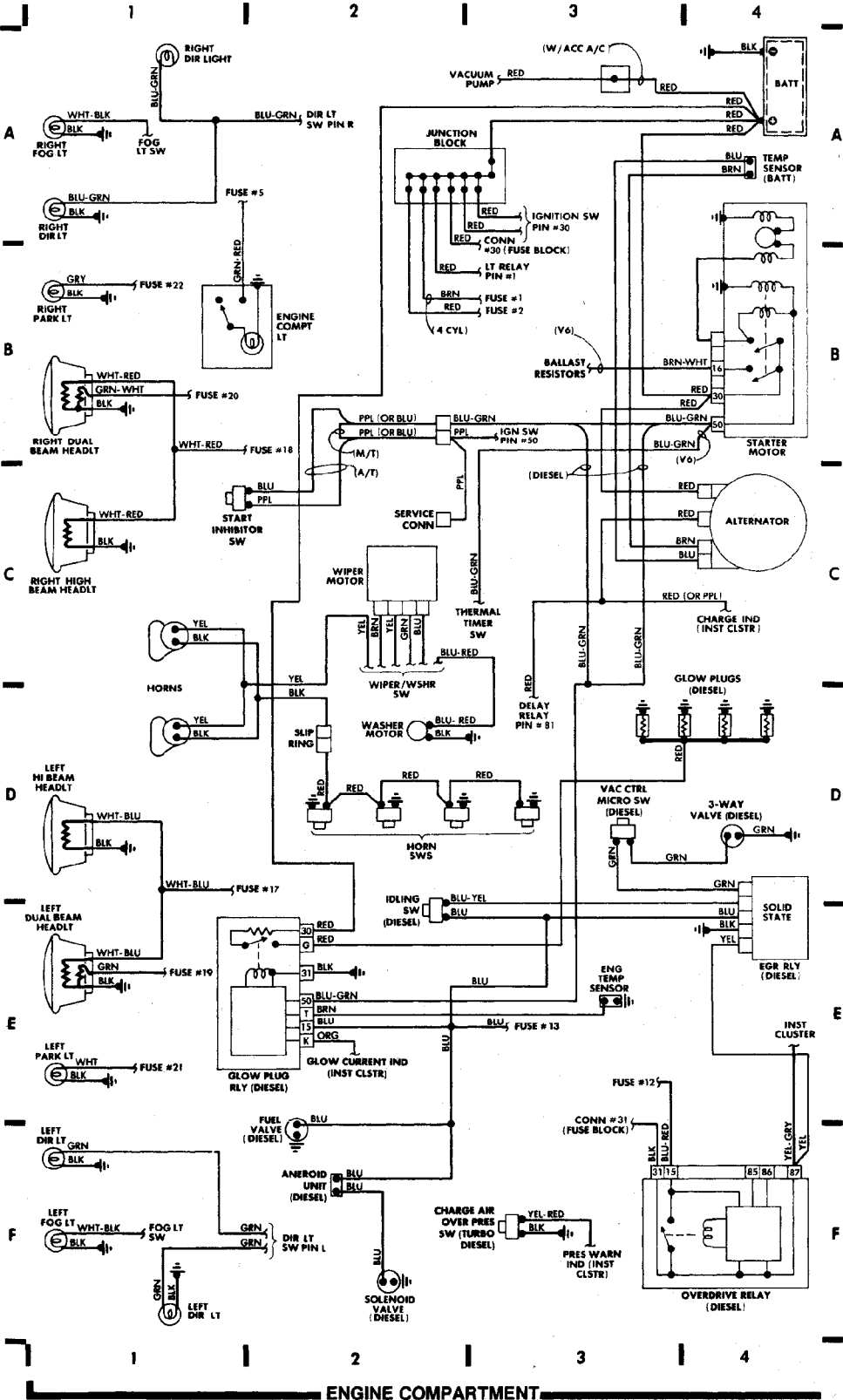
WIRING DIAGRAMS

Fig. 1: Engine Compartment (Grids 1-4)

1986 Volvo 760
For x
Copyright © 1998 Mitchell Repair Information Company, LLC
Friday, July 23, 2004 07:57PM

COMPONENT LOCATOR:

A/C COMPENSATION SOL	B 21
AIR CTRL VALVE	C 13
ALTERNATOR	C 4
BACK-UP LT SWITCH	D 40-41
BALLAST RESISTOR	E 12
BATTERY	A 4
BRAKE FLUID LEVEL SENS	E 32
BRAKE LT SWITCH	D 23
CHARGE AIR OVERPRES SW (TURBO DIESEL)	F 3
CHIME MODULE	A 23
CIG LTR	A 39
CLUTCH PEDAL SWITCH	C 23
COURTESY LT ASSY	C-D 23-24
CRUISE CTRL MOD	B 23
CTRL UNIT	E 13
DEFOG SWITCH	A-B 38
DELAY RLY (ACC)	F 19
DELAY RLY (STD)	D-E 23
DIR LT SWITCH	A-C 23-24
DOOR LTS	D 25
ENG COMPT LT	B 1
FLASHER RLY	A 26
FNT ASHTRAY LT	F 30
FOG LT RLY	F 28
FUEL PUMP (4 CYL)	E 9
FUEL PUMP (V6)	D 13
FUEL PUMP RLY (4 CYL)	A-B 9
FUEL PUMP RLY (V6)	B 9
FUSE BLOCK	B-E 15-17
GEAR SHIFT RLY	D 32
GLOVE BOX LT	E 25
GLOW PLUG RLY	E 1-2
HEATED SEAT RLY	C 37
HEATER CTRL (STD)	D 19
IDLE SPD CTRL UNIT	A-B 13
IGN ADVANCE RLY	C 19
IGN COIL (4 CYL)	F 7
IGN COIL (V6)	F 13
IGN SWITCH	F 14
IGN SYS CTRL UNIT (4 CYL)	E-F 4-5
IMPULSE RLY	C 13
INHIBITOR SWITCH	C 1
INST CLSTR	A-F 28-29
INTERVAL RLY	D 26
JETRONIC CTRL MOD (4 CYL)	A-B 4-5
LAMBDA SOND RLY	C 9
LEFT FNT WDO SW	E-F 23
LIGHT SWITCH	A-B 26
LOCKING RLY	D-E 37
LT RELAY	B-C 28
MICRO SWITCH	E 9
OVERDRIVE RLY (A/T)	A 23
OVERDRIVE RLY (DIESEL)	F 4
OVERDRIVE RLY (M/T)	A 19
POWER ANTENNA MTR	D 33
PROGRAMMER (ACC)	F 23
PWR WDO/COLANT FAN RLY	B 19
REAR WIPER/WASHER SW (WAGON)	D-E 28
RT FNT WDO SW	E 37
SEAT CTRL SWITCH	D-F 38
SEAT BELT LOCK LT	D 34
SEAT THERMOSTAT	B 34, B 36
STARTER MOTOR	B 4
SUNROOF SWITCH	E 40
TANK PUMP	D 40
THERMAL TIMER SW	D 13
TRUNK LIGHT	C 40-41
VACUUM PUMP	F 21
VANITY MIRROR	E 26
WIPER MOTOR	C 2
WIPER/WASHER SWITCH	C 28



WIRING DIAGRAMS

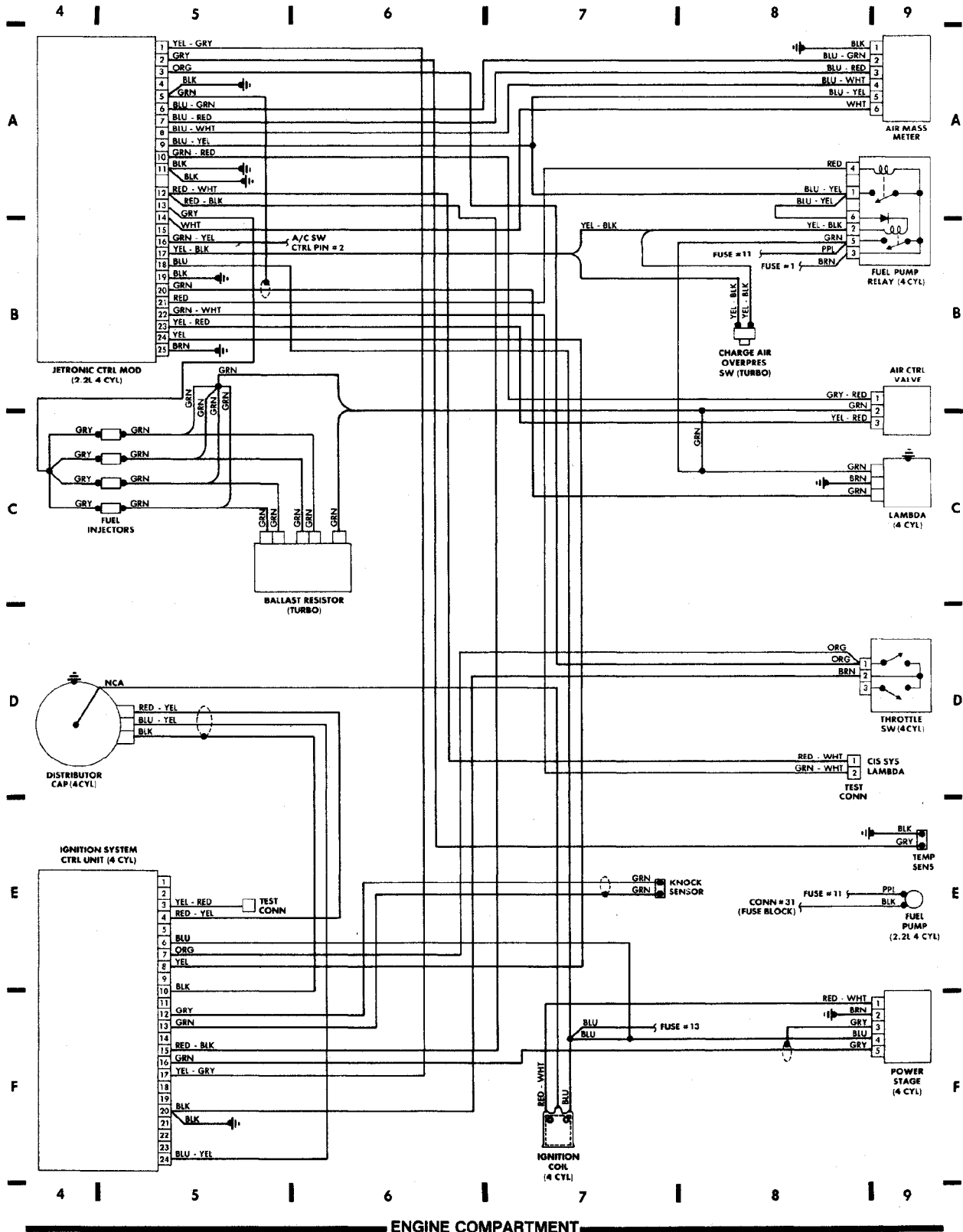
Fig. 2: Engine Compartment (Cont.) (Grids 4-9)

1986 Volvo 760

For x

Copyright © 1998 Mitchell Repair Information Company, LLC

Friday, July 23, 2004 07:57PM



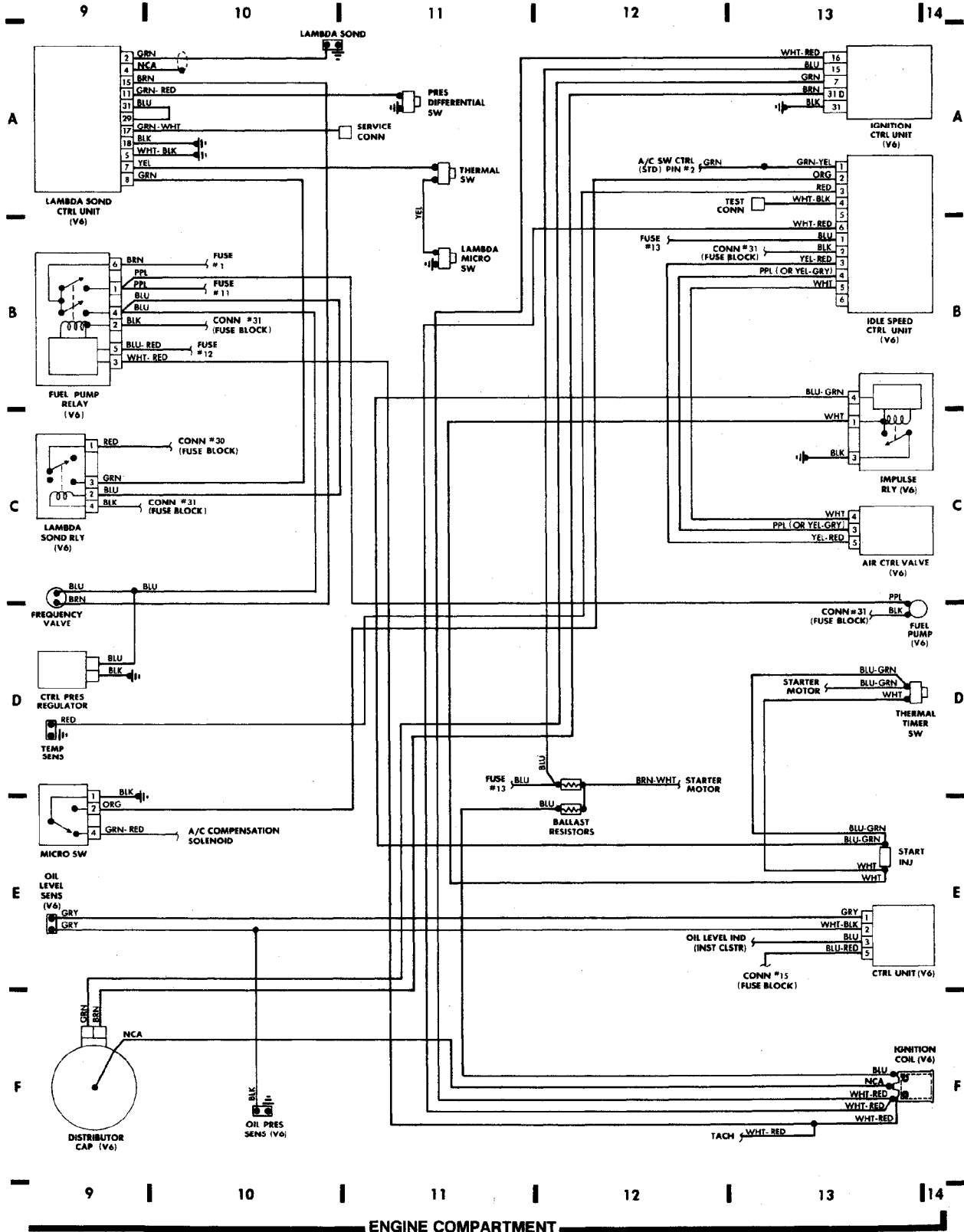
WIRING DIAGRAMS

Fig. 3: Engine Compartment (Cont.) (Grids 9-14)

1986 Volvo 760

For x

Copyright © 1998 Mitchell Repair Information Company, LLC
Friday, July 23, 2004 07:57PM



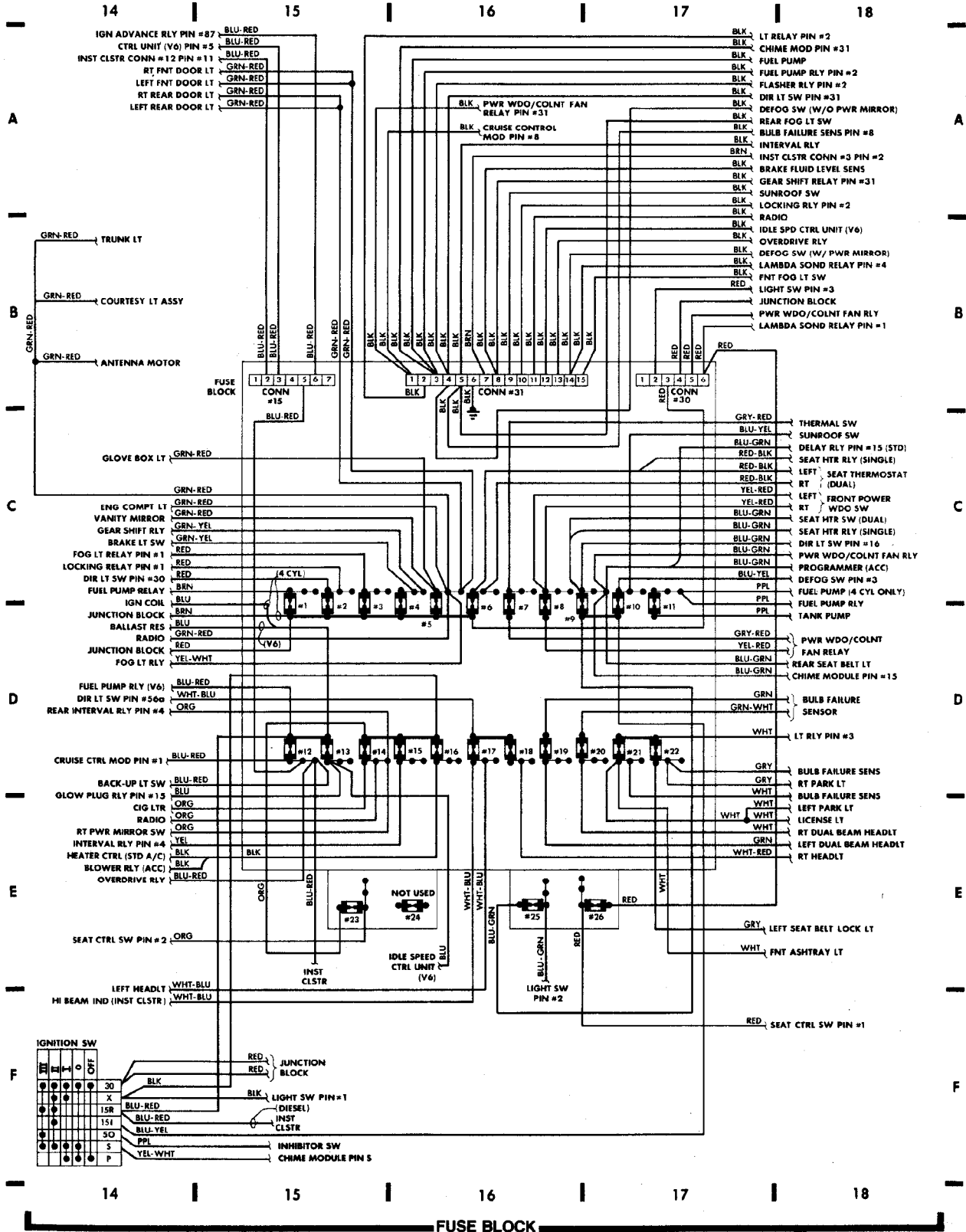
WIRING DIAGRAMS

Fig. 4: Fuse Block (Grids 14-18)

1986 Volvo 760

For x

Copyright © 1998 Mitchell Repair Information Company, LLC
Friday, July 23, 2004 07:57PM



WIRING DIAGRAMS

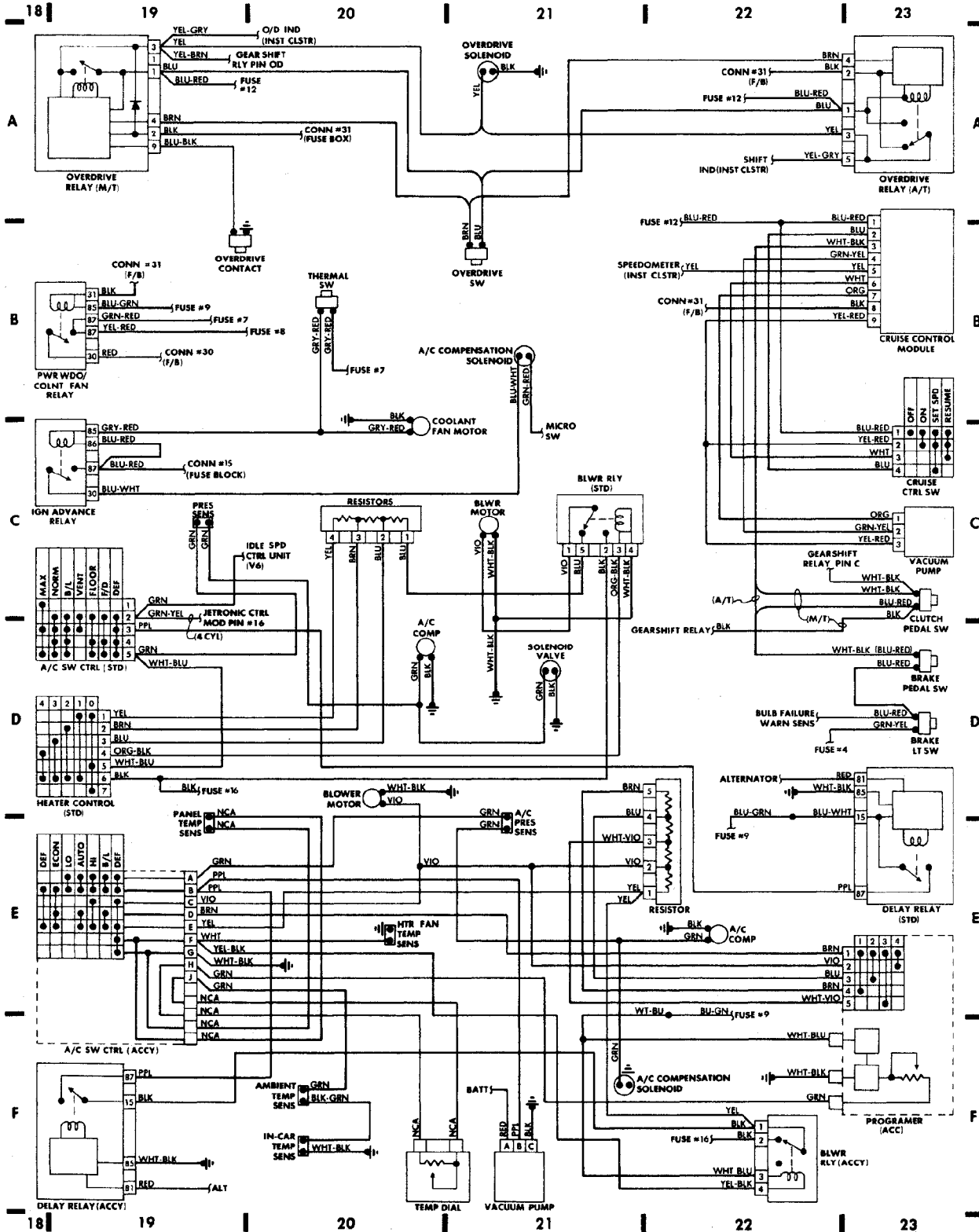
Fig. 5: Underdash (Grids 18-23)

1986 Volvo 760

For x

Copyright © 1998 Mitchell Repair Information Company, LLC

Friday, July 23, 2004 07:57PM



WIRING DIAGRAMS

Fig. 6: Underdash (Cont.) (Grids 23-28)

1986 Volvo 760

For x

Copyright © 1998 Mitchell Repair Information Company, LLC

Friday, July 23, 2004 07:58PM

