

SYSTEM WIRING DIAGRAMS

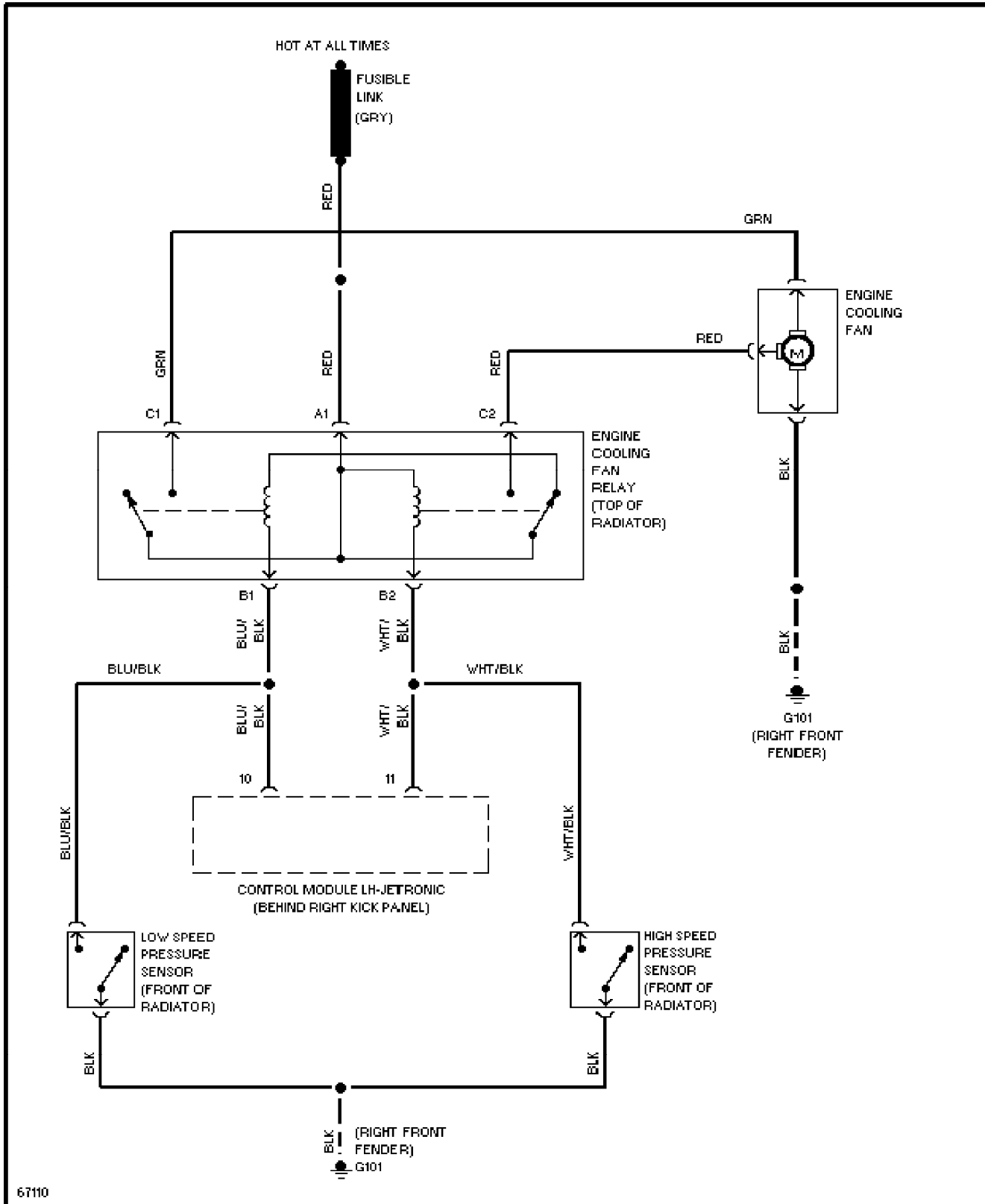
Cooling Fan Circuit

1993 Volvo 940

For x

Copyright © 1998 Mitchell Repair Information Company, LLC

Friday, July 23, 2004 11:55PM



SYSTEM WIRING DIAGRAMS

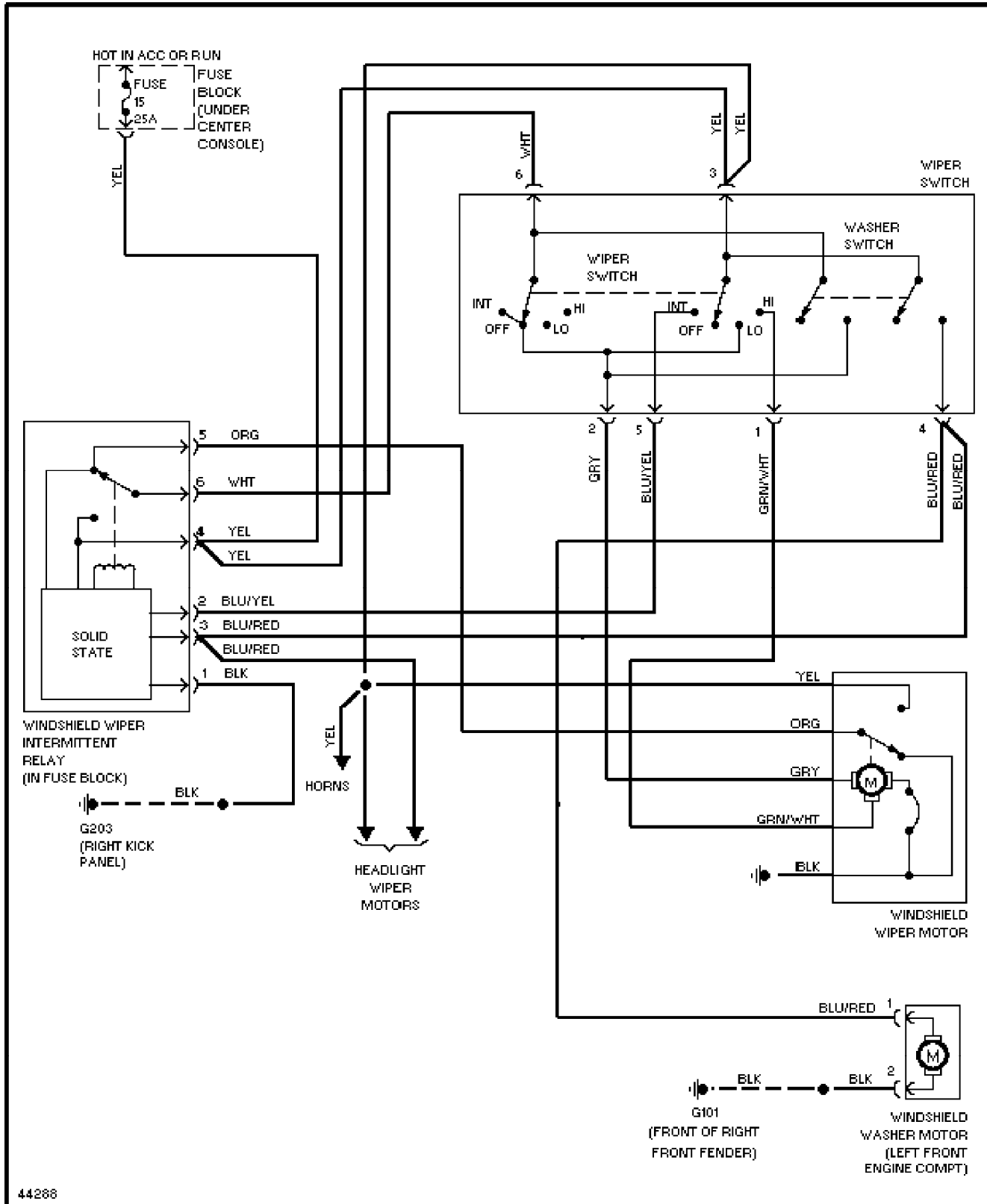
Front Washer/Wiper Circuit

1993 Volvo 940

For x

Copyright © 1998 Mitchell Repair Information Company, LLC

Friday, July 23, 2004 11:56PM



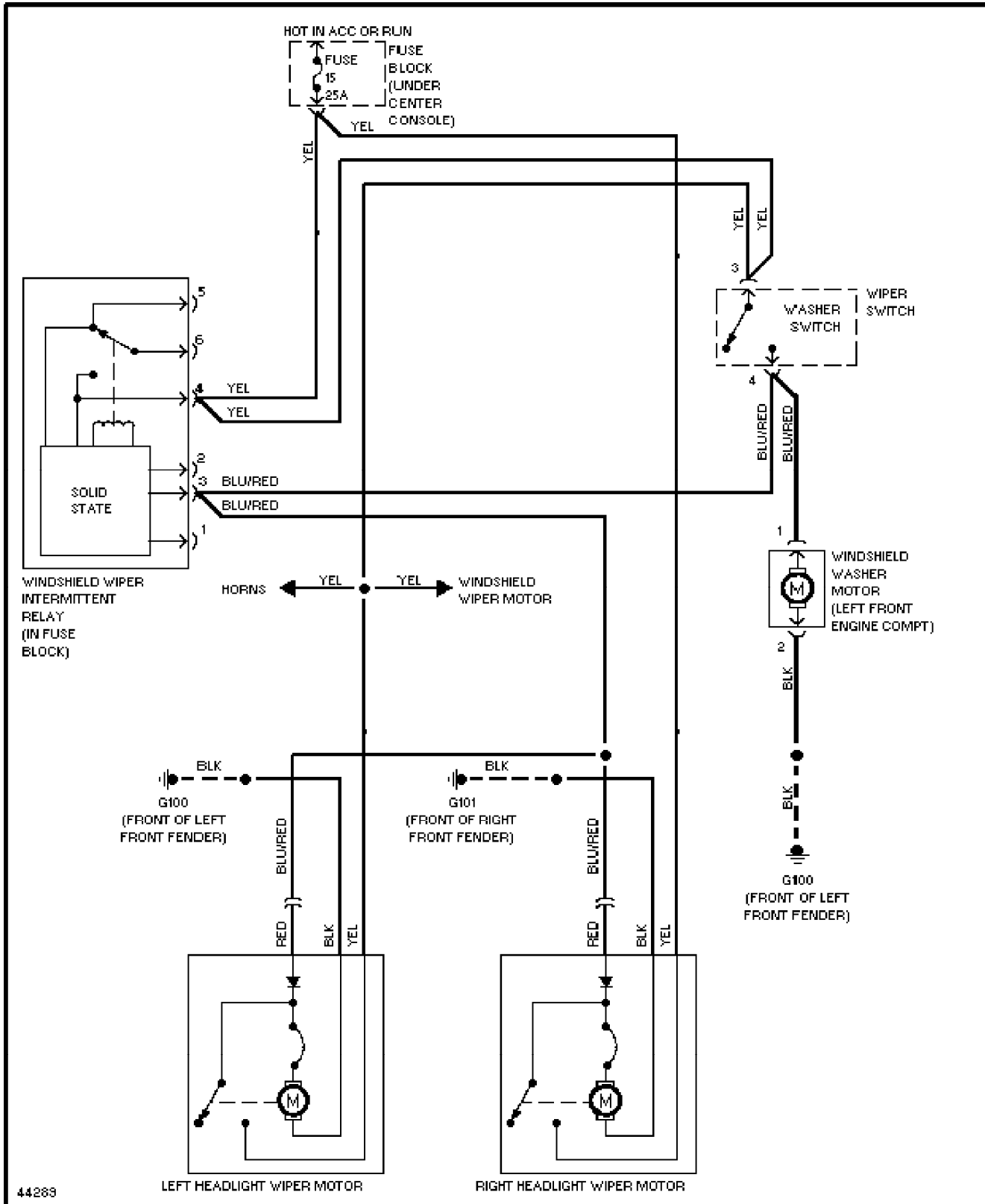
SYSTEM WIRING DIAGRAMS

Headlight Washer/Wiper Circuit

1993 Volvo 940

For x

Copyright © 1998 Mitchell Repair Information Company, LLC
 Friday, July 23, 2004 11:56PM



SYSTEM WIRING DIAGRAMS

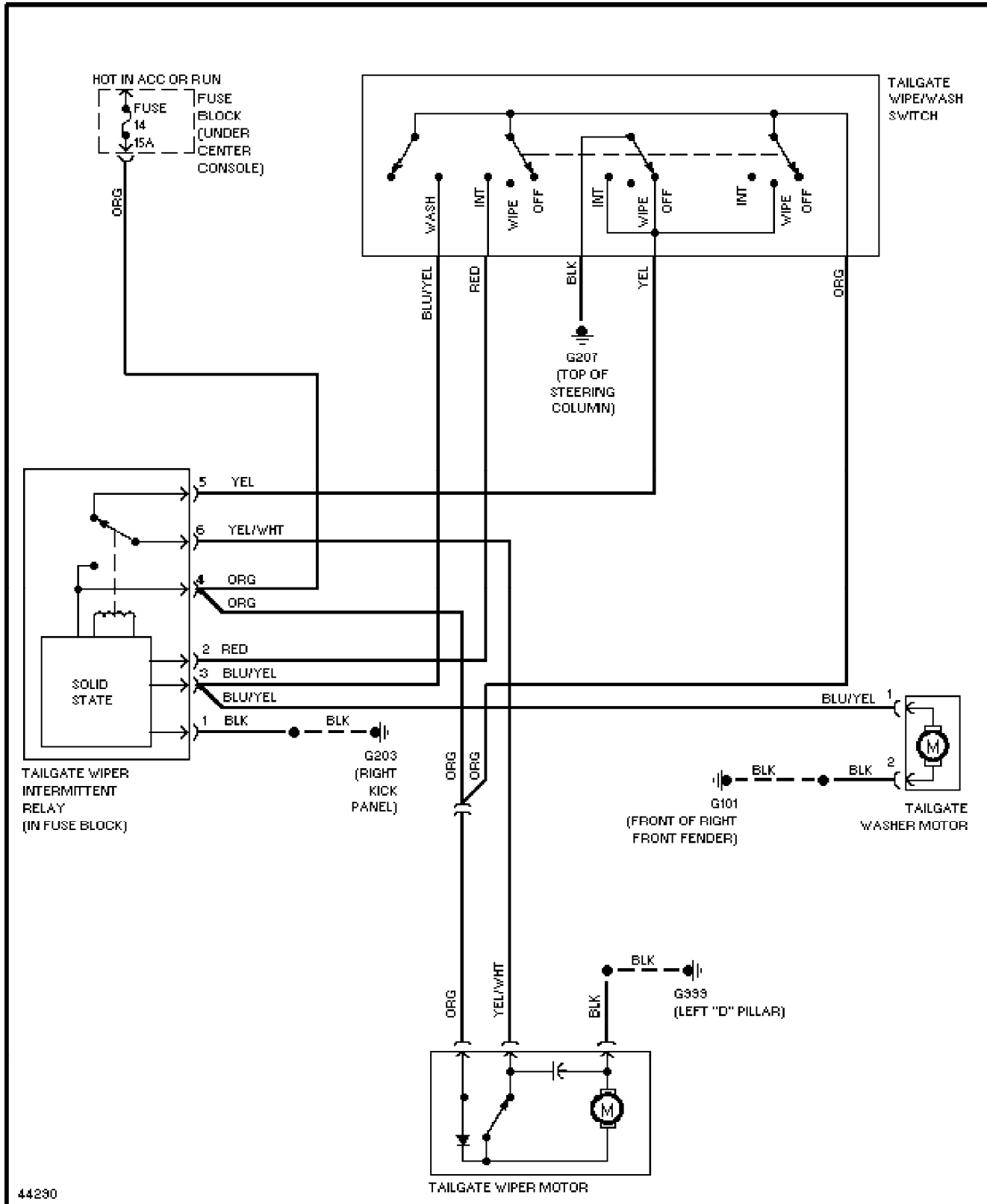
Rear Washer/Wiper Circuit

1993 Volvo 940

For x

Copyright © 1998 Mitchell Repair Information Company, LLC

Friday, July 23, 2004 11:56PM



SYSTEM WIRING DIAGRAMS

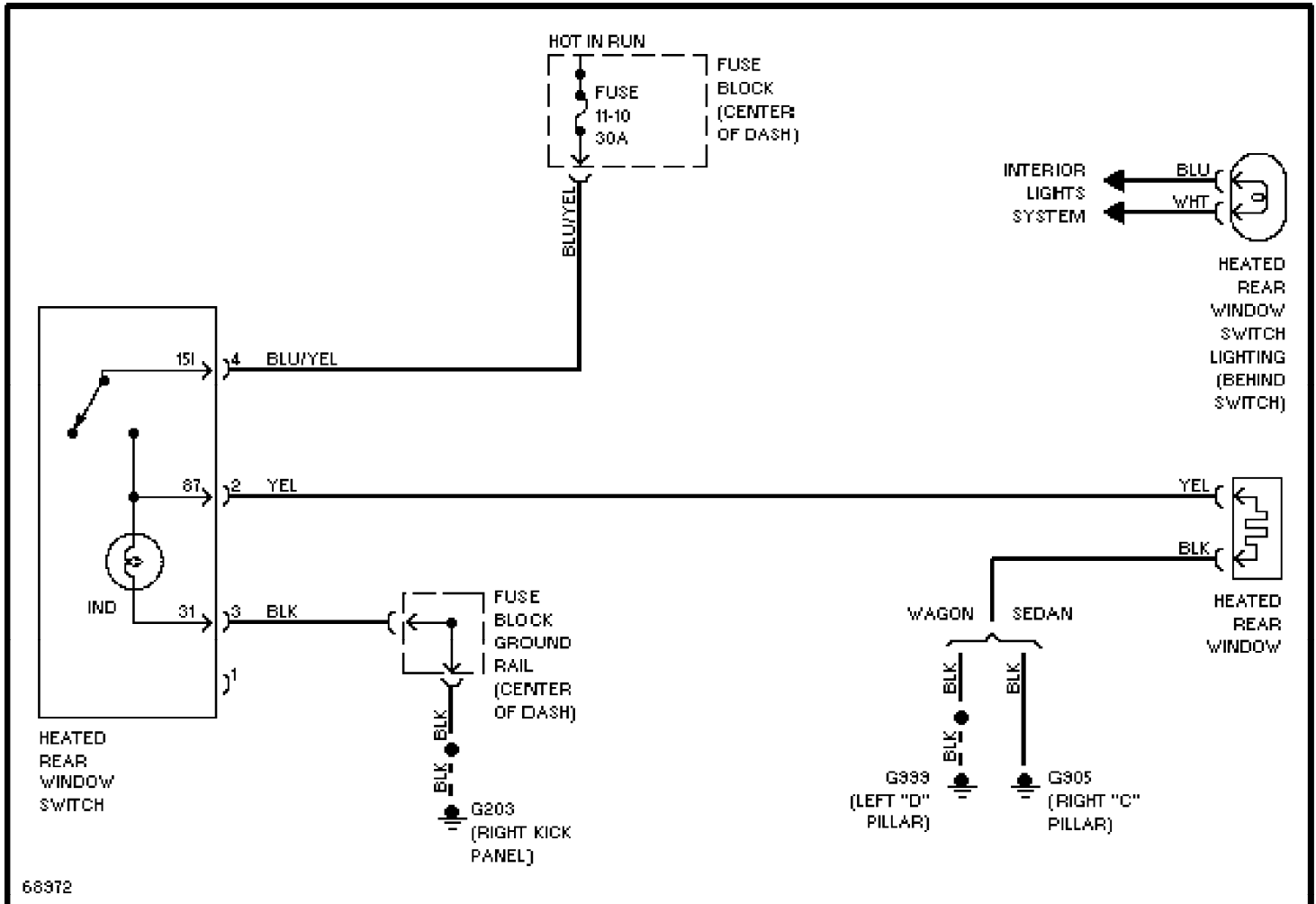
Defogger Circuit

1993 Volvo 940

For x

Copyright © 1998 Mitchell Repair Information Company, LLC

Friday, July 23, 2004 11:55PM



SYSTEM WIRING DIAGRAMS

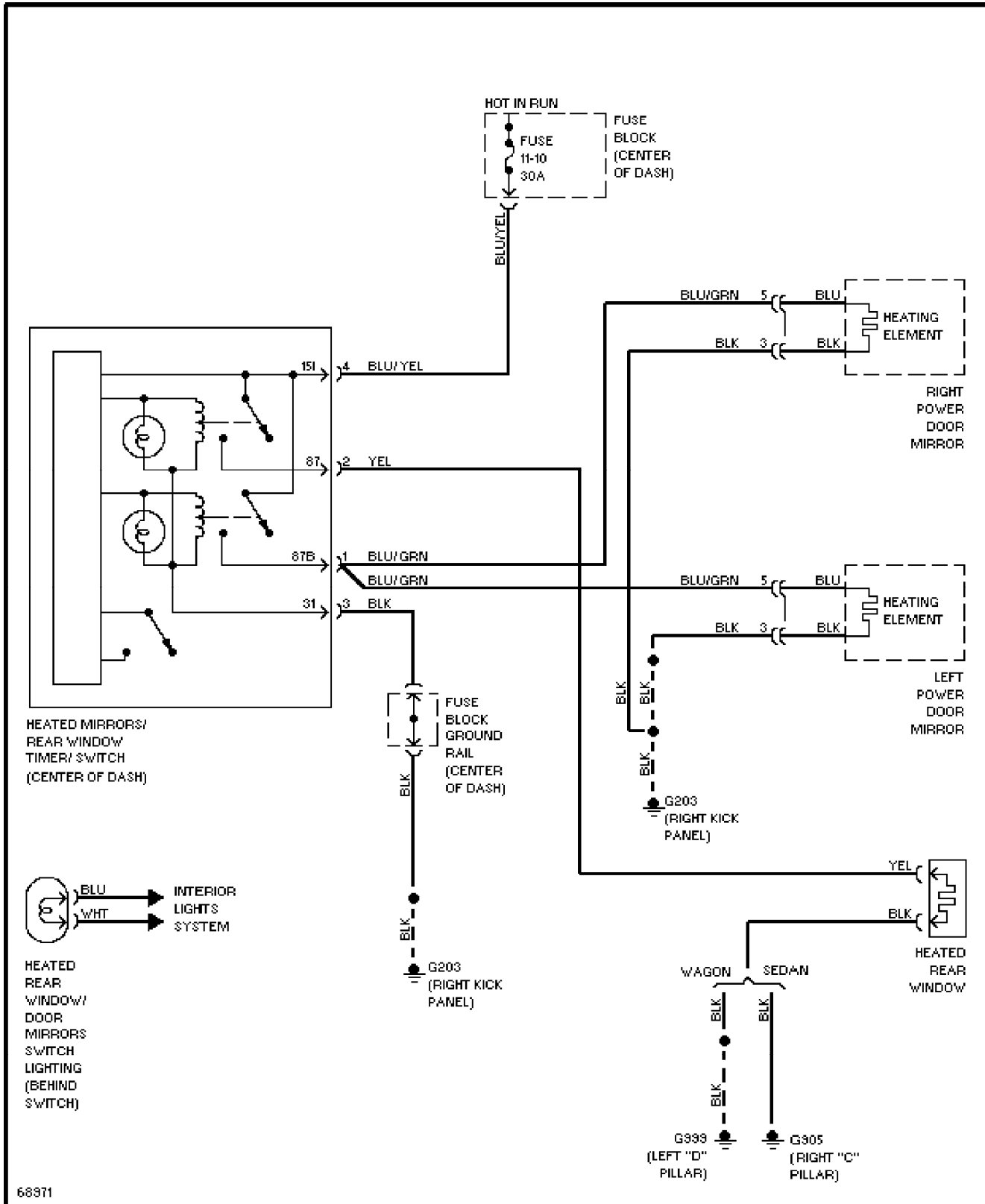
Rear Defogger & Heated Mirrors Circuit

1993 Volvo 940

For x

Copyright © 1998 Mitchell Repair Information Company, LLC

Friday, July 23, 2004 11:55PM



SYSTEM WIRING DIAGRAMS

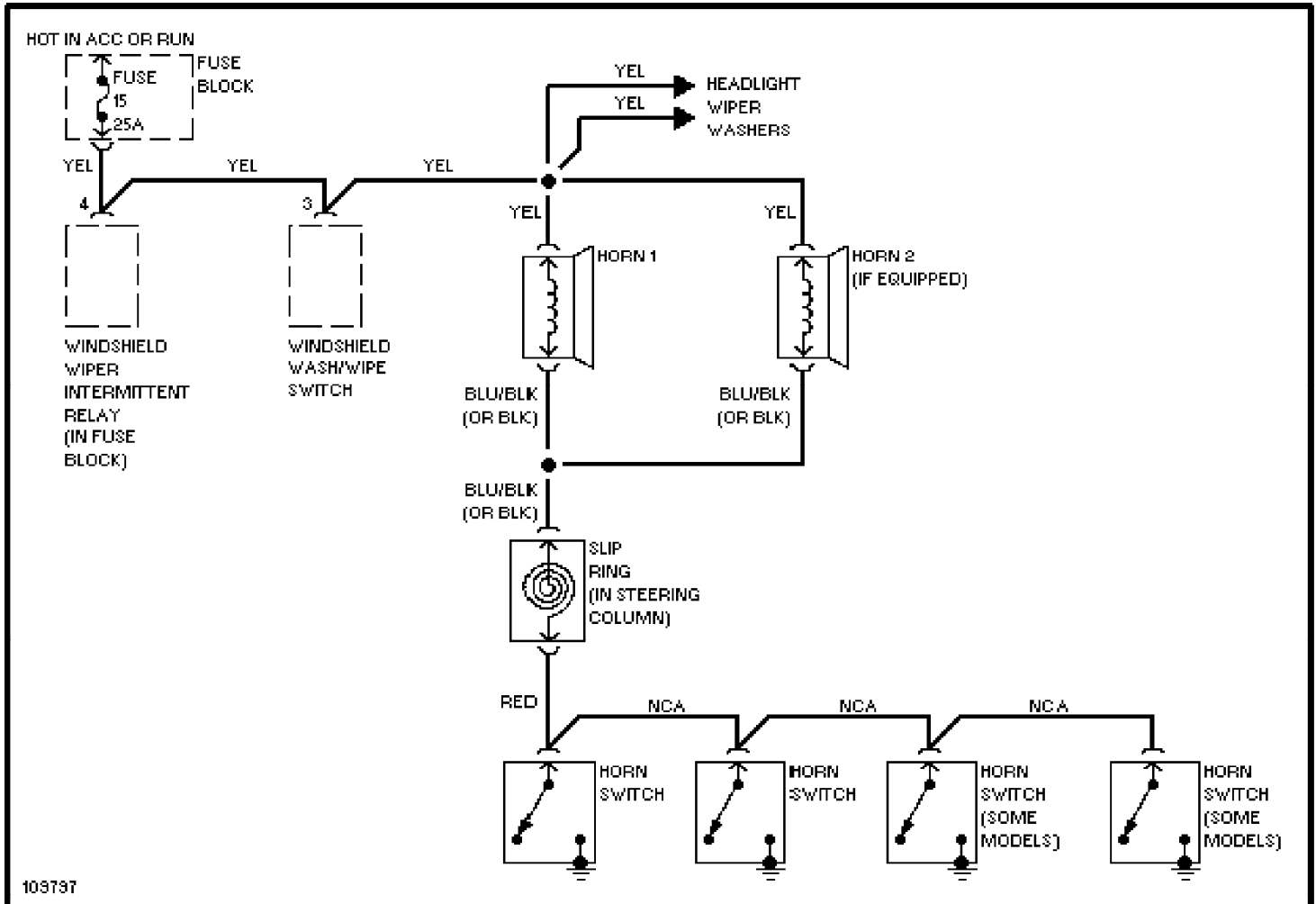
Horn Circuit

1993 Volvo 940

For x

Copyright © 1998 Mitchell Repair Information Company, LLC

Friday, July 23, 2004 11:55PM



SYSTEM WIRING DIAGRAMS

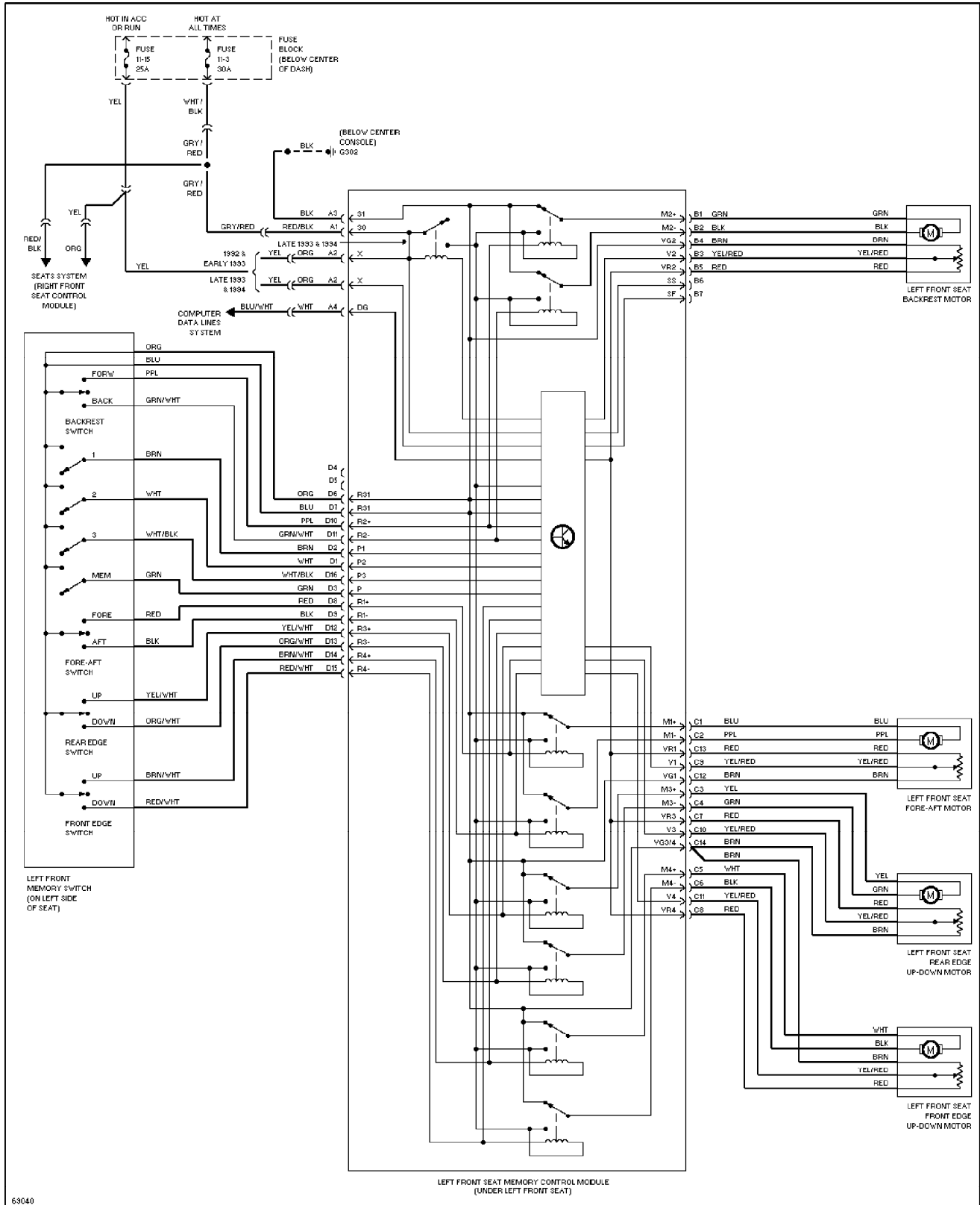
Memory Seat Circuit

1993 Volvo 940

For x

Copyright © 1998 Mitchell Repair Information Company, LLC

Friday, July 23, 2004 11:55PM



SYSTEM WIRING DIAGRAMS

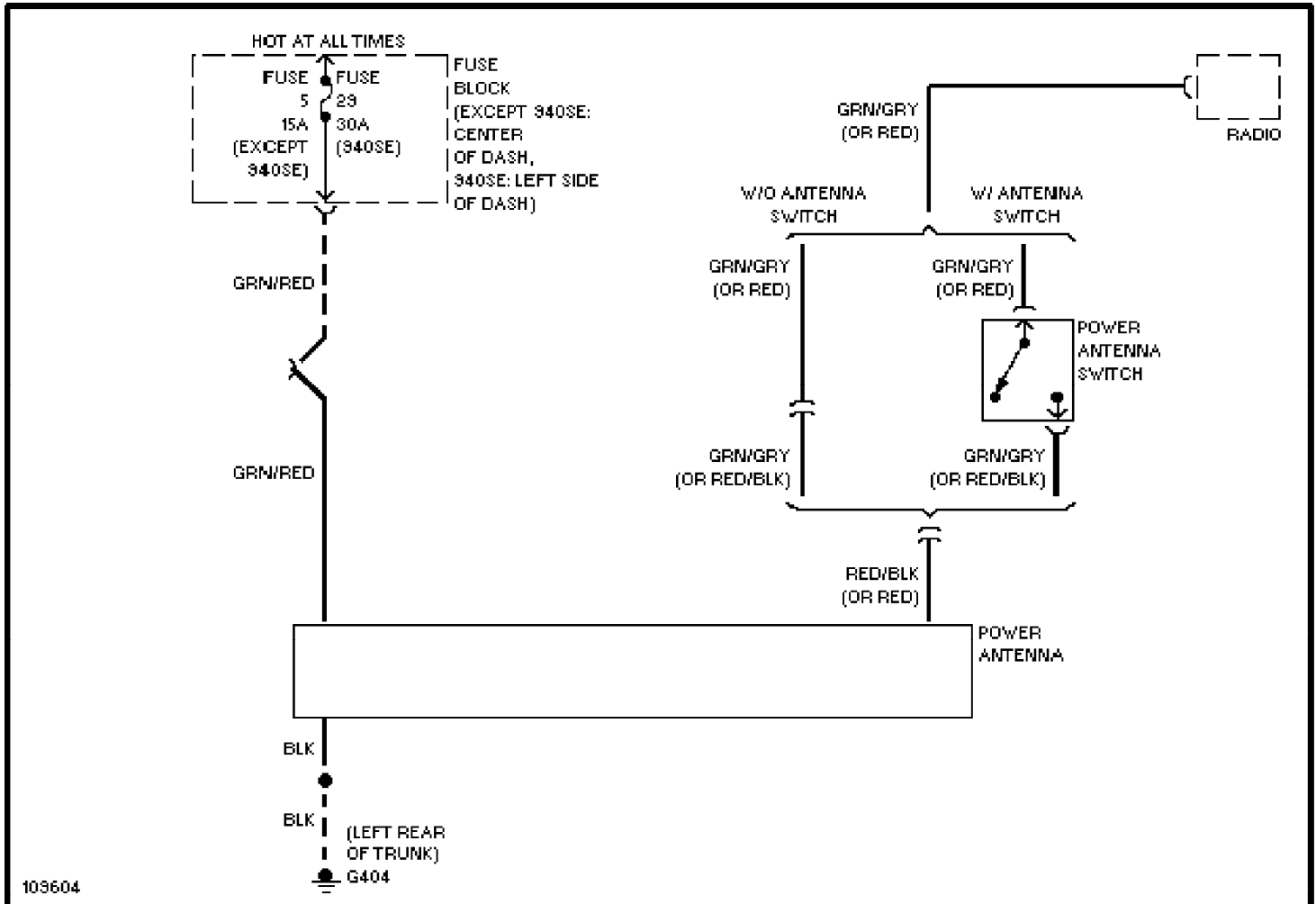
Power Antenna Circuit

1993 Volvo 940

For x

Copyright © 1998 Mitchell Repair Information Company, LLC

Friday, July 23, 2004 11:55PM



SYSTEM WIRING DIAGRAMS

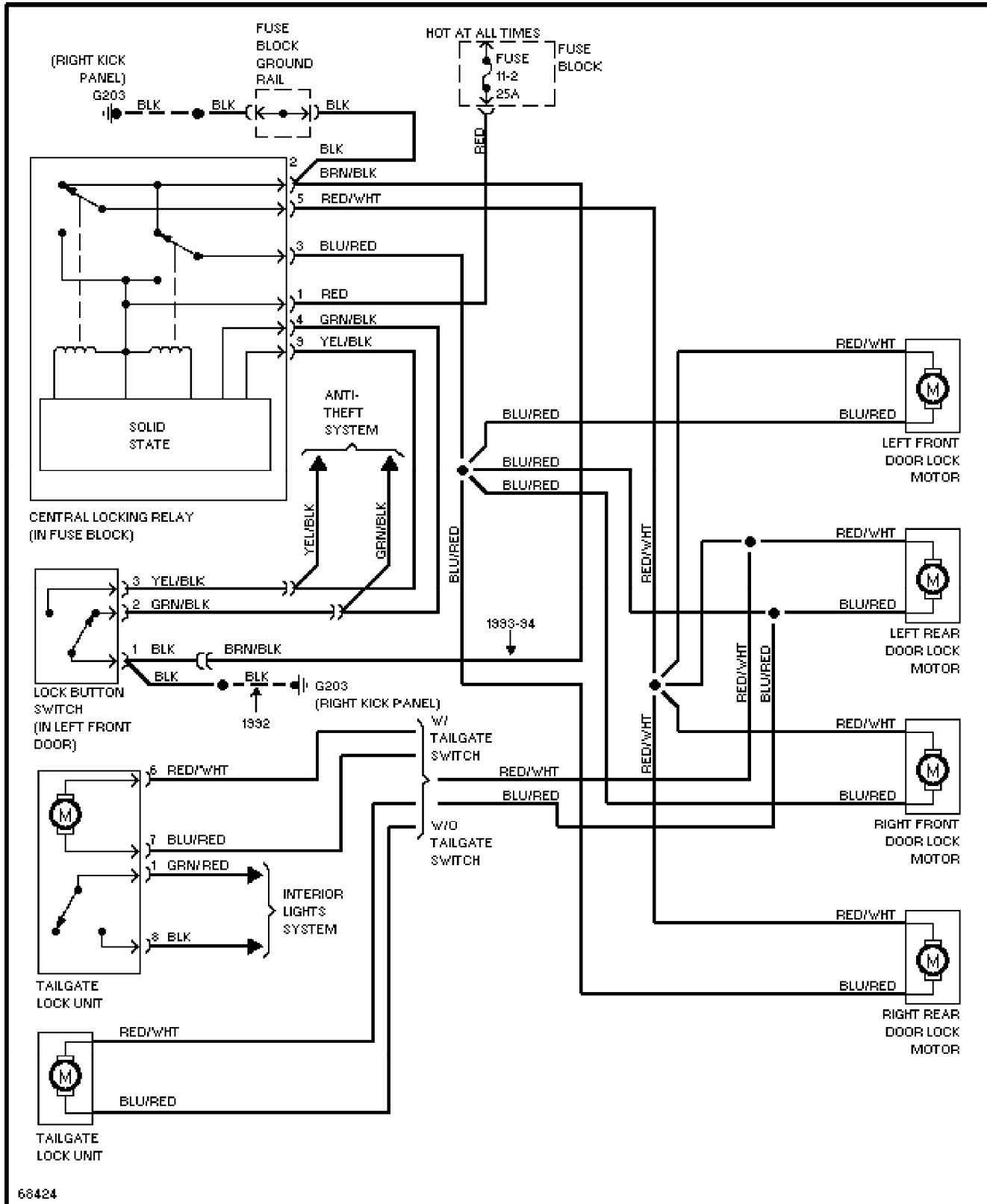
Power Door Lock Circuit

1993 Volvo 940

For x

Copyright © 1998 Mitchell Repair Information Company, LLC

Friday, July 23, 2004 11:55PM



SYSTEM WIRING DIAGRAMS

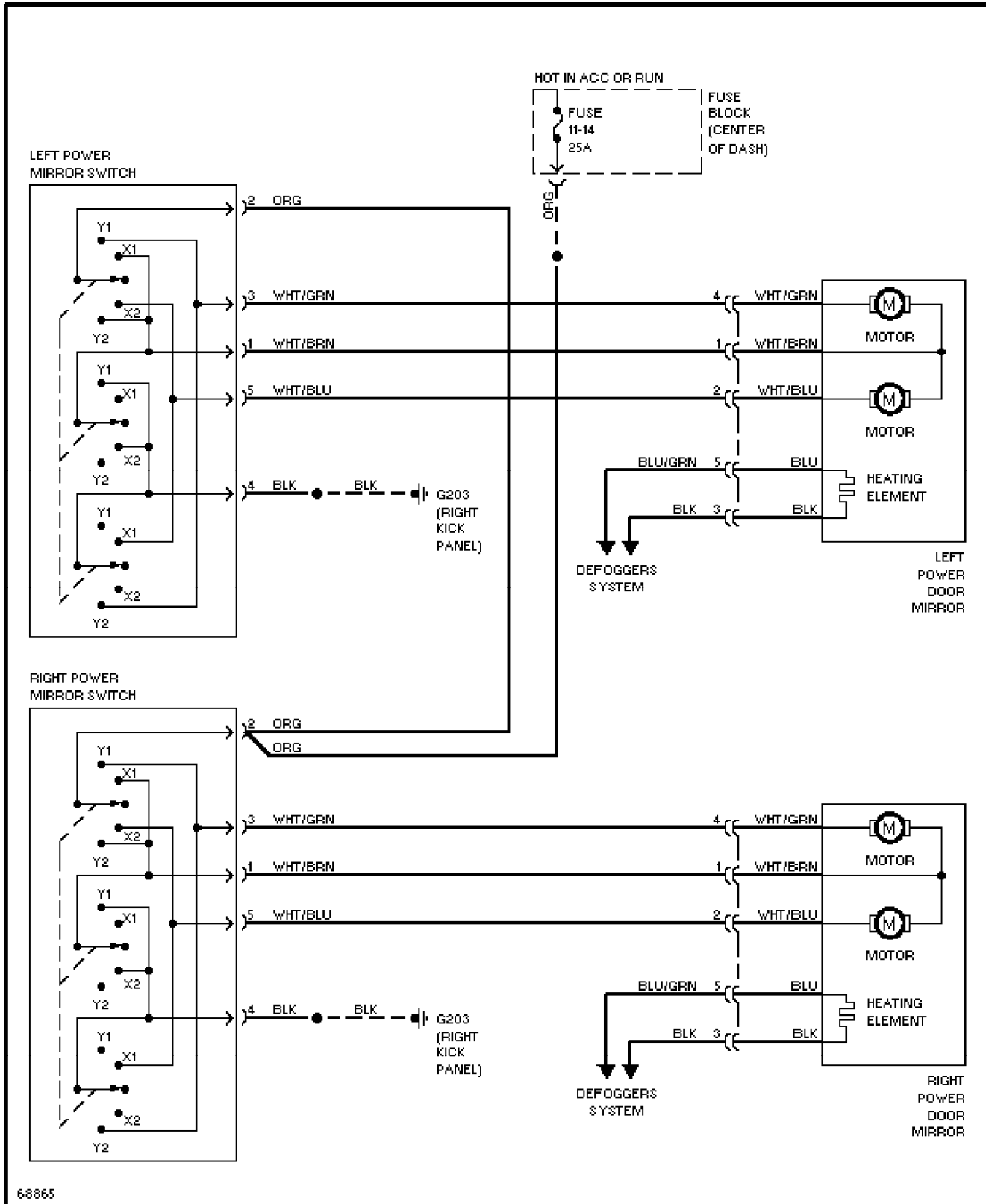
Power Mirror Circuit

1993 Volvo 940

For x

Copyright © 1998 Mitchell Repair Information Company, LLC

Friday, July 23, 2004 11:55PM

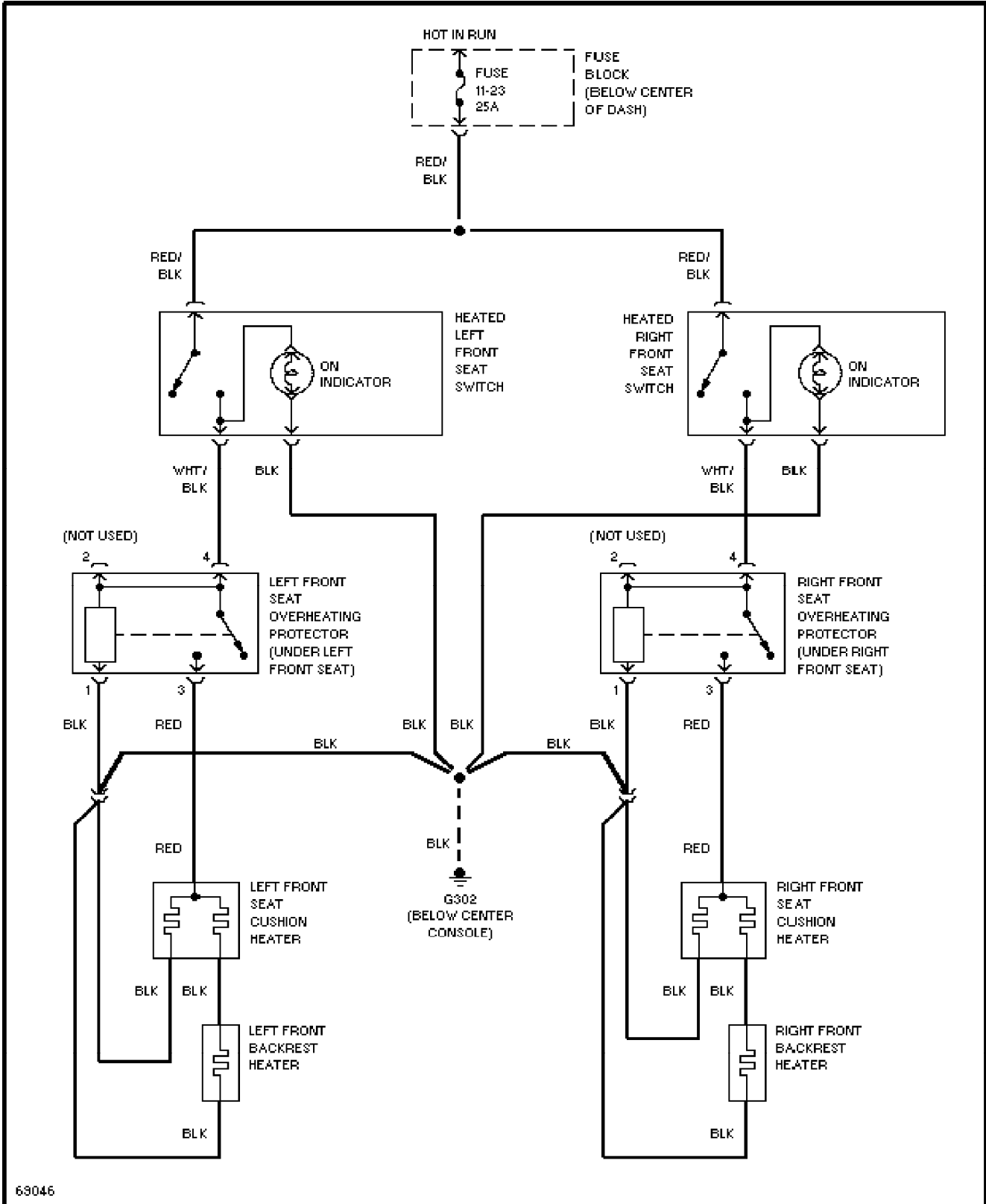


SYSTEM WIRING DIAGRAMS

Heated Seats Circuit, High Output

1993 Volvo 940

For x
 Copyright © 1998 Mitchell Repair Information Company, LLC
 Friday, July 23, 2004 11:55PM



SYSTEM WIRING DIAGRAMS

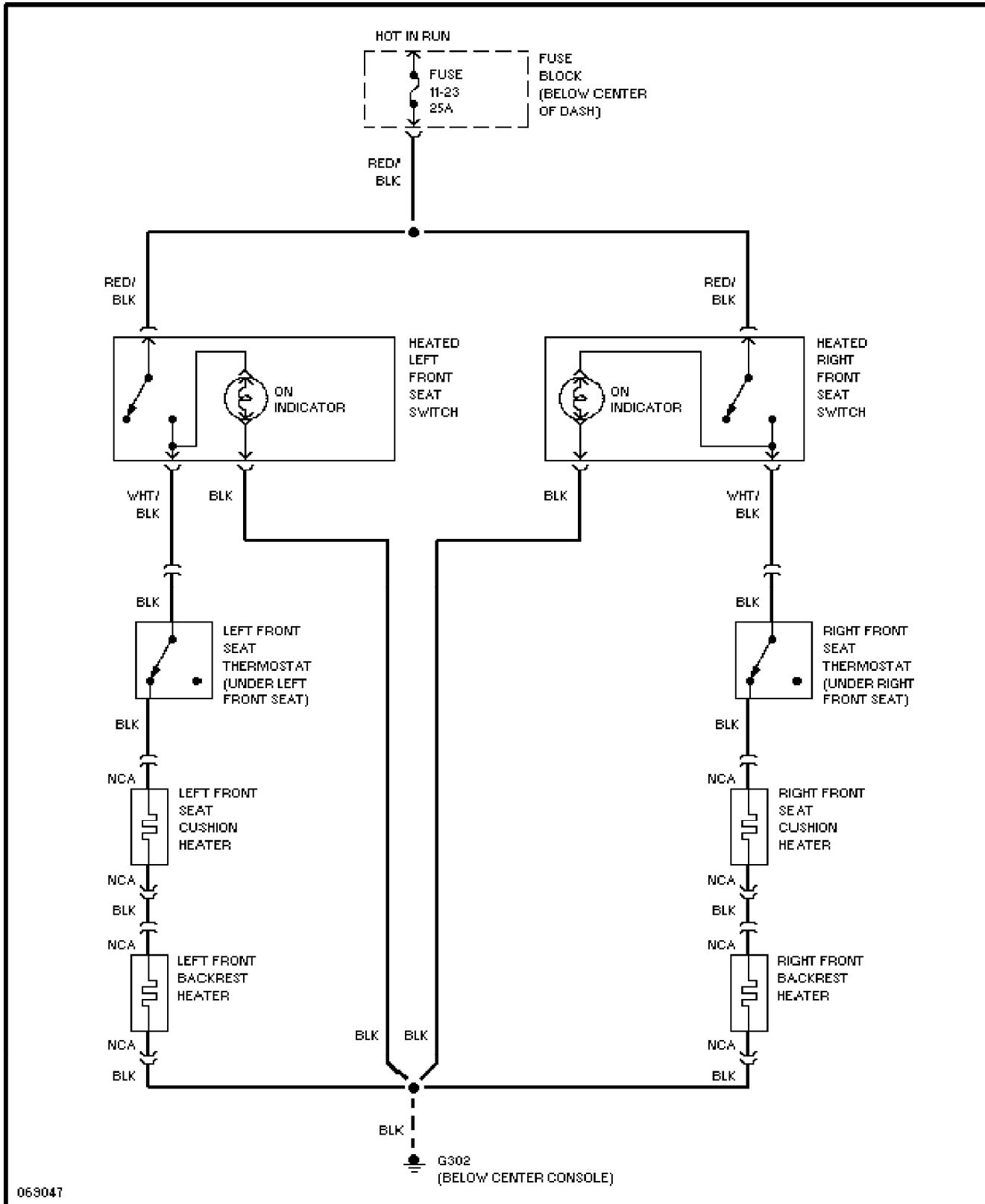
Heated Seats Circuit, Normal Output

1993 Volvo 940

For x

Copyright © 1998 Mitchell Repair Information Company, LLC

Friday, July 23, 2004 11:55PM



SYSTEM WIRING DIAGRAMS

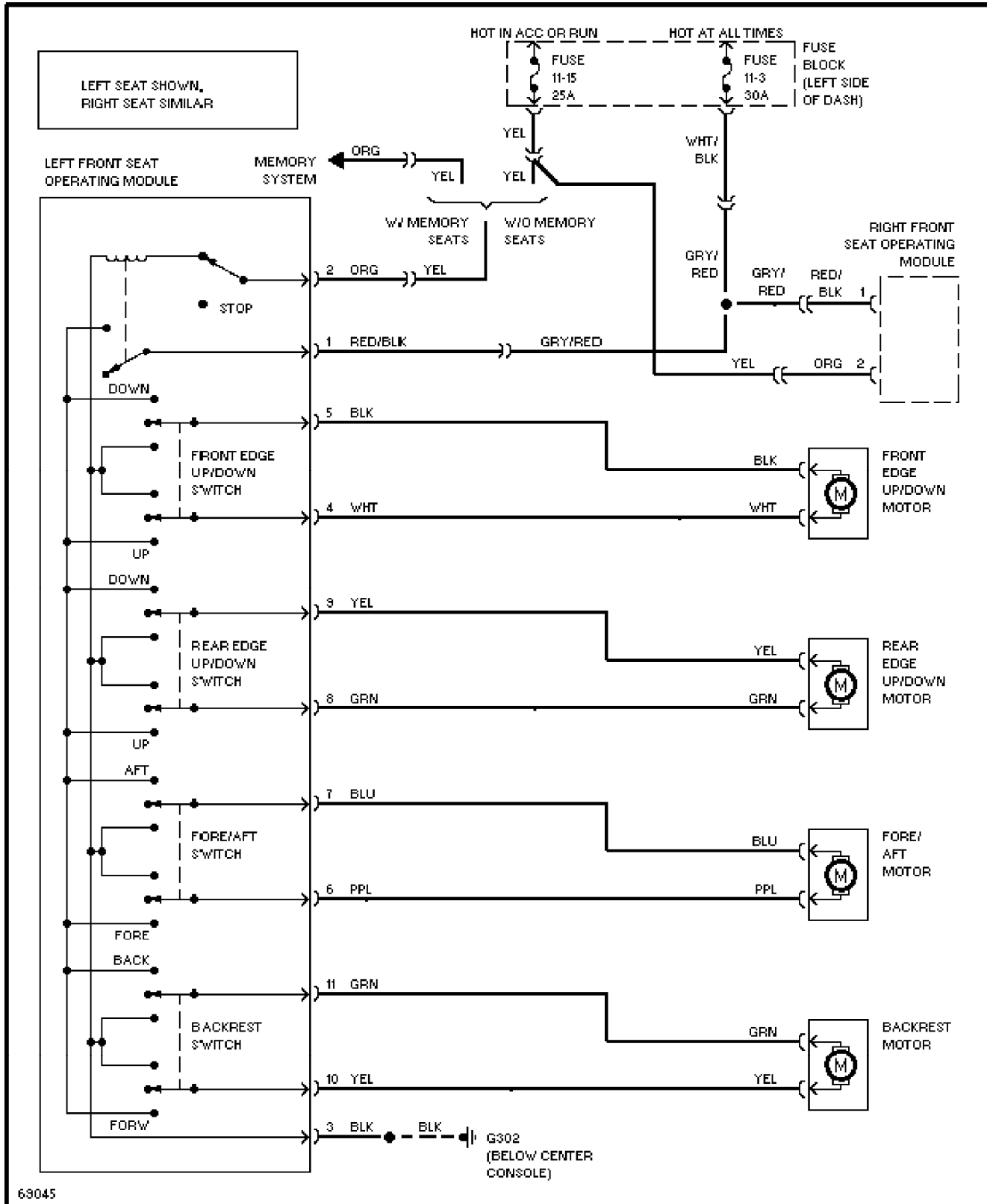
Power Seats Circuit

1993 Volvo 940

For x

Copyright © 1998 Mitchell Repair Information Company, LLC

Friday, July 23, 2004 11:56PM



SYSTEM WIRING DIAGRAMS

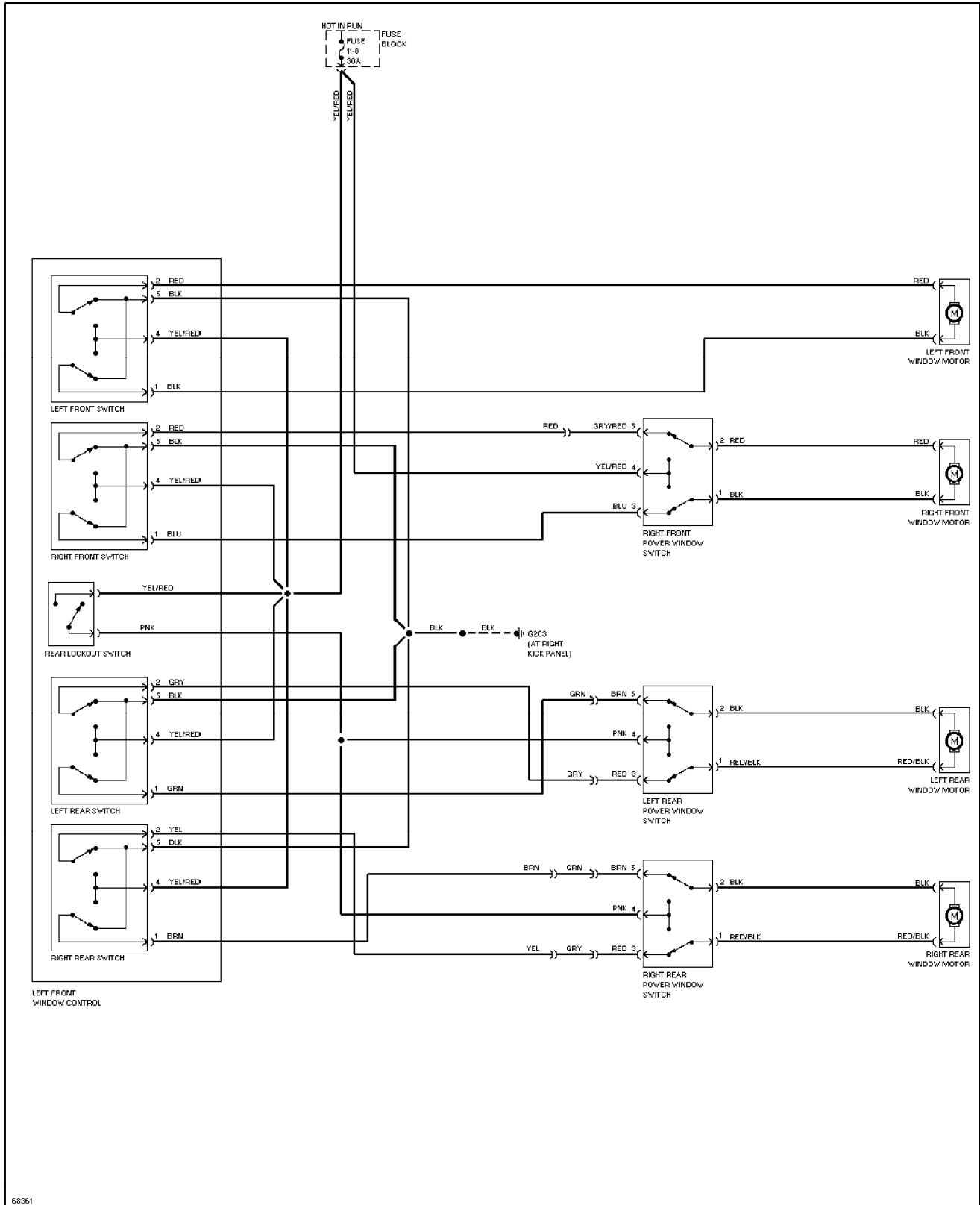
Power Window Circuit

1993 Volvo 940

For x

Copyright © 1998 Mitchell Repair Information Company, LLC

Friday, July 23, 2004 11:56PM



SYSTEM WIRING DIAGRAMS

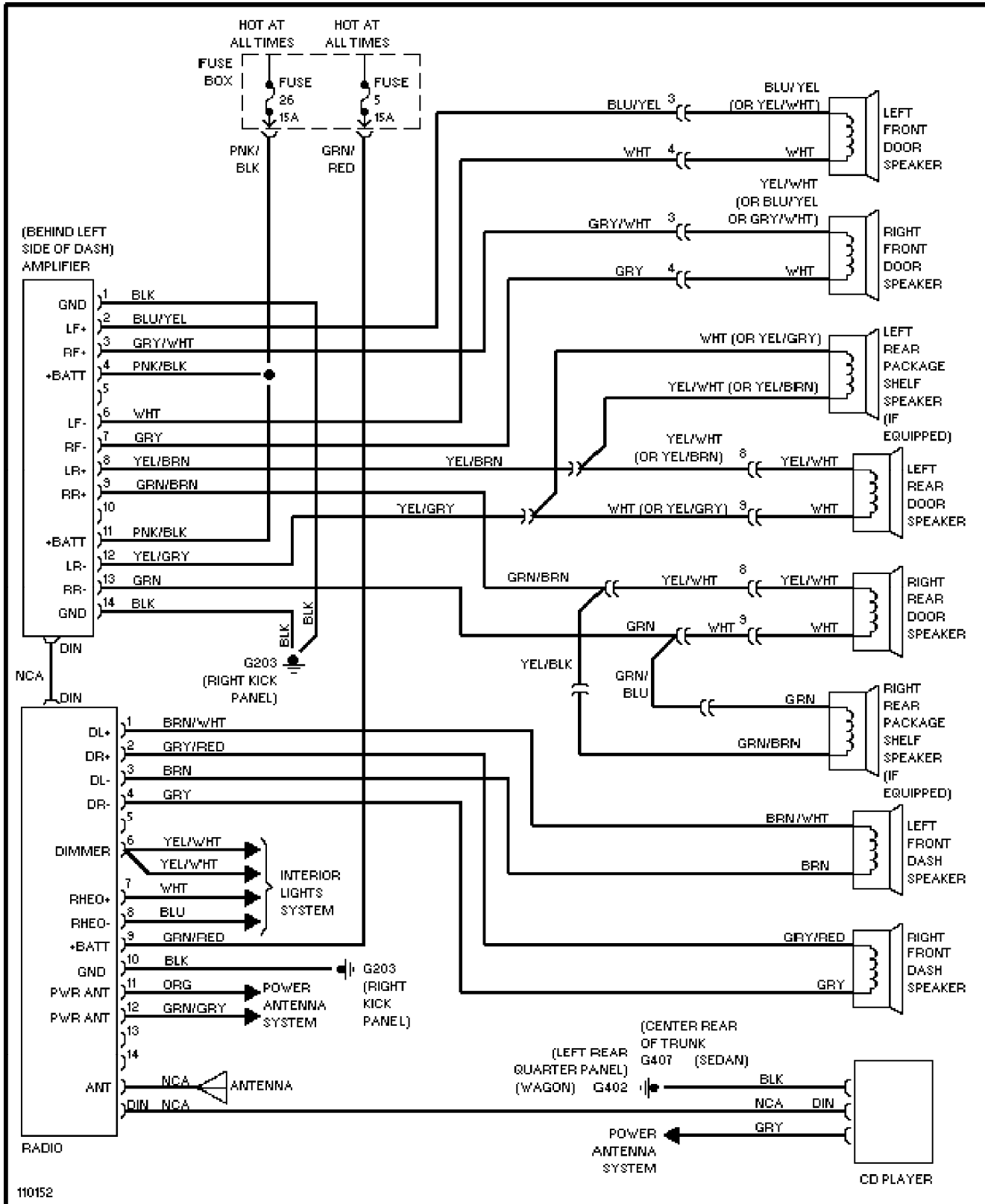
Radio Circuits

1993 Volvo 940

For x

Copyright © 1998 Mitchell Repair Information Company, LLC

Friday, July 23, 2004 11:56PM



SYSTEM WIRING DIAGRAMS

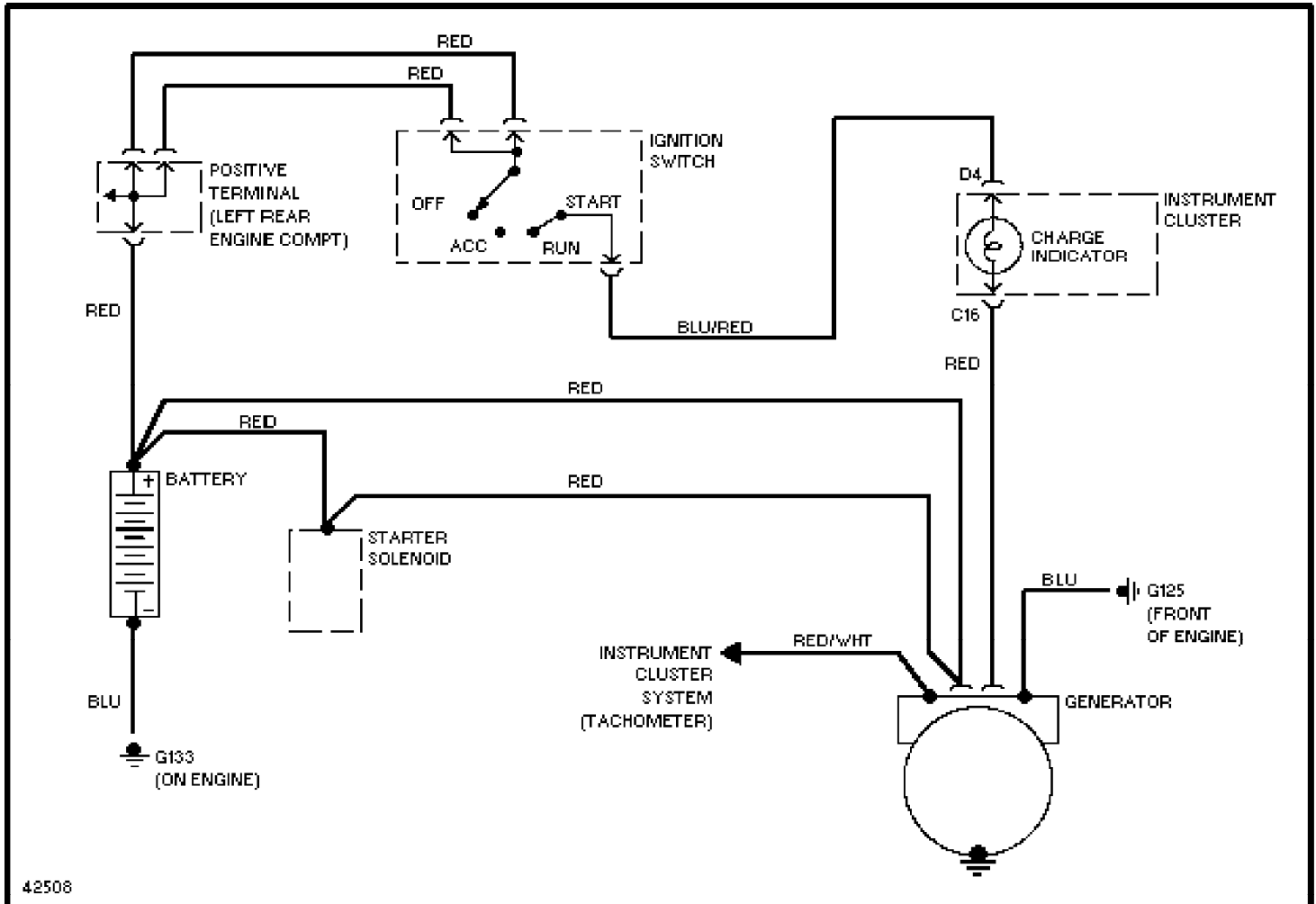
Charging Circuit

1993 Volvo 940

For x

Copyright © 1998 Mitchell Repair Information Company, LLC

Friday, July 23, 2004 11:56PM



SYSTEM WIRING DIAGRAMS

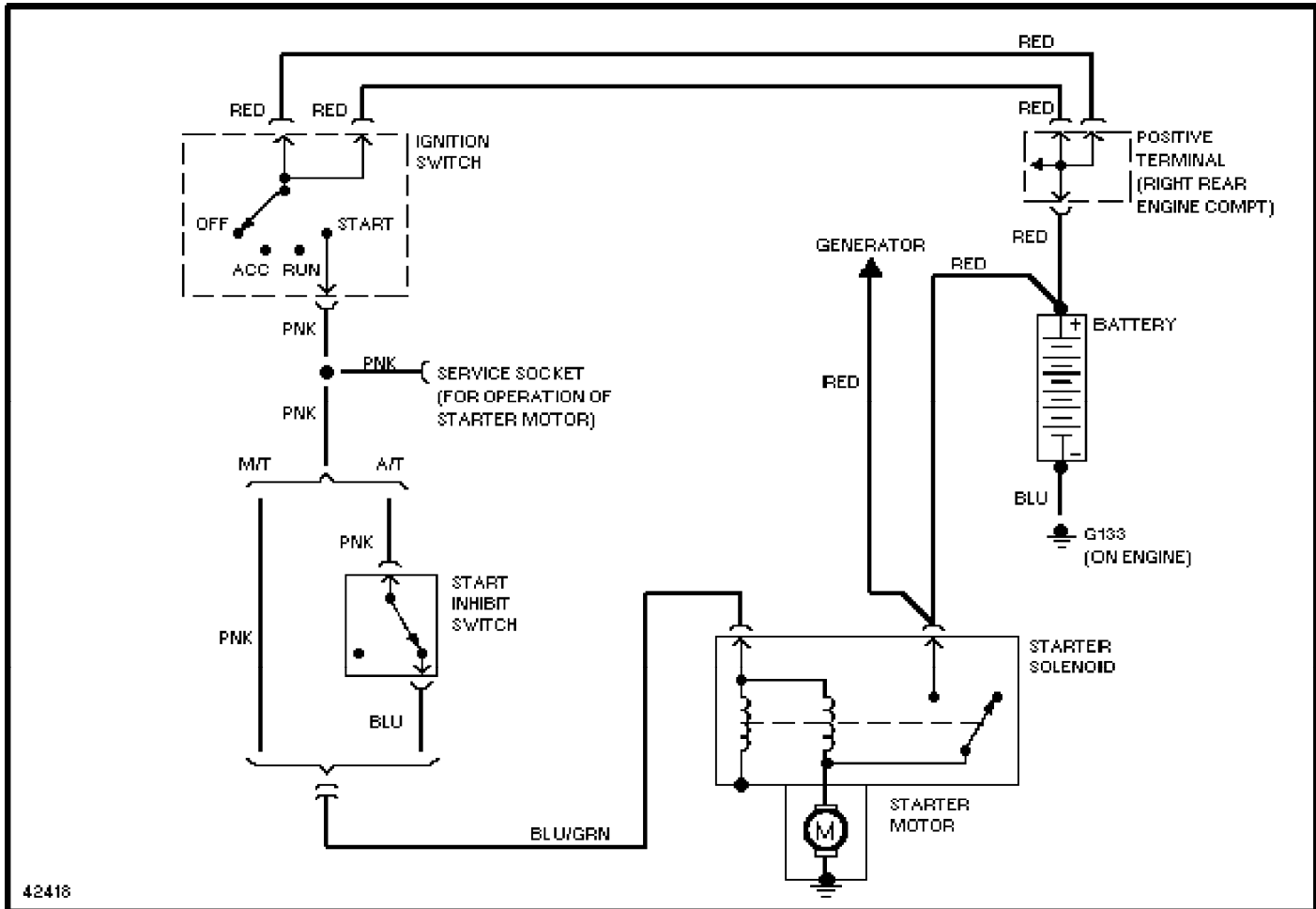
Starting Circuit

1993 Volvo 940

For x

Copyright © 1998 Mitchell Repair Information Company, LLC

Friday, July 23, 2004 11:56PM



SYSTEM WIRING DIAGRAMS

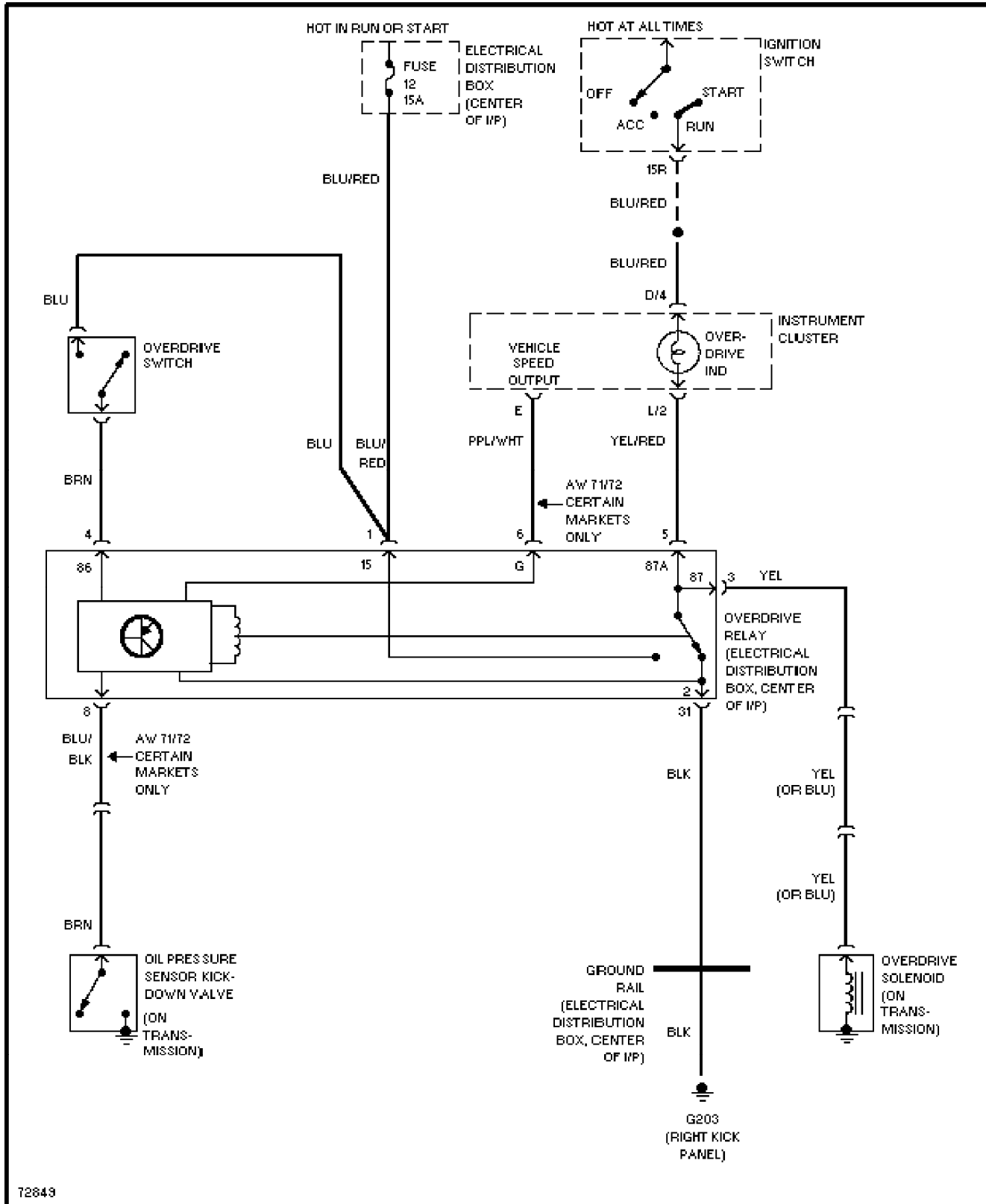
Overdrive Circuit, A/T

1993 Volvo 940

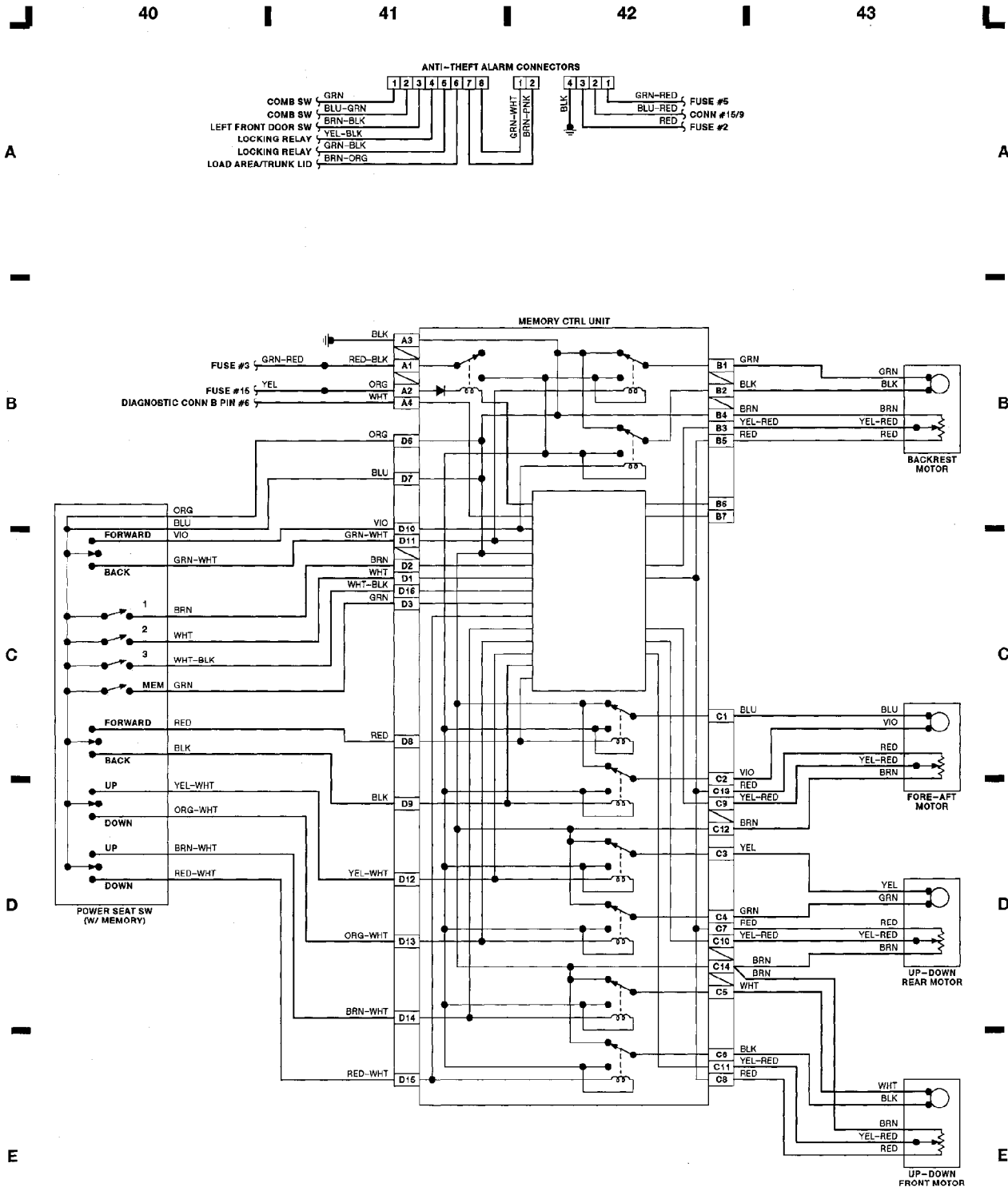
For x

Copyright © 1998 Mitchell Repair Information Company, LLC

Friday, July 23, 2004 11:56PM



WIRING DIAGRAMS
Fig. 11: Memory Control Unit, Pwr Seat Sw (w/ Memory) (Grid 40-43)
 1993 Volvo 940
 For x
 Copyright © 1998 Mitchell Repair Information Company, LLC
 Friday, July 23, 2004 11:59PM



WIRING DIAGRAMS

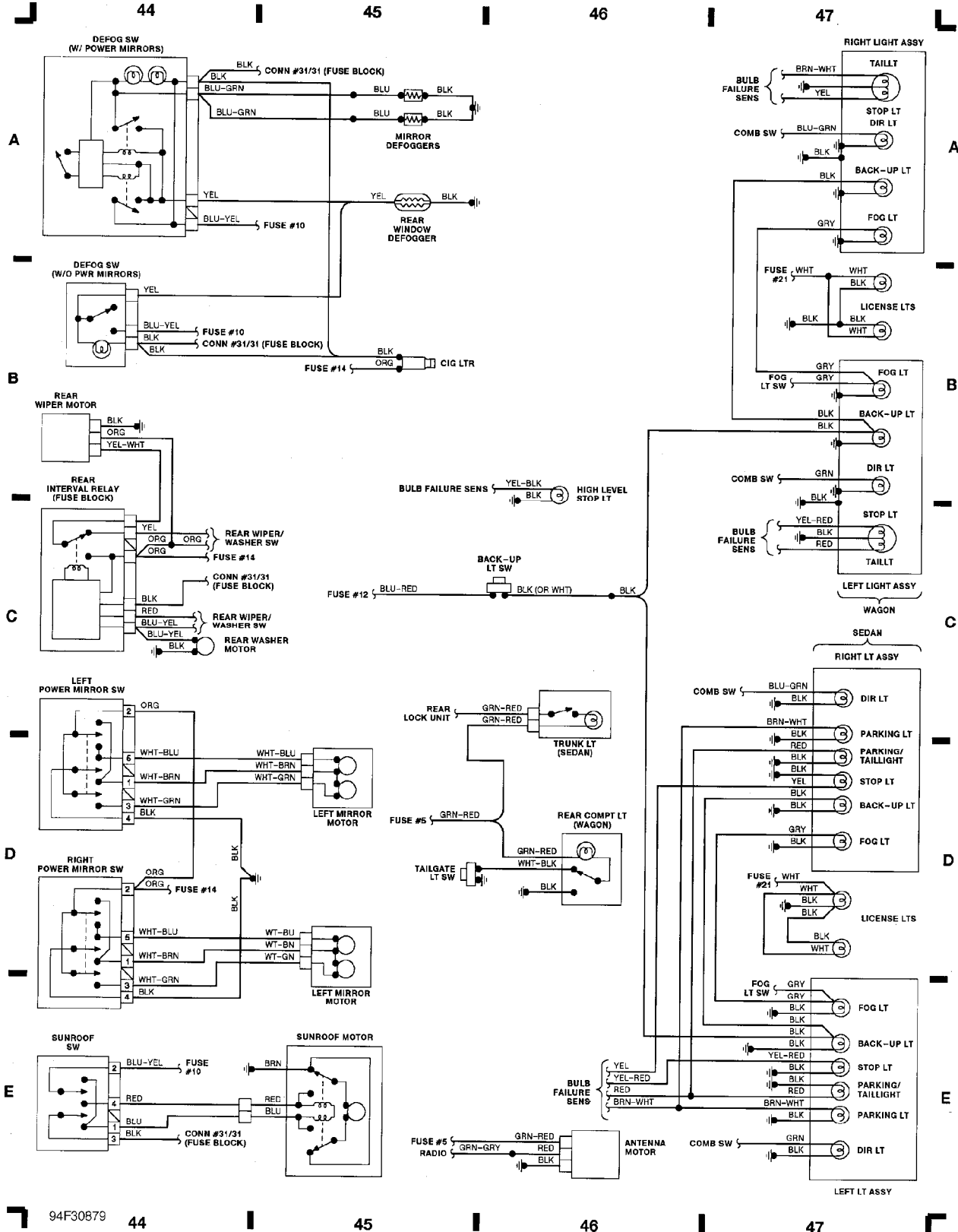
Fig. 12: Defogger Sw, Pwr Mirror/Sunroof Sw, Taillight (Grid 44-47)

1993 Volvo 940

For x

Copyright © 1998 Mitchell Repair Information Company, LLC

Friday, July 23, 2004 11:59PM



WIRING DIAGRAMS

Fig. 1: Engine Compartment, Headlights (Grid 1-3)

1993 Volvo 940

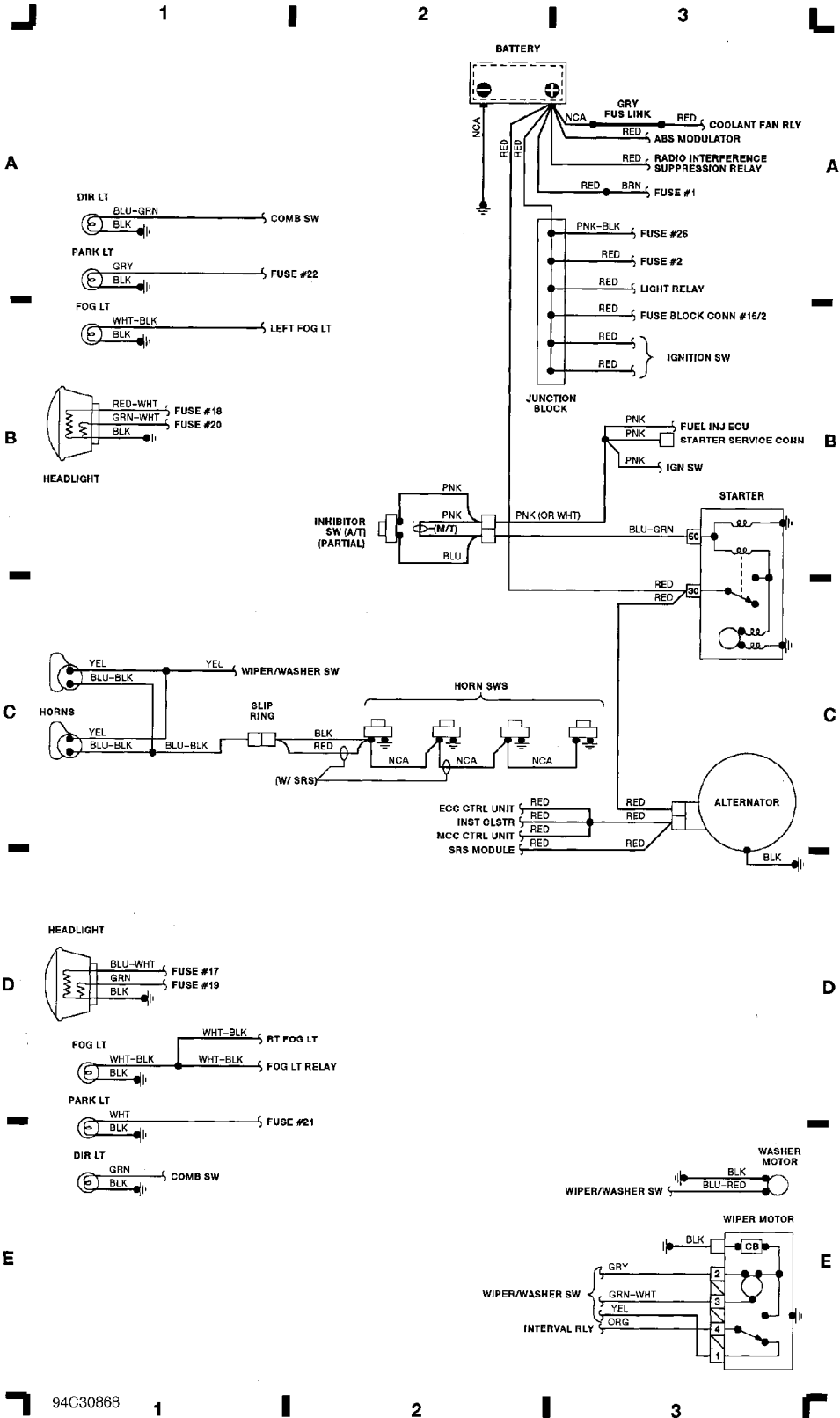
For x

Copyright © 1998 Mitchell Repair Information Company, LLC

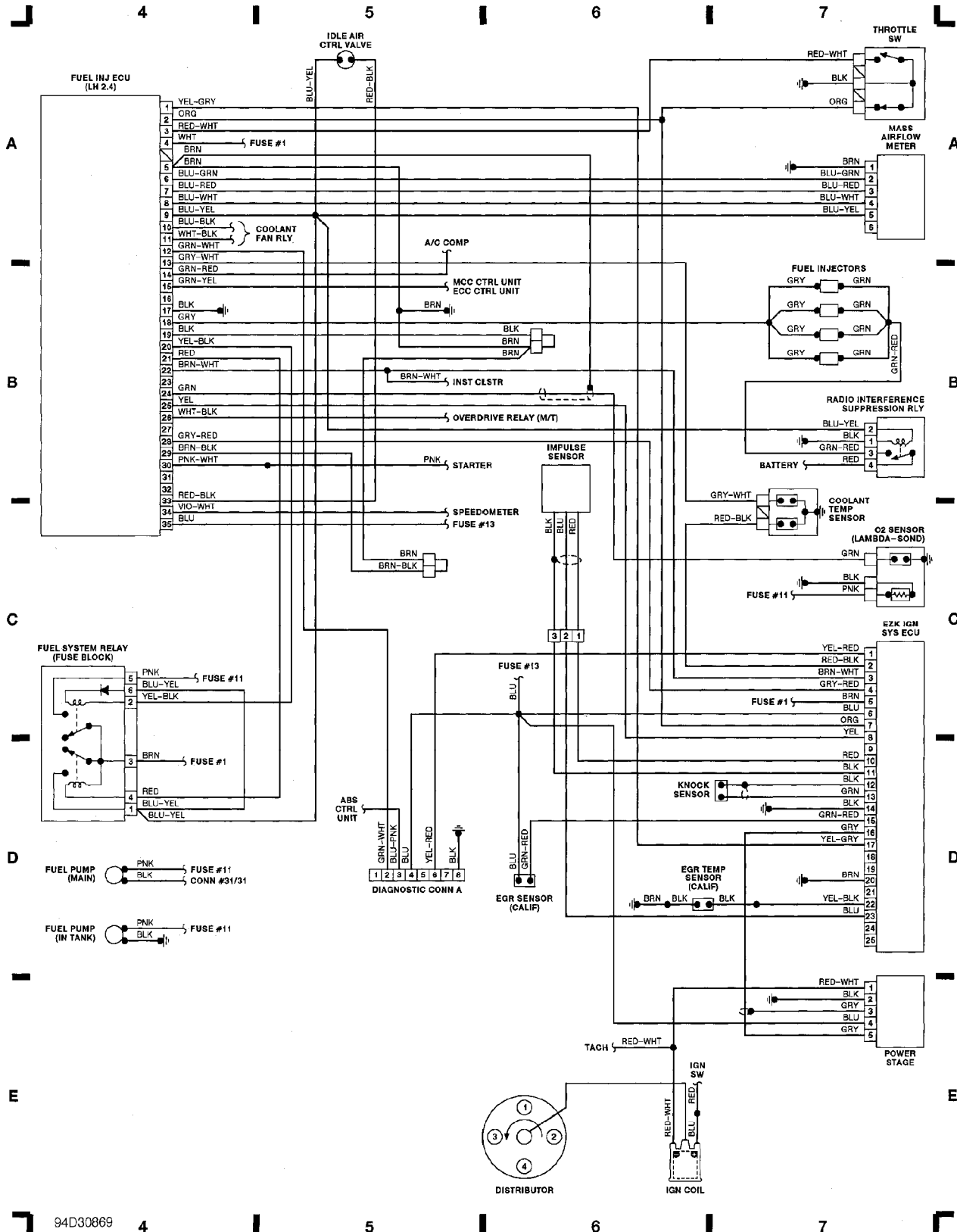
Friday, July 23, 2004 11:58PM

COMPONENT LOCATOR:

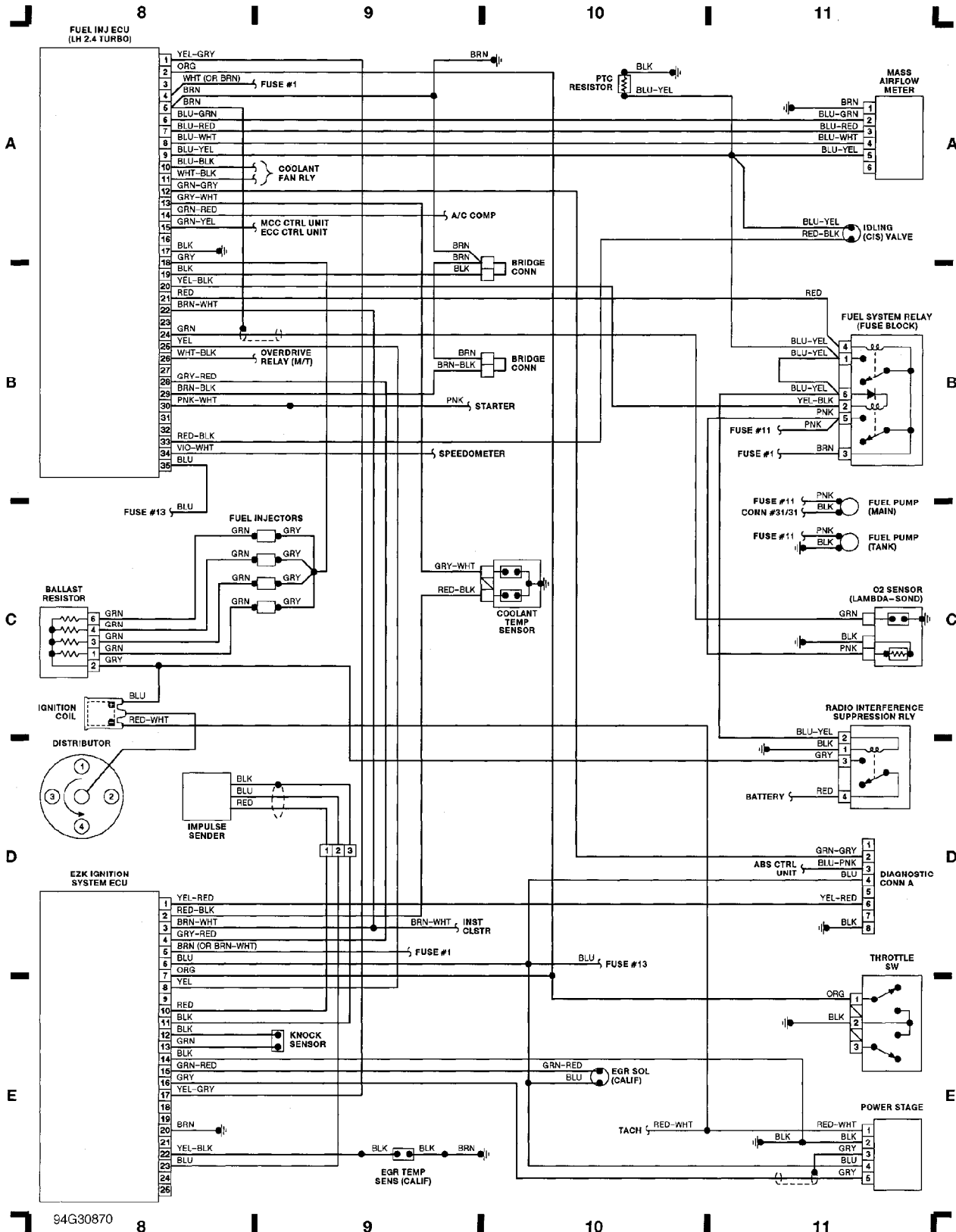
A/C COMPRESSOR	E 21
ALTERNATOR	C 3
AMBIENT TEMP GAUGE/SENSOR	A 19
ANTENNA MOTOR	E 46
ANTI-LOCK BRAKE SYSTEM (ABS)	A-B 29-31
ANTI-THEFT ALARM CONNECTORS	A 41-42
BACK-UP LT SW	C 45-46
BATTERY	A 2
BRAKE FLUID LEVEL SENSOR	B 35
BULB FAILURE SENSOR	E 24
CLG LIT	B 45
COMB SW	A-B 24
CONN #15/2	B 18-19
CONN #15/9	B 16-17
CONN #15/21	B 17-18
COOLANT FAN RELAY	A 18
COOLANT TEMP SENSOR	A 35
COURTESY LTS	C 24
COURSE CTRL SYSTEM	C-D 28-30
DEFOG SYSTEMS	A-B 44-45
DIAGNOSTIC CONN A (LH 2.4 TURBO)	D 11
DIAGNOSTIC CONN B (REGINA)	D 13
DIAGNOSTIC CONN C	E 29-30
DOOR LTS	D 24
DOOR SWS	C-D 25-26
ECC CTRL UNIT	C-E 23
ECC POWER UNIT	E 20
EZK IGNITION SYSTEM	D-E 8
EZK IGNITION SYSTEM ECU (LH 2.4 TURBO)	C-D 7
FLASHER RELAY	A 27
FOG LT SW/RELAY	D-E 28
FUEL INJECTOR ECM (LH 2.4 TURBO)	A-B 8
FUEL INJECTOR ECU (LH 2.4)	A-C 4
FUEL INJECTOR ECU (REGINA)	A-C 12
FUEL PUMP (REGINA)	D 12
FUEL PUMPS (LH 2.4 TURBO)	B-C 11
FUEL PUMPS (LH 2.4)	D 4
FUEL SENSOR	B 35
FUEL SYSTEM RELAY (LH 2.4 TURBO)	B 11
FUEL SYSTEM RELAY (LH 2.4)	C 4
FUEL SYSTEM RELAY (REGINA)	C 12
FUS LINK	A 3
FUSE & RELAY BLOCK (PARTIAL)	B-D 16-19
FUSE & RELAY BLOCK (PARTIAL)	A-B 22-23
FUSE AMP CHART	E 19
GLOVE BOX LTS/SW	E 25
HEATER CTRL SW	C 20
HI PRES SENSOR	A 17
HORN SWS	E 2
IGNITION COIL (LH 2.4)	E 6
IGNITION SW	E 16
IGNITION SYSTEM ECU (REGINA)	C-D 15
INHIBITOR SW	B-C 12
INSTRUMENT CLUSTER	A-E 32-33
INSTRUMENT PANEL SW	D-E 34-35
ILLUMINATION LTS	C 27
INTERVAL RELAY (FRONT WIPERS)	C 44
INTERVAL RELAY (REAR WIPERS)	C 44
JUNCTION BLOCK	A-B 2-3
LIGHT RELAY	A-B 27
LIGHT SW	A-B 27
LO PRES SENSOR	A 17
MCC CTRL UNIT	B-C 23
MEMORY CONTROL UNIT	B-E 40-43
O2 SENSOR (LH 2.4)	C 7
O2 SENSOR (REGINA)	C 15
OIL PRES SENSOR	C 35
OVERDRIVE SYSTEM	A-B 20-21
PARK BRAKE SW	B 55
POWER DOOR LOCKS	D-E 38-39
POWER MIRRORS	C-D 44-45
POWER SEAT SW	B-D 39
POWER STAGE (LH 2.4 TURBO)	E 11
POWER WINDOW/HEATED SEAT RELAY	B-C 20
POWER WINDOWS	D-E 36-37
RADIO INTERFERENCE SUPPRESSION RELAY (LH 2.4 TURBO)	C-D 11
RADIO INTERFERENCE SUPPRESSION RELAY (LH 2.4)	B 7
RADIO INTERFERENCE SUPPRESSION RELAY (REGINA)	B 15
REAR SEAT BELT SW/LT	A 37-38
REX POWER STAGE/IGNITION COIL (REGINA)	E 19
RHEOSTAT & CLOCK ADJUSTER	C-D 35
SEAT BELT REMINDER	A 36
SEAT HEATER SWS	B-C 38, A-B 38-39
SHIFT LOCK RELAY	E 31
SHIFT LOCK SOL	E 31
SPEED SENSOR	C 35
SPEED WARN CHIME	D 34
SRS SENSOR MODULE	C-D 31
STARTER	B-C 3
STOP LT SW	D 28
SUNROOF SW	E 44-45
THERMOSTAT	A 17
TRANSIENT SURGE PROTECTOR	B 26
TRUNK/REAR COMPARTMENT LTS	C-D 46
VANITY MIRROR LTS	E 28
WASHER FLUID LEVEL SENSOR	C 35
WIPER/WASHER SW (FRONT)	D-E 3
WIPER/WASHER SW (REAR)	D-E 27



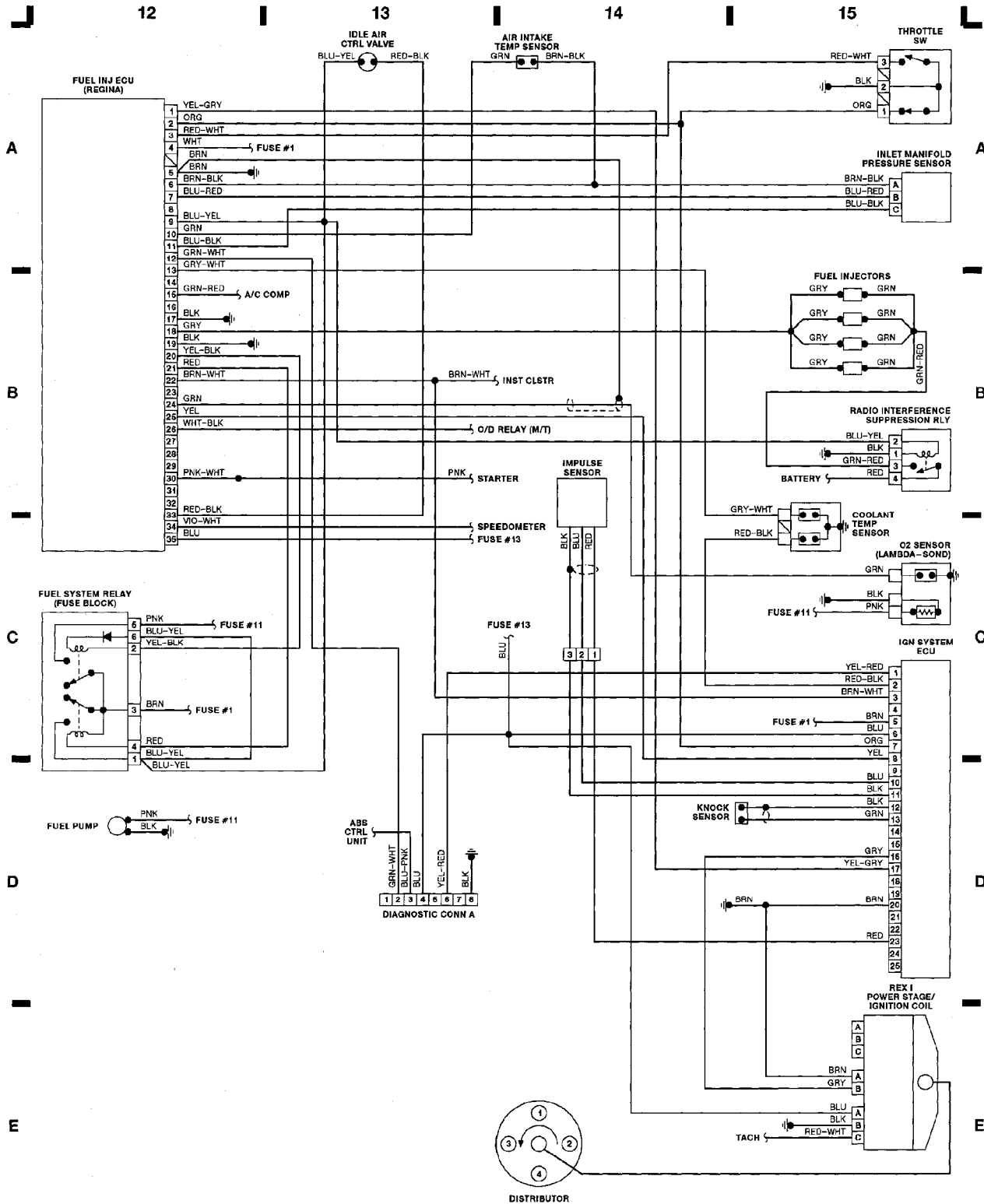
WIRING DIAGRAMS
Fig. 2: Fuel Inj Ecu (LH 2.4), Ignition Coil (Grid 4-7)
 1993 Volvo 940
 For x
 Copyright © 1998 Mitchell Repair Information Company, LLC
 Friday, July 23, 2004 11:59PM



WIRING DIAGRAMS
Fig. 3: Fuel Inj Ecu (LH 2.4 Turbo) (Grid 8-11)
 1993 Volvo 940
 For x
 Copyright © 1998 Mitchell Repair Information Company, LLC
 Friday, July 23, 2004 11:59PM



WIRING DIAGRAMS
Fig. 4: Fuel Inj Ecu (Regina), Ign Sys ECU (Grid 12-15)
 1993 Volvo 940
 For x
 Copyright © 1998 Mitchell Repair Information Company, LLC
 Friday, July 23, 2004 11:59PM



WIRING DIAGRAMS

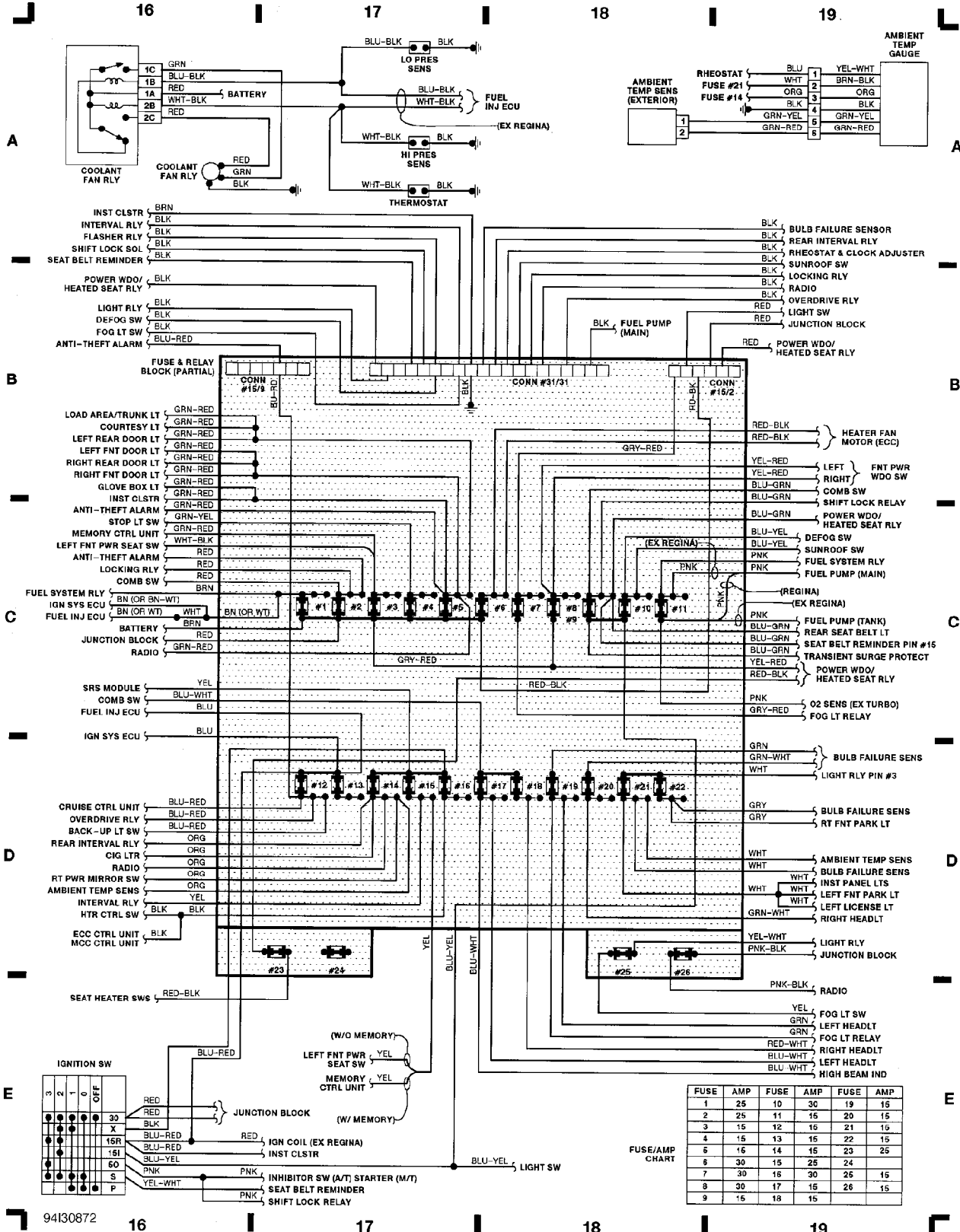
Fig. 5: Fuse & Relay Block (Partial), Ignition Sw (Grid 16-19)

1993 Volvo 940

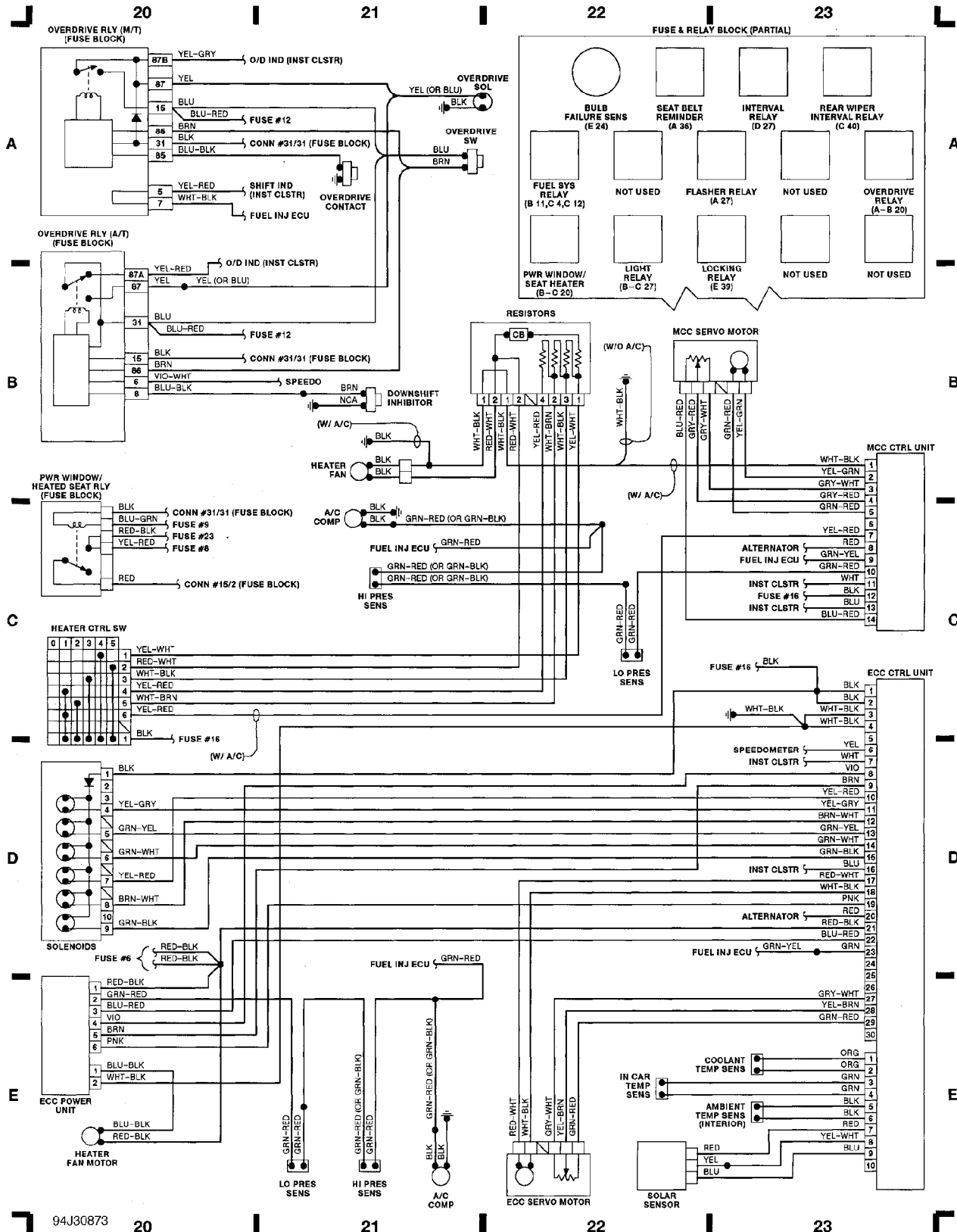
For x

Copyright © 1998 Mitchell Repair Information Company, LLC

Friday, July 23, 2004 11:59PM



WIRING DIAGRAMS
Fig. 6: ECC Control Unit, MCC Control Unit (Grid 20-23)
 1993 Volvo 940
 For x
 Copyright © 1998 Mitchell Repair Information Company, LLC
 Friday, July 23, 2004 11:59PM



WIRING DIAGRAMS

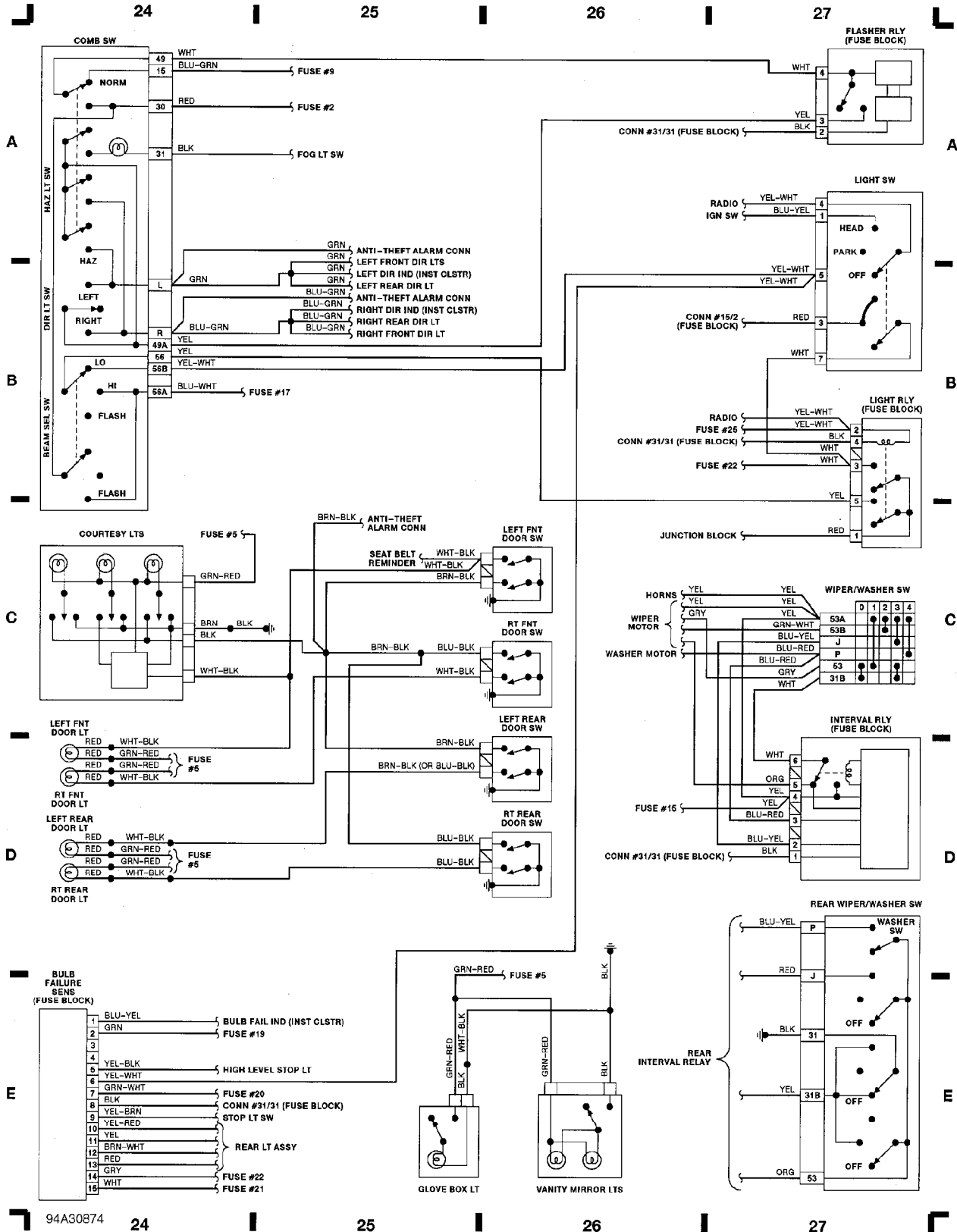
Fig. 7: Combo Switch, Courtesy Lights, Light Relay (Grid 24-27)

1993 Volvo 940

For x

Copyright © 1998 Mitchell Repair Information Company, LLC

Friday, July 23, 2004 11:59PM



WIRING DIAGRAMS

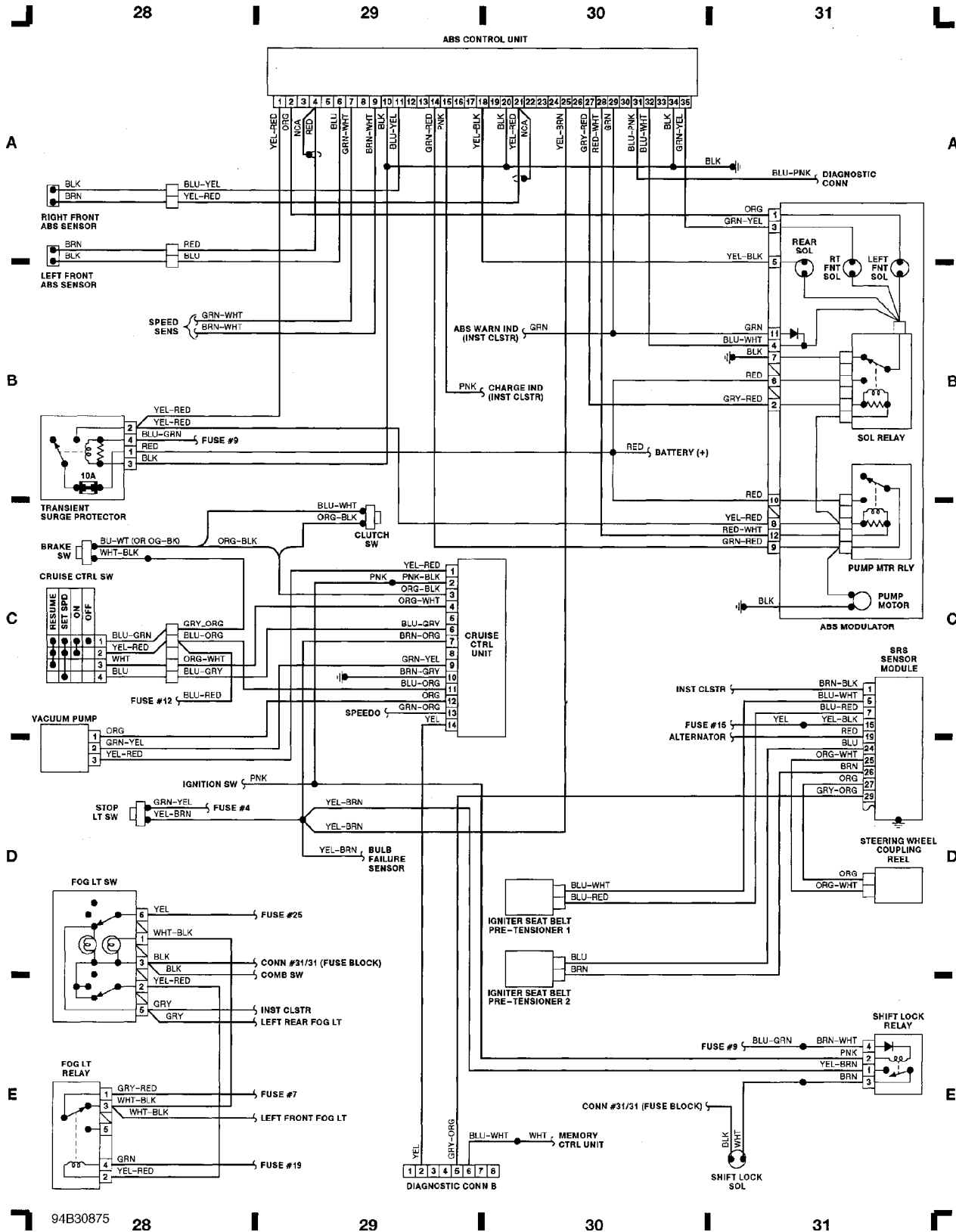
Fig. 8: ABS Control Unit, SRS System, Fog Light Sw (Grid 28-31)

1993 Volvo 940

For x

Copyright © 1998 Mitchell Repair Information Company, LLC

Friday, July 23, 2004 11:59PM



WIRING DIAGRAMS

Fig. 10: Left Fnt Pwr Seat Sw (W/O Memory) (Grid 36-39)

1993 Volvo 940

For x

Copyright © 1998 Mitchell Repair Information Company, LLC

Friday, July 23, 2004 11:59PM

