

SYSTEM WIRING DIAGRAMS

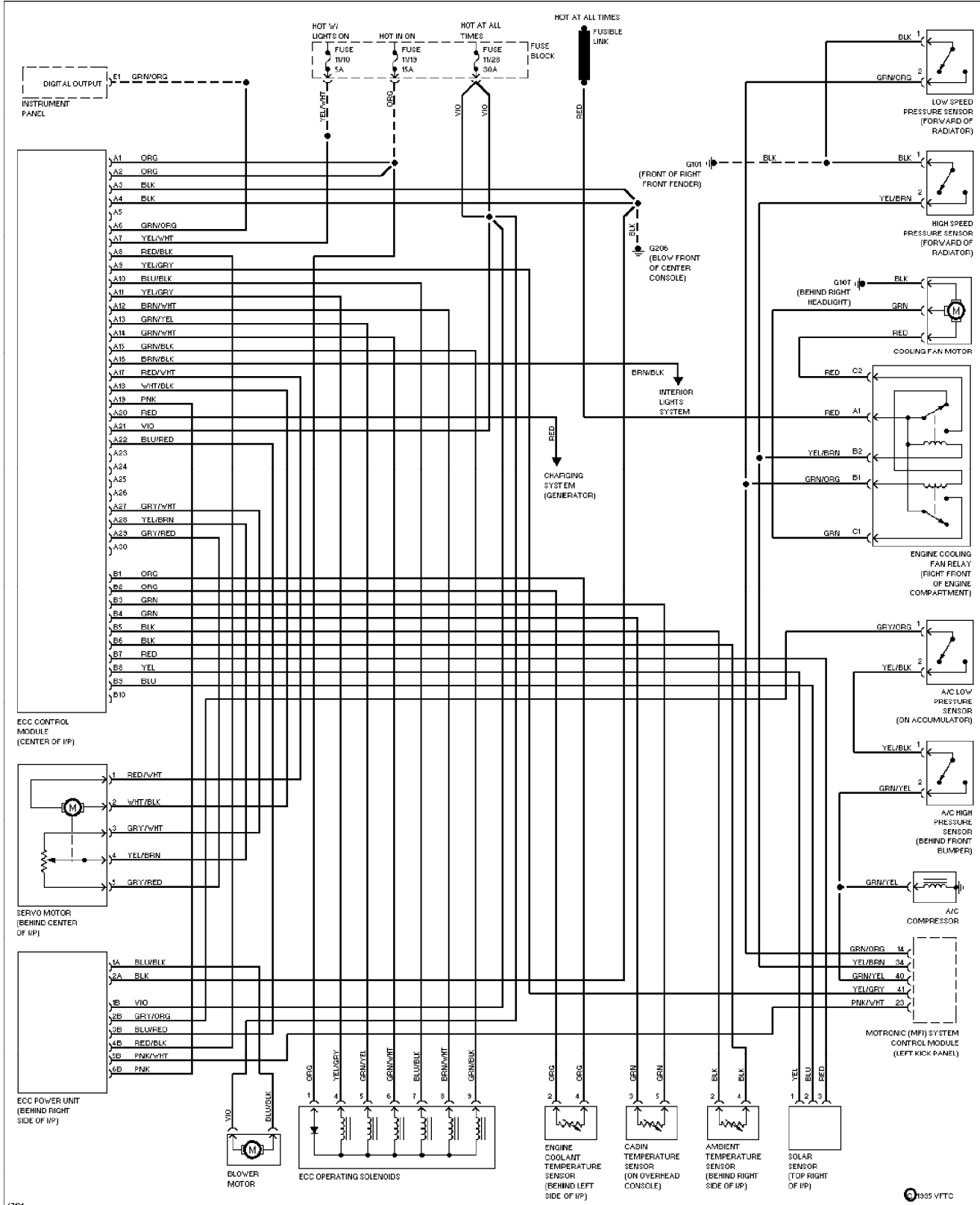
Air Conditioning Circuits

1994 Volvo 960

For x

Copyright © 1998 Mitchell Repair Information Company, LLC

Saturday, July 24, 2004 10:02AM



SYSTEM WIRING DIAGRAMS

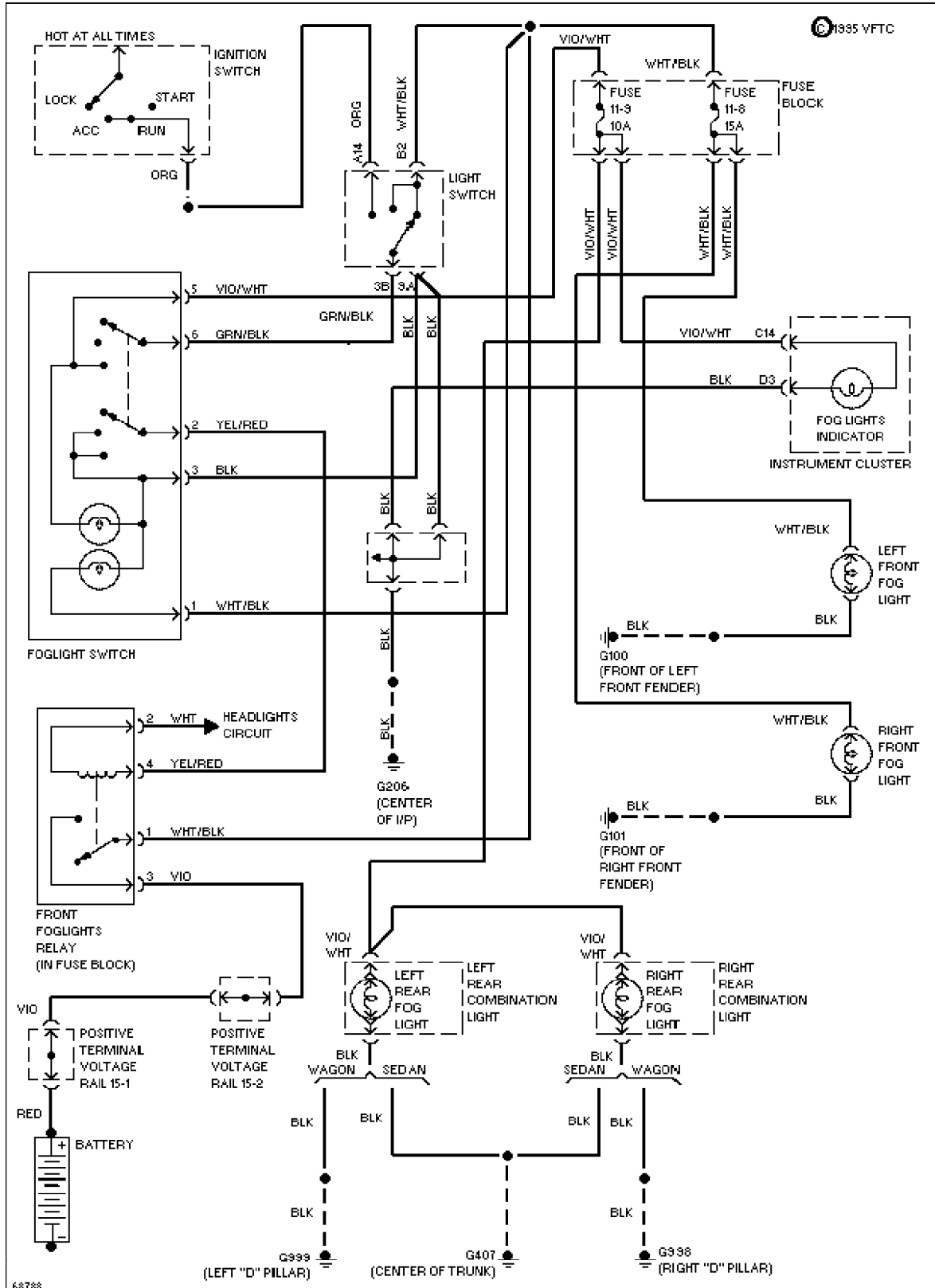
Fog Lamps Circuit

1994 Volvo 960

For x

Copyright © 1998 Mitchell Repair Information Company, LLC

Saturday, July 24, 2004 10:04AM



SYSTEM WIRING DIAGRAMS

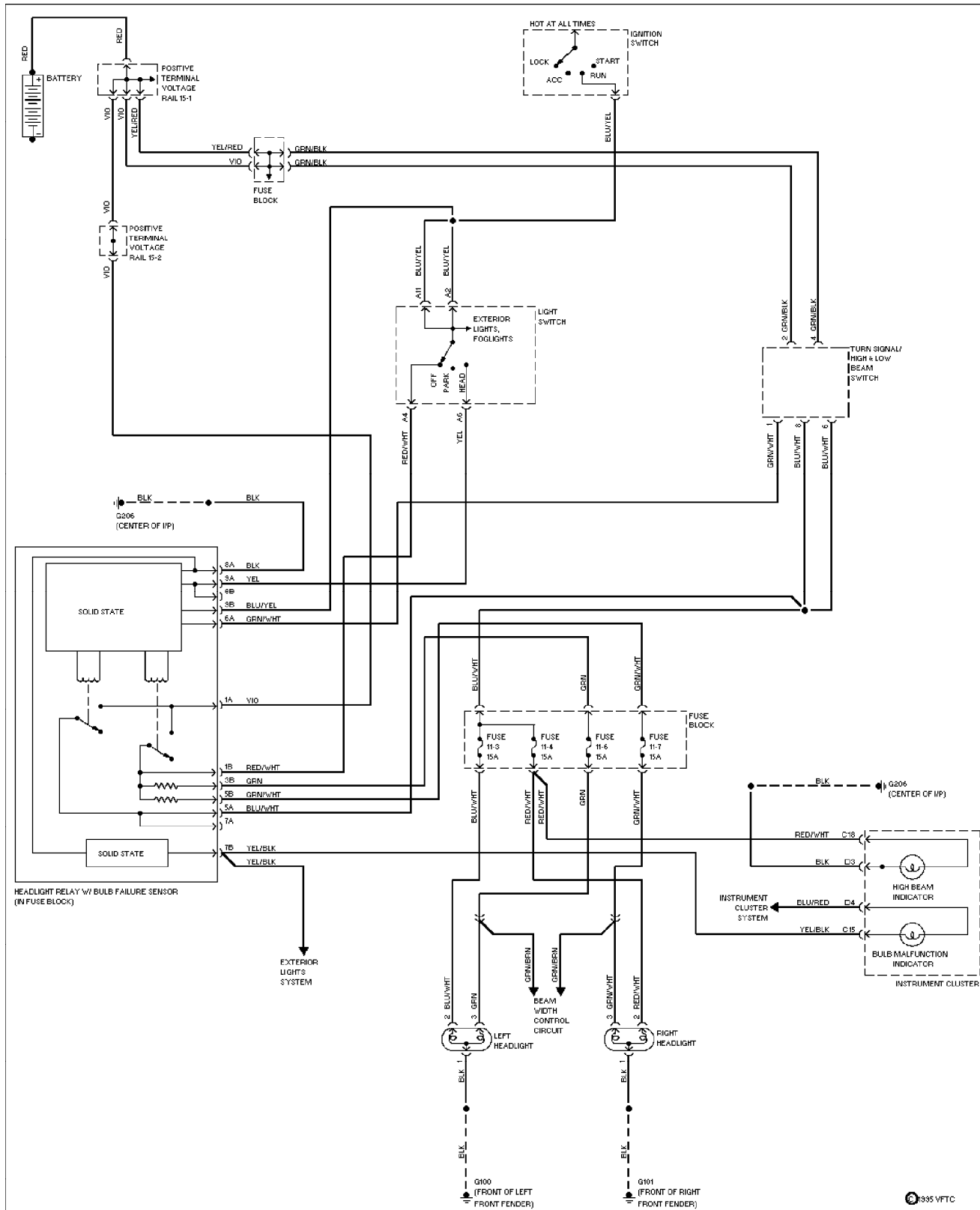
Headlamps Circuit, W/ DRL

1994 Volvo 960

For x

Copyright © 1998 Mitchell Repair Information Company, LLC

Saturday, July 24, 2004 10:04AM



SYSTEM WIRING DIAGRAMS

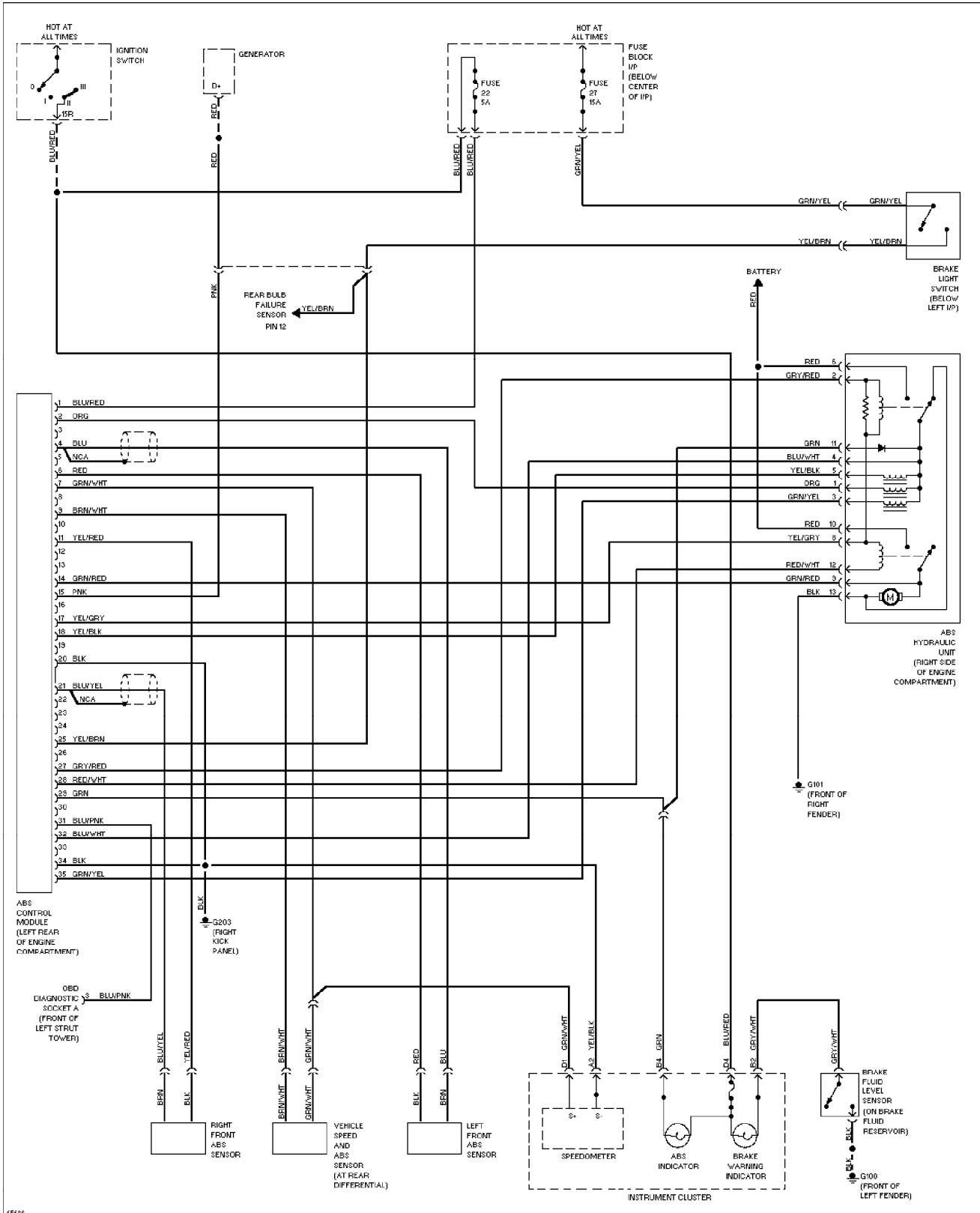
Anti-lock Brake Circuits

1994 Volvo 960

For x

Copyright © 1998 Mitchell Repair Information Company, LLC

Saturday, July 24, 2004 10:03AM



SYSTEM WIRING DIAGRAMS

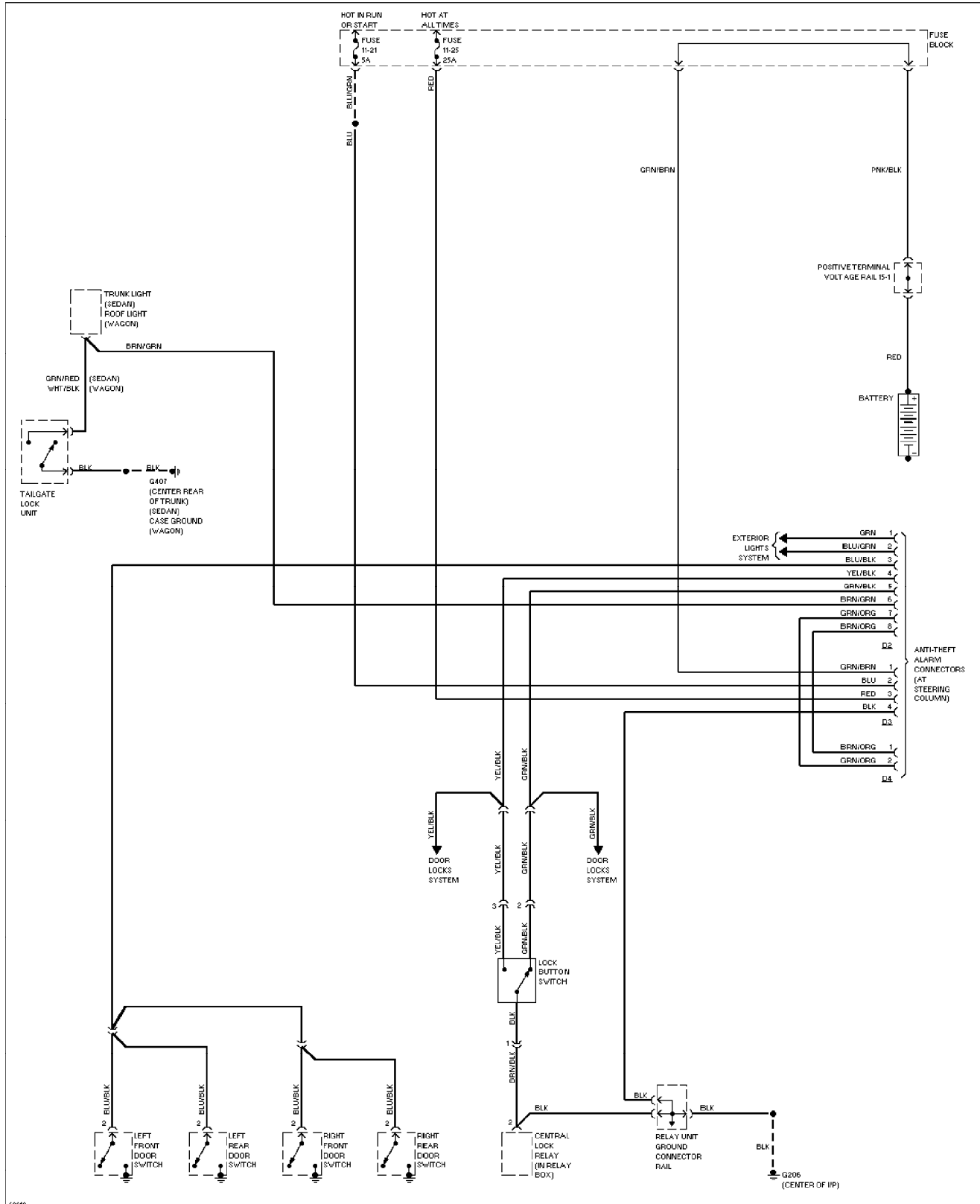
Anti-theft Circuit

1994 Volvo 960

For x

Copyright © 1998 Mitchell Repair Information Company, LLC

Saturday, July 24, 2004 10:03AM



SYSTEM WIRING DIAGRAMS

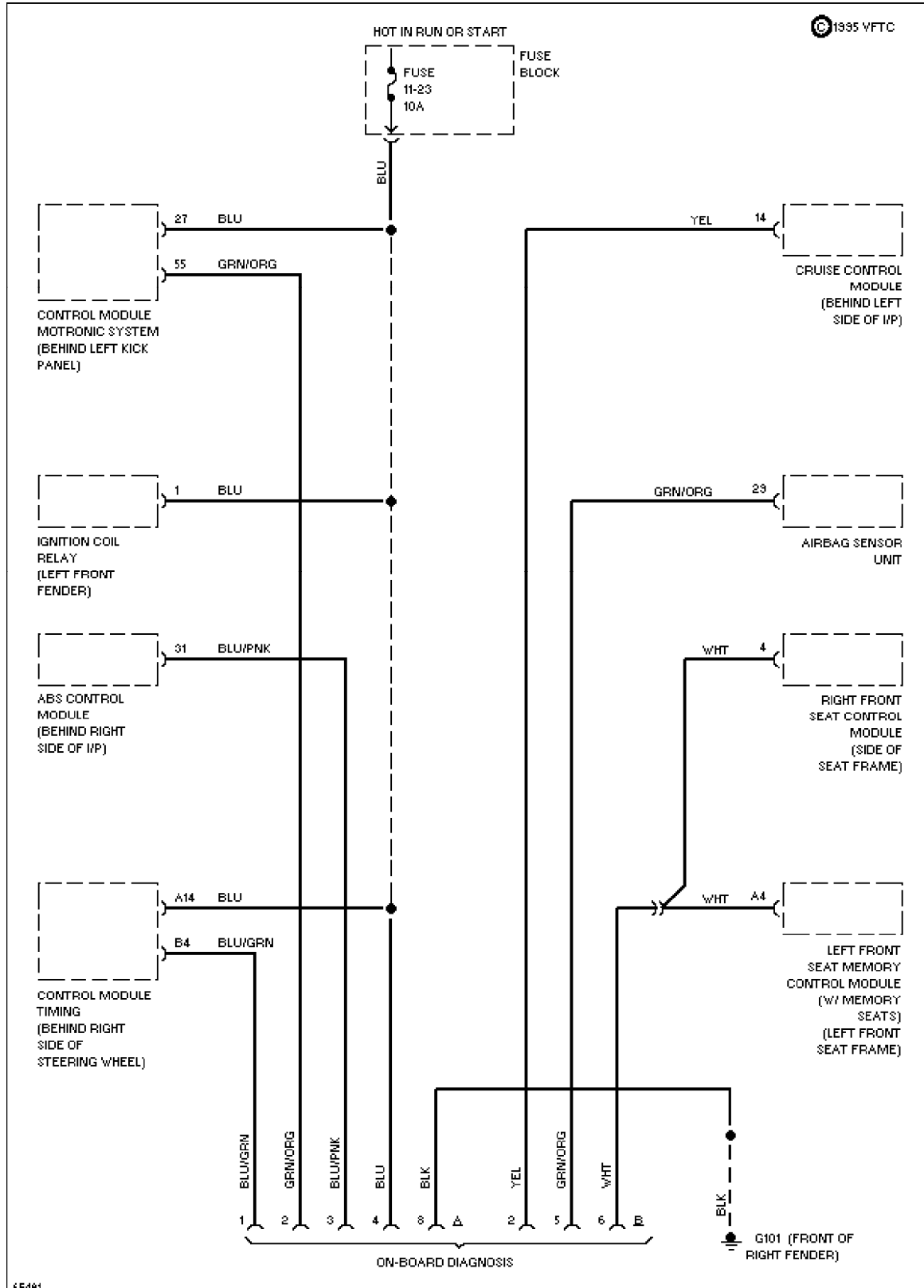
Computer Data Lines

1994 Volvo 960

For x

Copyright © 1998 Mitchell Repair Information Company, LLC

Saturday, July 24, 2004 10:03AM



SYSTEM WIRING DIAGRAMS

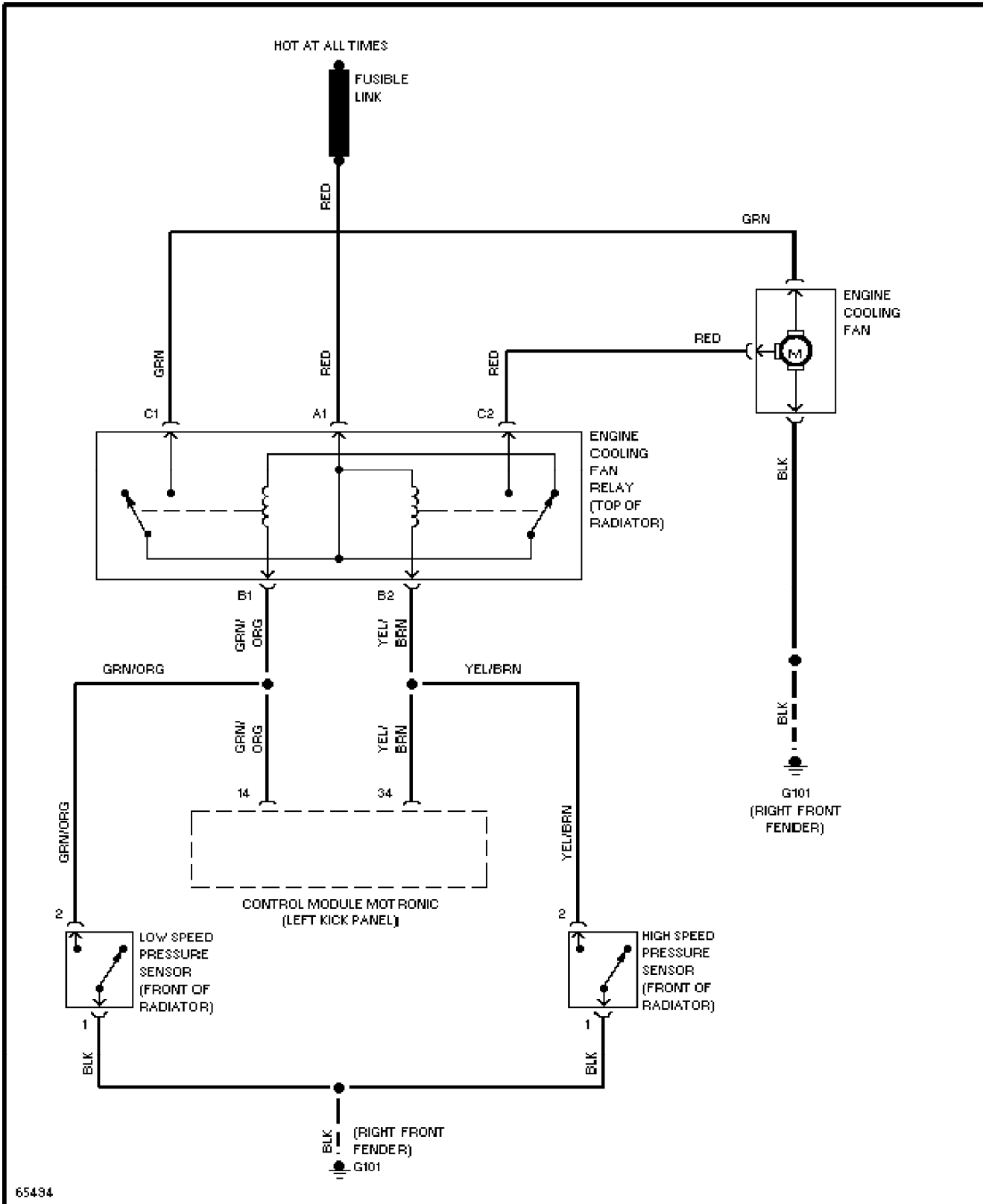
Cooling Fan Circuit

1994 Volvo 960

For x

Copyright © 1998 Mitchell Repair Information Company, LLC

Saturday, July 24, 2004 10:03AM



SYSTEM WIRING DIAGRAMS

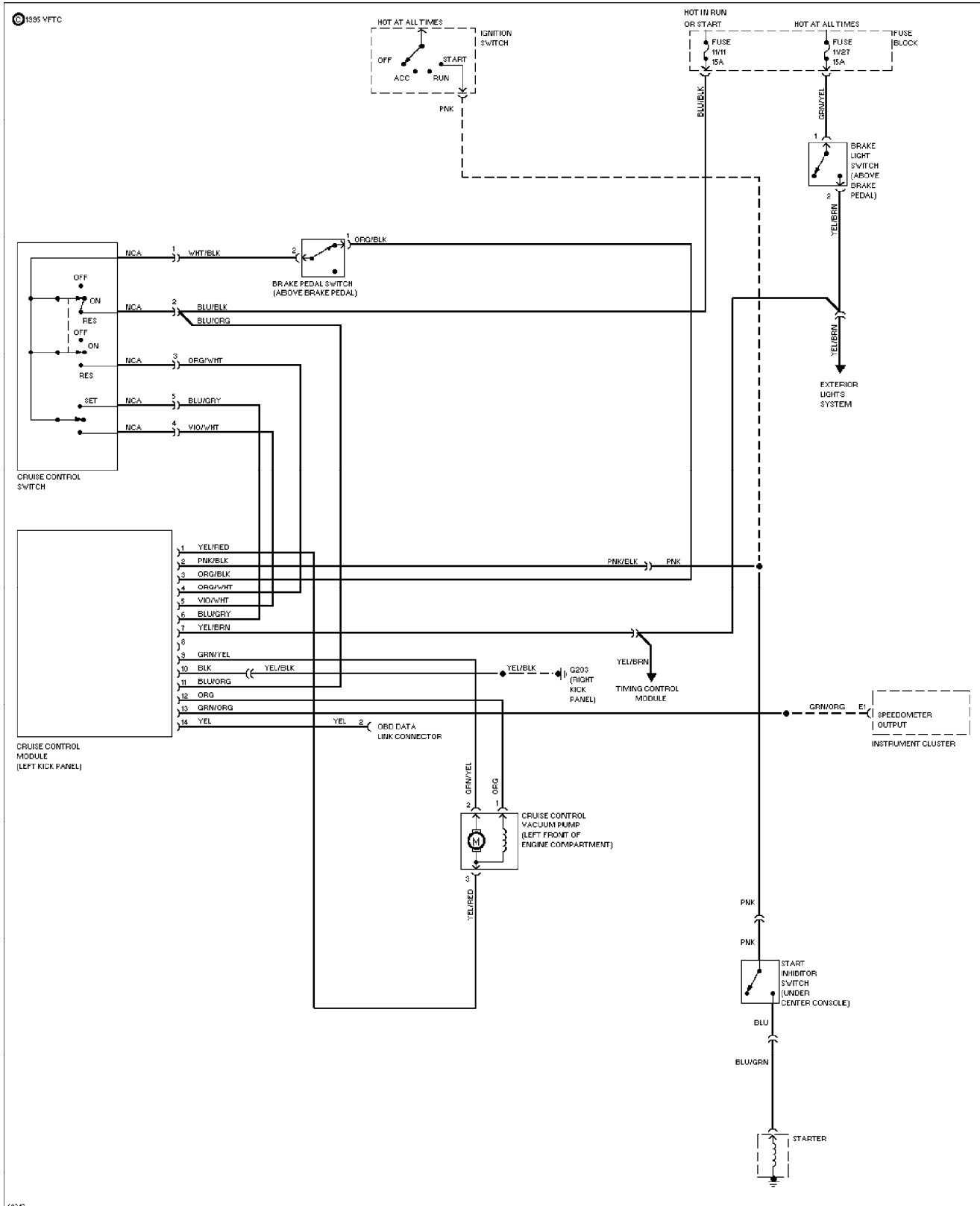
Cruise Control Circuit

1994 Volvo 960

For x

Copyright © 1998 Mitchell Repair Information Company, LLC

Saturday, July 24, 2004 10:04AM



SYSTEM WIRING DIAGRAMS

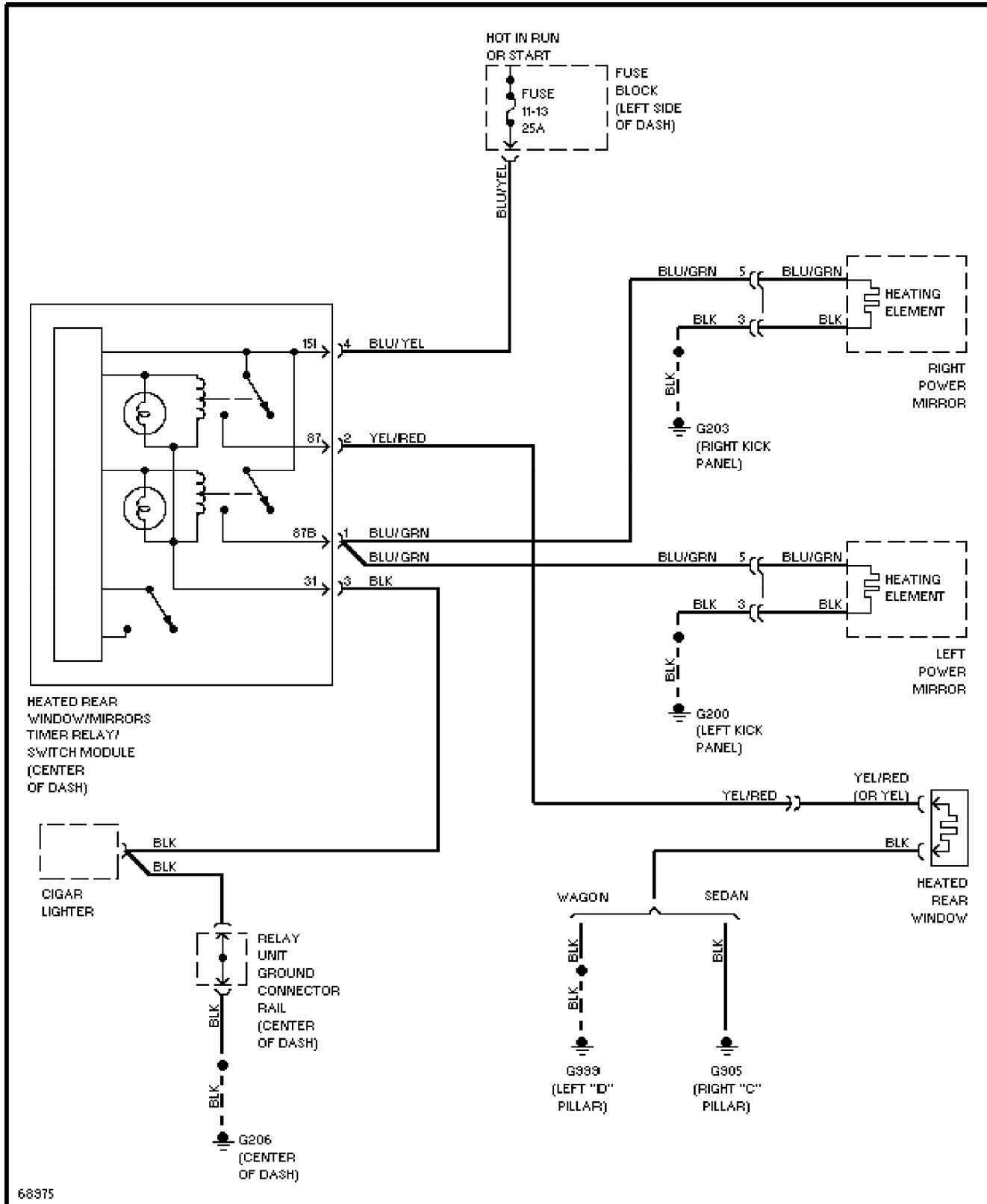
Defogger Circuit

1994 Volvo 960

For x

Copyright © 1998 Mitchell Repair Information Company, LLC

Saturday, July 24, 2004 10:04AM



SYSTEM WIRING DIAGRAMS

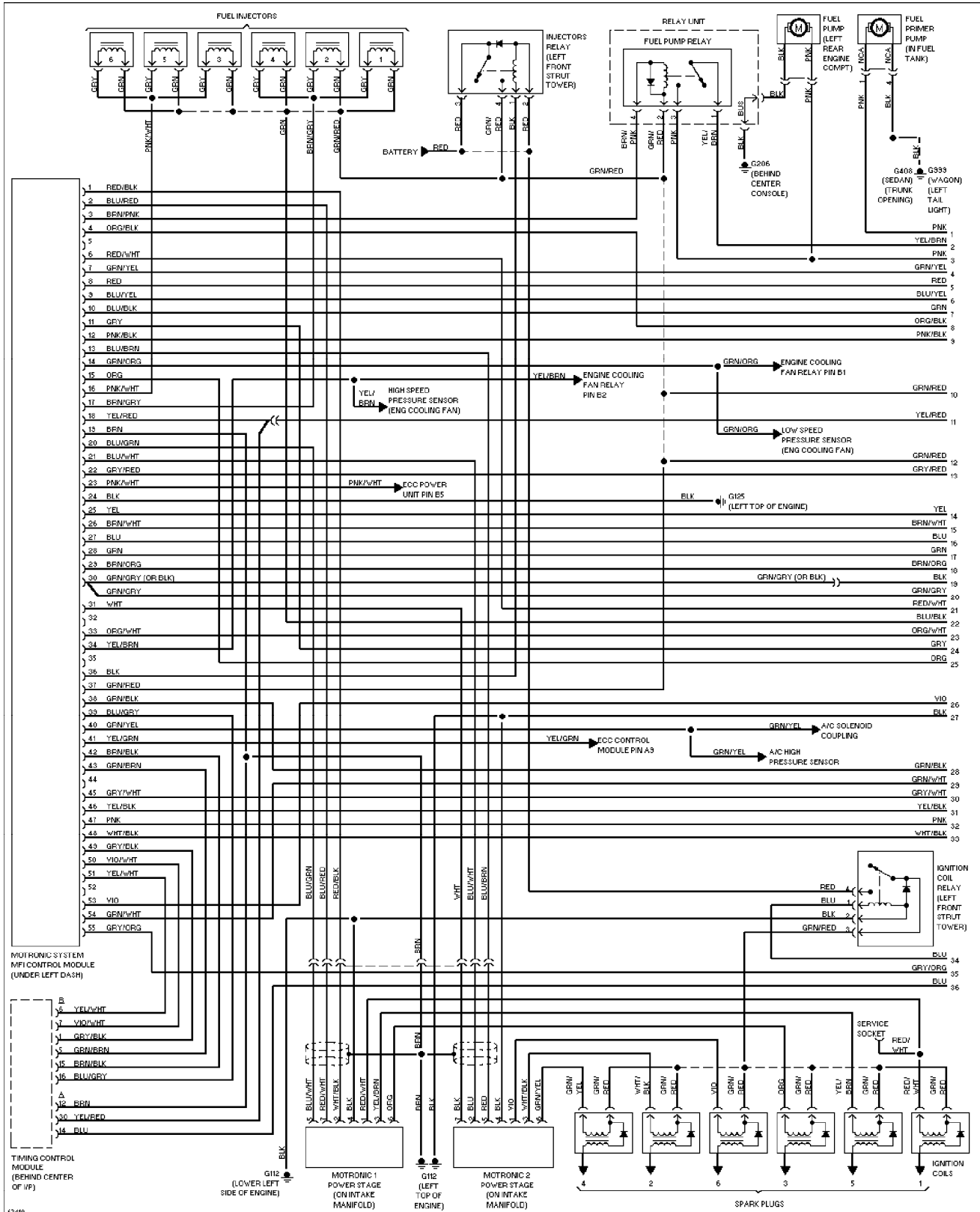
2.9L, Engine Performance Circuits (1 of 2)

1994 Volvo 960

For x

Copyright © 1998 Mitchell Repair Information Company, LLC

Saturday, July 24, 2004 10:04AM



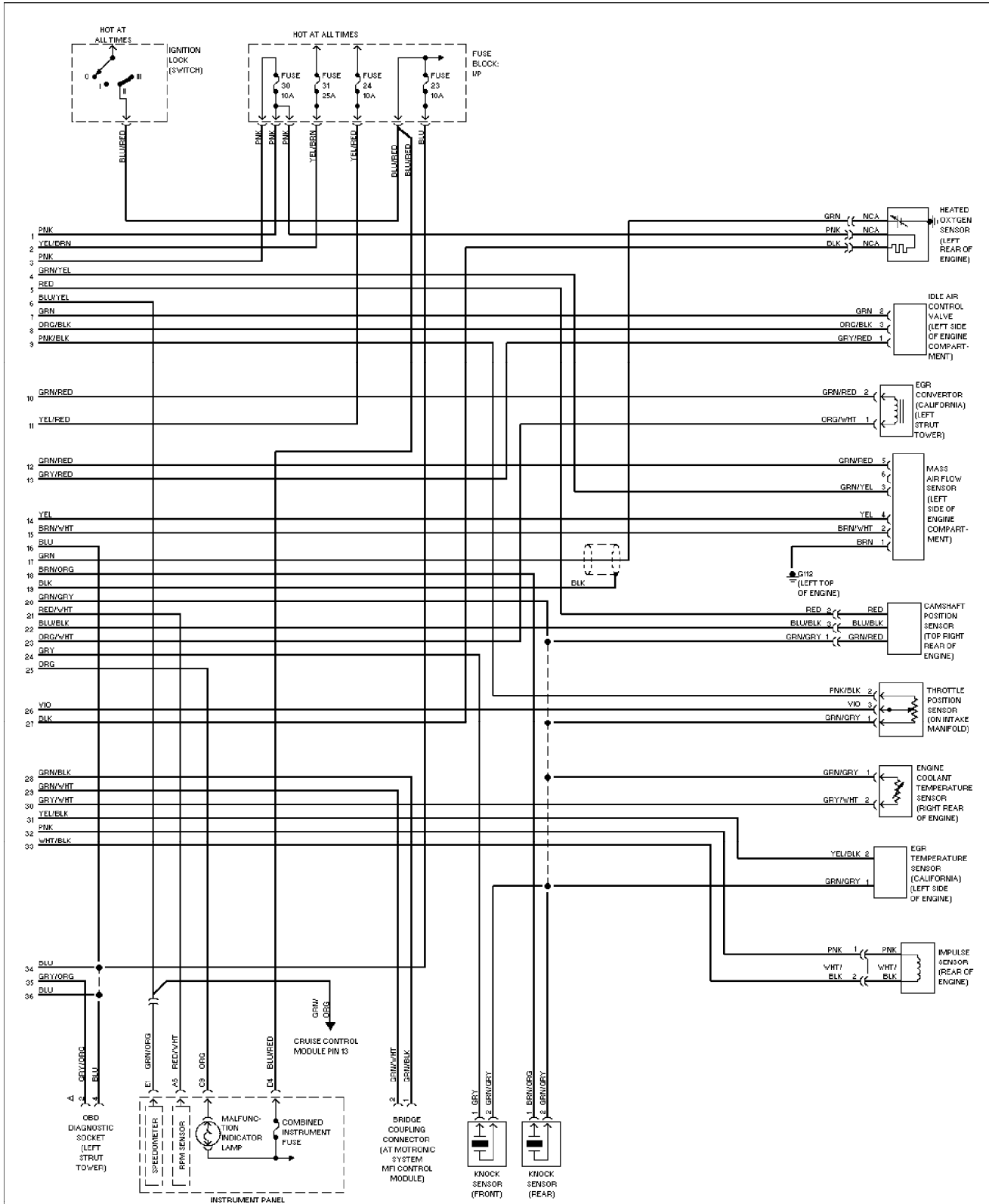
SYSTEM WIRING DIAGRAMS

2.9L, Engine Performance Circuits (2 of 2)

1994 Volvo 960

For x

Copyright © 1998 Mitchell Repair Information Company, LLC
Saturday, July 24, 2004 10:04AM



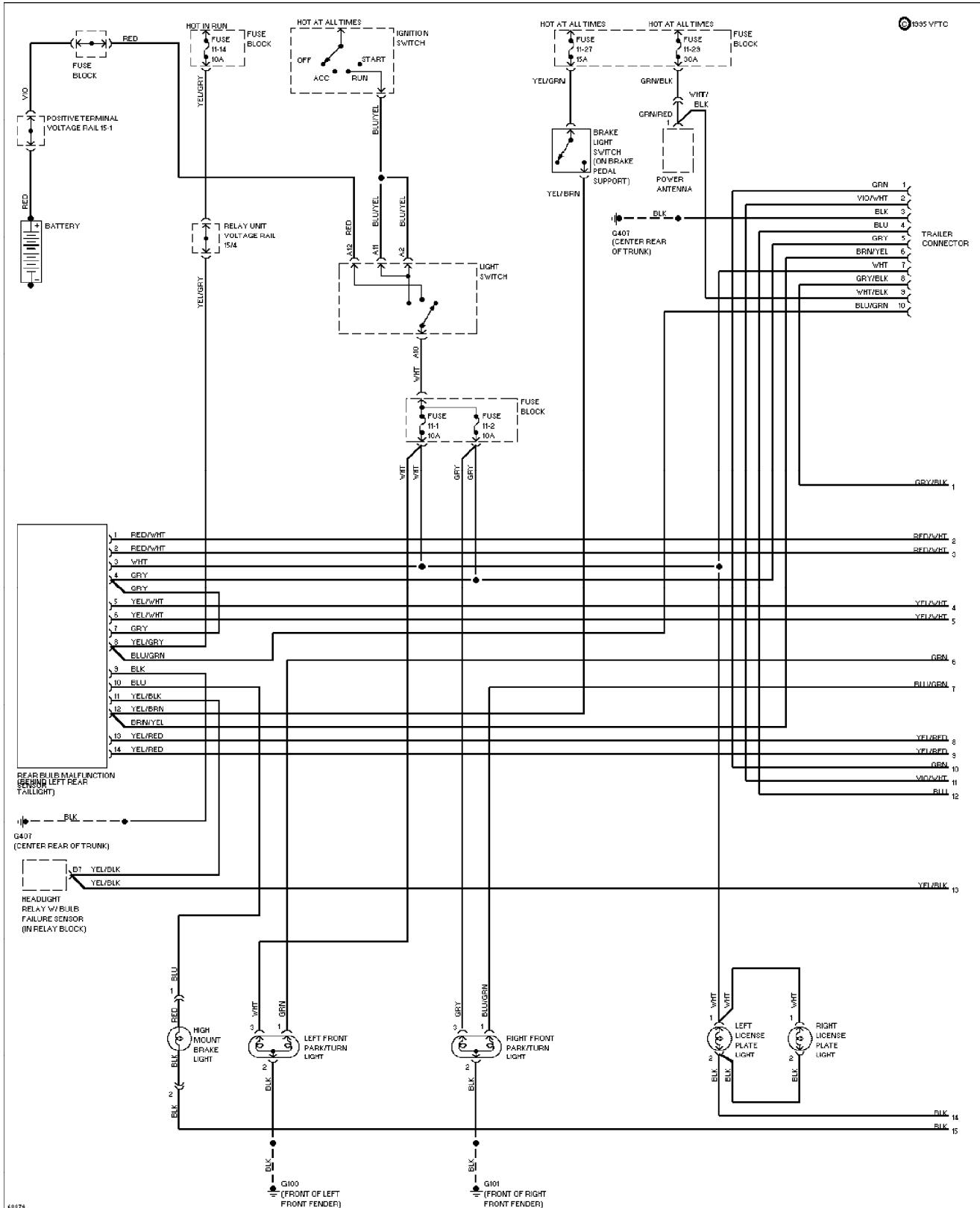
SYSTEM WIRING DIAGRAMS

Exterior Lamps Circuit, Sedan (1 of 2)

1994 Volvo 960

For x

Copyright © 1998 Mitchell Repair Information Company, LLC
Saturday, July 24, 2004 10:04AM



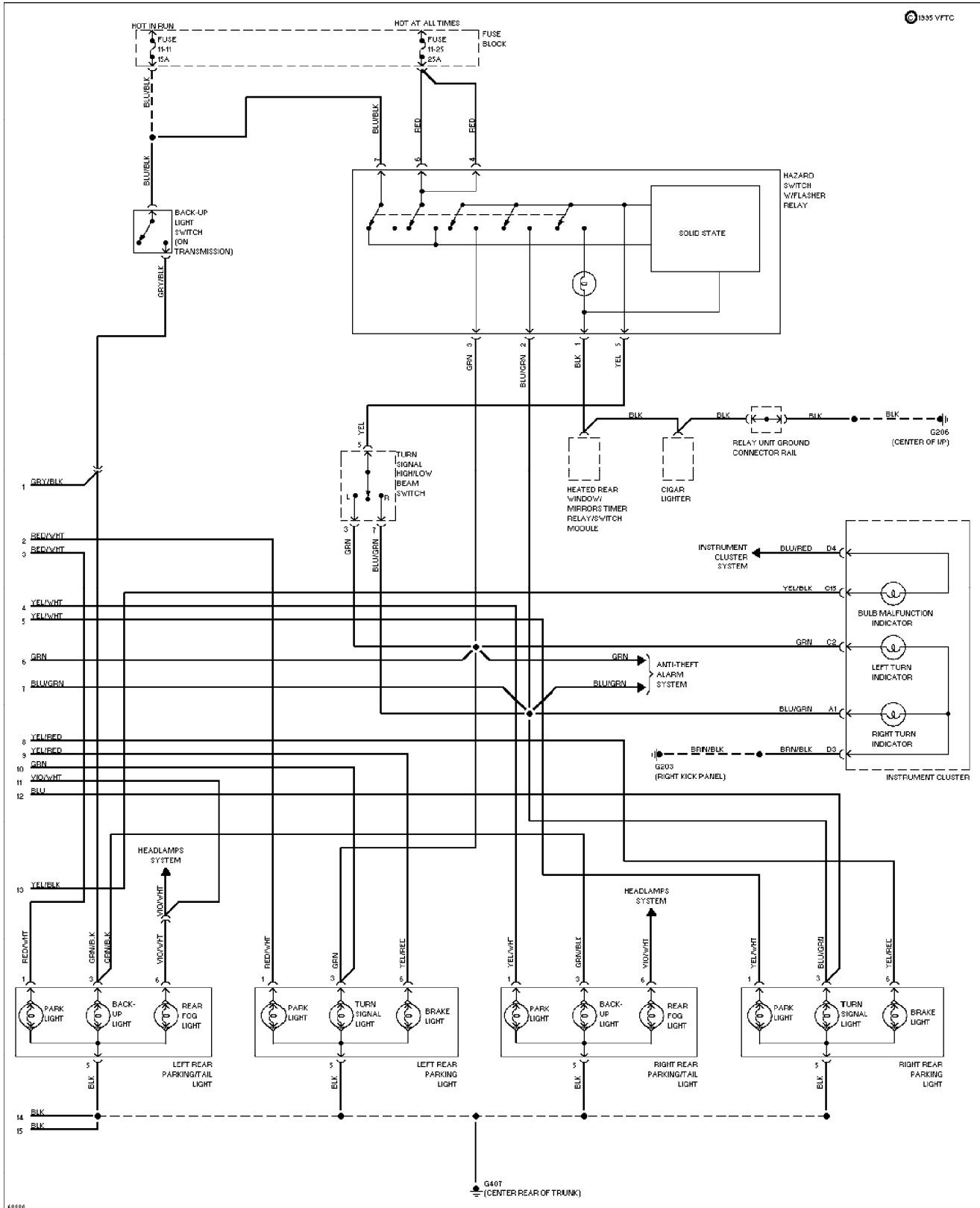
SYSTEM WIRING DIAGRAMS

Exterior Lamps Circuit, Sedan (2 of 2)

1994 Volvo 960

For x

Copyright © 1998 Mitchell Repair Information Company, LLC
 Saturday, July 24, 2004 10:04AM



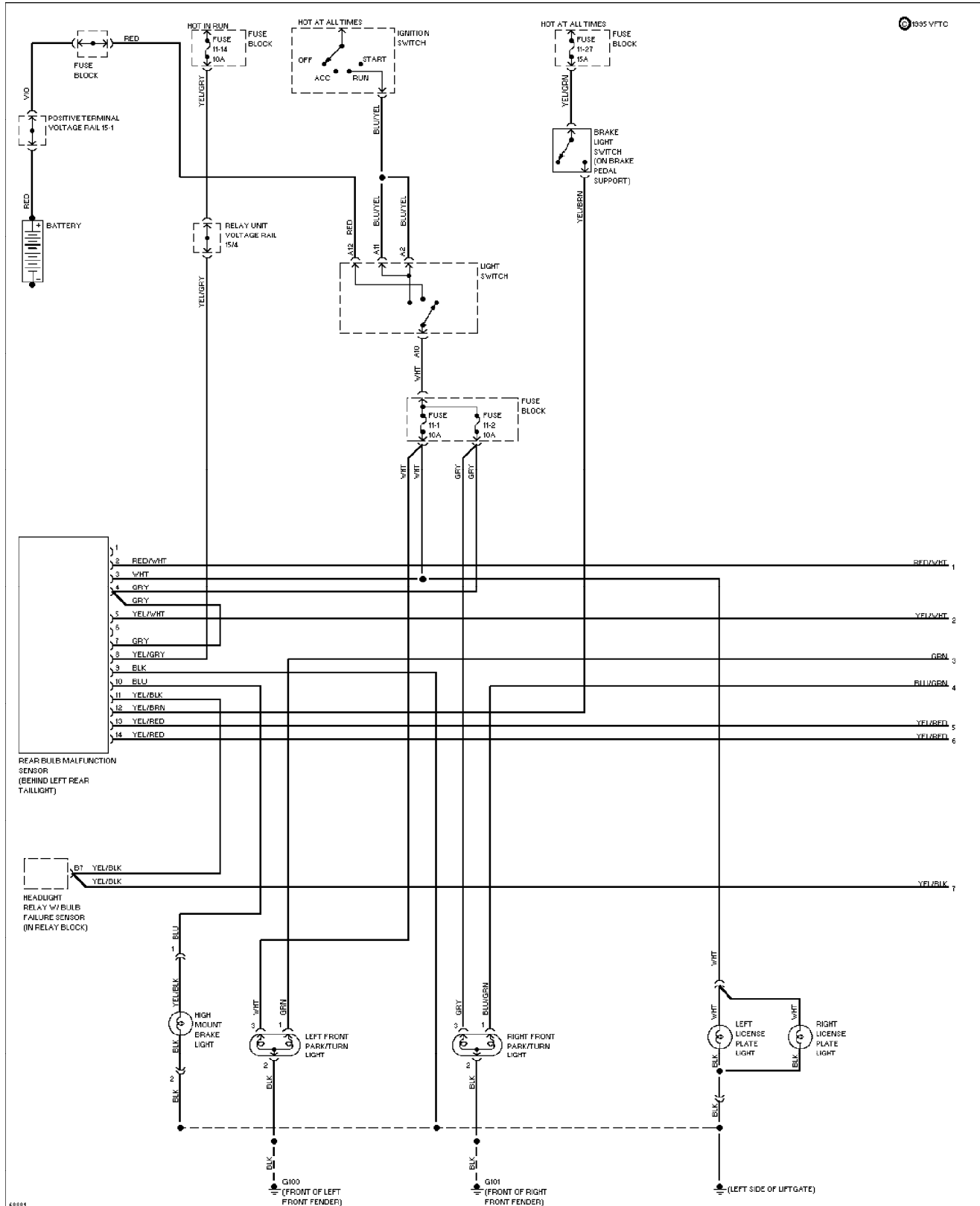
SYSTEM WIRING DIAGRAMS

Exterior Lamps Circuit, Wagon (1 of 2)

1994 Volvo 960

For x

Copyright © 1998 Mitchell Repair Information Company, LLC
Saturday, July 24, 2004 10:04AM



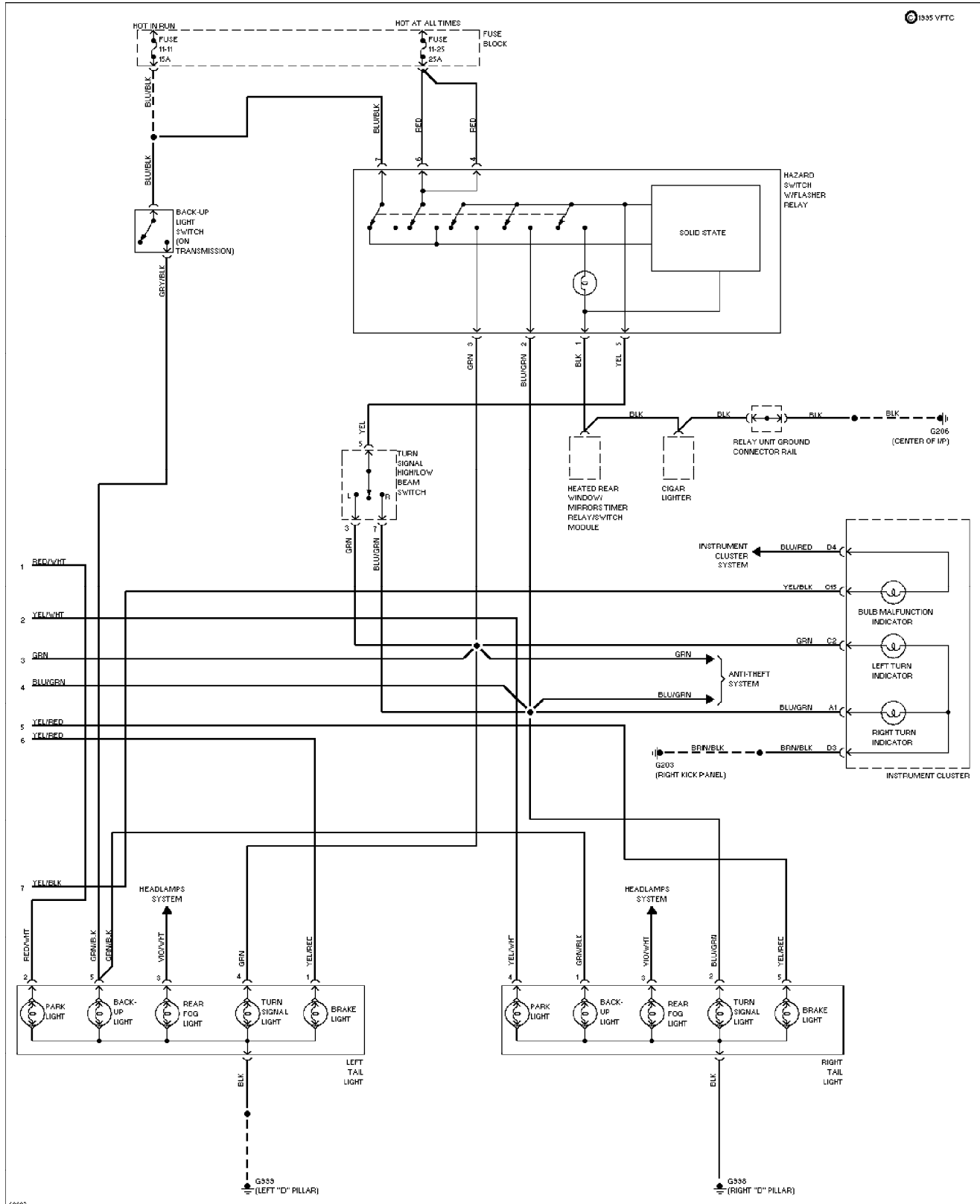
SYSTEM WIRING DIAGRAMS

Exterior Lamps Circuit, Wagon (2 of 2)

1994 Volvo 960

For x

Copyright © 1998 Mitchell Repair Information Company, LLC
Saturday, July 24, 2004 10:04AM



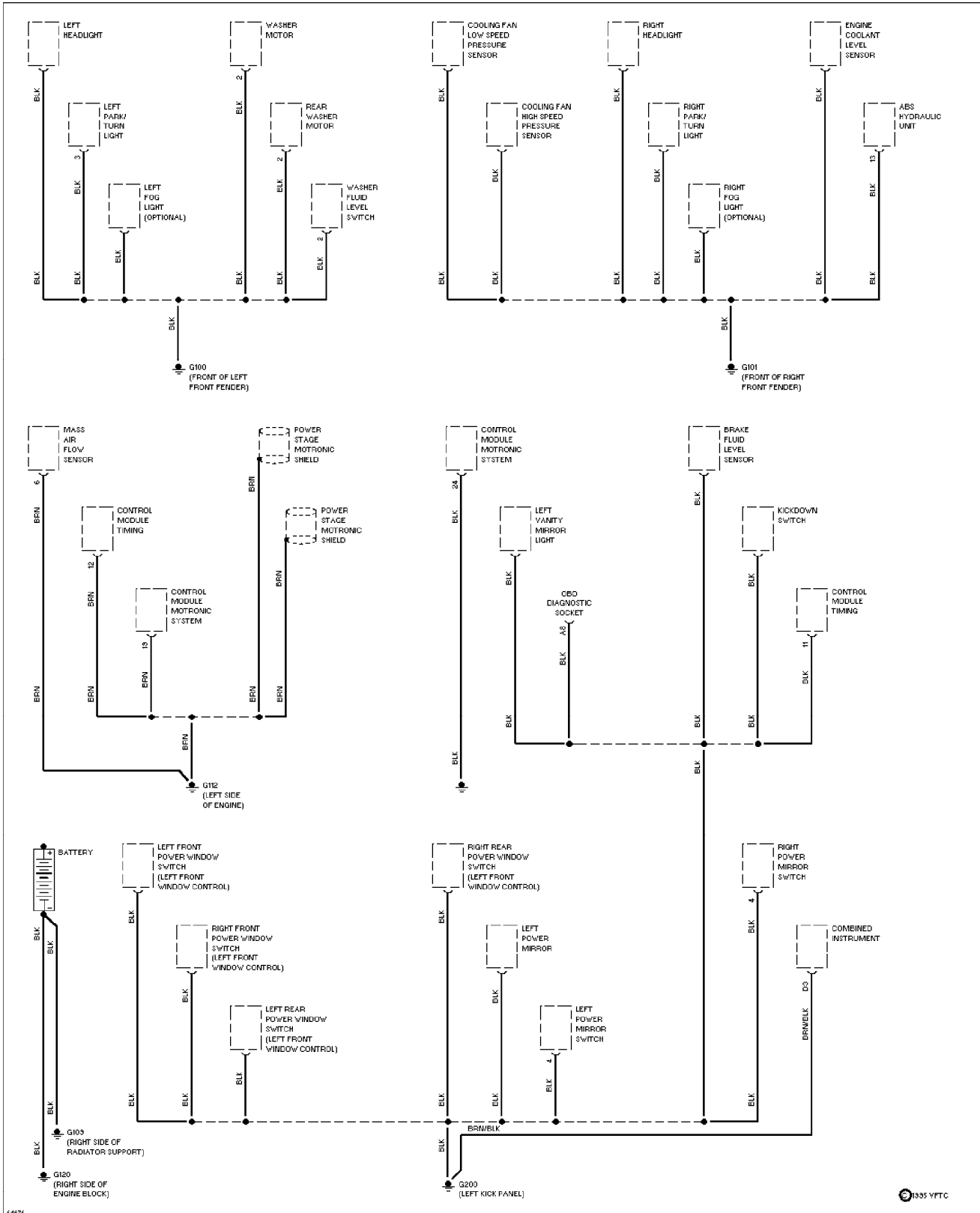
SYSTEM WIRING DIAGRAMS

Ground Distribution Circuit (1 of 4)

1994 Volvo 960

For x

Copyright © 1998 Mitchell Repair Information Company, LLC
 Saturday, July 24, 2004 10:04AM



SYSTEM WIRING DIAGRAMS

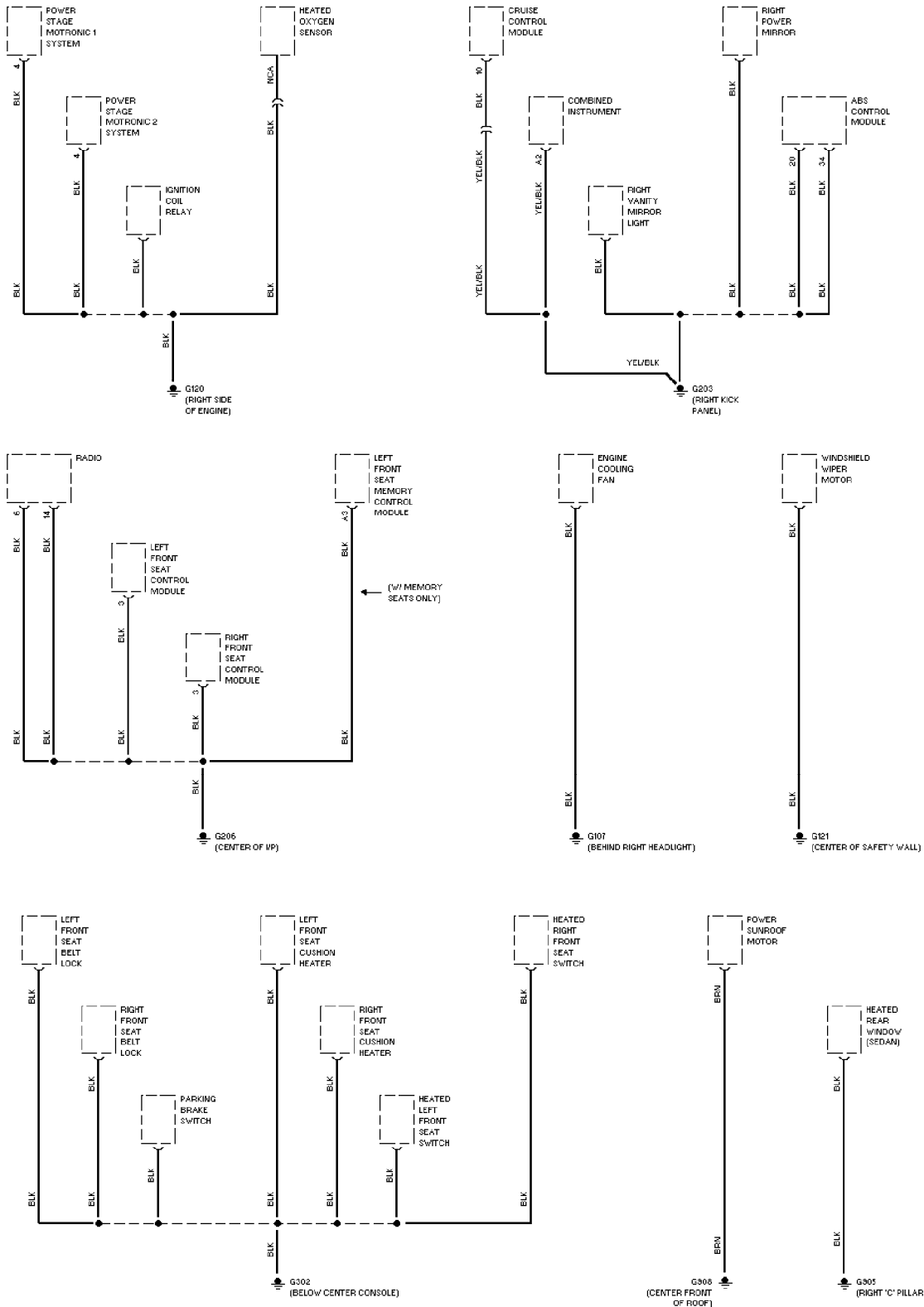
Ground Distribution Circuit (2 of 4)

1994 Volvo 960

For x

Copyright © 1998 Mitchell Repair Information Company, LLC
 Saturday, July 24, 2004 10:04AM

1995 YFTC



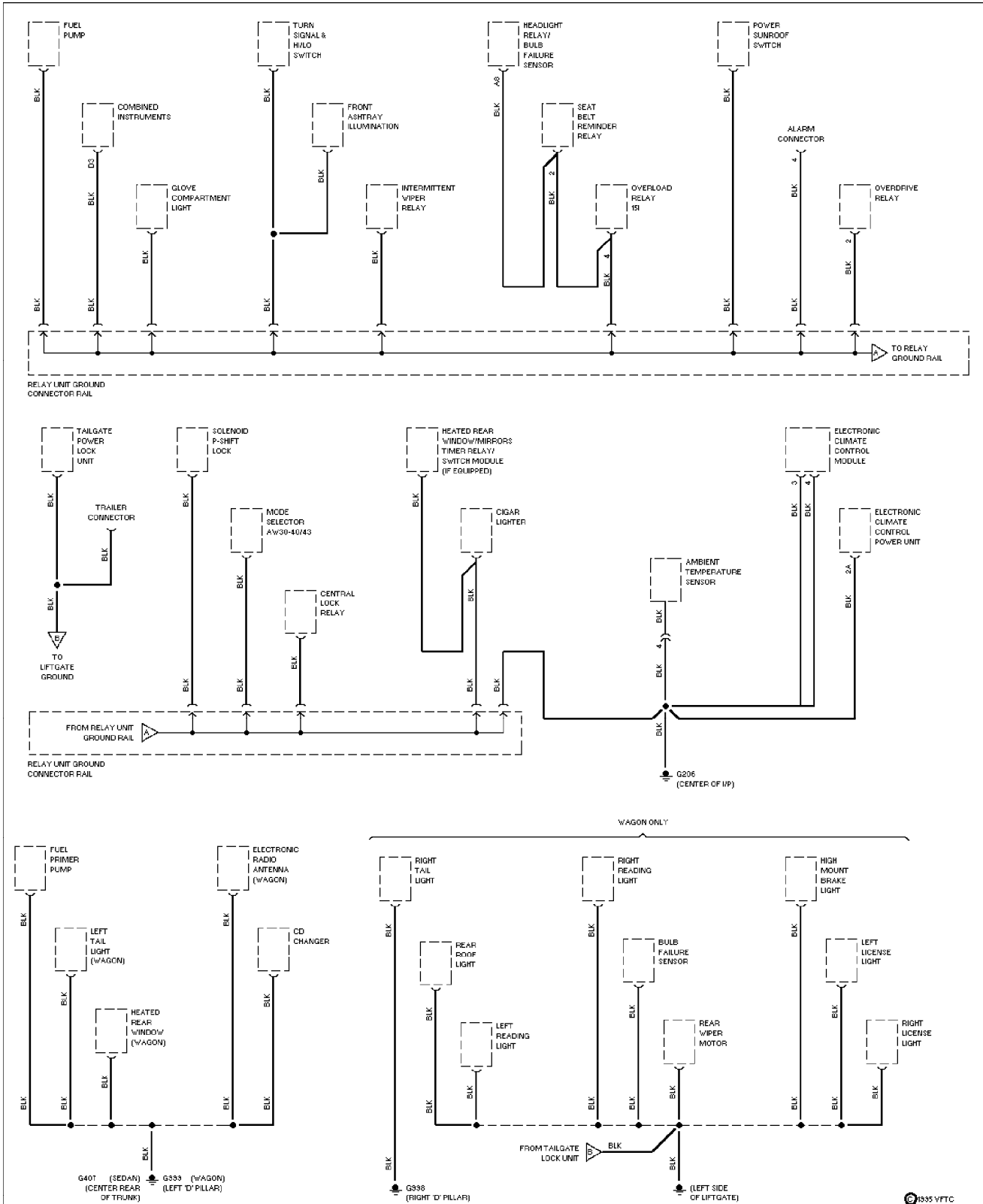
SYSTEM WIRING DIAGRAMS

Ground Distribution Circuit (3 of 4)

1994 Volvo 960

For x

Copyright © 1998 Mitchell Repair Information Company, LLC
 Saturday, July 24, 2004 10:04AM



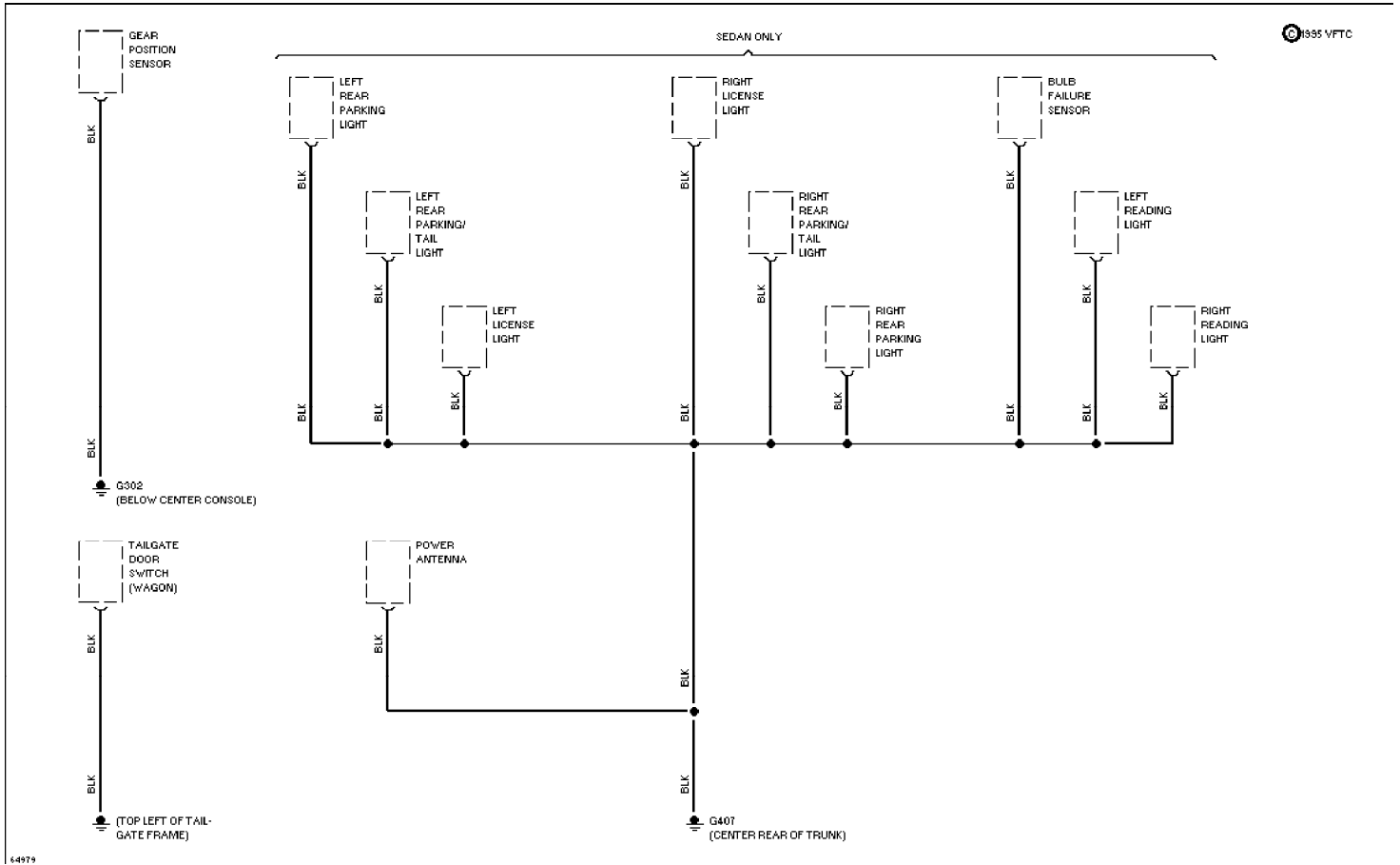
SYSTEM WIRING DIAGRAMS

Ground Distribution Circuit (4 of 4)

1994 Volvo 960

For x

Copyright © 1998 Mitchell Repair Information Company, LLC
Saturday, July 24, 2004 10:04AM



SYSTEM WIRING DIAGRAMS

Beam Width Control

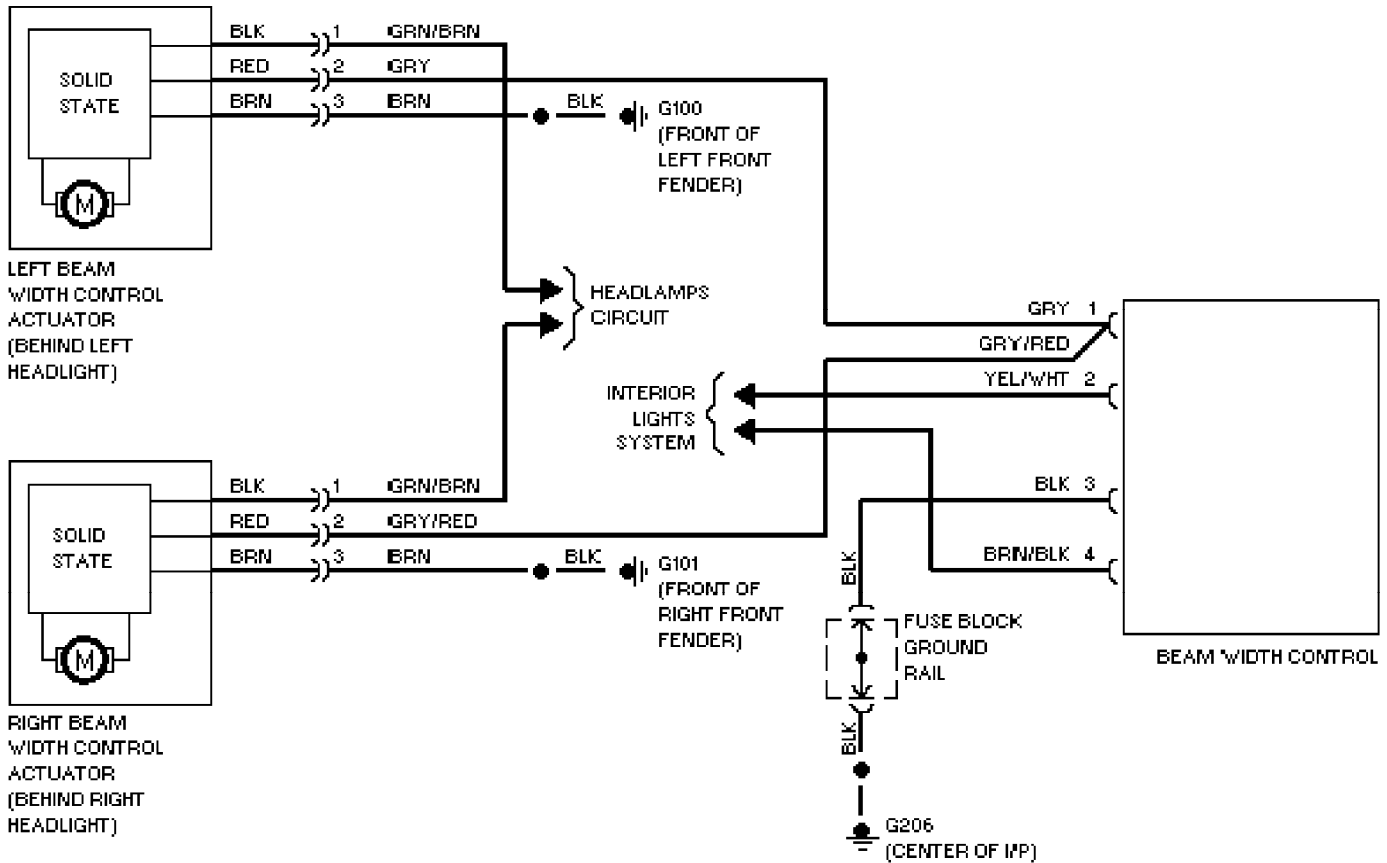
1994 Volvo 960

For x

Copyright © 1998 Mitchell Repair Information Company, LLC

Saturday, July 24, 2004 10:04AM

© 1995 VFTC



SYSTEM WIRING DIAGRAMS

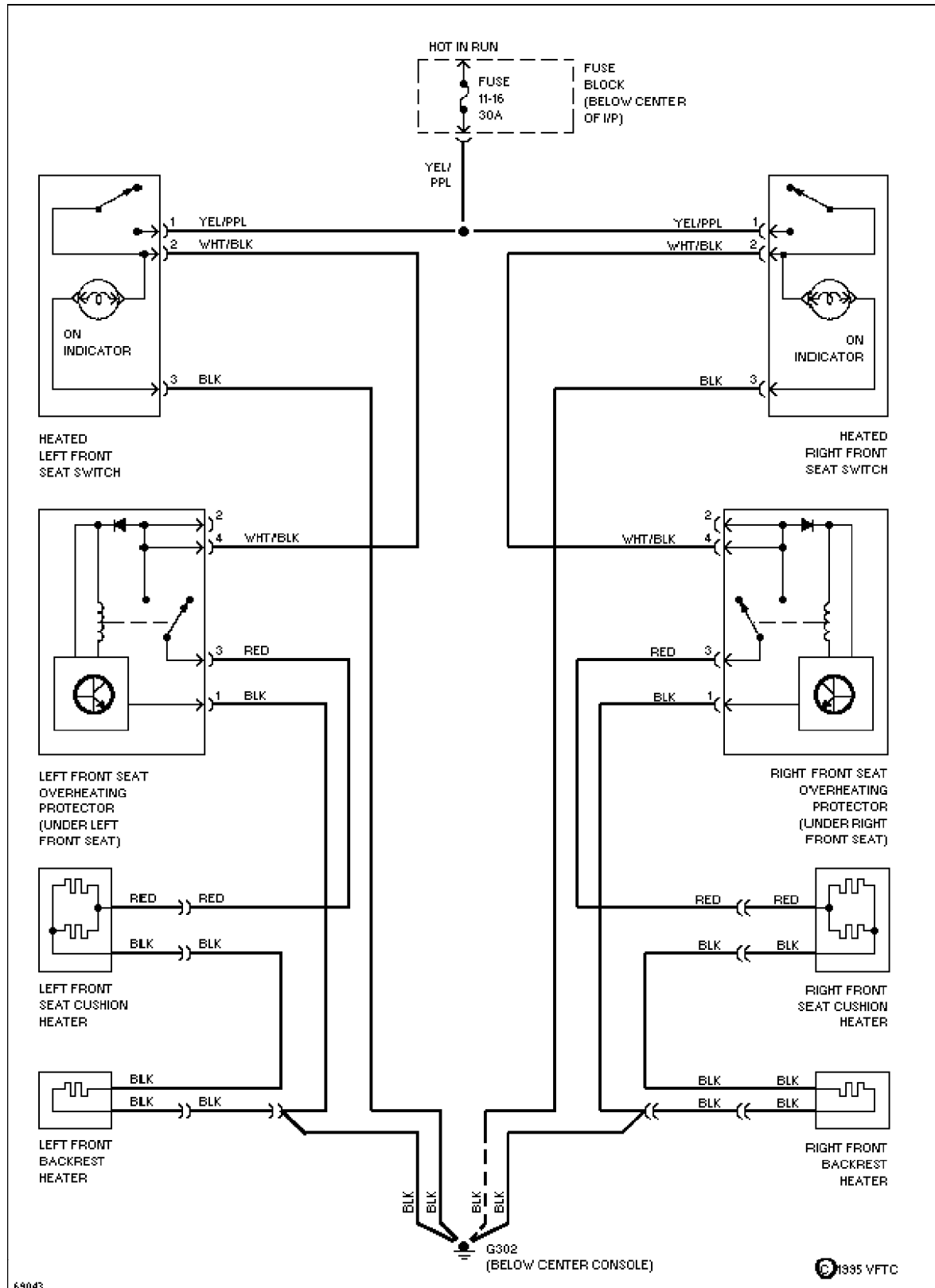
Heated Seats Circuit

1994 Volvo 960

For x

Copyright © 1998 Mitchell Repair Information Company, LLC

Saturday, July 24, 2004 10:07AM



SYSTEM WIRING DIAGRAMS

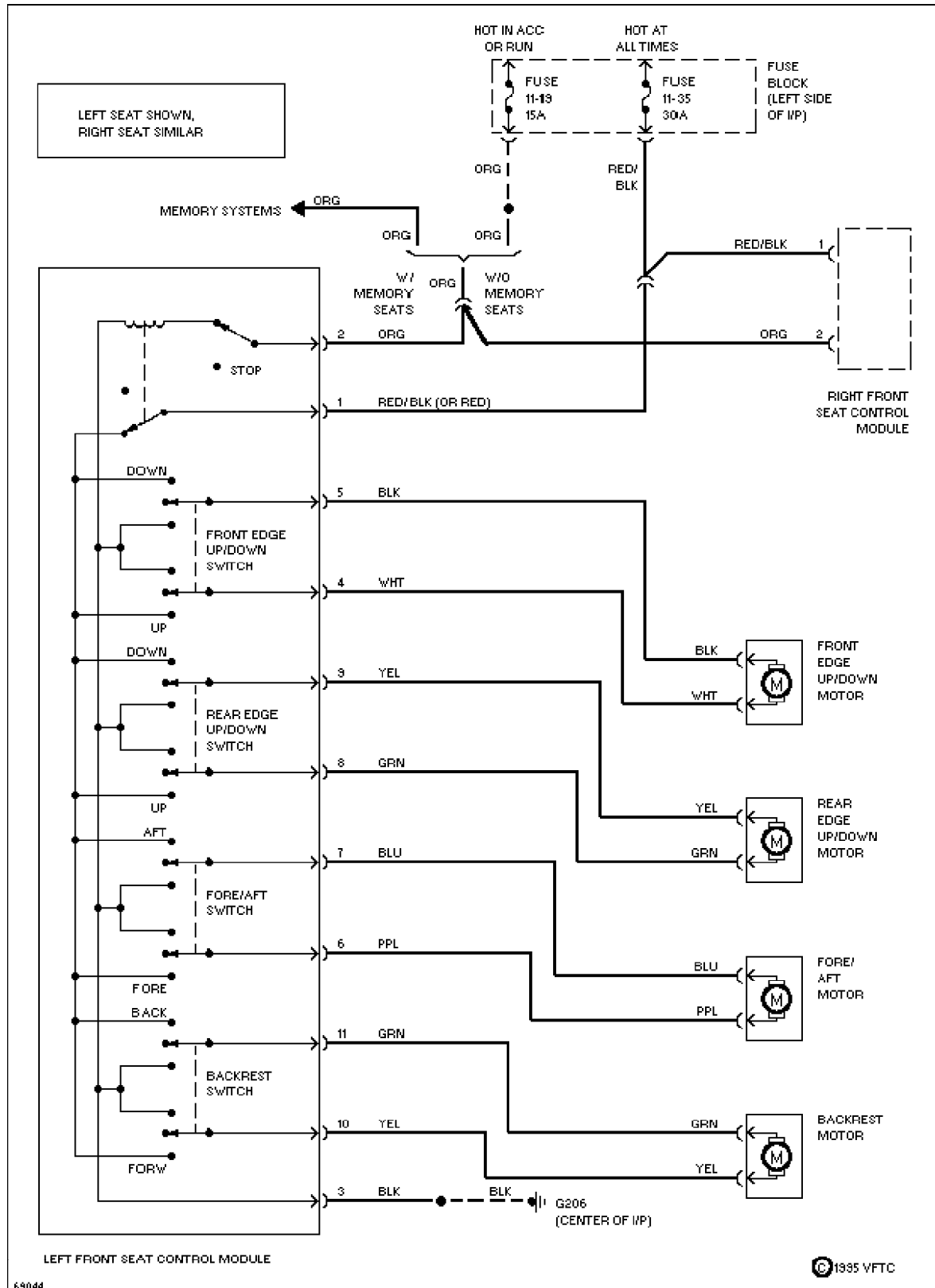
Power Seats Circuit

1994 Volvo 960

For x

Copyright © 1998 Mitchell Repair Information Company, LLC

Saturday, July 24, 2004 10:07AM



SYSTEM WIRING DIAGRAMS

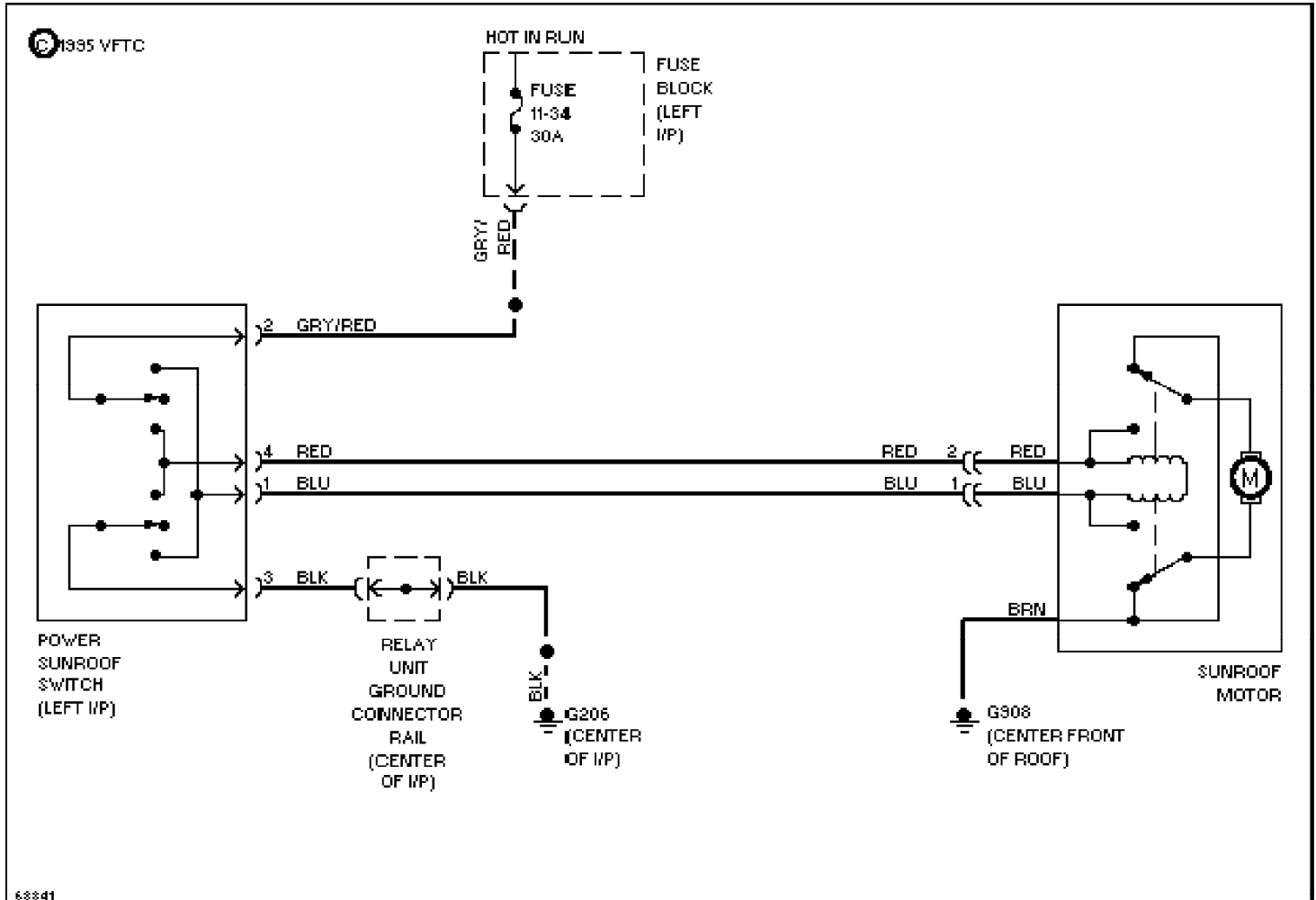
Sunroof Circuit

1994 Volvo 960

For x

Copyright © 1998 Mitchell Repair Information Company, LLC

Saturday, July 24, 2004 10:07AM



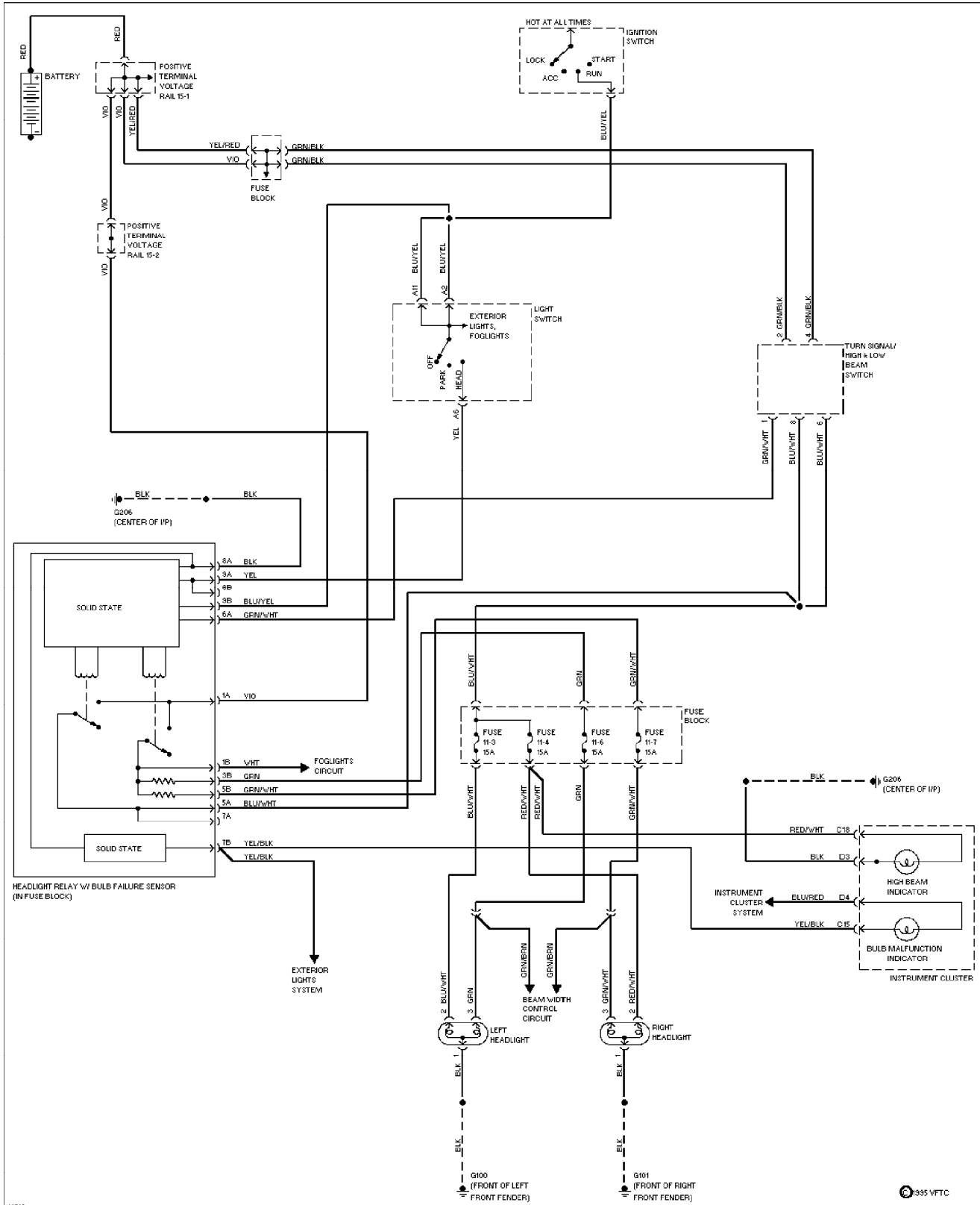
SYSTEM WIRING DIAGRAMS

Headlamps Circuit, W/O DRL

1994 Volvo 960

For x

Copyright © 1998 Mitchell Repair Information Company, LLC
 Saturday, July 24, 2004 10:05AM



SYSTEM WIRING DIAGRAMS

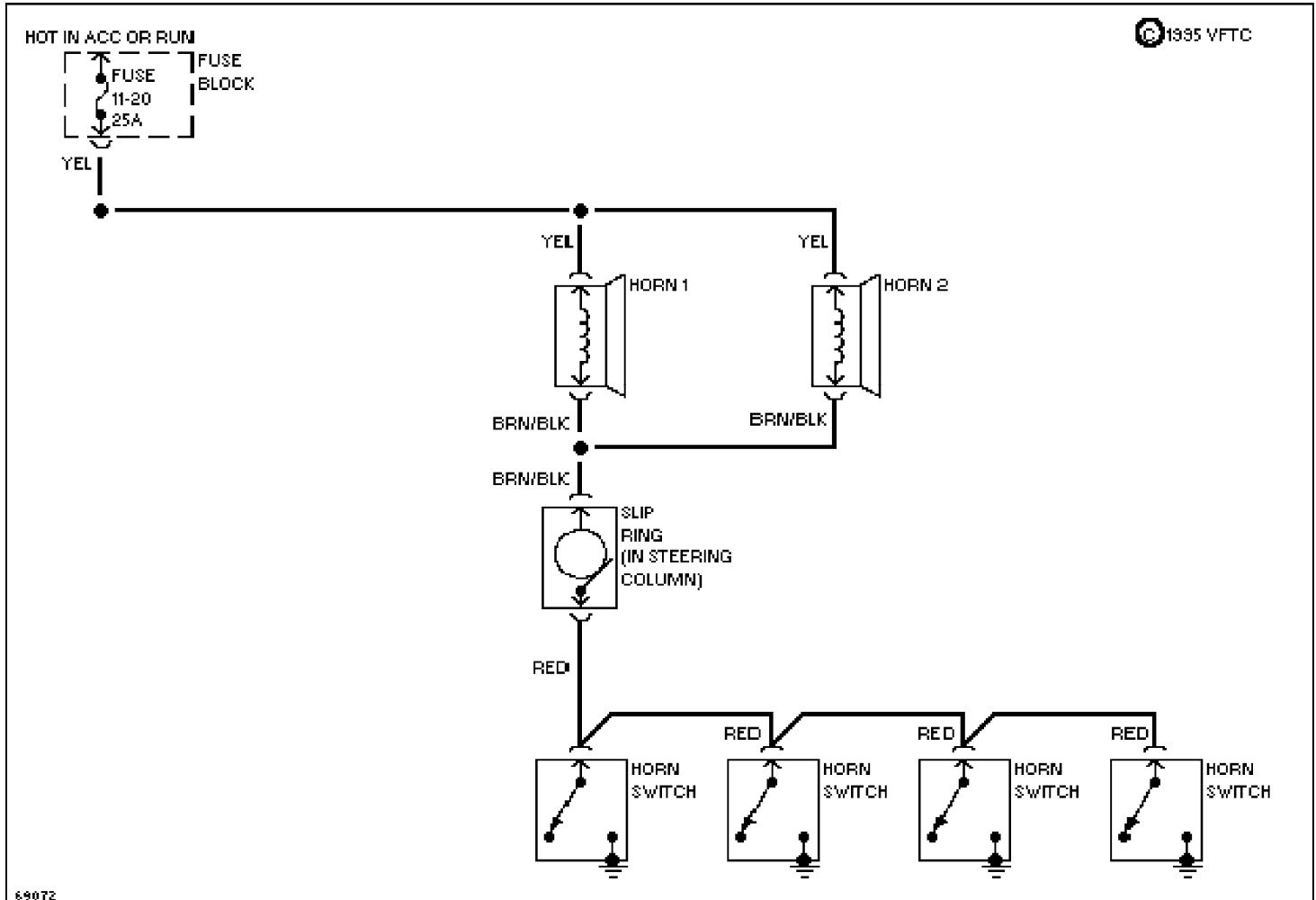
Horn Circuit

1994 Volvo 960

For x

Copyright © 1998 Mitchell Repair Information Company, LLC

Saturday, July 24, 2004 10:06AM



SYSTEM WIRING DIAGRAMS

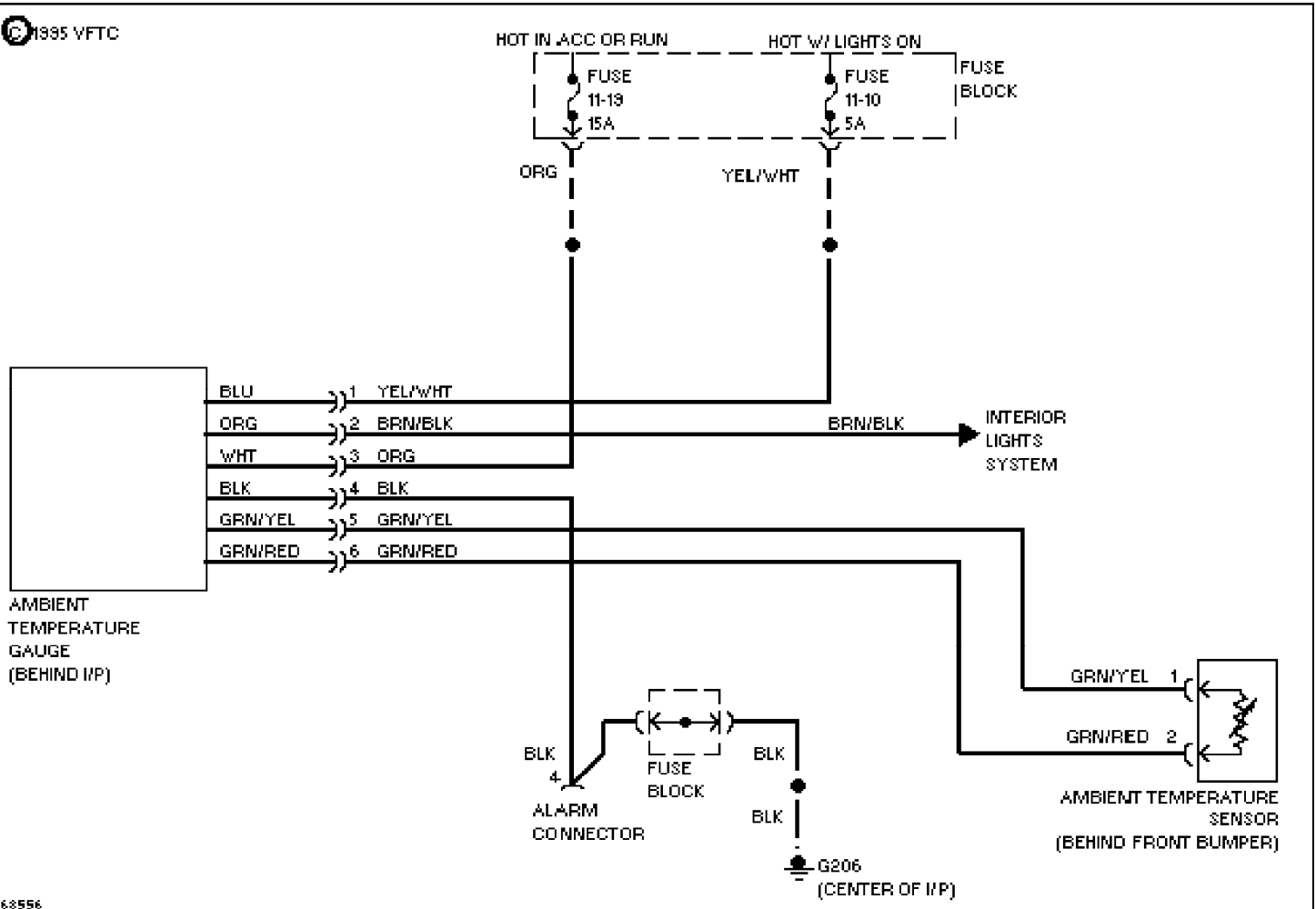
Ambient Temperature Gauge

1994 Volvo 960

For x

Copyright © 1998 Mitchell Repair Information Company, LLC
Saturday, July 24, 2004 10:06AM

© 1995 VFTC



68556

SYSTEM WIRING DIAGRAMS

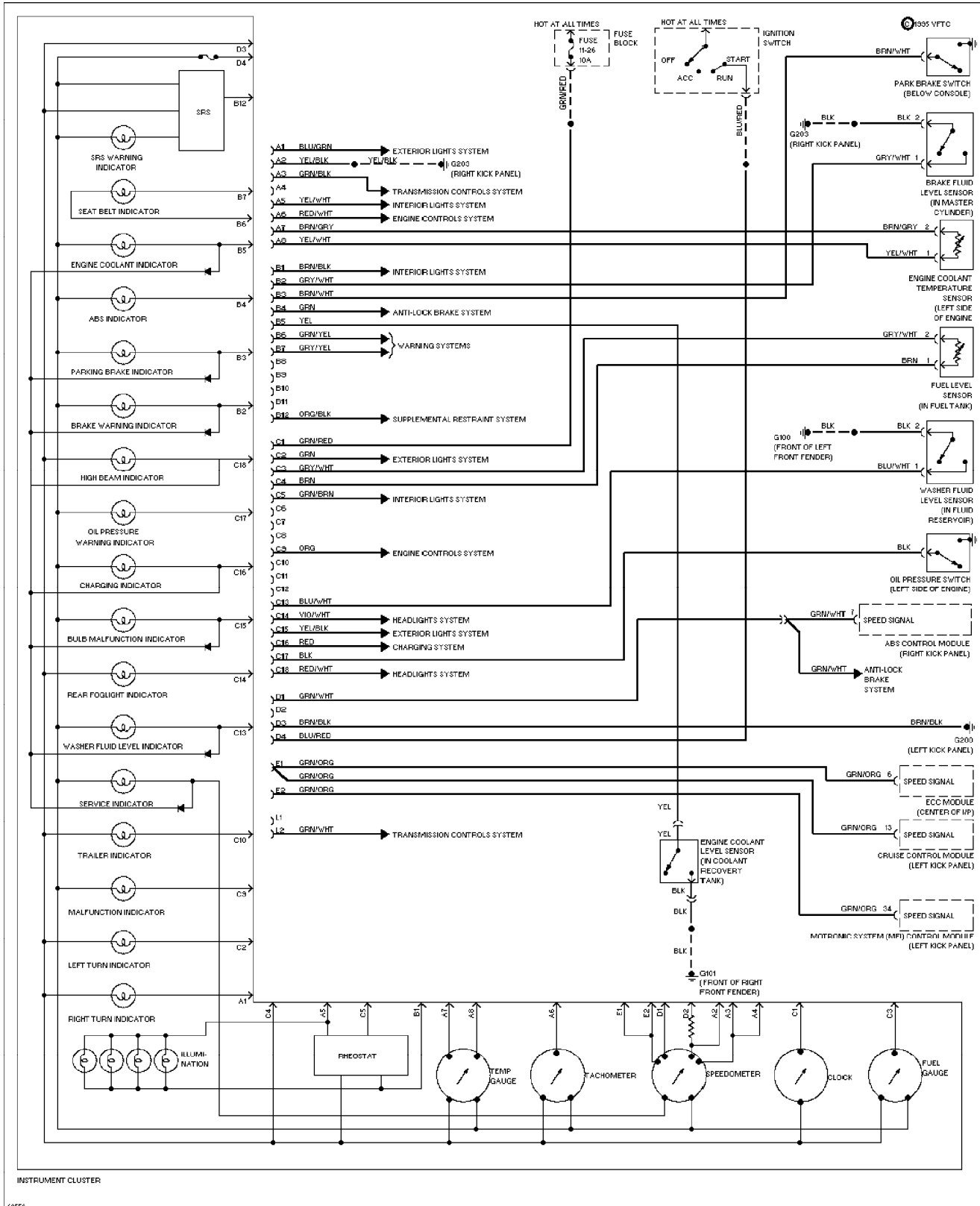
Instrument Cluster Circuit

1994 Volvo 960

For x

Copyright © 1998 Mitchell Repair Information Company, LLC

Saturday, July 24, 2004 10:06AM



SYSTEM WIRING DIAGRAMS

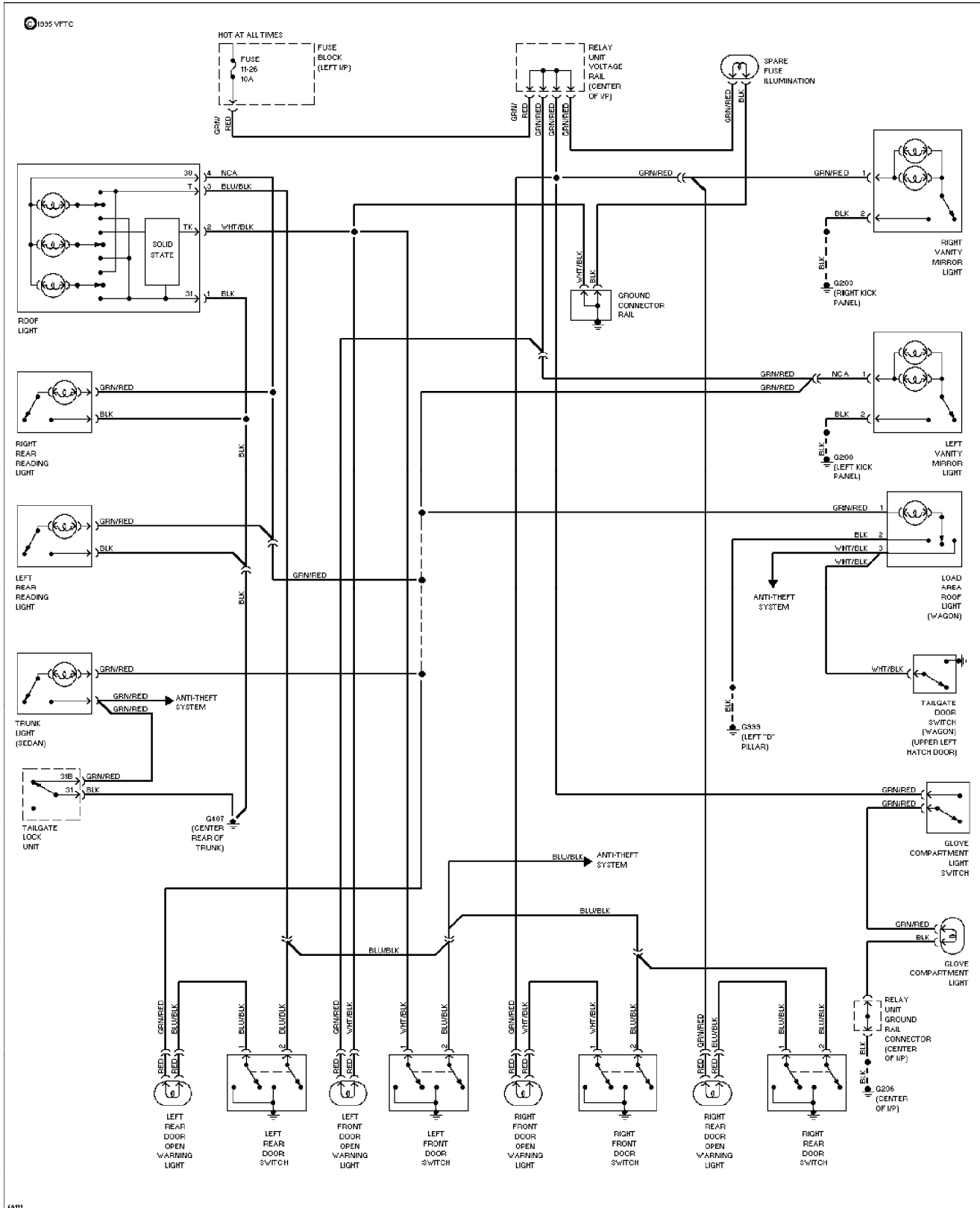
Courtesy Lamp Circuit

1994 Volvo 960

For x

Copyright © 1998 Mitchell Repair Information Company, LLC

Saturday, July 24, 2004 10:06AM



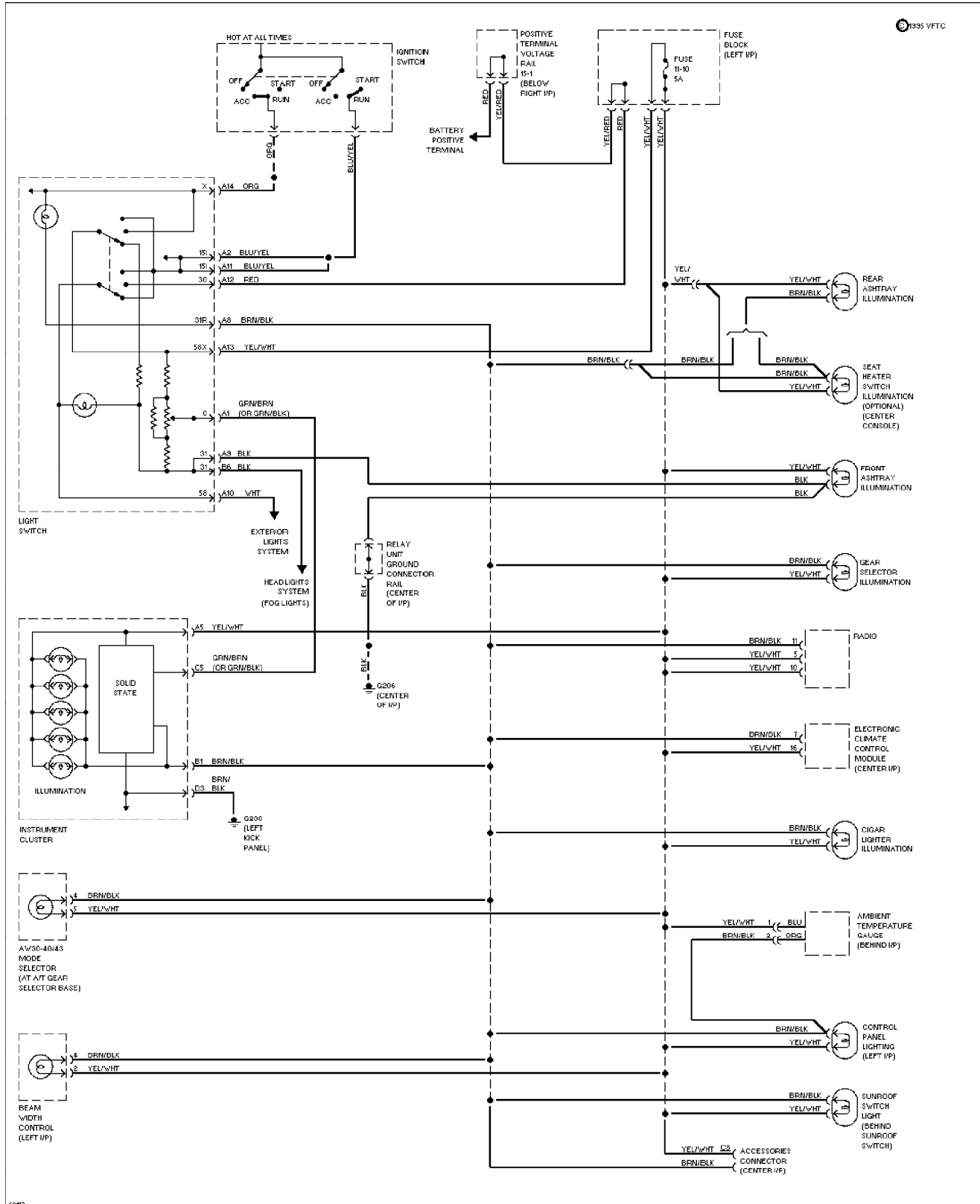
SYSTEM WIRING DIAGRAMS

Instrument Illumination Circuit

1994 Volvo 960

For x

Copyright © 1998 Mitchell Repair Information Company, LLC
 Saturday, July 24, 2004 10:06AM



SYSTEM WIRING DIAGRAMS

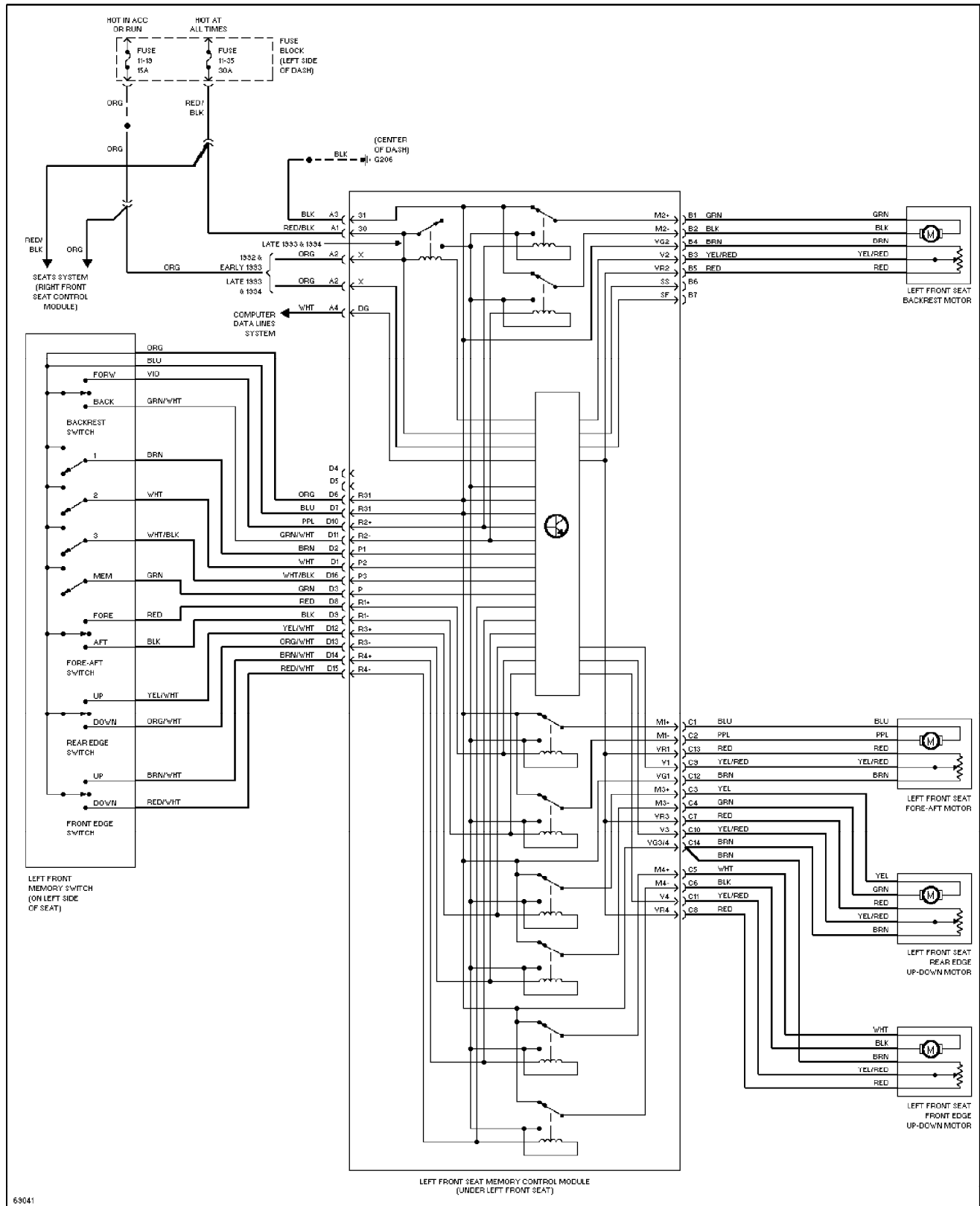
Memory Seat Circuit

1994 Volvo 960

For x

Copyright © 1998 Mitchell Repair Information Company, LLC

Saturday, July 24, 2004 10:06AM



SYSTEM WIRING DIAGRAMS

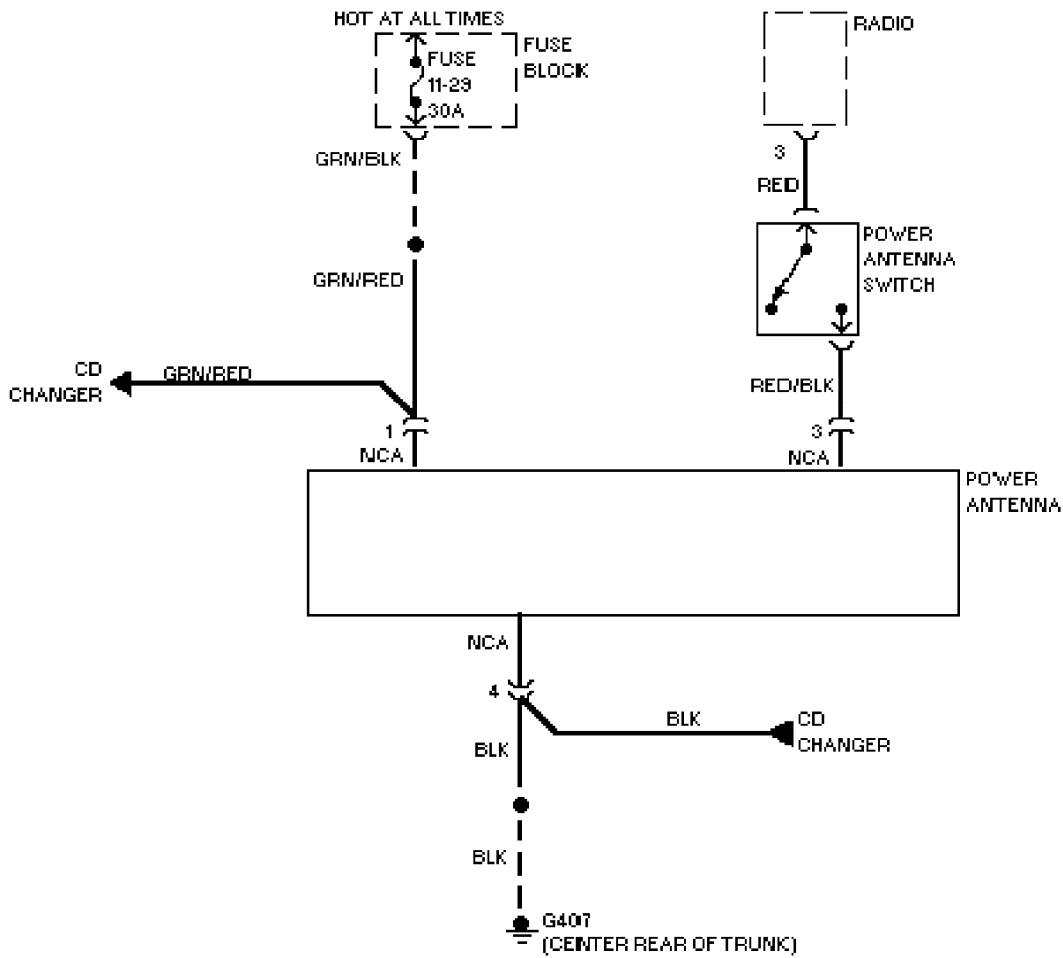
Power Antenna Circuit

1994 Volvo 960

For x

Copyright © 1998 Mitchell Repair Information Company, LLC

Saturday, July 24, 2004 10:06AM



SYSTEM WIRING DIAGRAMS

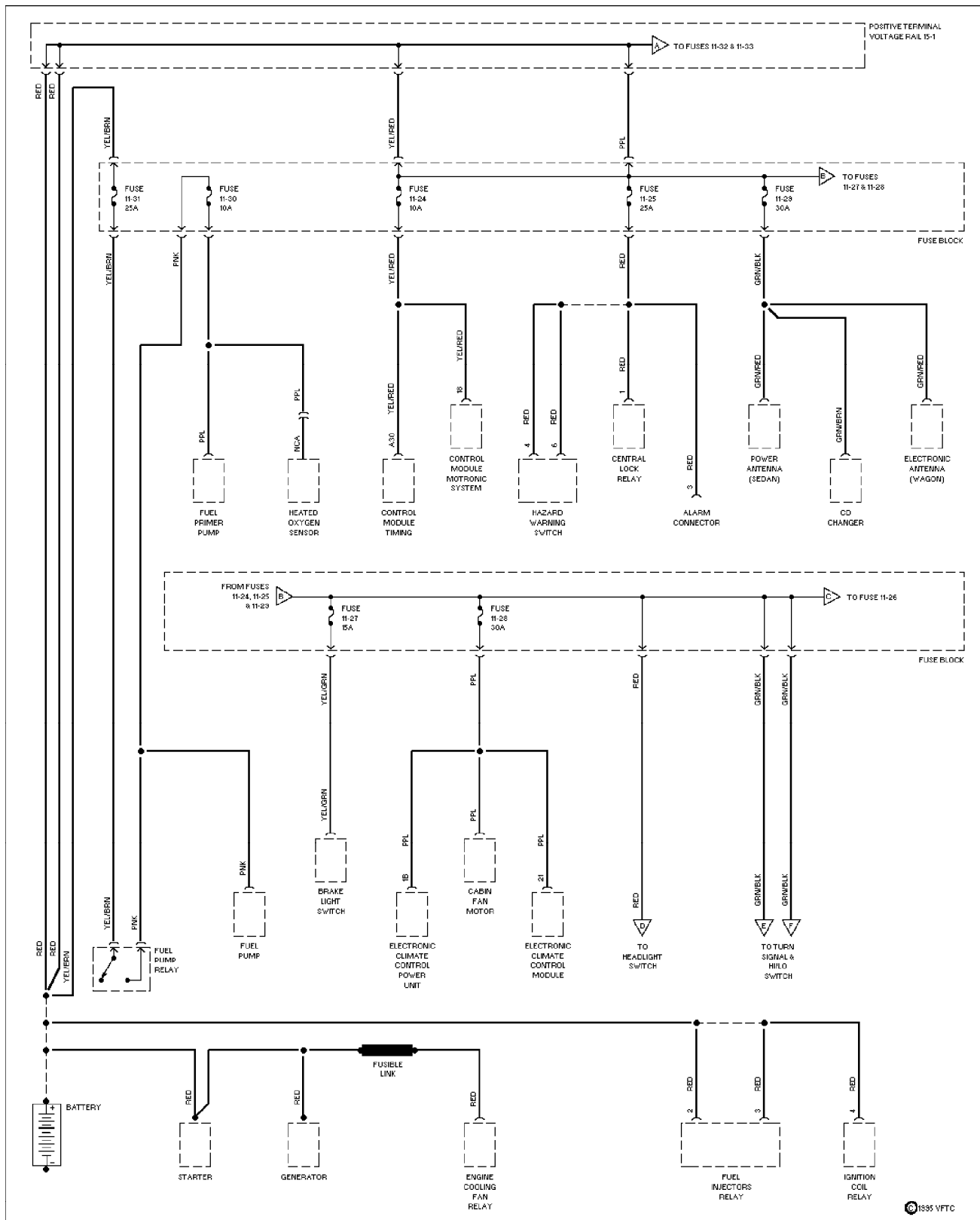
Power Distribution Circuit (1 of 5)

1994 Volvo 960

For x

Copyright © 1998 Mitchell Repair Information Company, LLC

Saturday, July 24, 2004 10:06AM



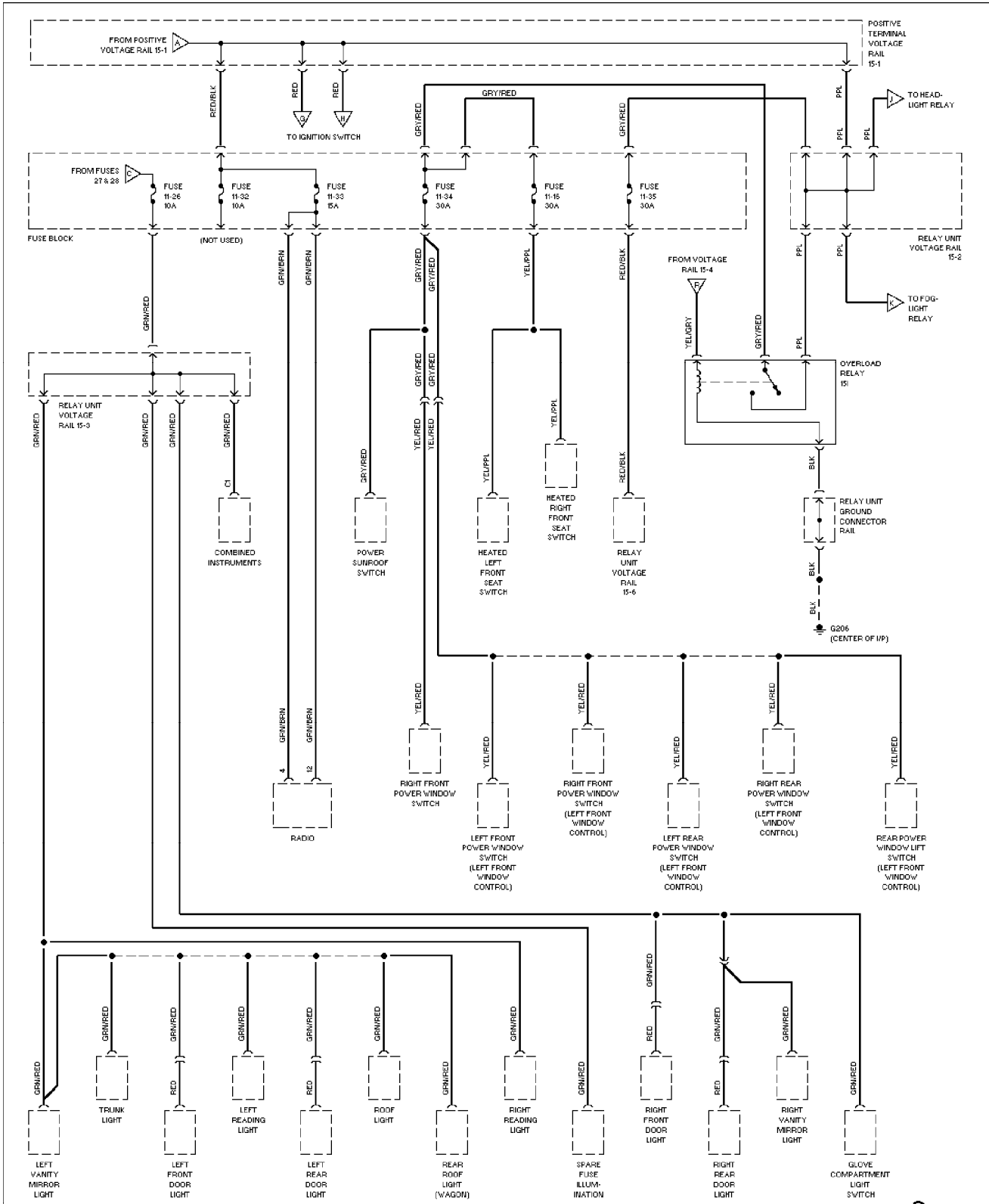
SYSTEM WIRING DIAGRAMS

Power Distribution Circuit (2 of 5)

1994 Volvo 960

For x

Copyright © 1998 Mitchell Repair Information Company, LLC
Saturday, July 24, 2004 10:06AM



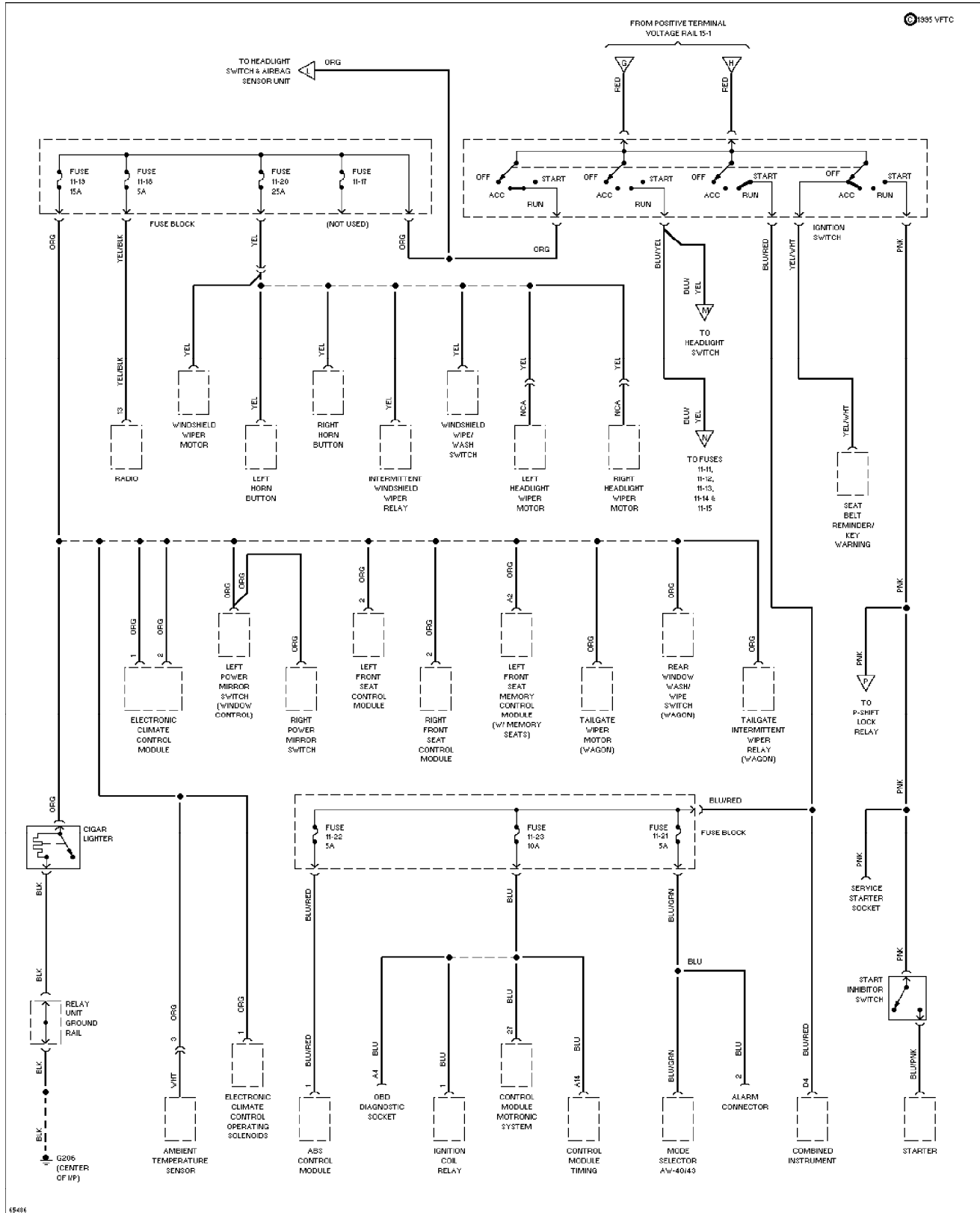
SYSTEM WIRING DIAGRAMS

Power Distribution Circuit (3 of 5)

1994 Volvo 960

For x

Copyright © 1998 Mitchell Repair Information Company, LLC
Saturday, July 24, 2004 10:07AM



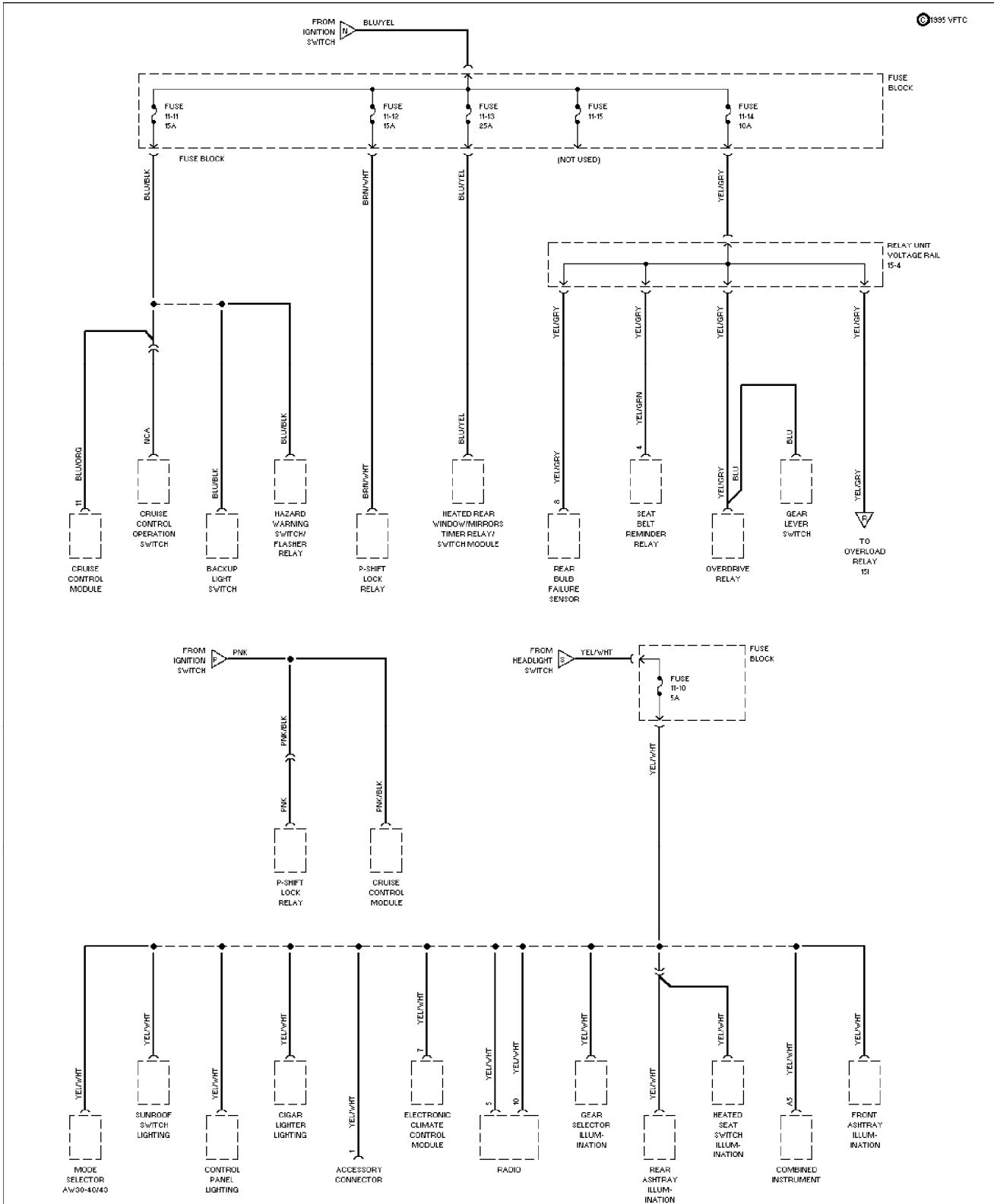
SYSTEM WIRING DIAGRAMS

Power Distribution Circuit (4 of 5)

1994 Volvo 960

For x

Copyright © 1998 Mitchell Repair Information Company, LLC
Saturday, July 24, 2004 10:07AM



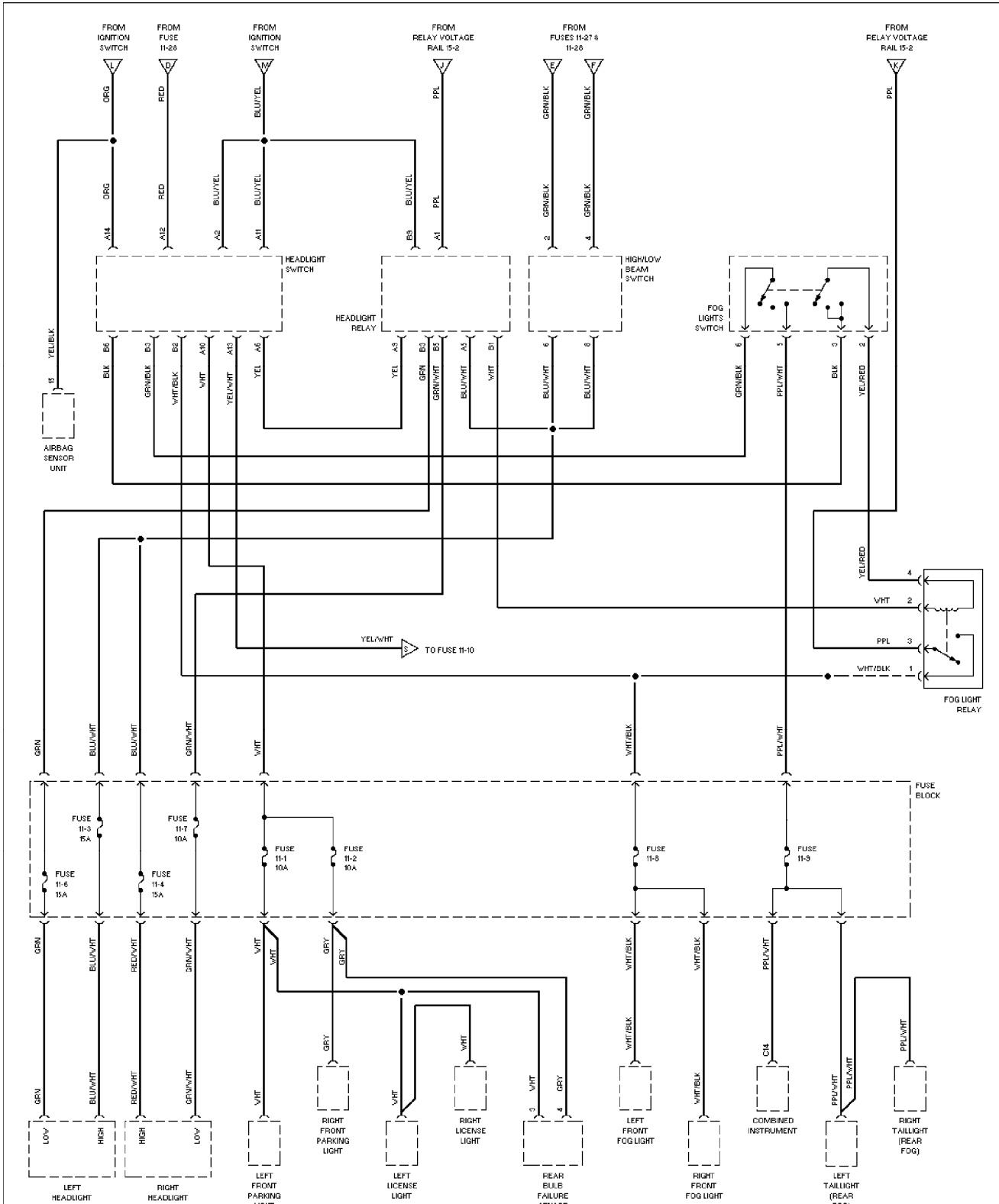
SYSTEM WIRING DIAGRAMS

Power Distribution Circuit (5 of 5)

1994 Volvo 960

For x

Copyright © 1998 Mitchell Repair Information Company, LLC
 Saturday, July 24, 2004 10:07AM



SYSTEM WIRING DIAGRAMS

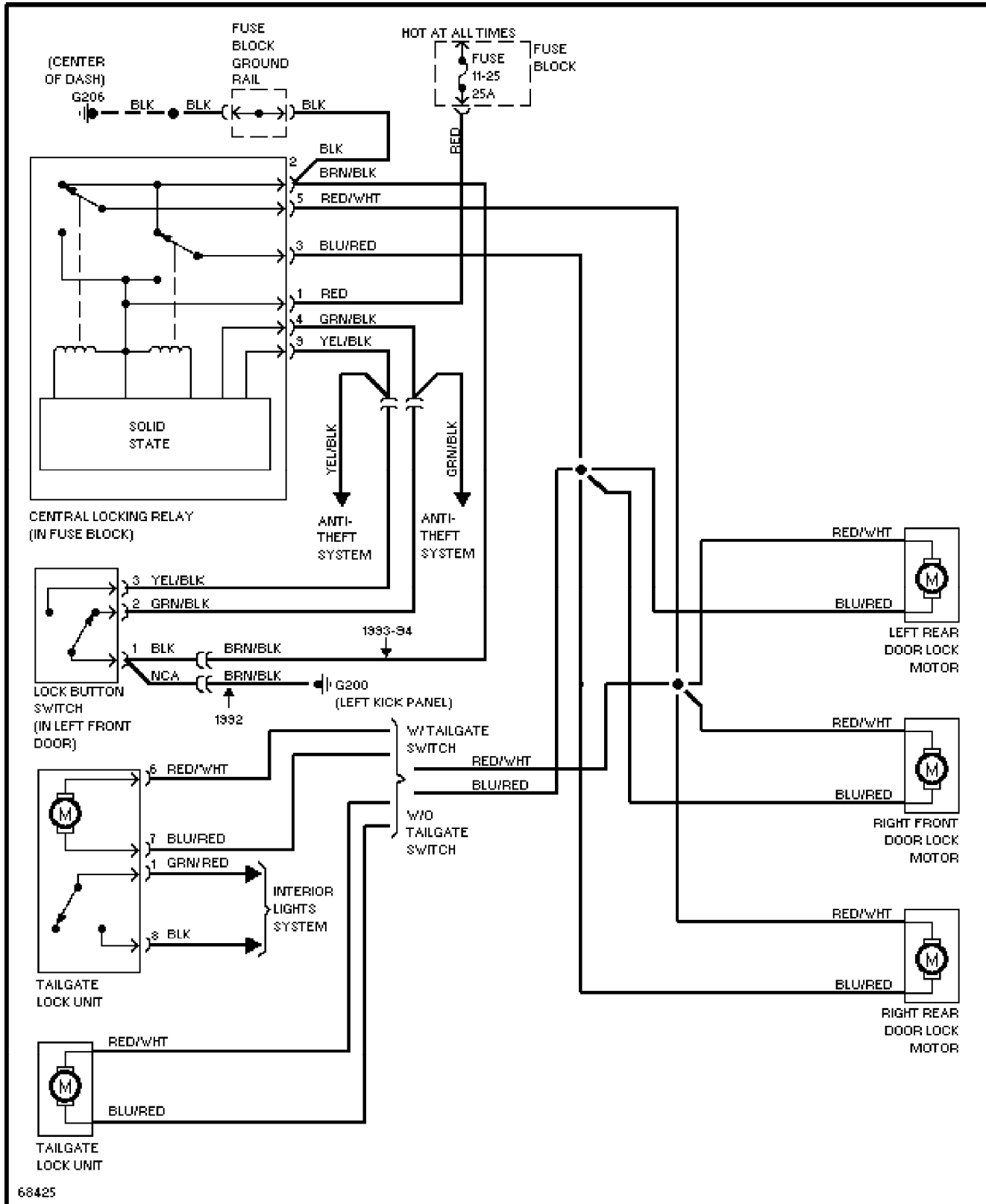
Power Door Lock Circuit

1994 Volvo 960

For x

Copyright © 1998 Mitchell Repair Information Company, LLC

Saturday, July 24, 2004 10:07AM



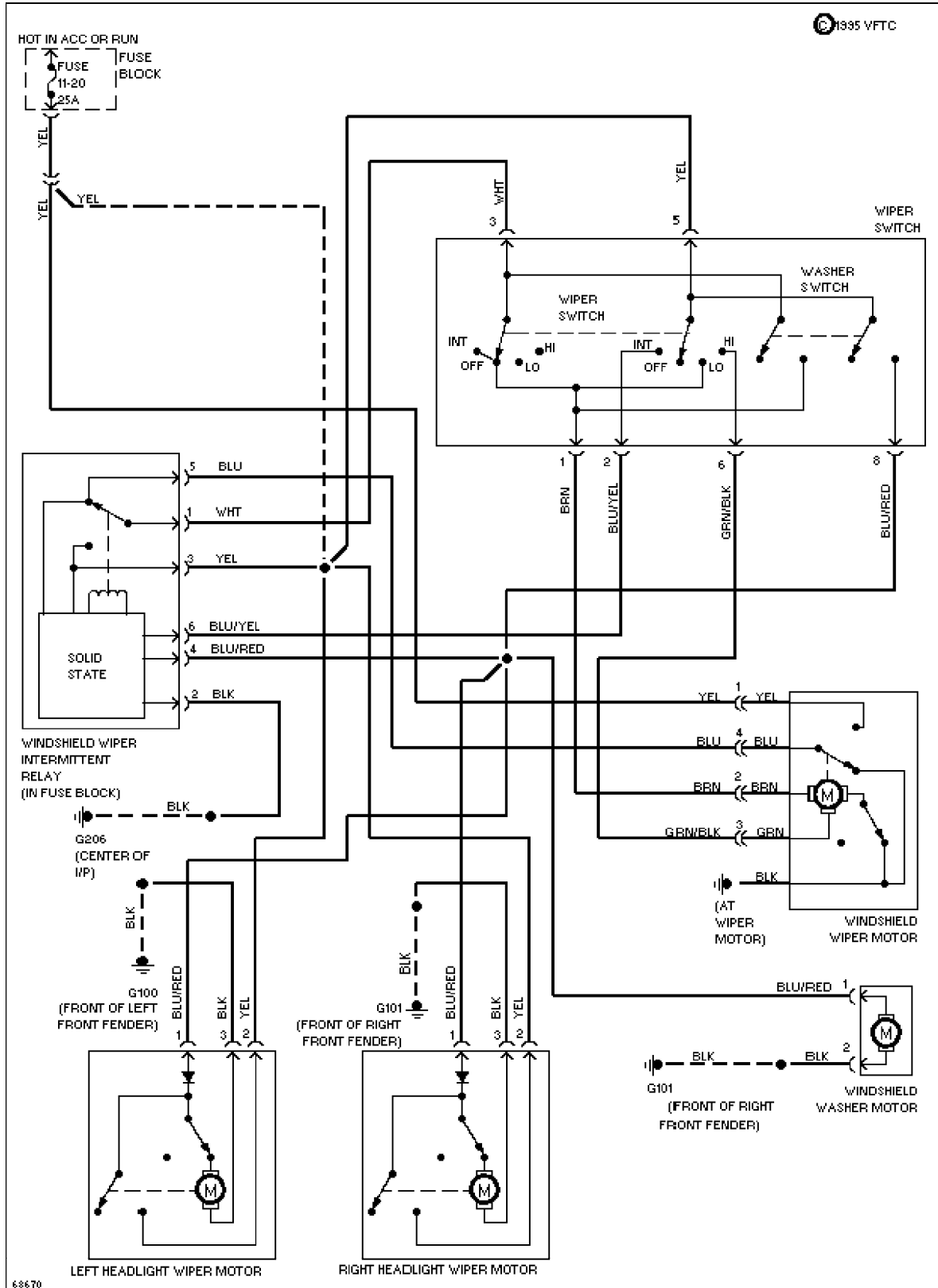
SYSTEM WIRING DIAGRAMS

Front Wiper/Washer & Headlamp Wiper/Washer Circuit

1994 Volvo 960

For x

Copyright © 1998 Mitchell Repair Information Company, LLC
Saturday, July 24, 2004 10:12AM



SYSTEM WIRING DIAGRAMS

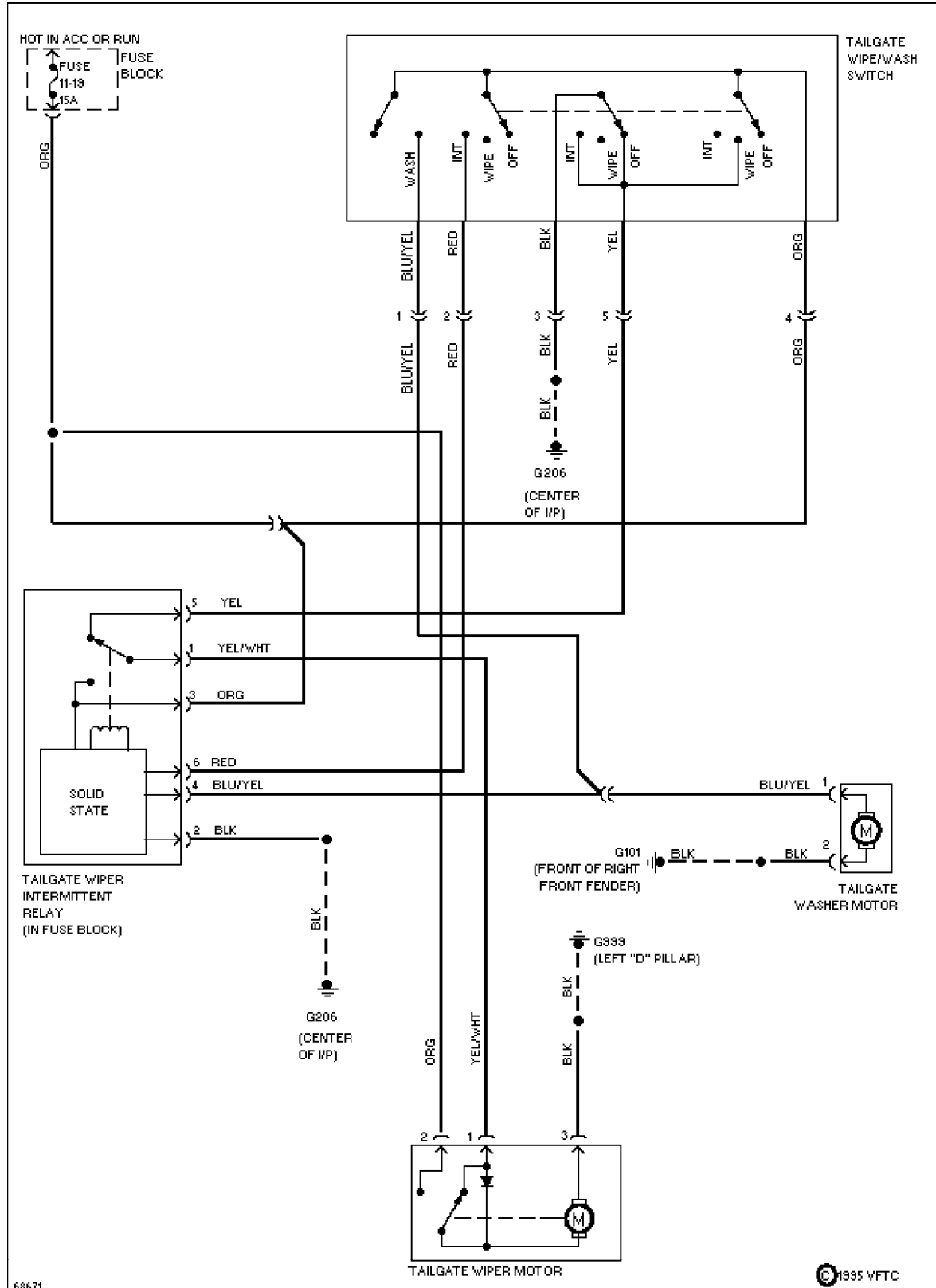
Rear Wiper/Washer Circuit

1994 Volvo 960

For x

Copyright © 1998 Mitchell Repair Information Company, LLC

Saturday, July 24, 2004 10:12AM



SYSTEM WIRING DIAGRAMS

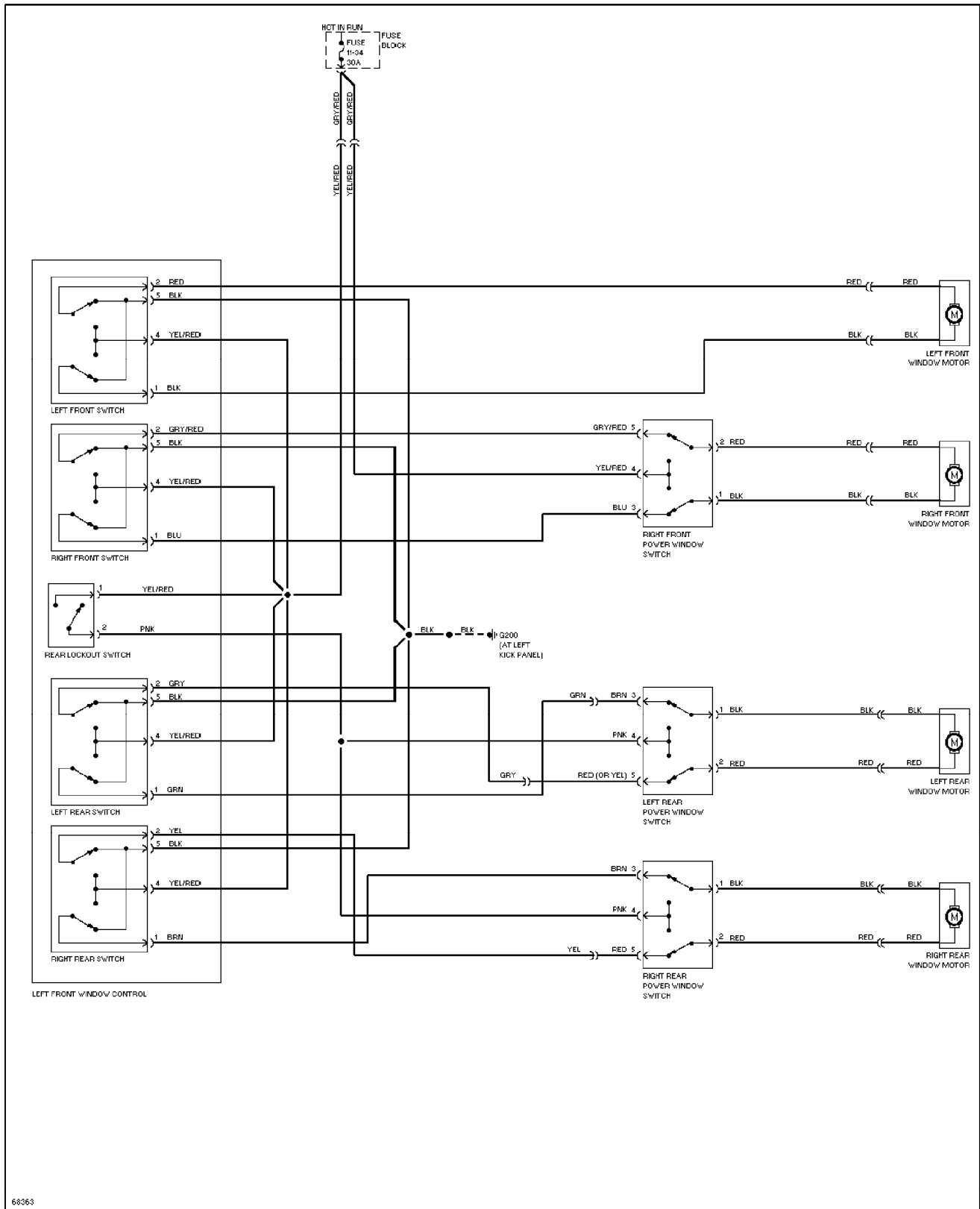
Power Window Circuit

1994 Volvo 960

For x

Copyright © 1998 Mitchell Repair Information Company, LLC

Saturday, July 24, 2004 10:11AM



SYSTEM WIRING DIAGRAMS

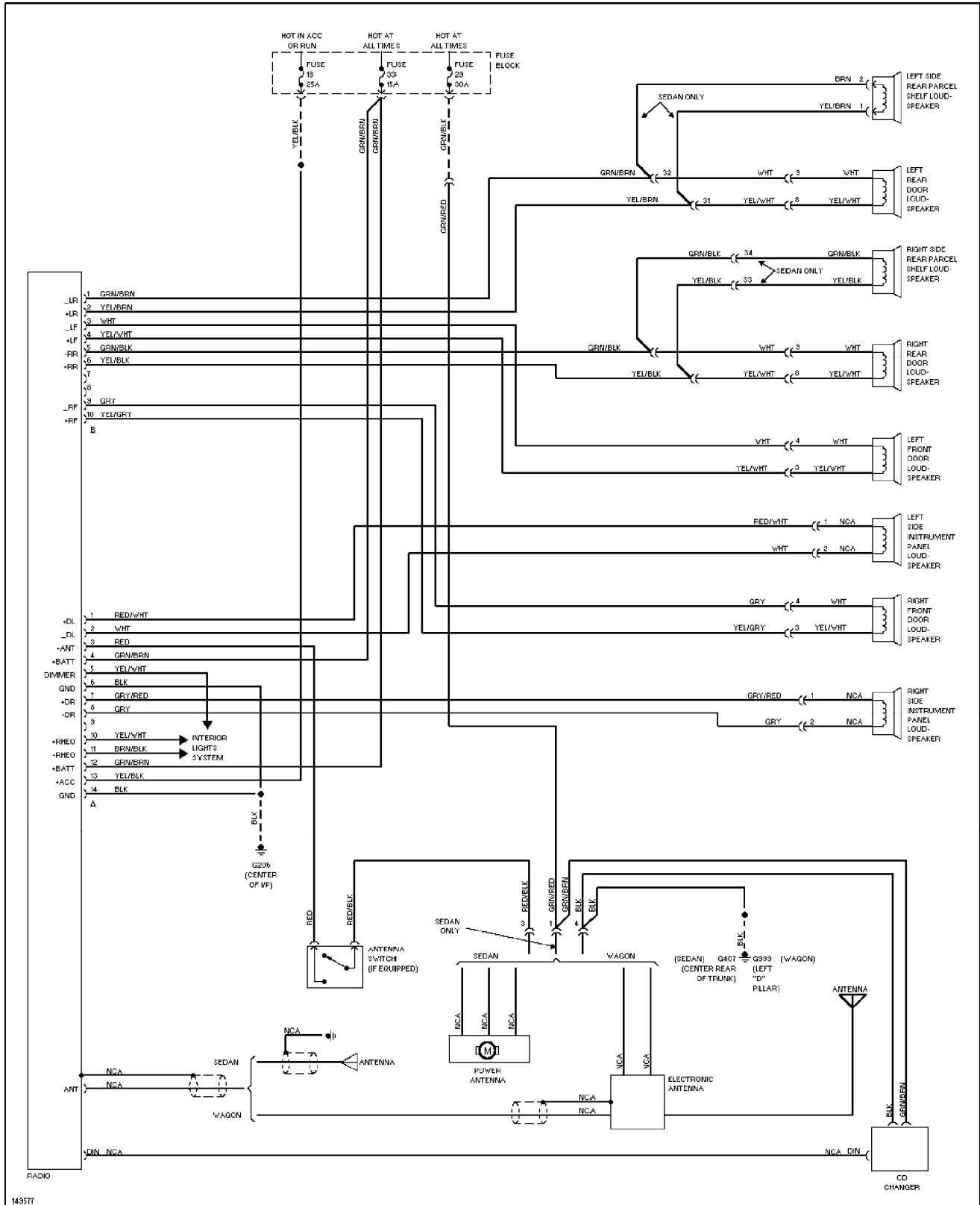
Radio Circuits

1994 Volvo 960

For x

Copyright © 1998 Mitchell Repair Information Company, LLC

Saturday, July 24, 2004 10:11AM



SYSTEM WIRING DIAGRAMS

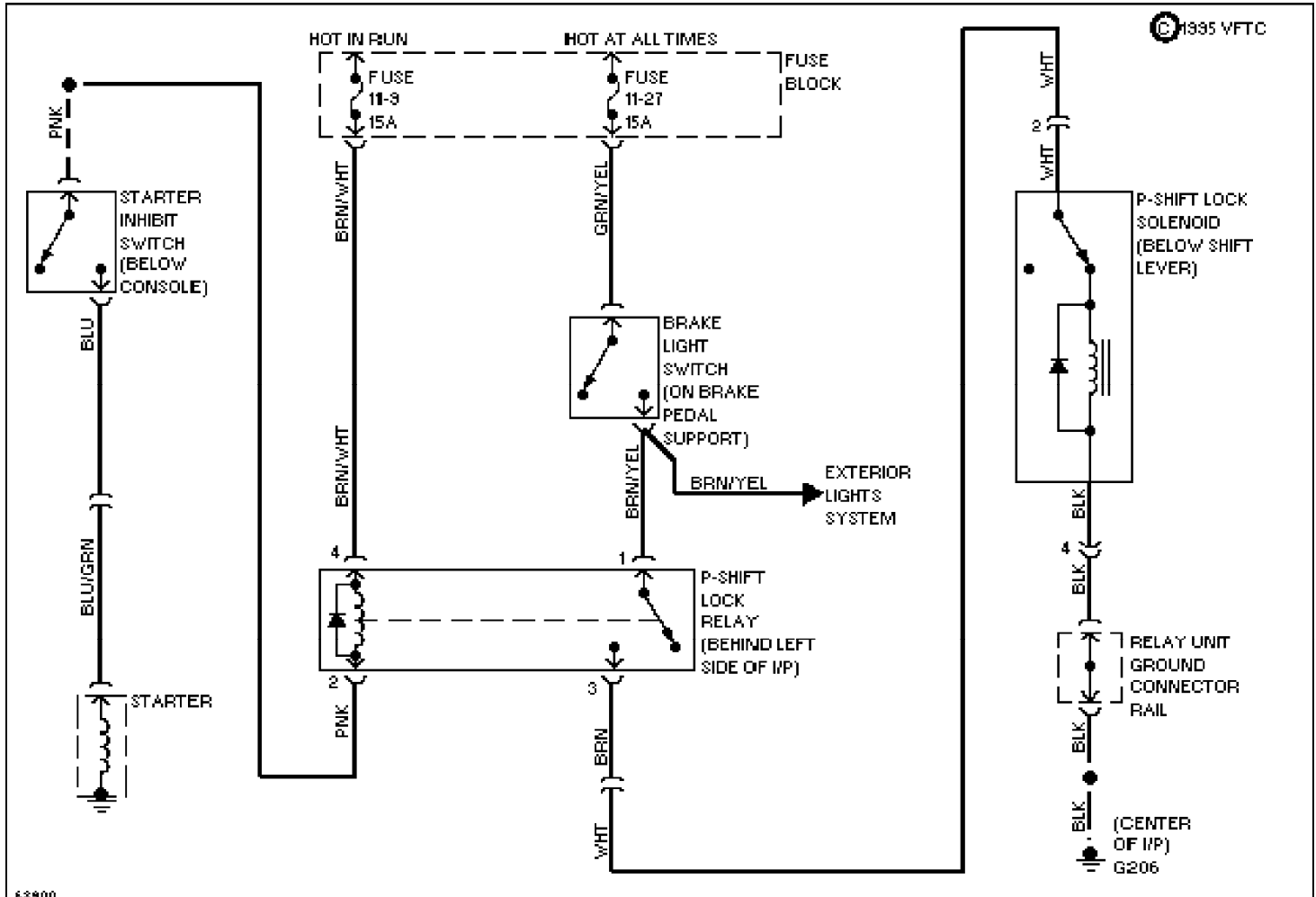
Shift Interlock Circuit

1994 Volvo 960

For x

Copyright © 1998 Mitchell Repair Information Company, LLC

Saturday, July 24, 2004 10:11AM



SYSTEM WIRING DIAGRAMS

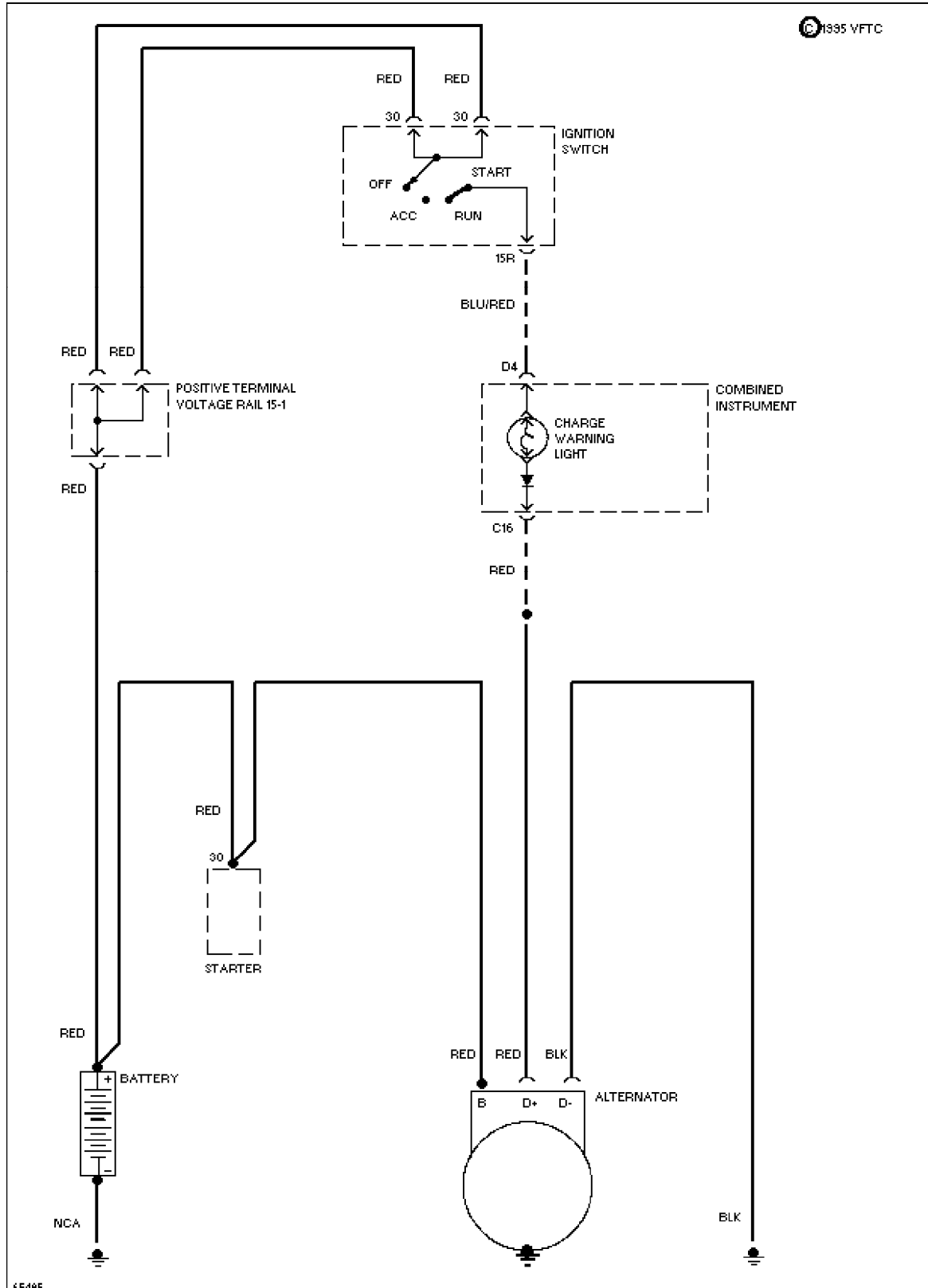
Charging Circuit

1994 Volvo 960

For x

Copyright © 1998 Mitchell Repair Information Company, LLC

Saturday, July 24, 2004 10:11AM



SYSTEM WIRING DIAGRAMS

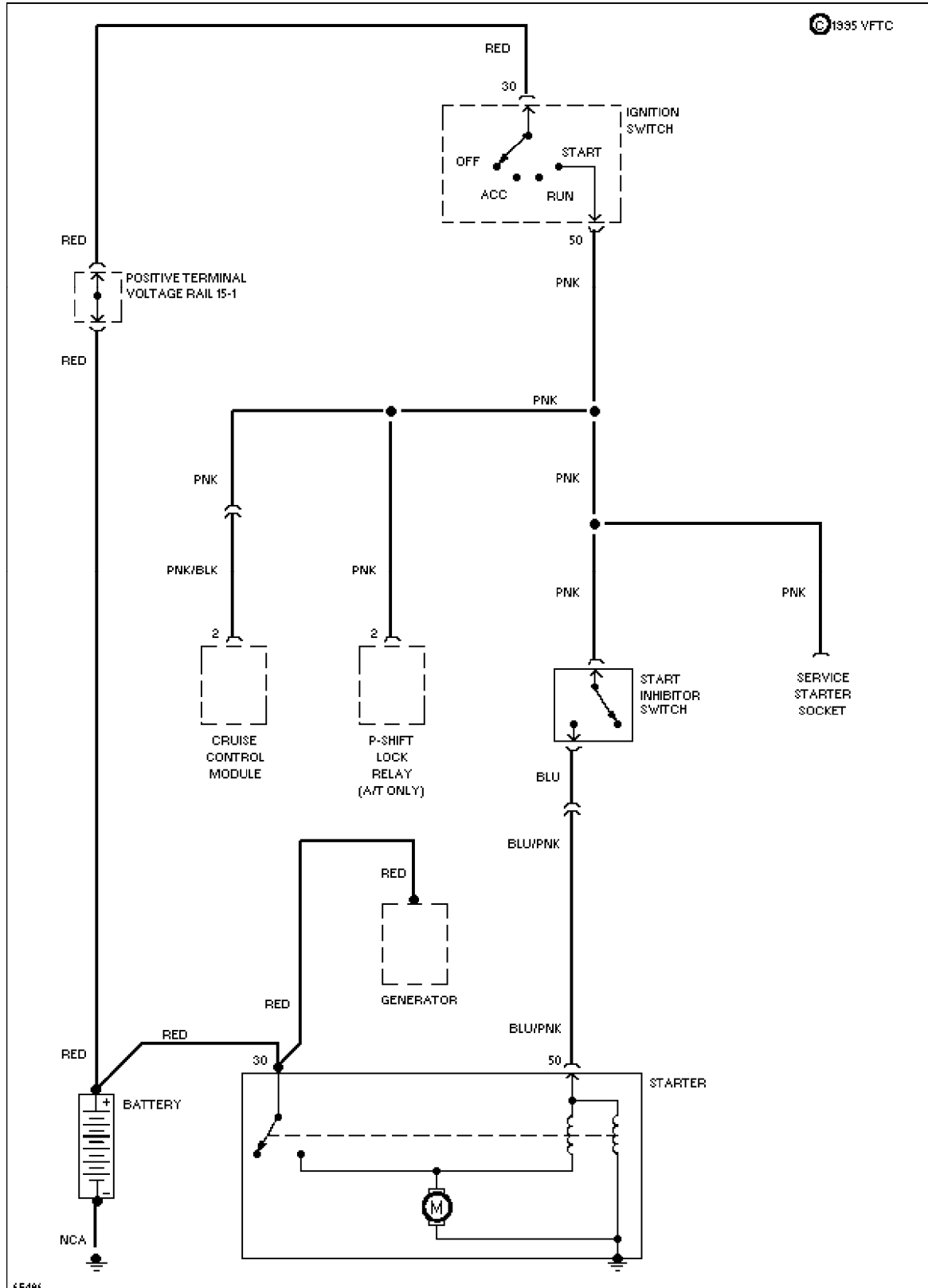
Starting Circuit

1994 Volvo 960

For x

Copyright © 1998 Mitchell Repair Information Company, LLC

Saturday, July 24, 2004 10:12AM



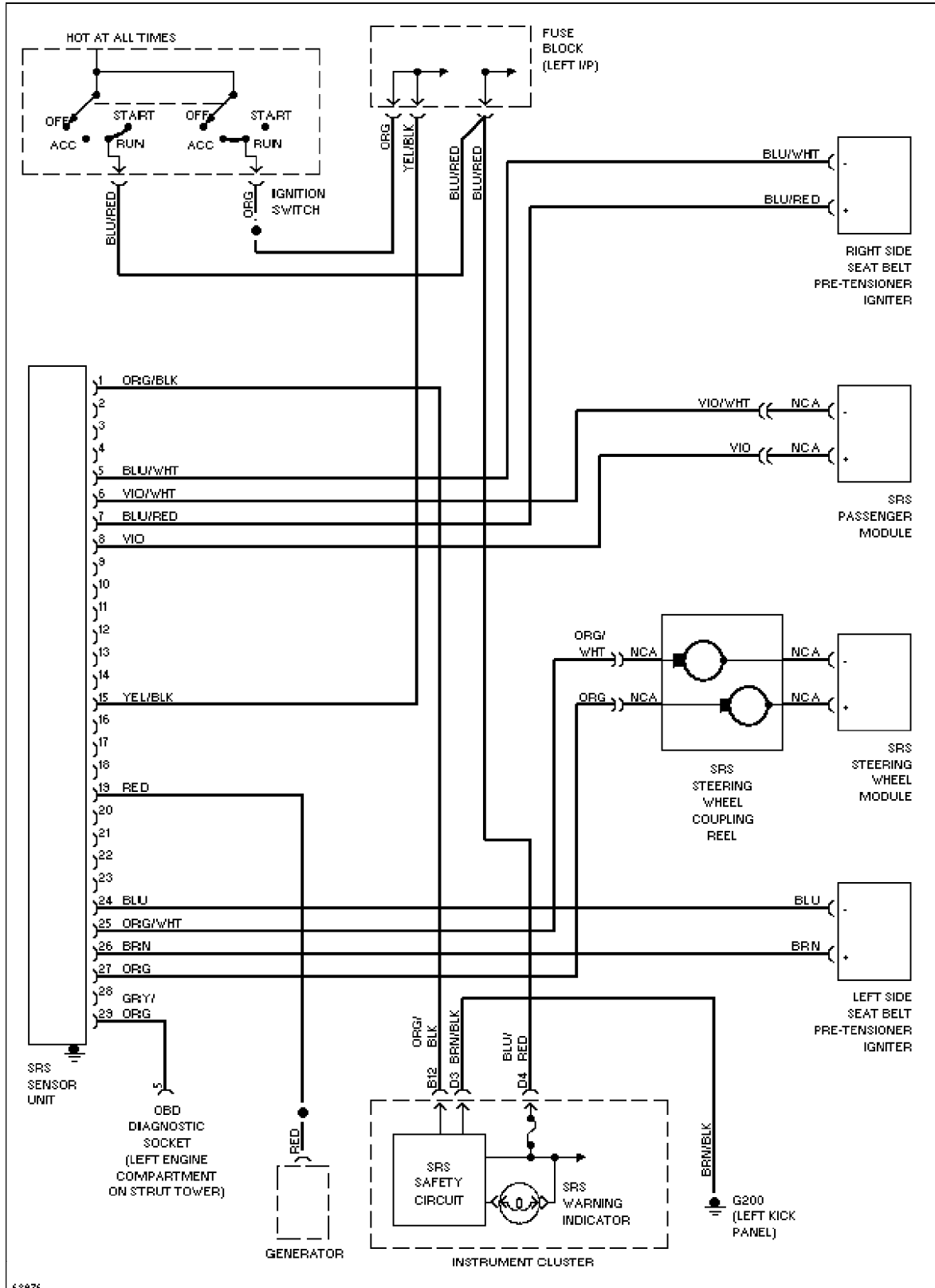
SYSTEM WIRING DIAGRAMS

Supplemental Restraint Circuit

1994 Volvo 960

For x

Copyright © 1998 Mitchell Repair Information Company, LLC
 Saturday, July 24, 2004 10:12AM



SYSTEM WIRING DIAGRAMS

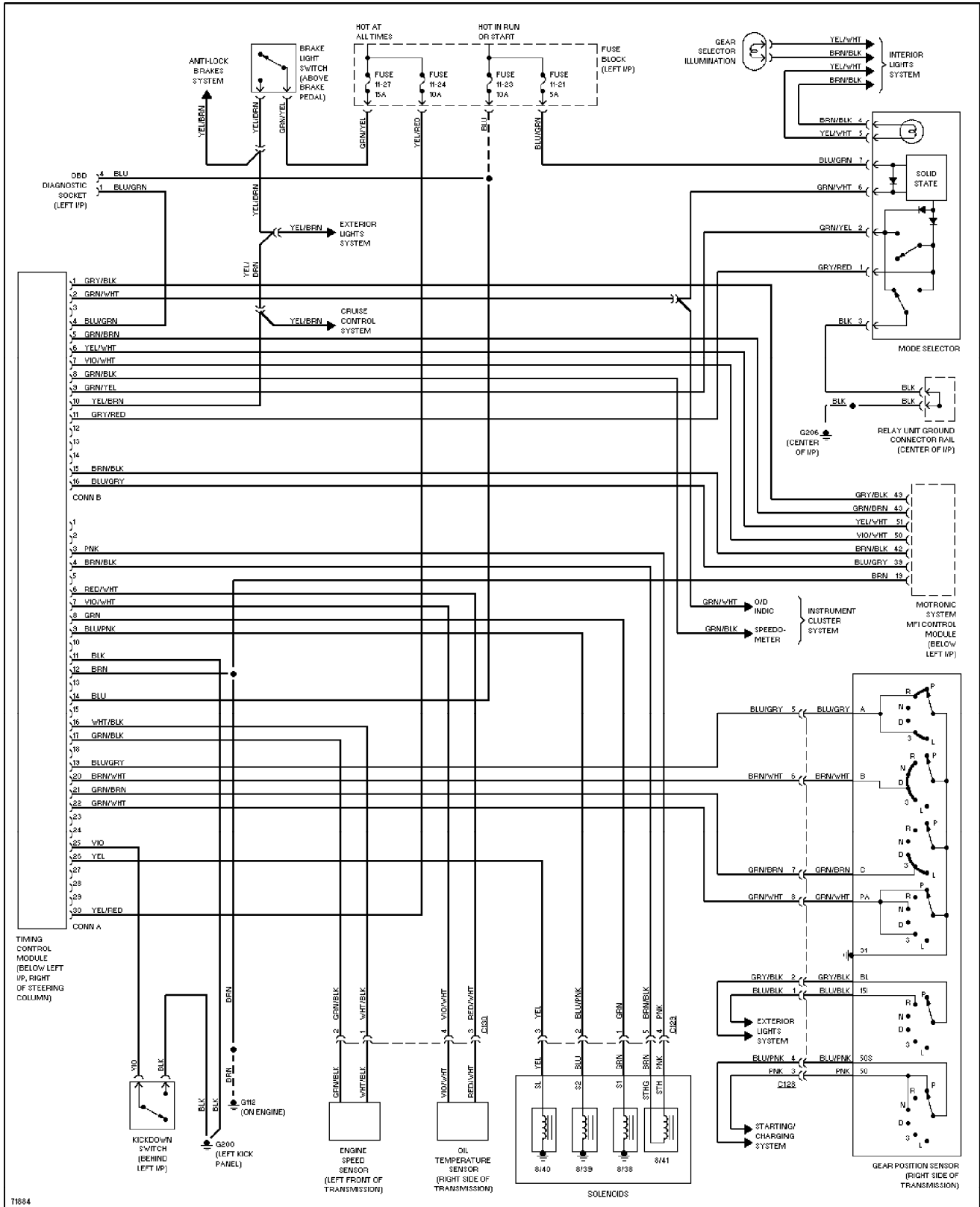
Transmission Circuit

1994 Volvo 960

For x

Copyright © 1998 Mitchell Repair Information Company, LLC

Saturday, July 24, 2004 10:12AM



SYSTEM WIRING DIAGRAMS

Warning System Circuits

1994 Volvo 960

For x

Copyright © 1998 Mitchell Repair Information Company, LLC

Saturday, July 24, 2004 10:12AM

