

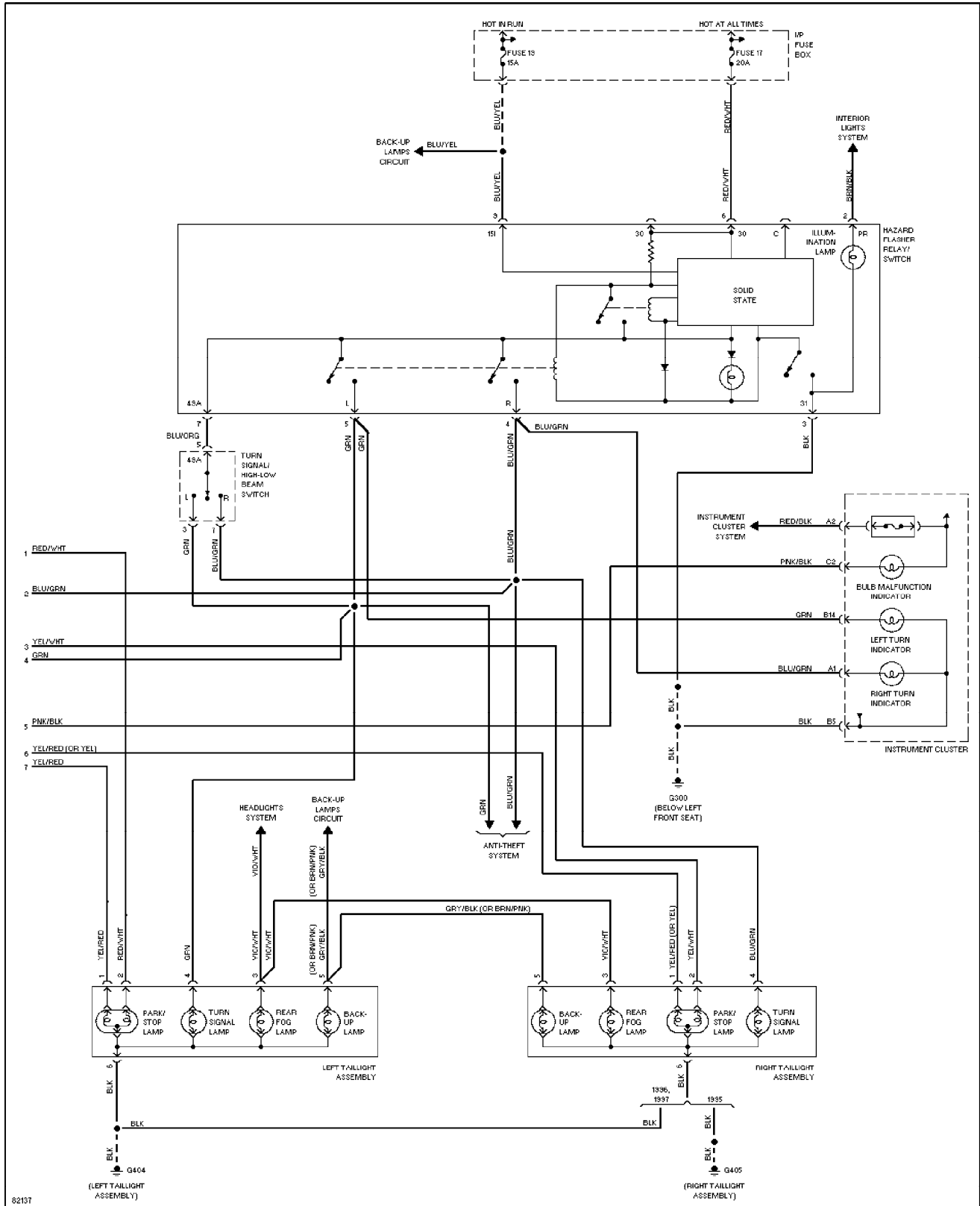
SYSTEM WIRING DIAGRAMS

Exterior Lamps Circuit, Wagon (2 of 2)

1995 Volvo 960

For x

Copyright © 1998 Mitchell Repair Information Company, LLC
Saturday, July 24, 2004 10:43AM



SYSTEM WIRING DIAGRAMS

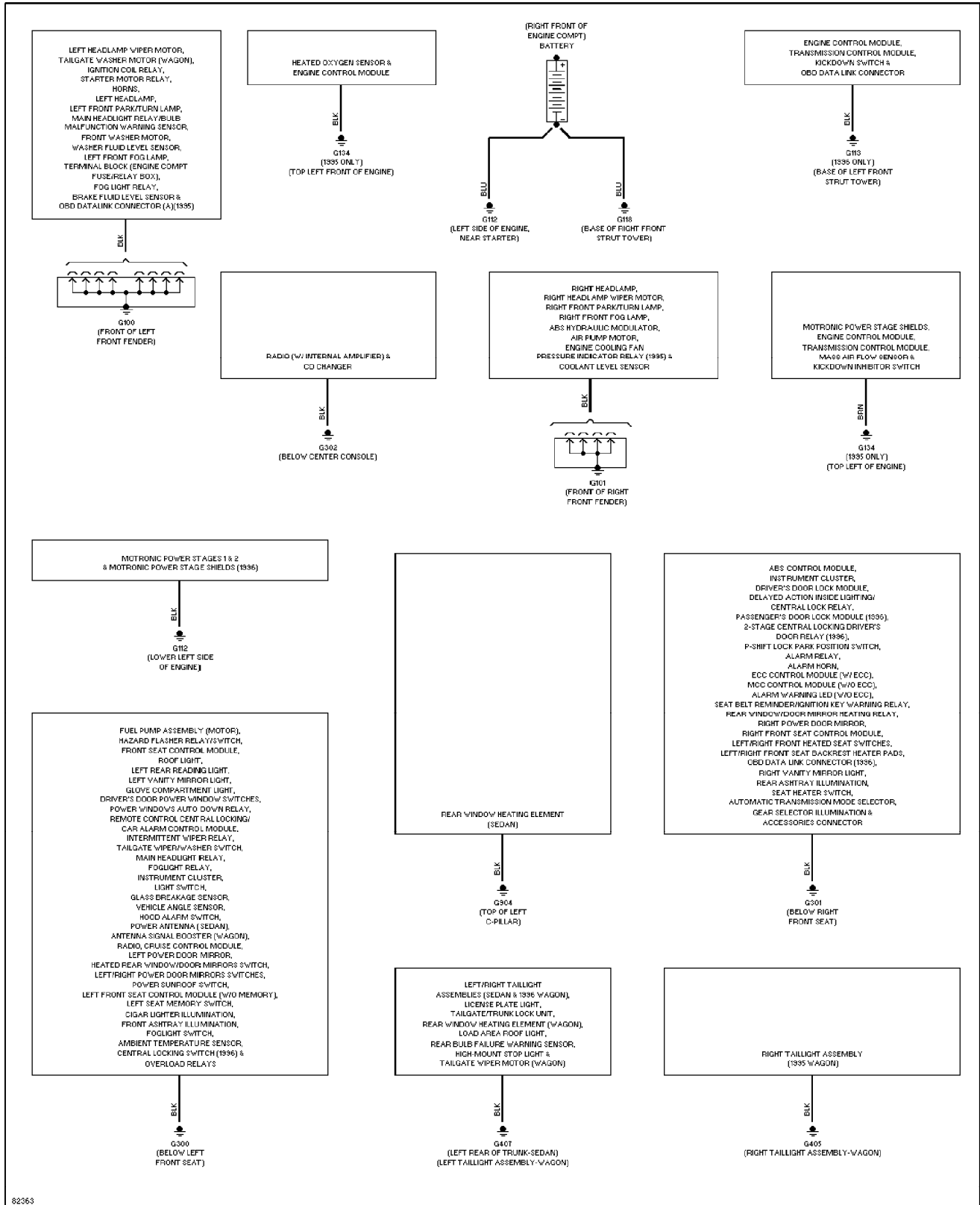
Ground Distribution Circuit

1995 Volvo 960

For x

Copyright © 1998 Mitchell Repair Information Company, LLC

Saturday, July 24, 2004 10:43AM



SYSTEM WIRING DIAGRAMS

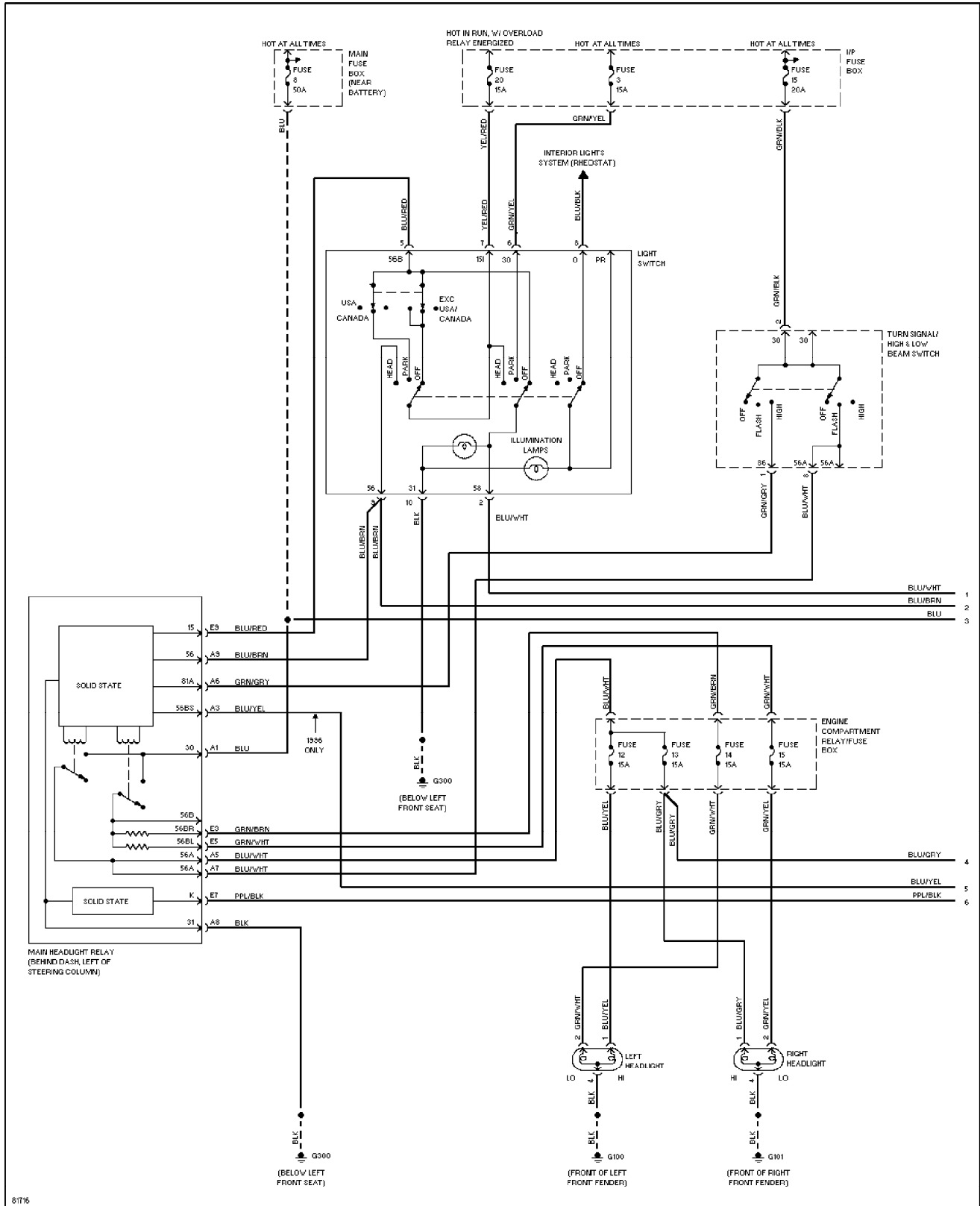
Headlamps/Fog Lamps Circuit, Canada (1 of 2)

1995 Volvo 960

For x

Copyright © 1998 Mitchell Repair Information Company, LLC

Saturday, July 24, 2004 10:44AM



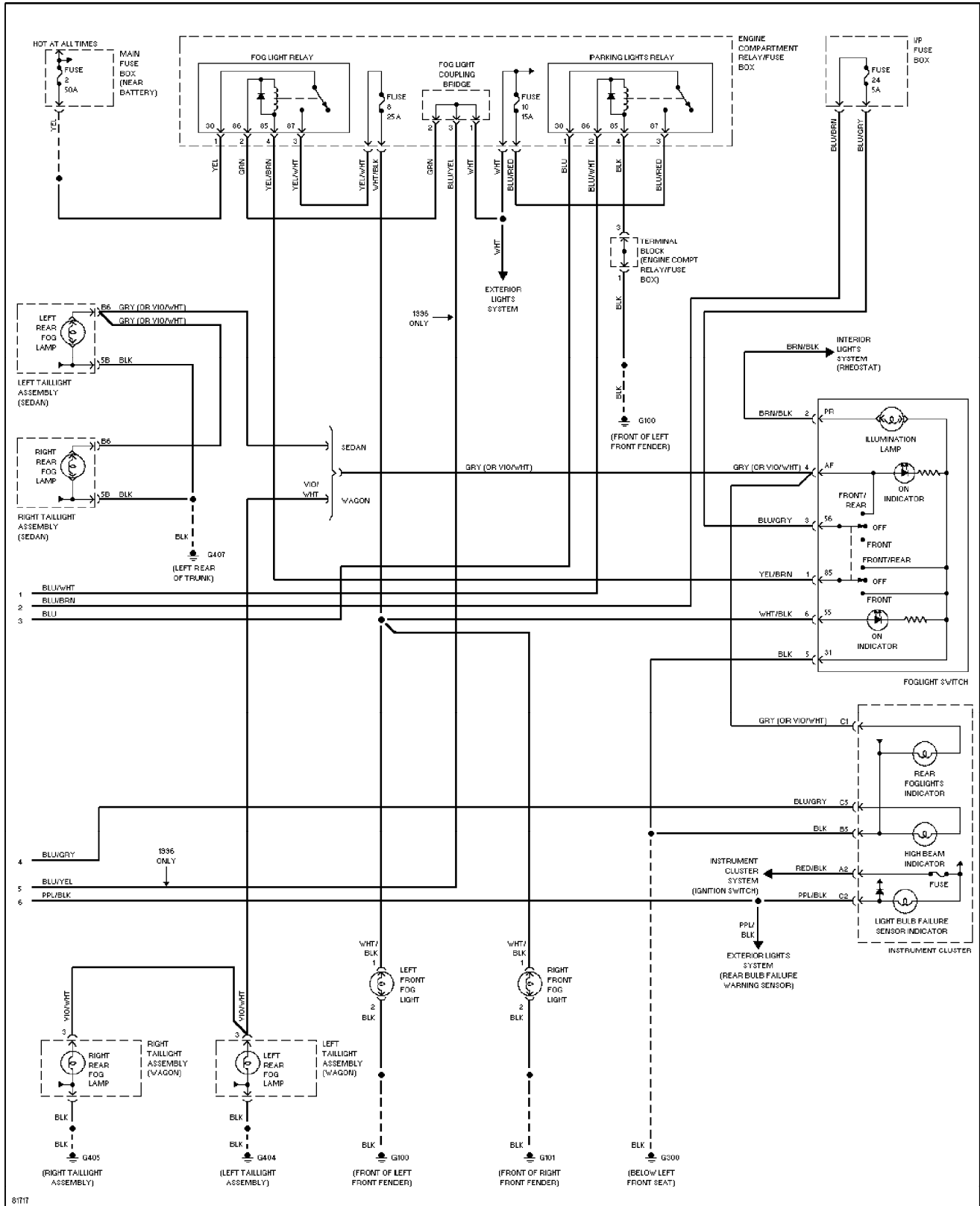
SYSTEM WIRING DIAGRAMS

Headlamps/Fog Lamps Circuit, Canada (2 of 2)

1995 Volvo 960

For x

Copyright © 1998 Mitchell Repair Information Company, LLC
Saturday, July 24, 2004 10:44AM



SYSTEM WIRING DIAGRAMS

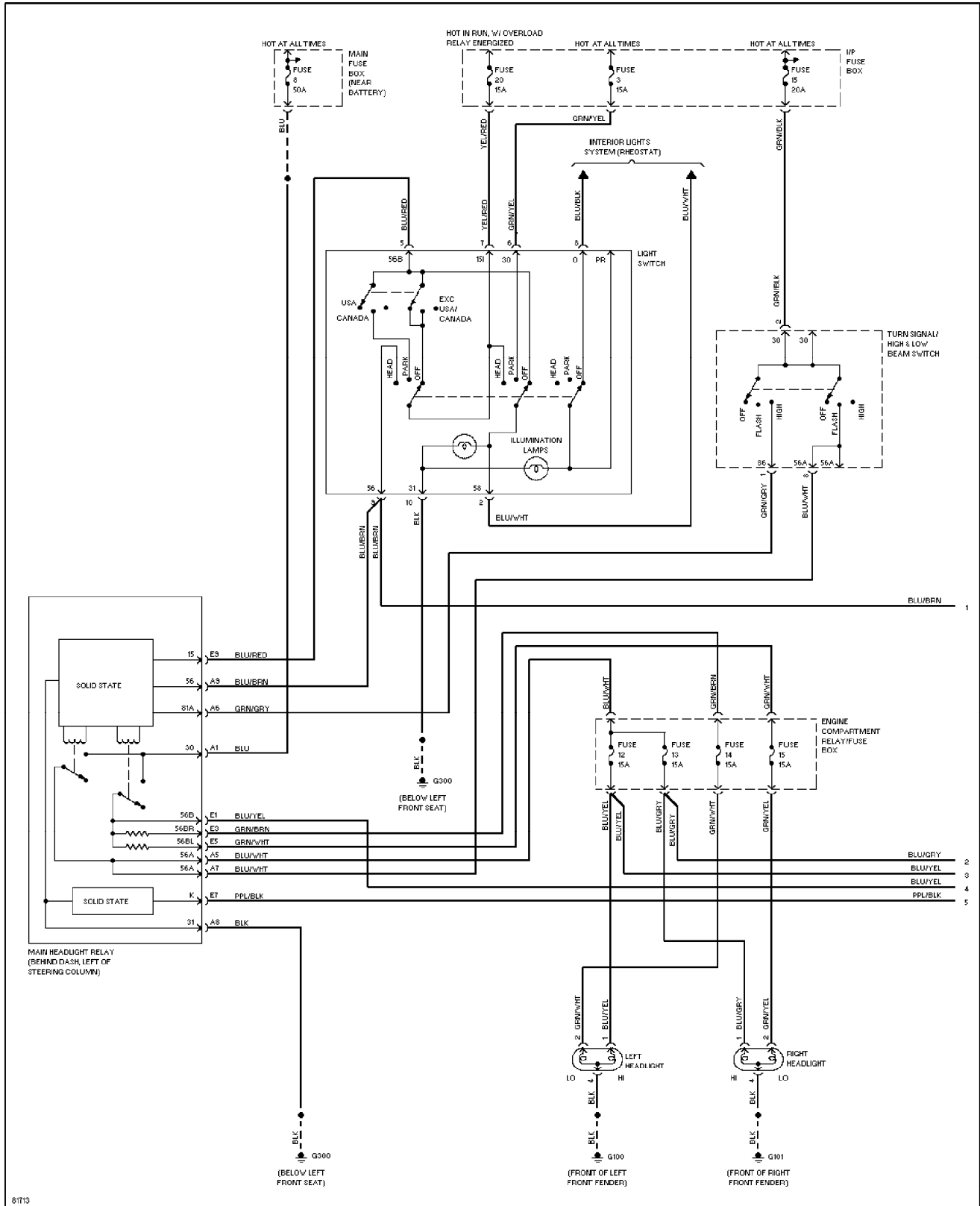
Headlamps/Fog Lamps Circuit, USA (1 of 2)

1995 Volvo 960

For x

Copyright © 1998 Mitchell Repair Information Company, LLC

Saturday, July 24, 2004 10:44AM



SYSTEM WIRING DIAGRAMS

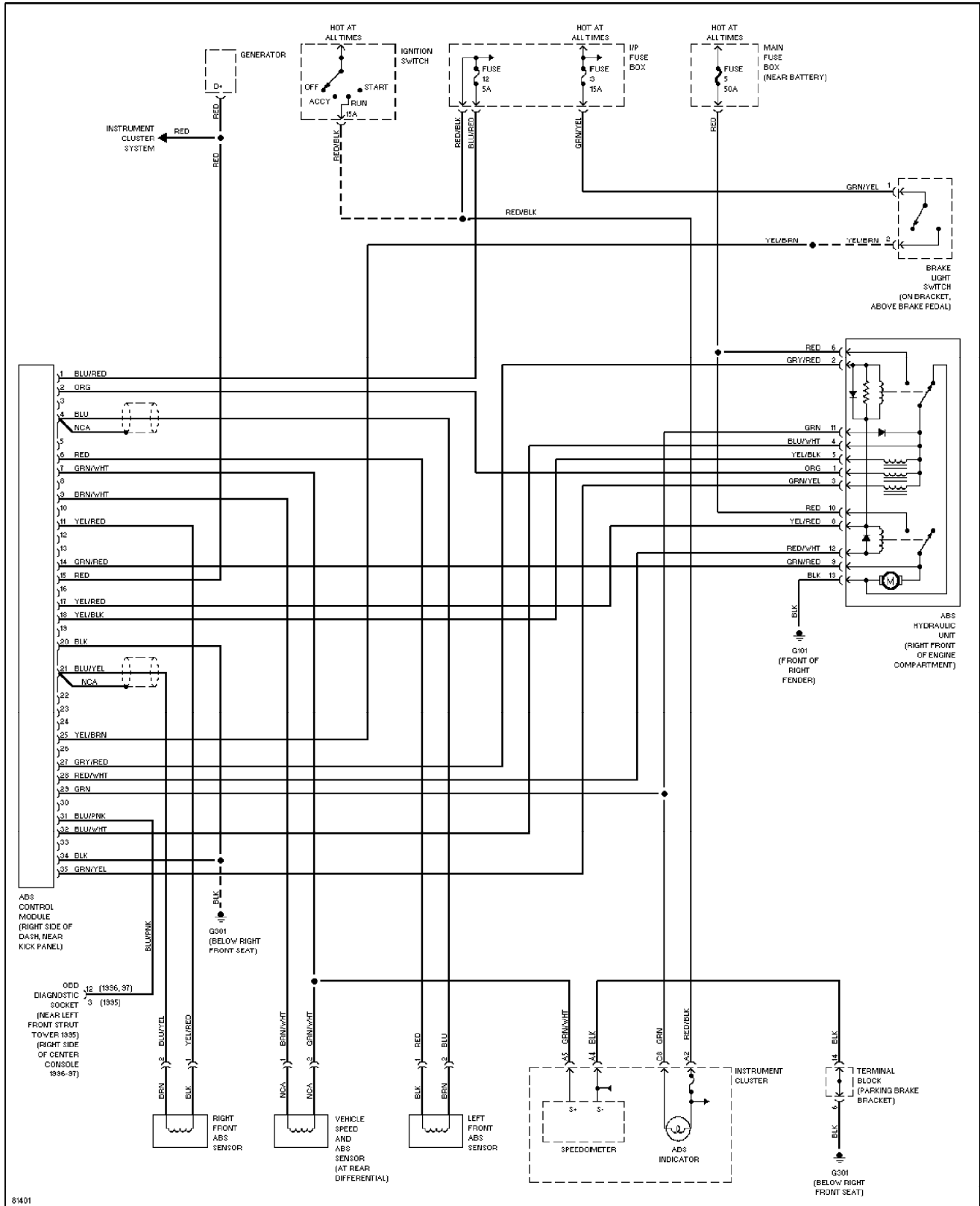
Anti-lock Brake Circuits

1995 Volvo 960

For x

Copyright © 1998 Mitchell Repair Information Company, LLC

Saturday, July 24, 2004 10:43AM



SYSTEM WIRING DIAGRAMS

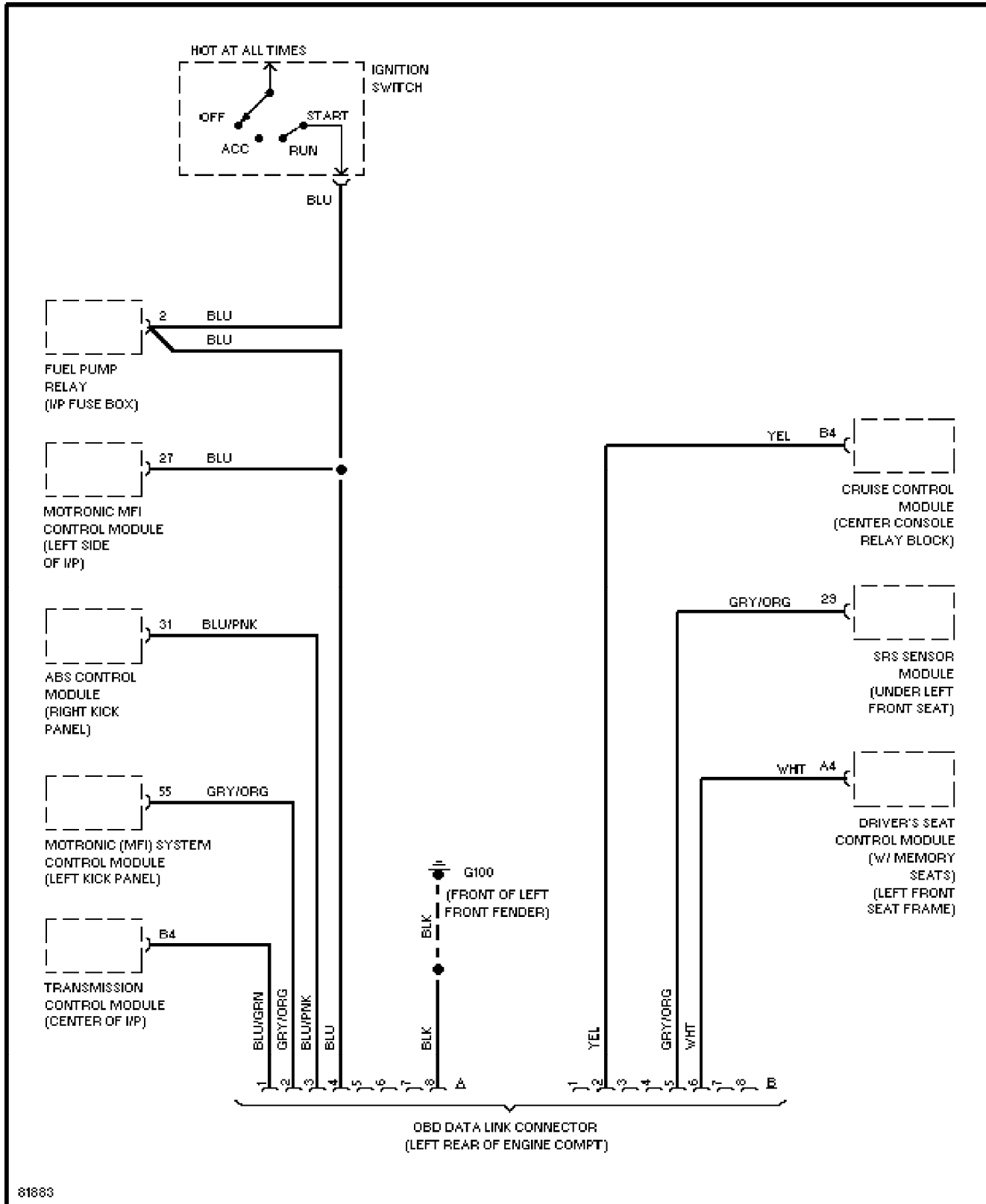
Computer Data Lines

1995 Volvo 960

For x

Copyright © 1998 Mitchell Repair Information Company, LLC

Saturday, July 24, 2004 10:43AM



SYSTEM WIRING DIAGRAMS

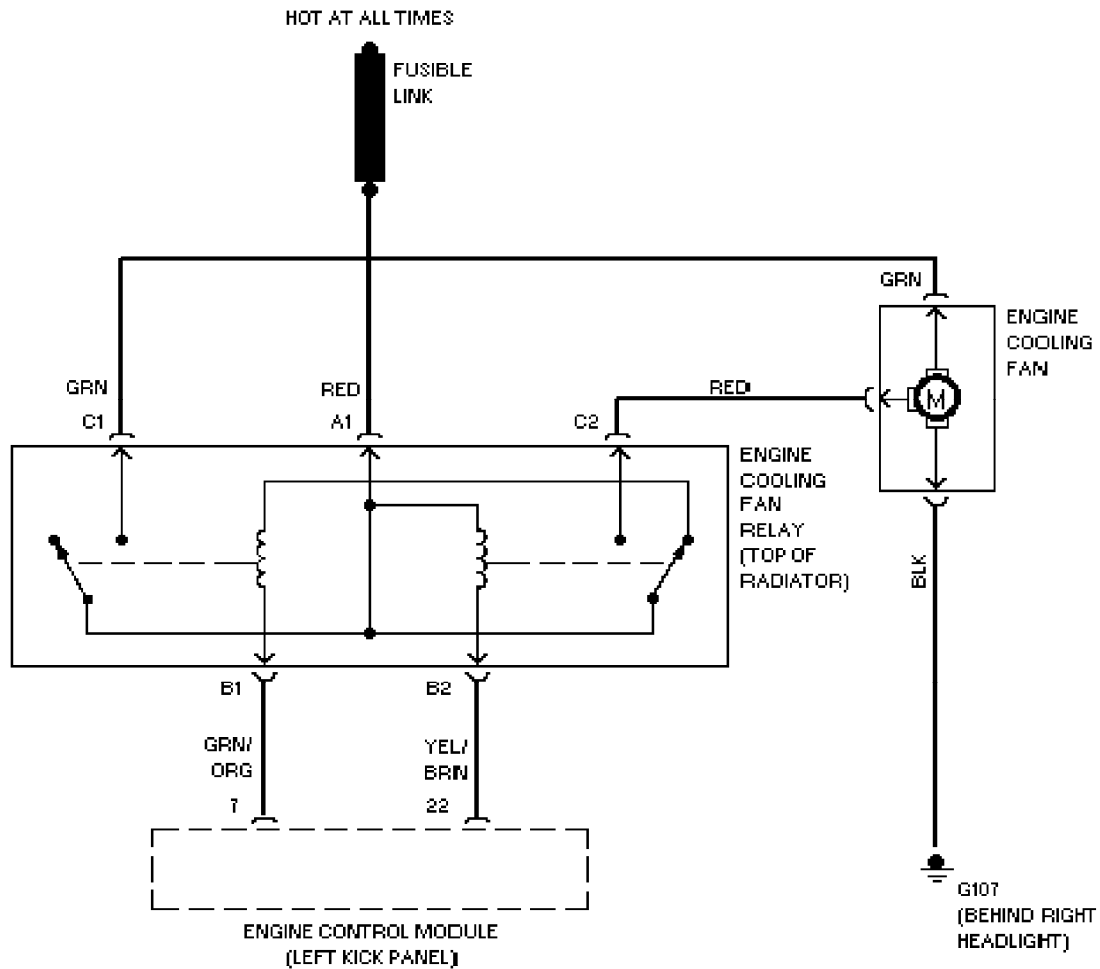
Cooling Fan Circuit

1995 Volvo 960

For x

Copyright © 1998 Mitchell Repair Information Company, LLC

Saturday, July 24, 2004 10:43AM



SYSTEM WIRING DIAGRAMS

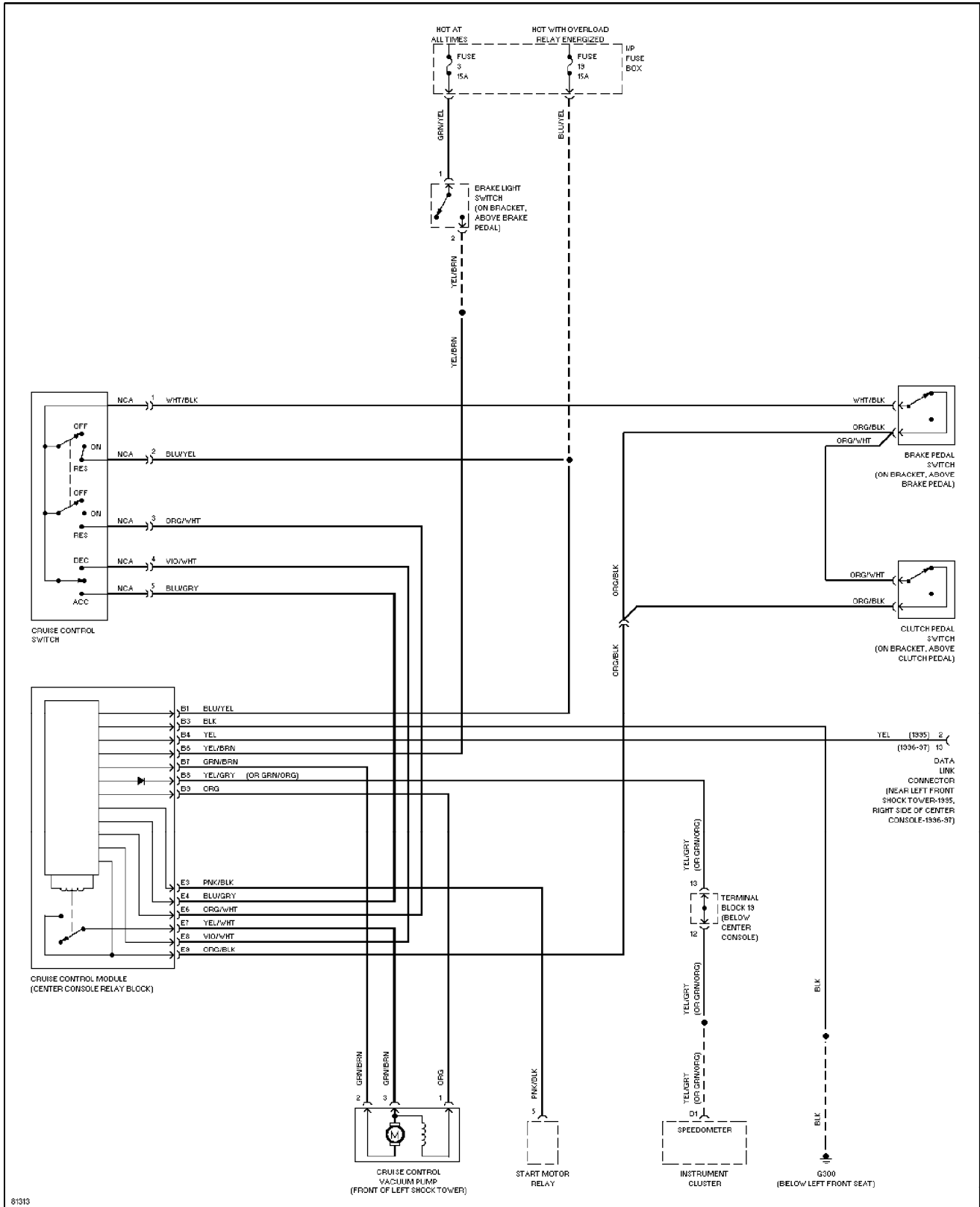
Cruise Control Circuit

1995 Volvo 960

For x

Copyright © 1998 Mitchell Repair Information Company, LLC

Saturday, July 24, 2004 10:43AM



SYSTEM WIRING DIAGRAMS

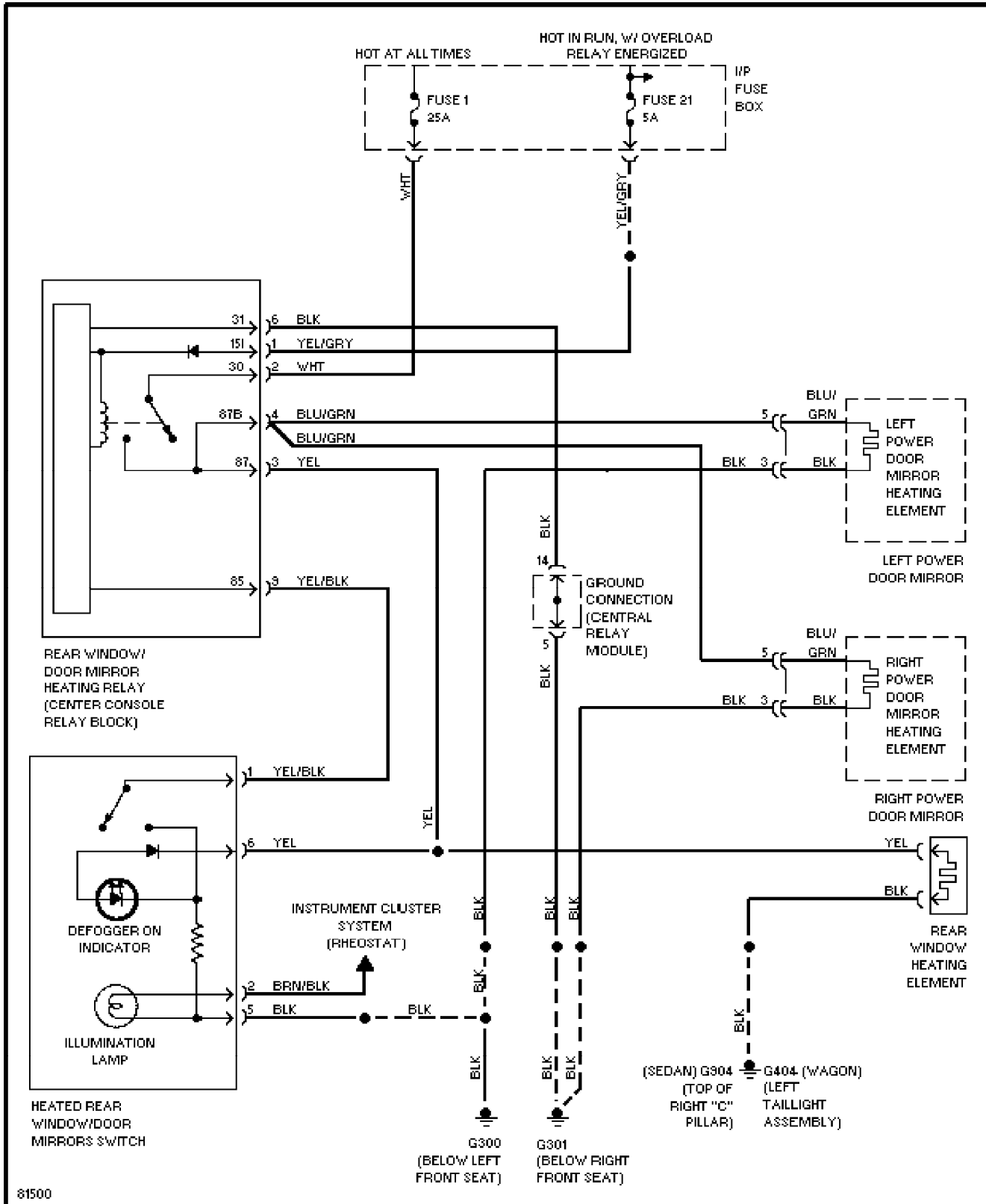
Defogger Circuit

1995 Volvo 960

For x

Copyright © 1998 Mitchell Repair Information Company, LLC

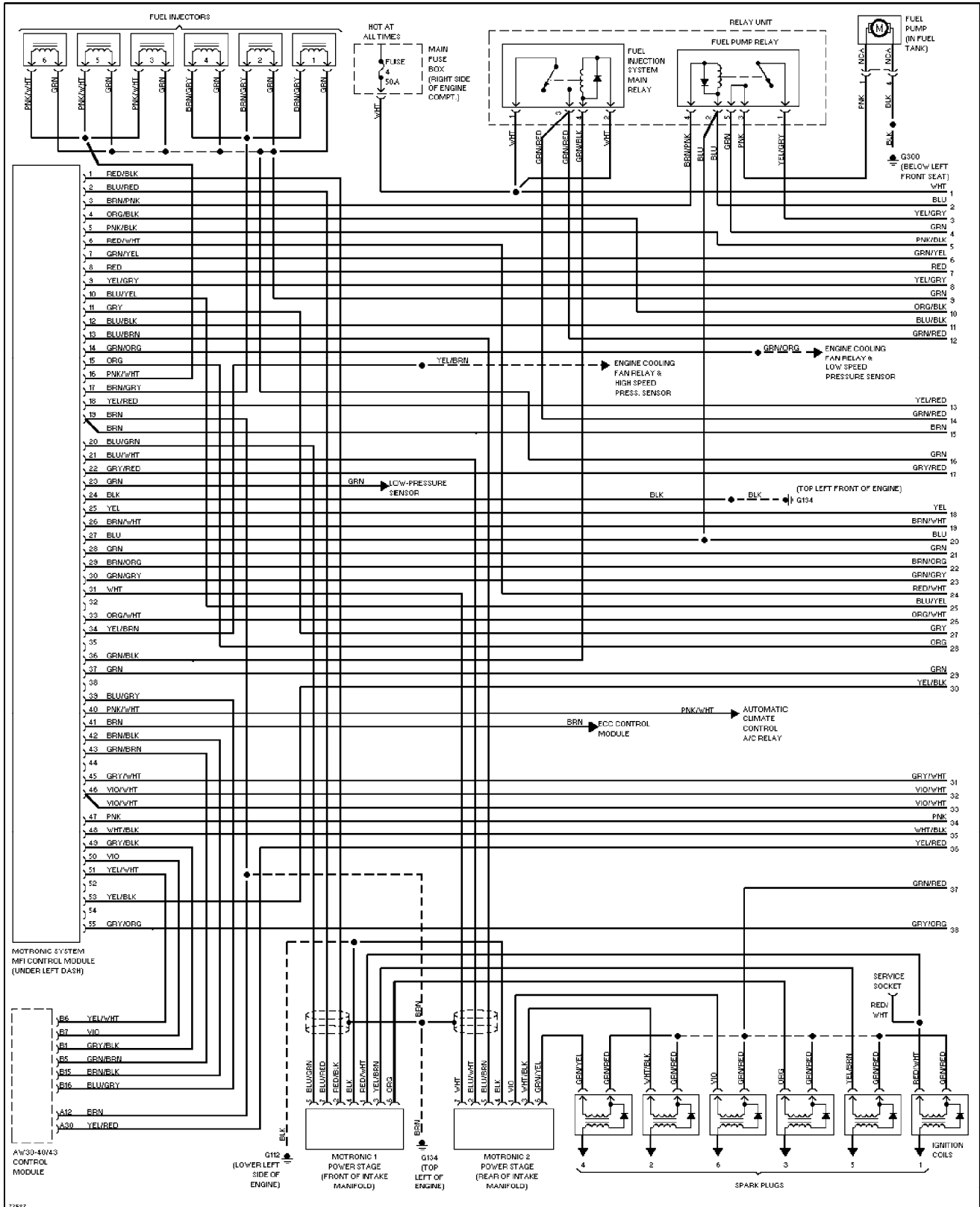
Saturday, July 24, 2004 10:43AM



SYSTEM WIRING DIAGRAMS

2.9L, Engine Performance Circuits (1 of 2)

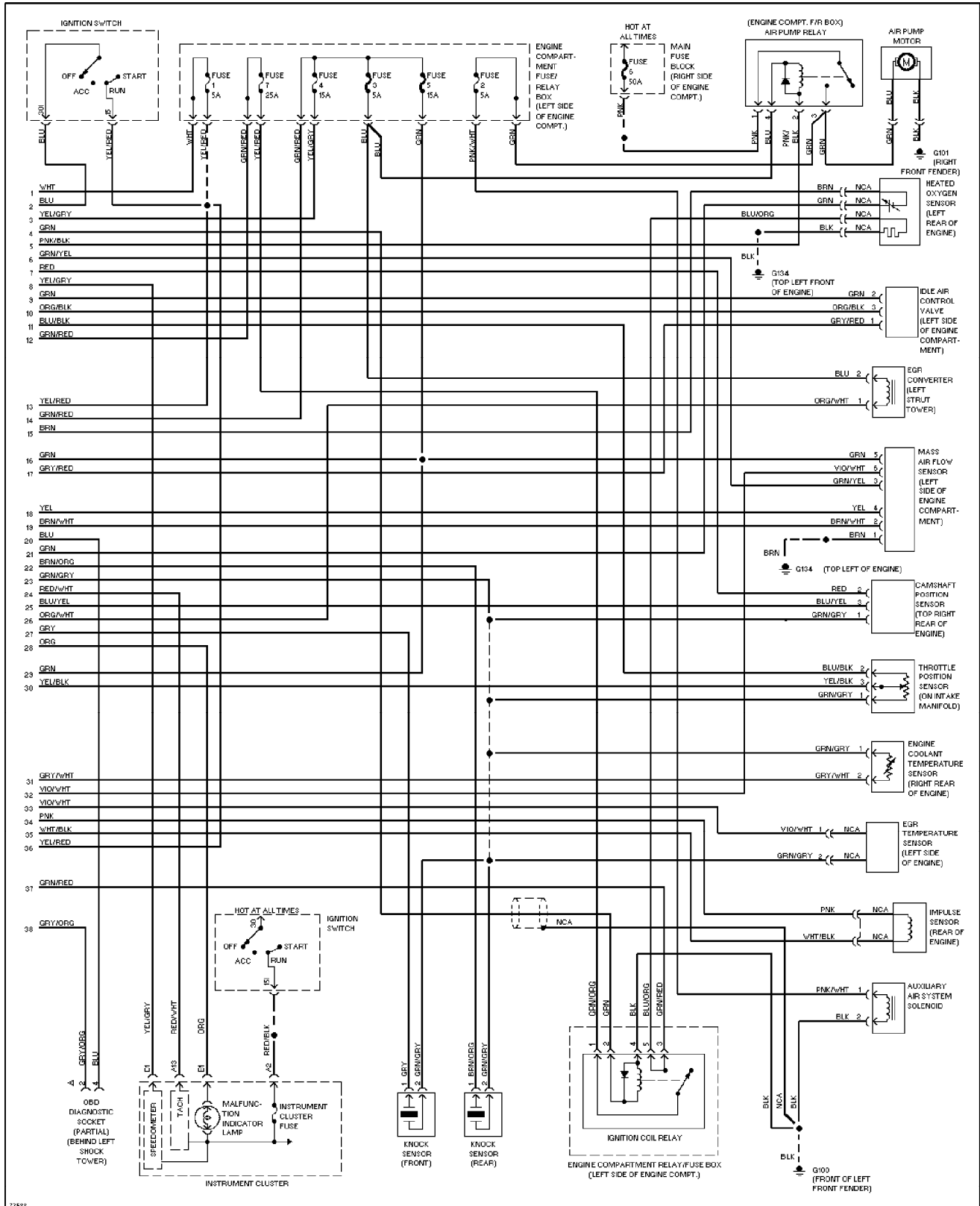
1995 Volvo 960
For x
Copyright © 1998 Mitchell Repair Information Company, LLC
Saturday, July 24, 2004 10:43AM



SYSTEM WIRING DIAGRAMS

2.9L, Engine Performance Circuits (2 of 2)

1995 Volvo 960
For x
Copyright © 1998 Mitchell Repair Information Company, LLC
Saturday, July 24, 2004 10:43AM



SYSTEM WIRING DIAGRAMS

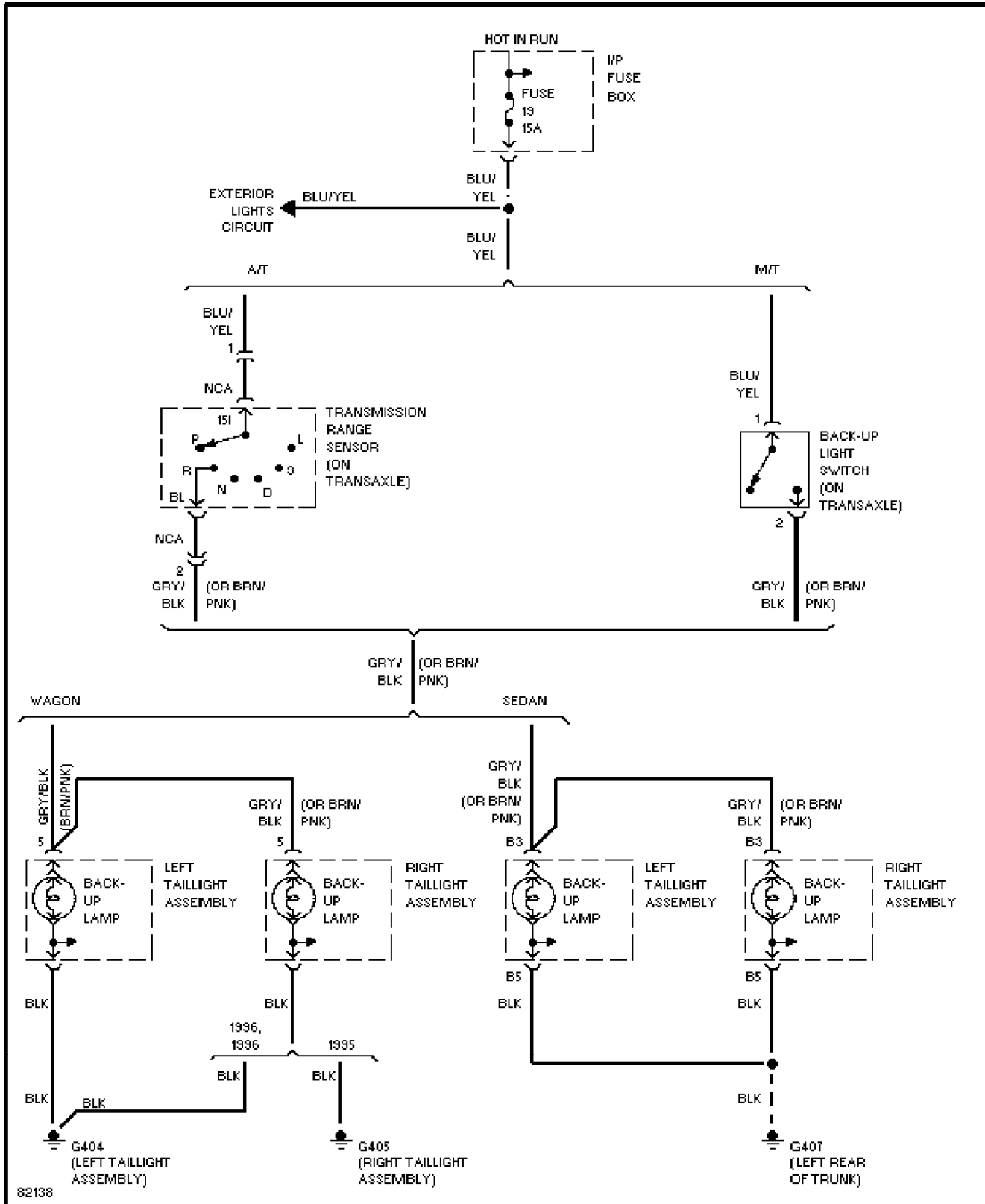
Back-up Lamps Circuit

1995 Volvo 960

For x

Copyright © 1998 Mitchell Repair Information Company, LLC

Saturday, July 24, 2004 10:43AM



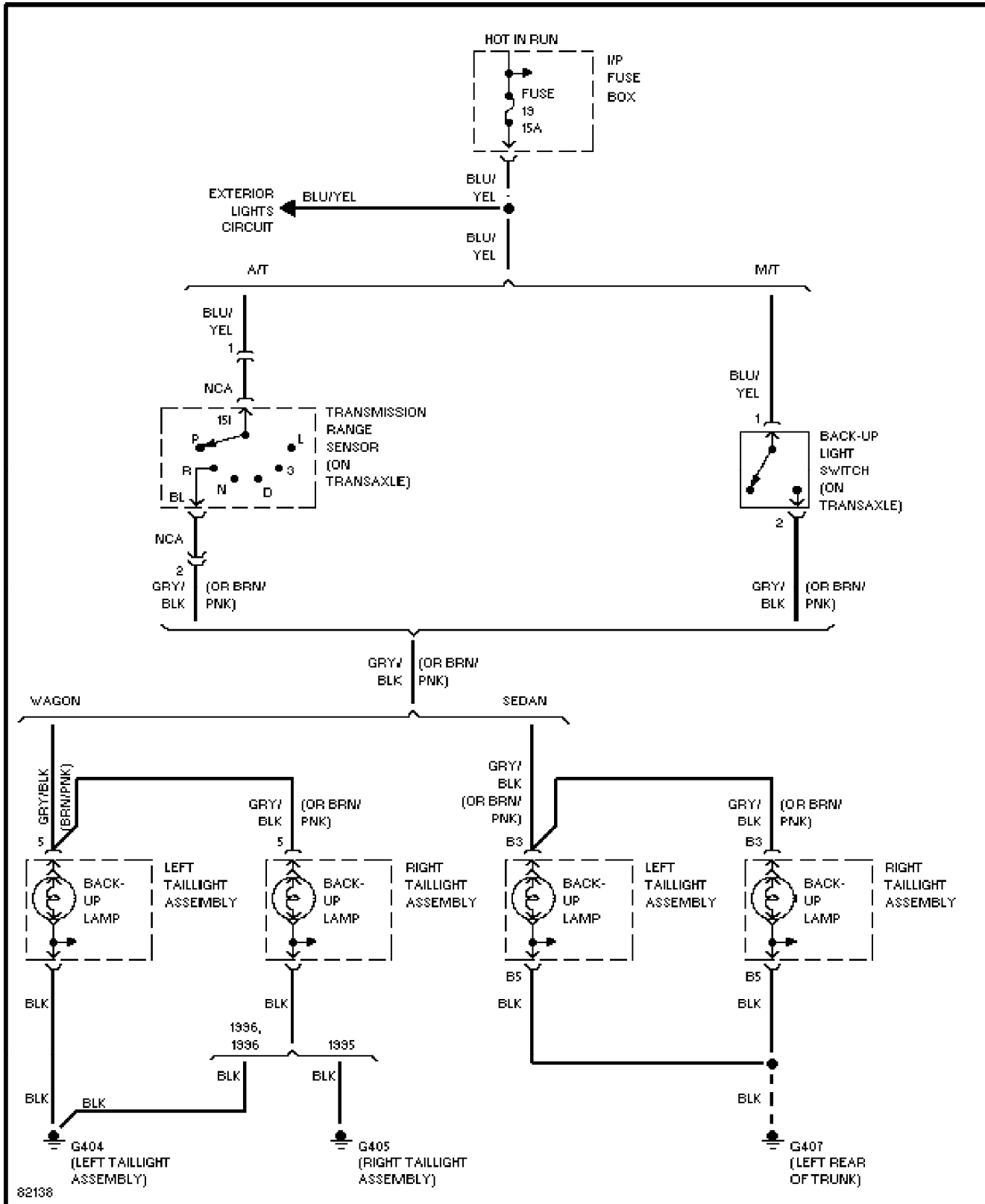
SYSTEM WIRING DIAGRAMS

Backup Lamps Circuit, Sedan & Wagon

1995 Volvo 960

For x

Copyright © 1998 Mitchell Repair Information Company, LLC
Saturday, July 24, 2004 10:43AM



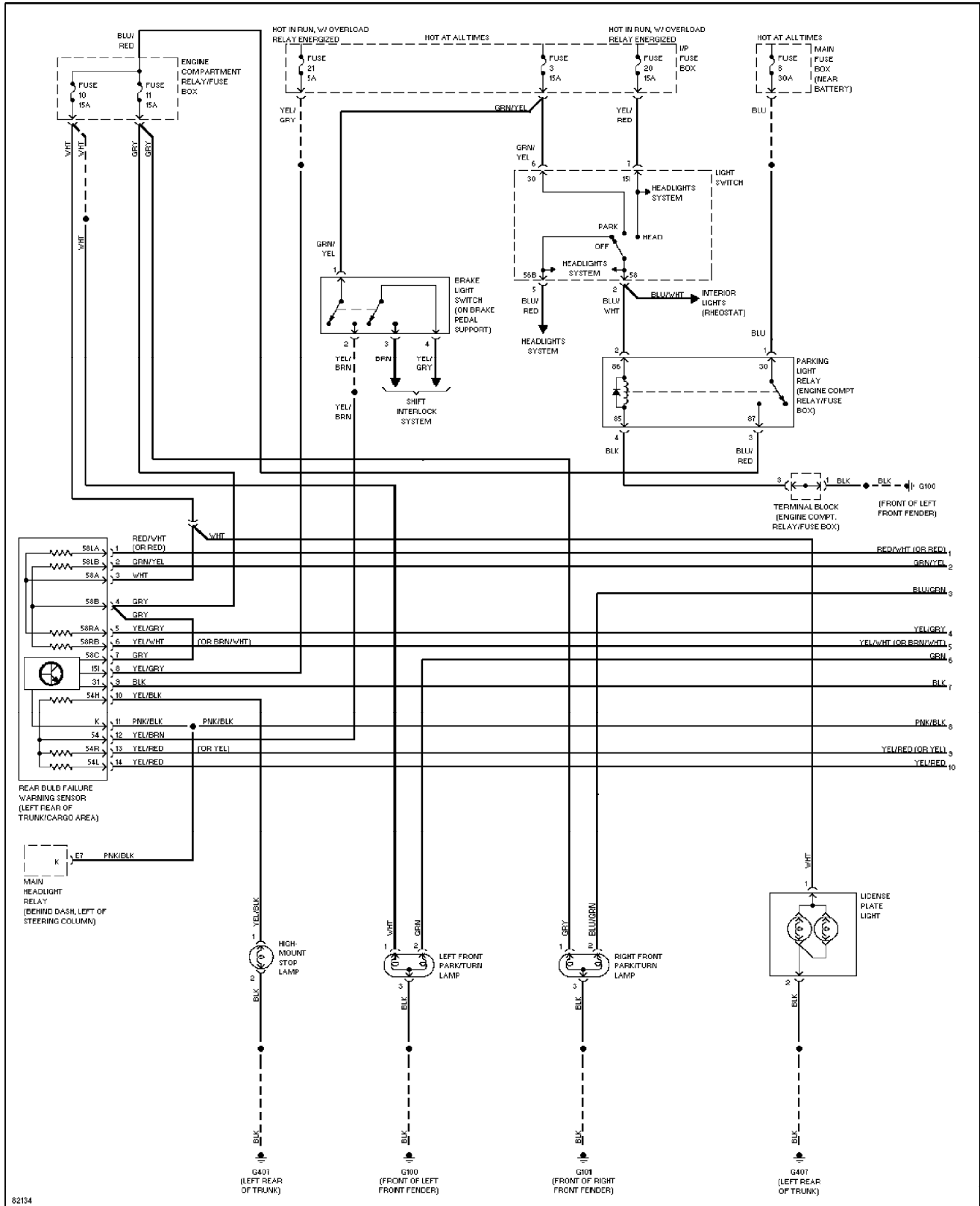
SYSTEM WIRING DIAGRAMS

Exterior Lamps Circuit, Sedan (1 of 2)

1995 Volvo 960

For x

Copyright © 1998 Mitchell Repair Information Company, LLC
Saturday, July 24, 2004 10:43AM



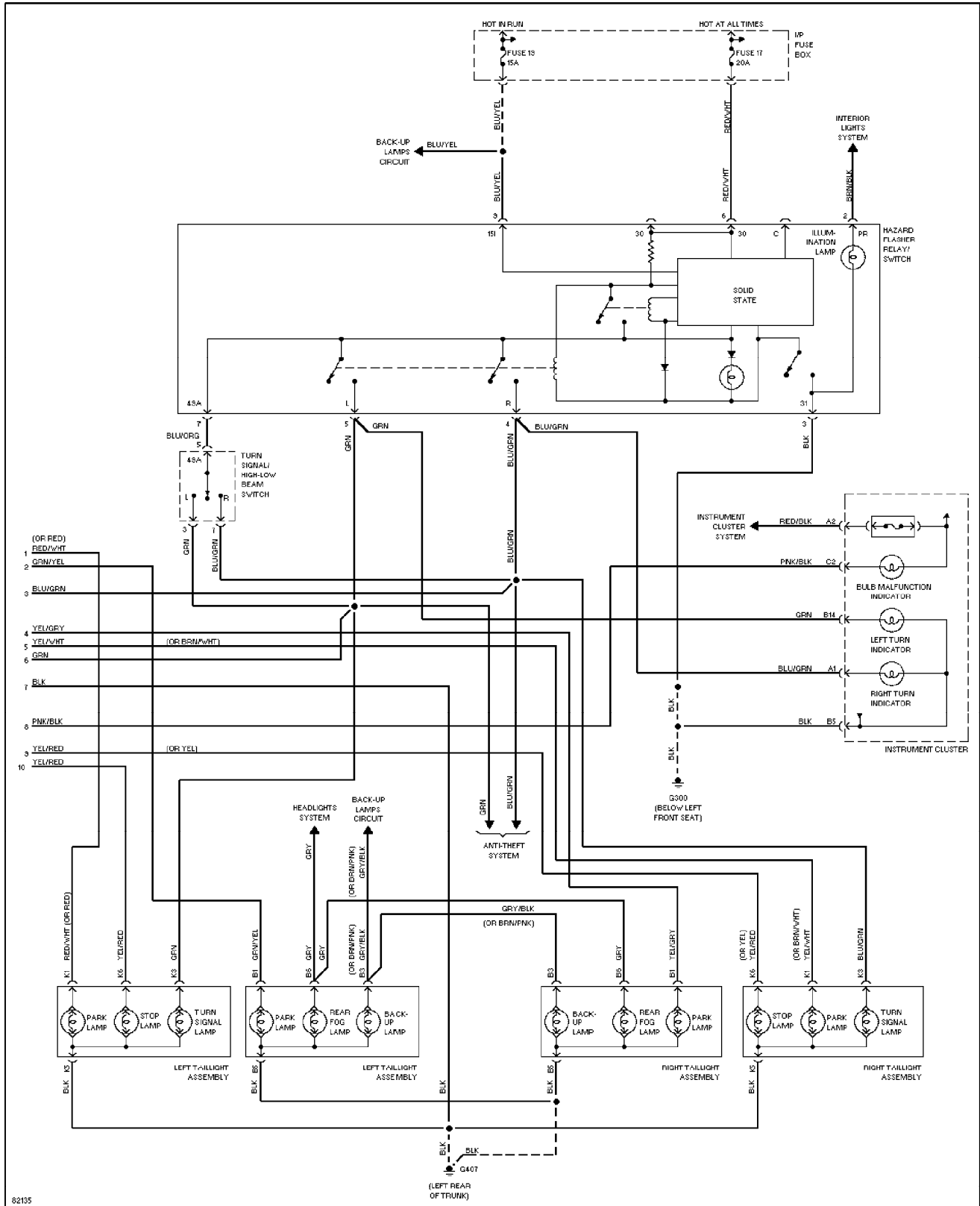
SYSTEM WIRING DIAGRAMS

Exterior Lamps Circuit, Sedan (2 of 2)

1995 Volvo 960

For x

Copyright © 1998 Mitchell Repair Information Company, LLC
Saturday, July 24, 2004 10:43AM



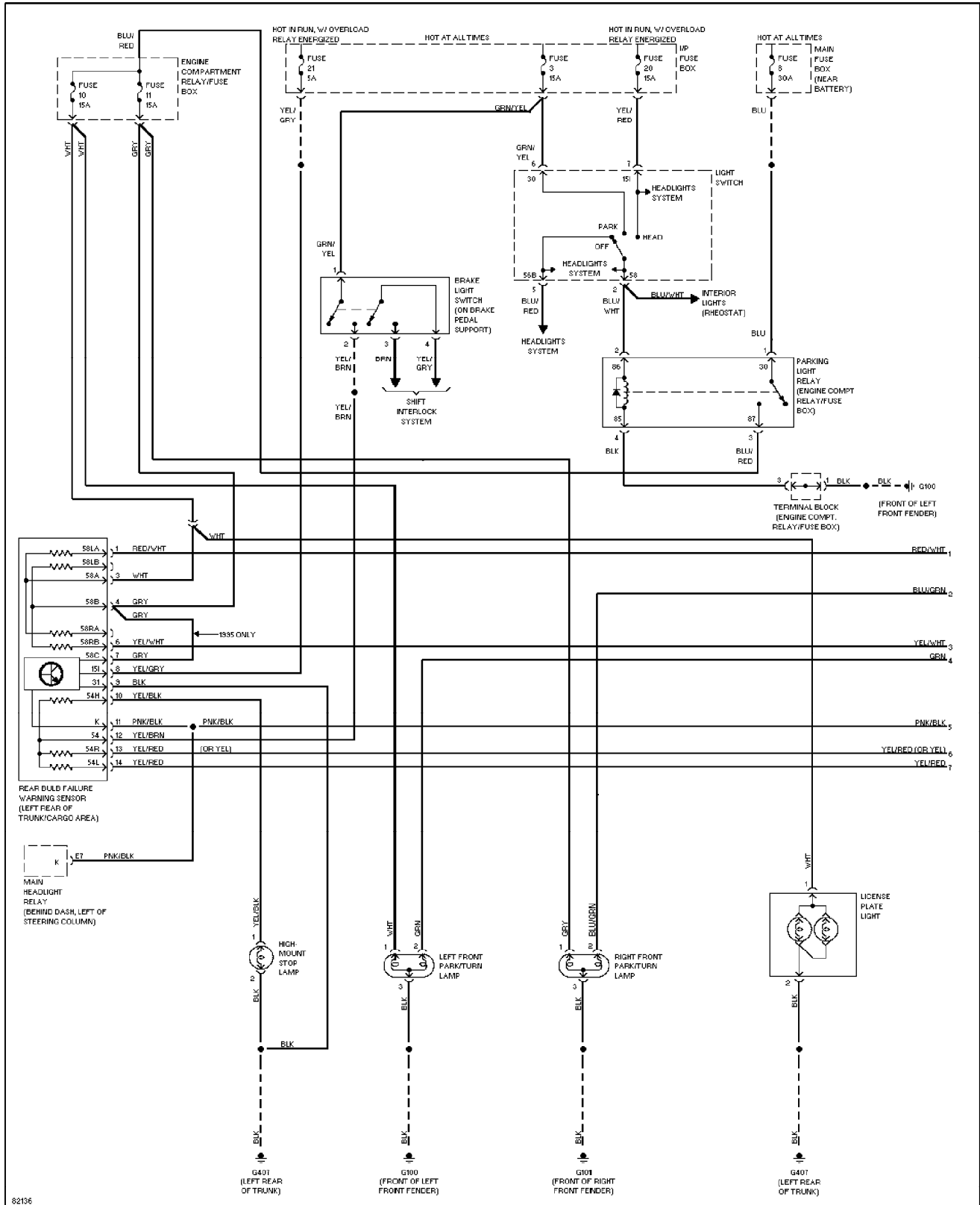
SYSTEM WIRING DIAGRAMS

Exterior Lamps Circuit, Wagon (1 of 2)

1995 Volvo 960

For x

Copyright © 1998 Mitchell Repair Information Company, LLC
Saturday, July 24, 2004 10:43AM



SYSTEM WIRING DIAGRAMS

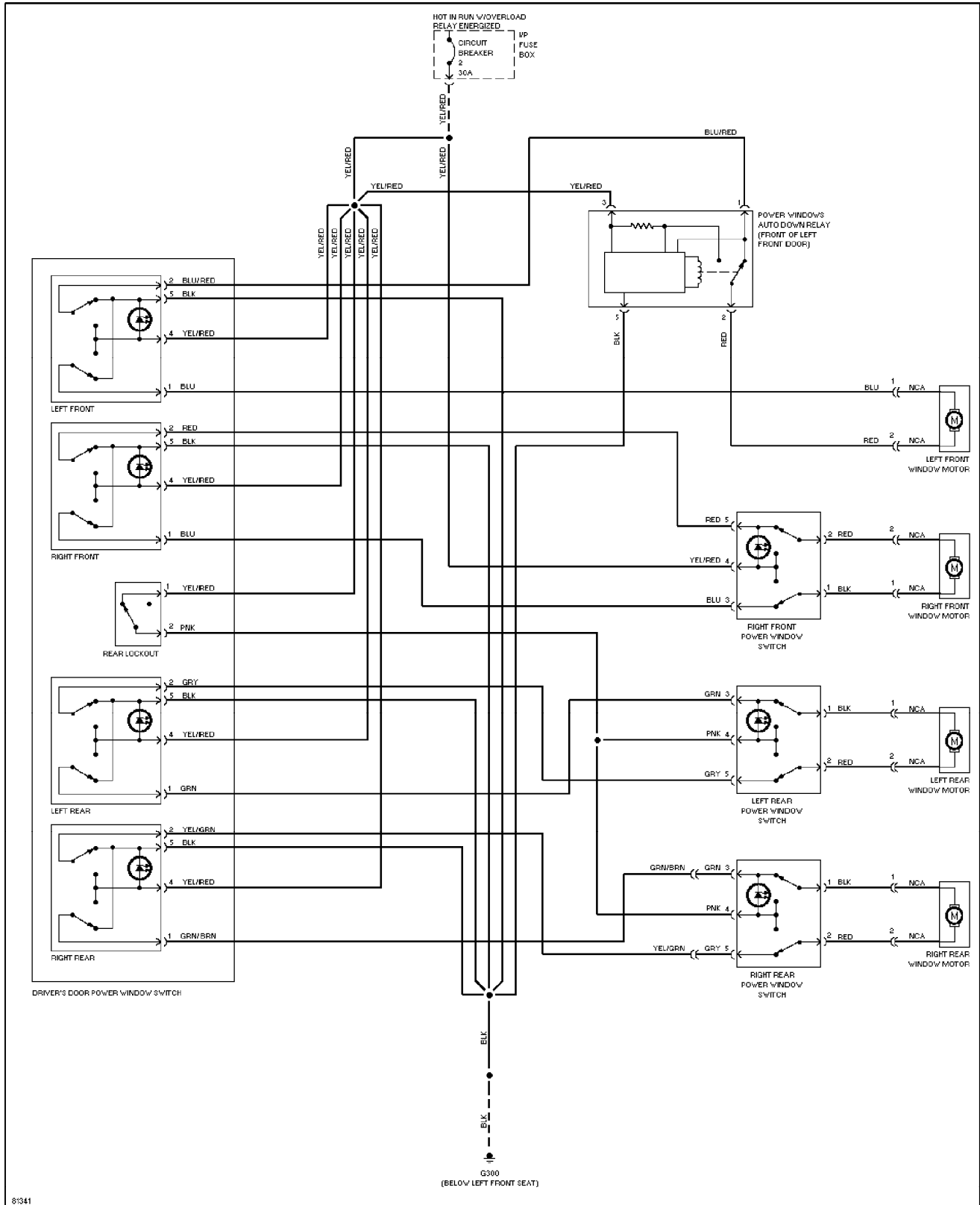
Power Window Circuit

1995 Volvo 960

For x

Copyright © 1998 Mitchell Repair Information Company, LLC

Saturday, July 24, 2004 10:46AM



SYSTEM WIRING DIAGRAMS

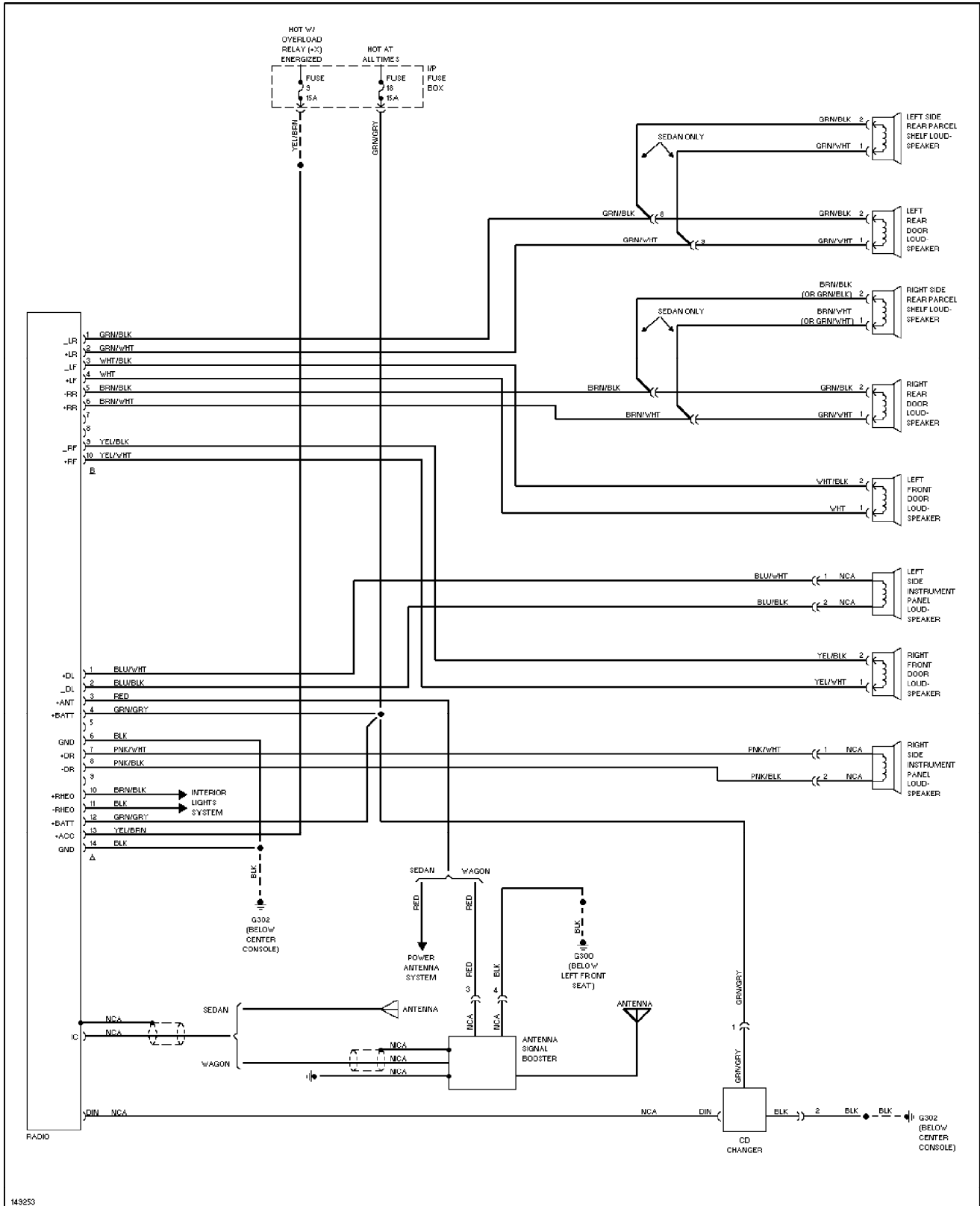
Radio Circuits

1995 Volvo 960

For x

Copyright © 1998 Mitchell Repair Information Company, LLC

Saturday, July 24, 2004 10:46AM



SYSTEM WIRING DIAGRAMS

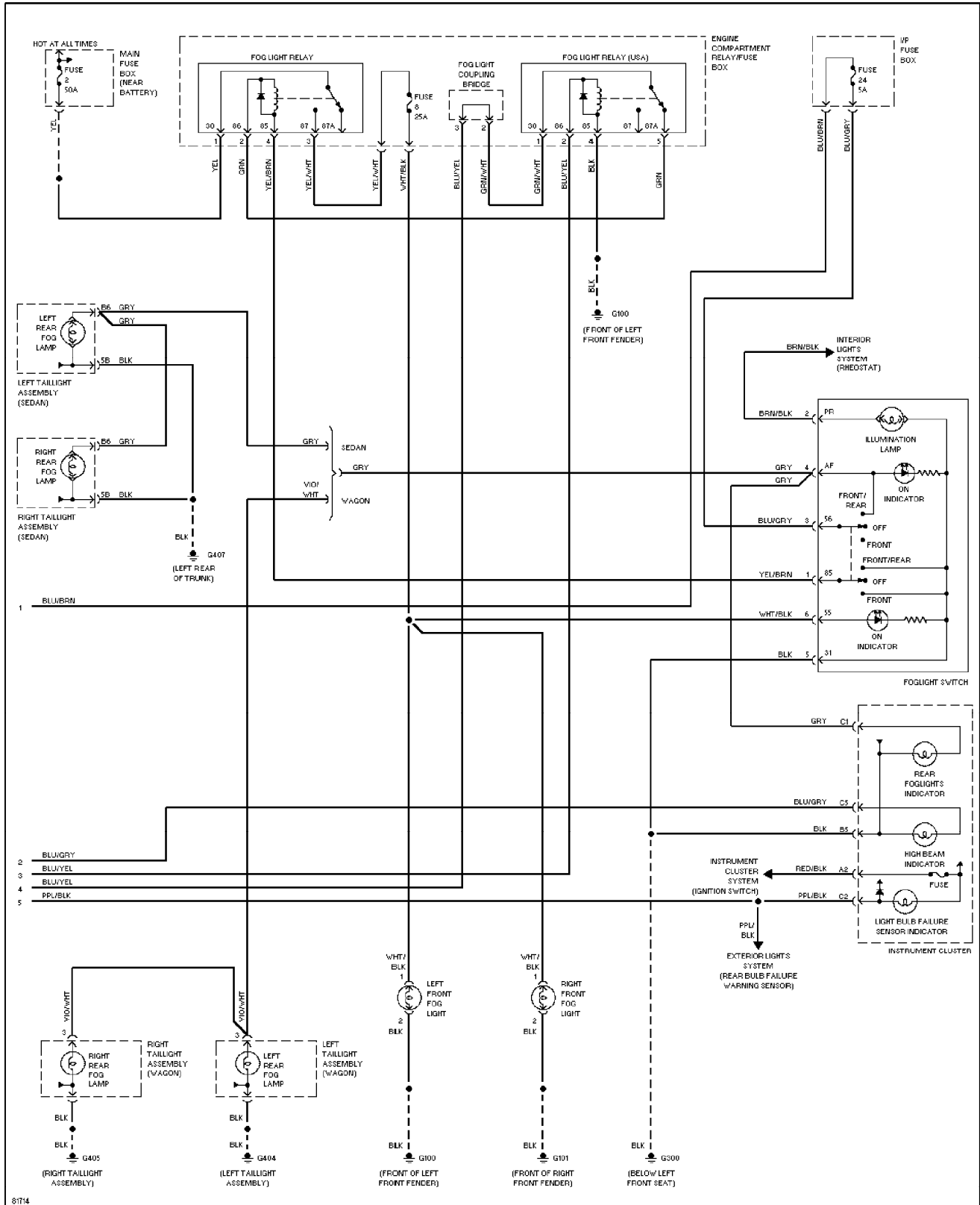
Headlamps/Fog Lamps Circuit, USA (2 of 2)

1995 Volvo 960

For x

Copyright © 1998 Mitchell Repair Information Company, LLC

Saturday, July 24, 2004 10:45AM



SYSTEM WIRING DIAGRAMS

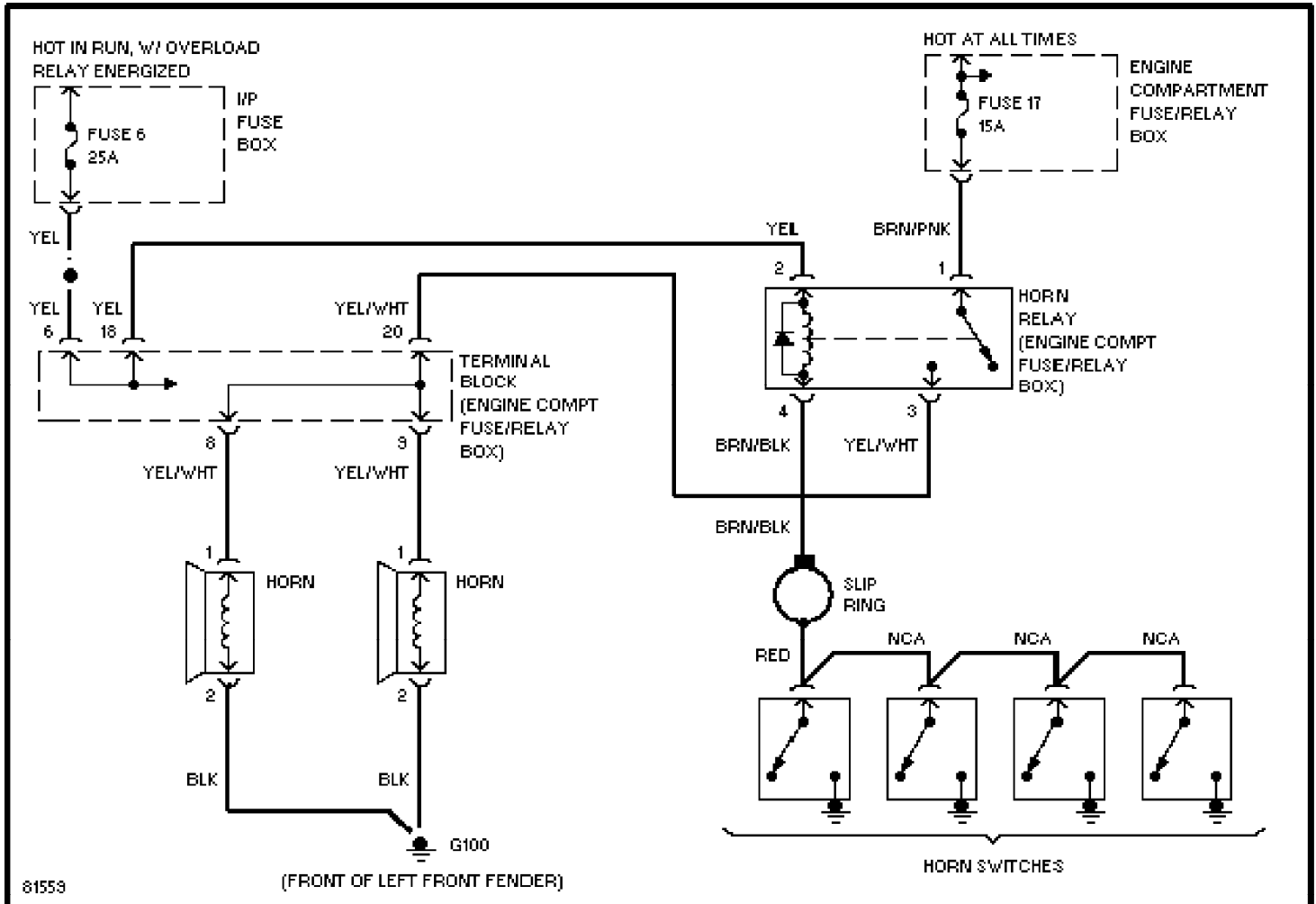
Horn Circuit

1995 Volvo 960

For x

Copyright © 1998 Mitchell Repair Information Company, LLC

Saturday, July 24, 2004 10:45AM



SYSTEM WIRING DIAGRAMS

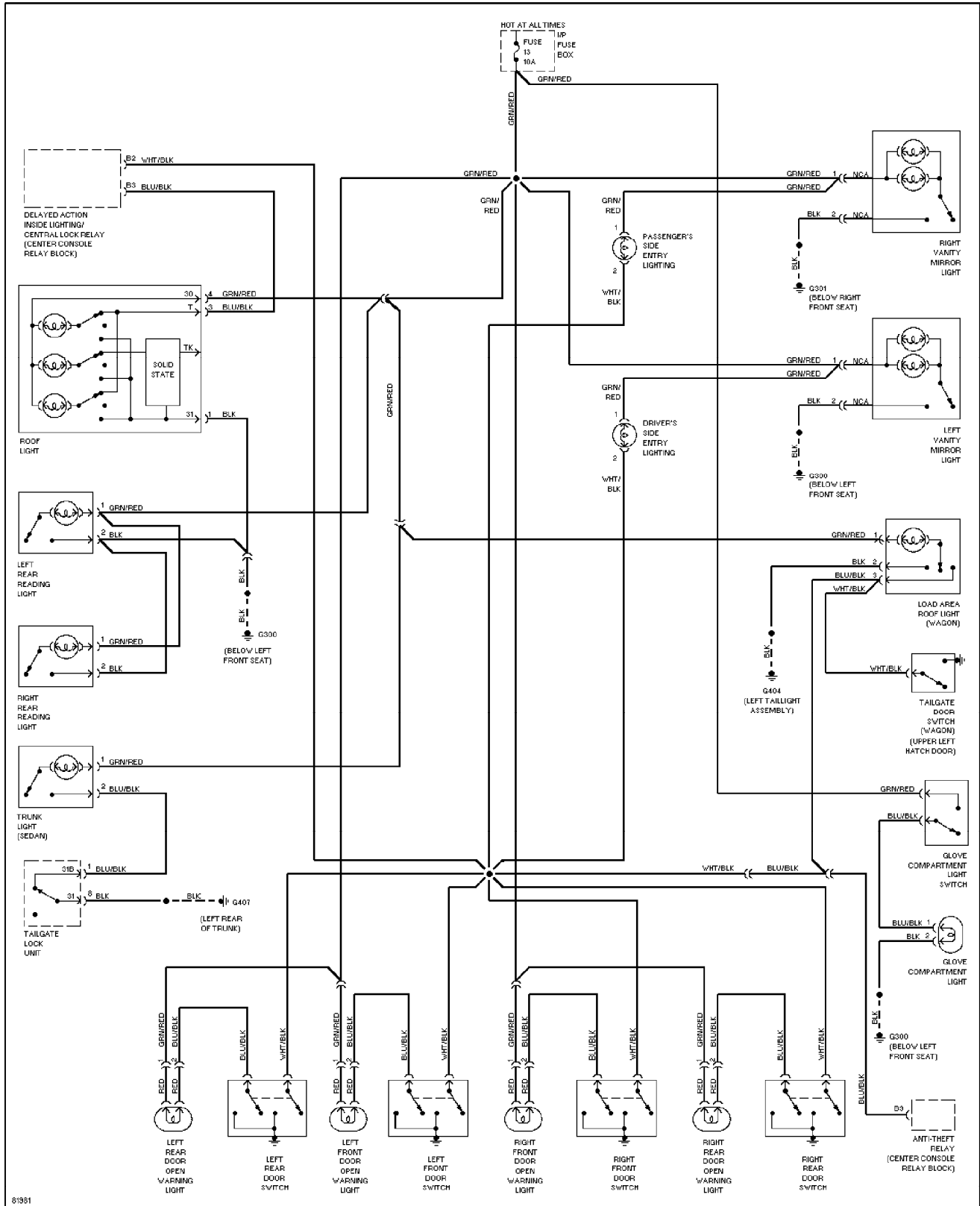
Courtesy Lamps Circuit

1995 Volvo 960

For x

Copyright © 1998 Mitchell Repair Information Company, LLC

Saturday, July 24, 2004 10:45AM



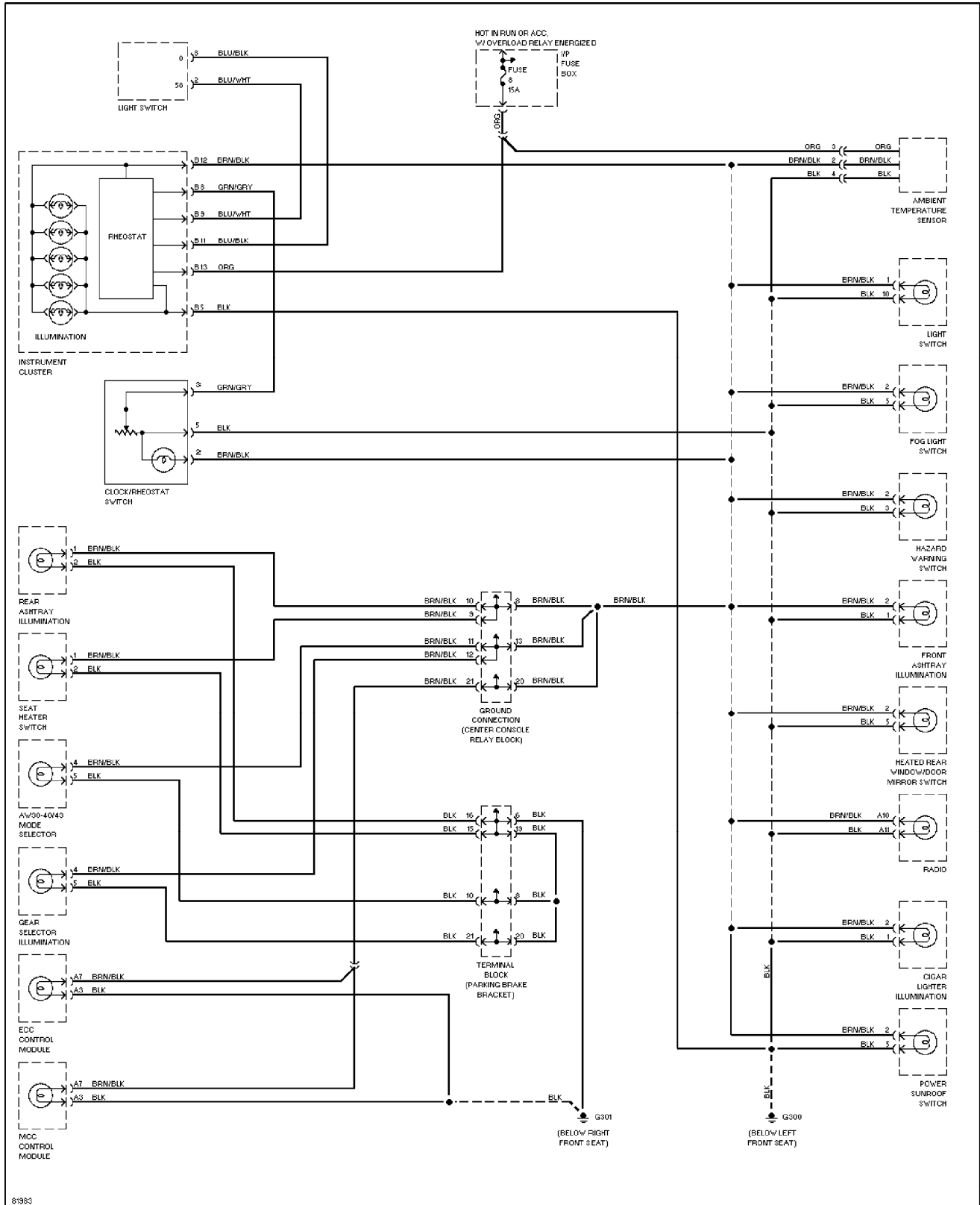
SYSTEM WIRING DIAGRAMS

Instrument Illumination Circuit

1995 Volvo 960

For x

Copyright © 1998 Mitchell Repair Information Company, LLC
Saturday, July 24, 2004 10:45AM



SYSTEM WIRING DIAGRAMS

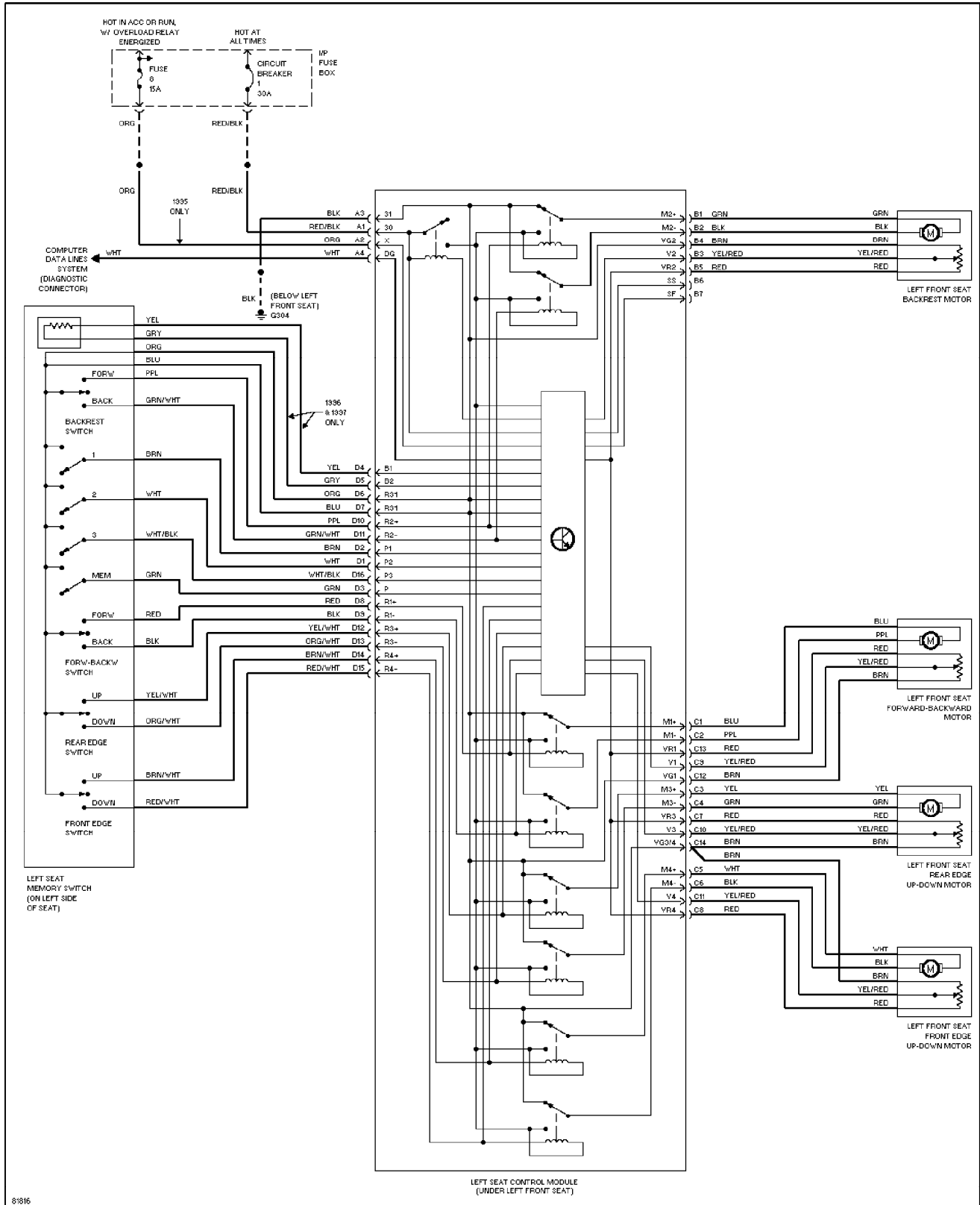
Memory Seat Circuit

1995 Volvo 960

For x

Copyright © 1998 Mitchell Repair Information Company, LLC

Saturday, July 24, 2004 10:45AM



SYSTEM WIRING DIAGRAMS

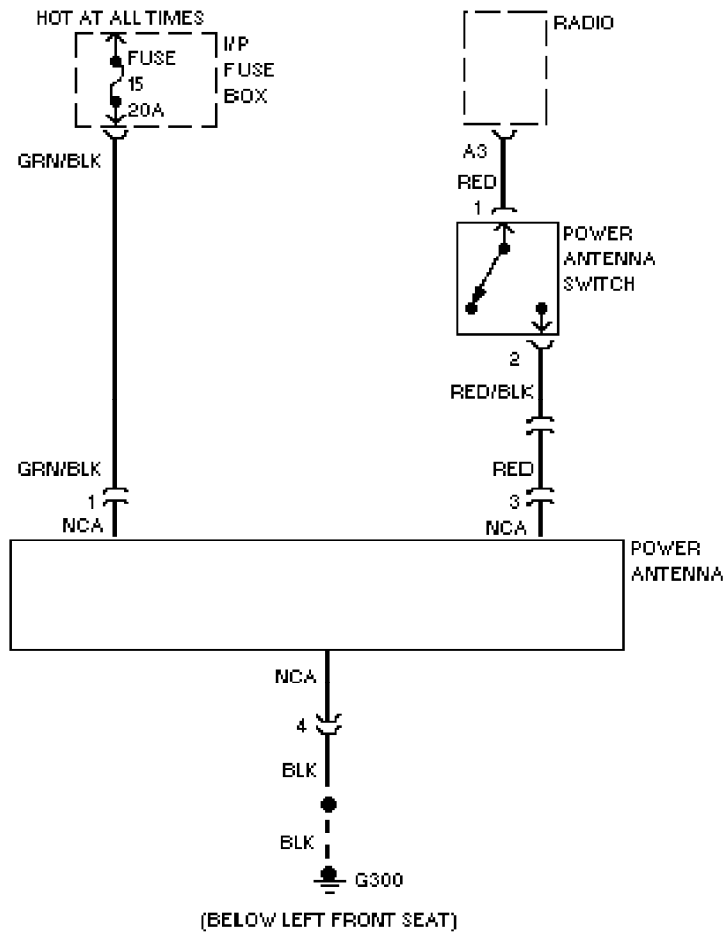
Power Antenna Circuit

1995 Volvo 960

For x

Copyright © 1998 Mitchell Repair Information Company, LLC

Saturday, July 24, 2004 10:45AM



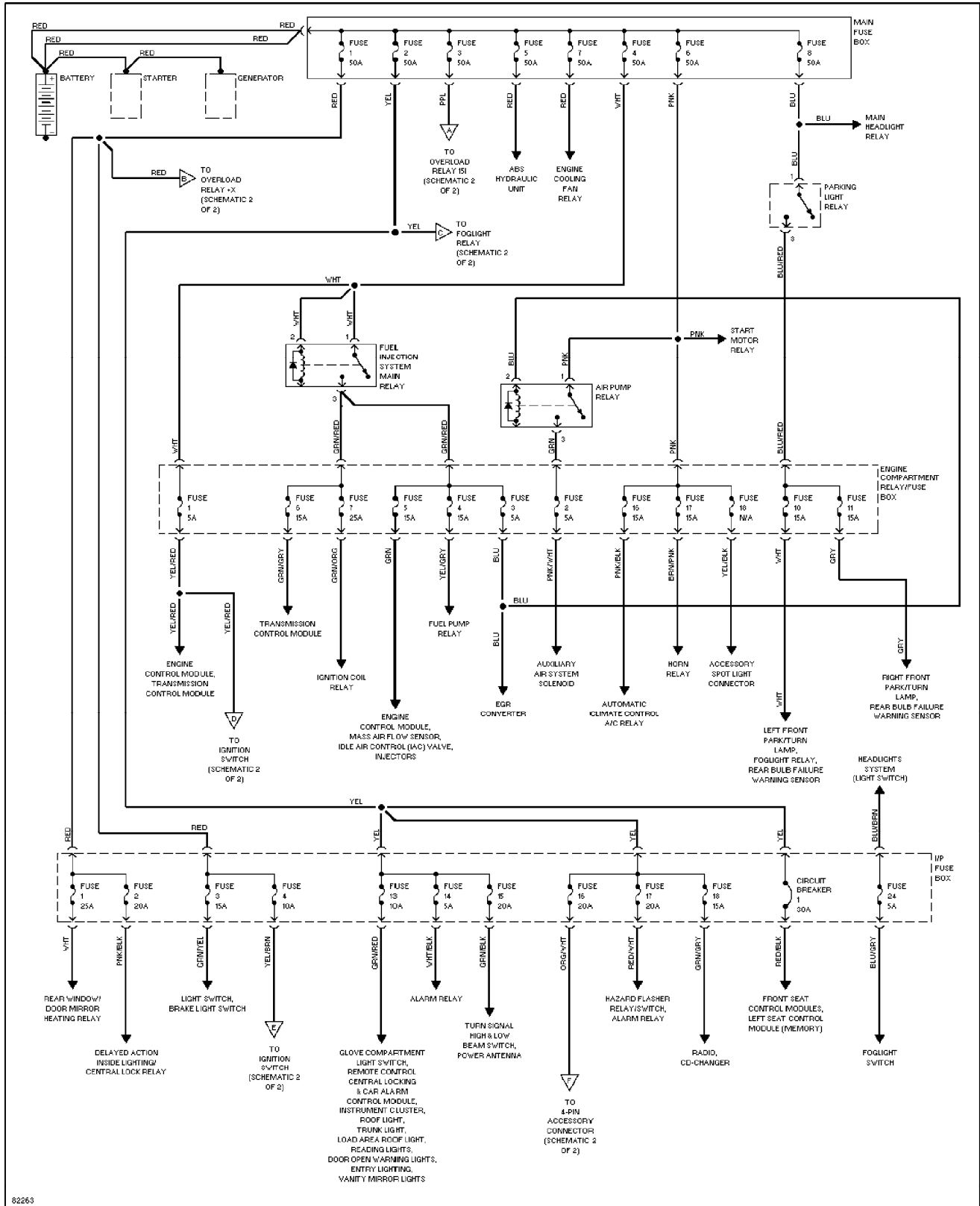
SYSTEM WIRING DIAGRAMS

Power Distribution Circuit (1 of 2)

1995 Volvo 960

For x

Copyright © 1998 Mitchell Repair Information Company, LLC
Saturday, July 24, 2004 10:45AM



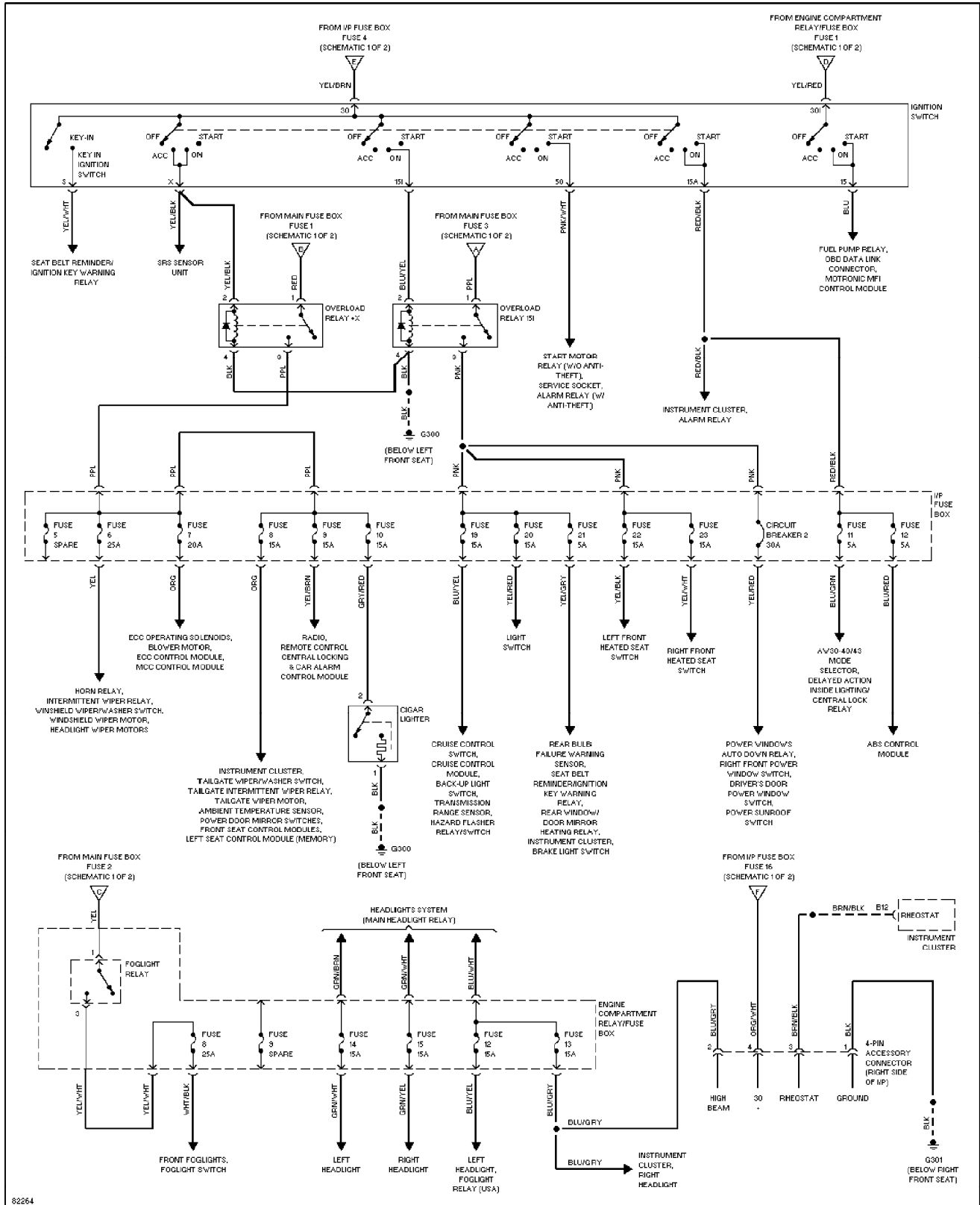
SYSTEM WIRING DIAGRAMS

Power Distribution Circuit (2 of 2)

1995 Volvo 960

For x

Copyright © 1998 Mitchell Repair Information Company, LLC
Saturday, July 24, 2004 10:45AM



SYSTEM WIRING DIAGRAMS

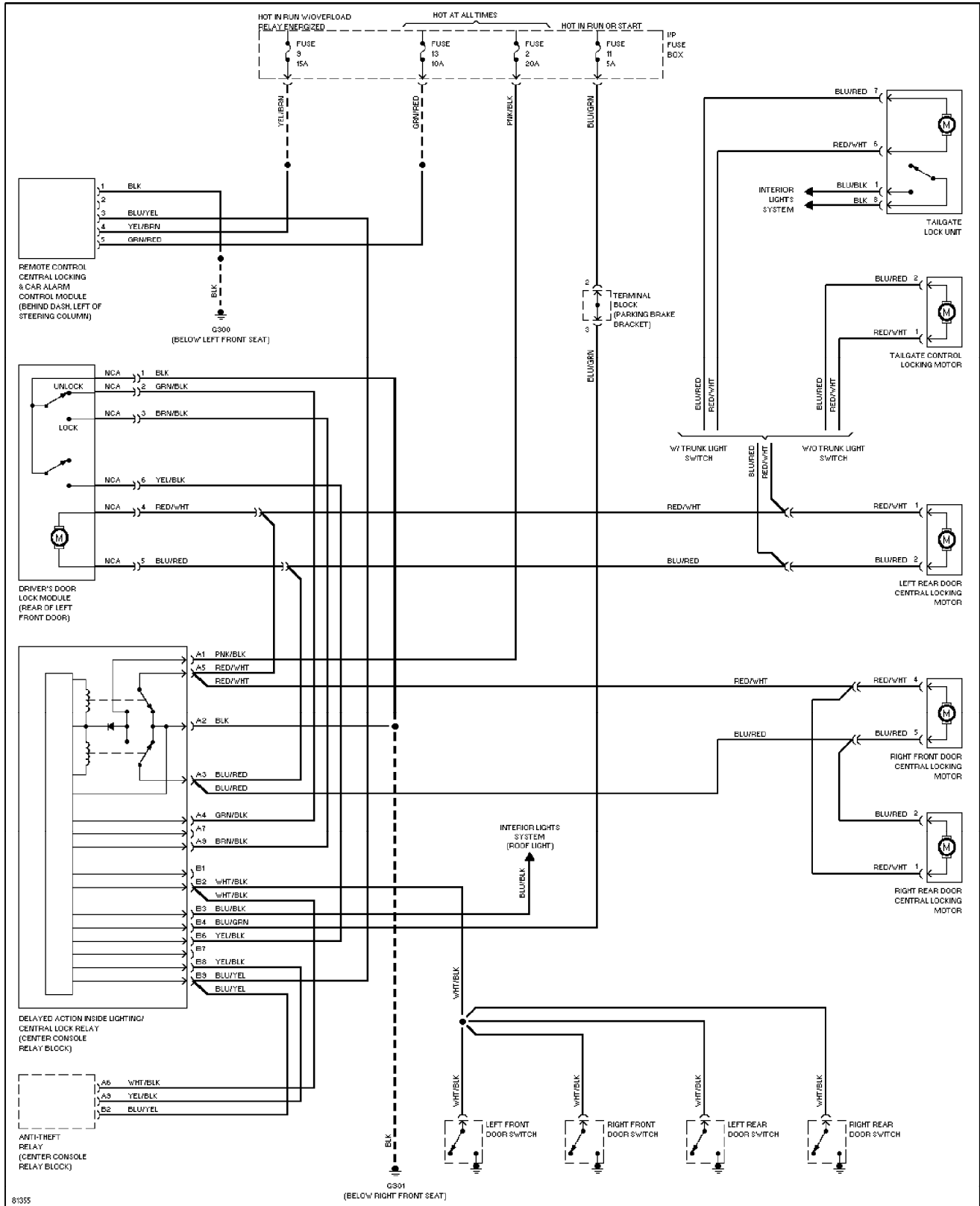
Power Door Lock Circuit

1995 Volvo 960

For x

Copyright © 1998 Mitchell Repair Information Company, LLC

Saturday, July 24, 2004 10:45AM



SYSTEM WIRING DIAGRAMS

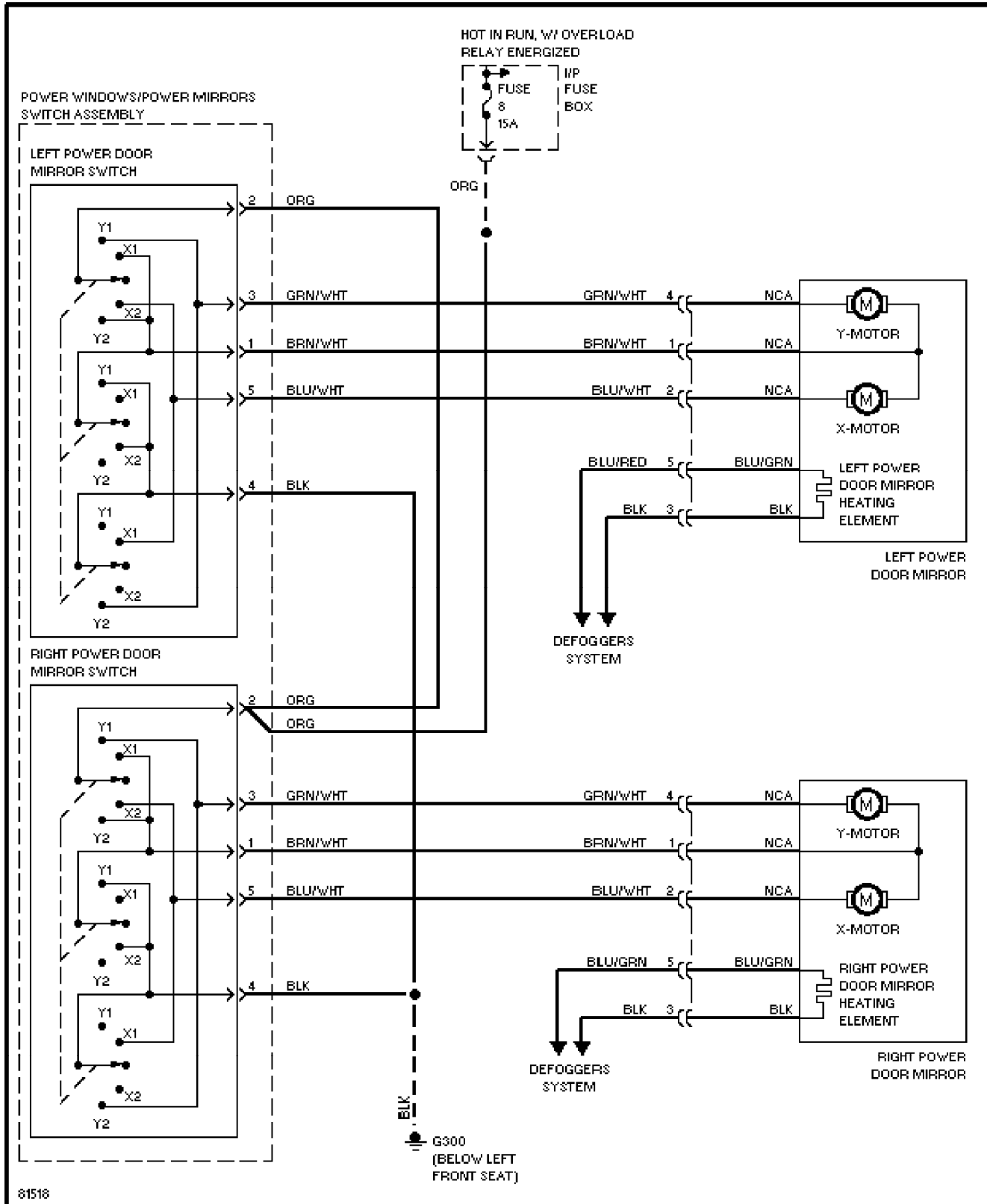
Power Mirror Circuit

1995 Volvo 960

For x

Copyright © 1998 Mitchell Repair Information Company, LLC

Saturday, July 24, 2004 10:45AM



SYSTEM WIRING DIAGRAMS

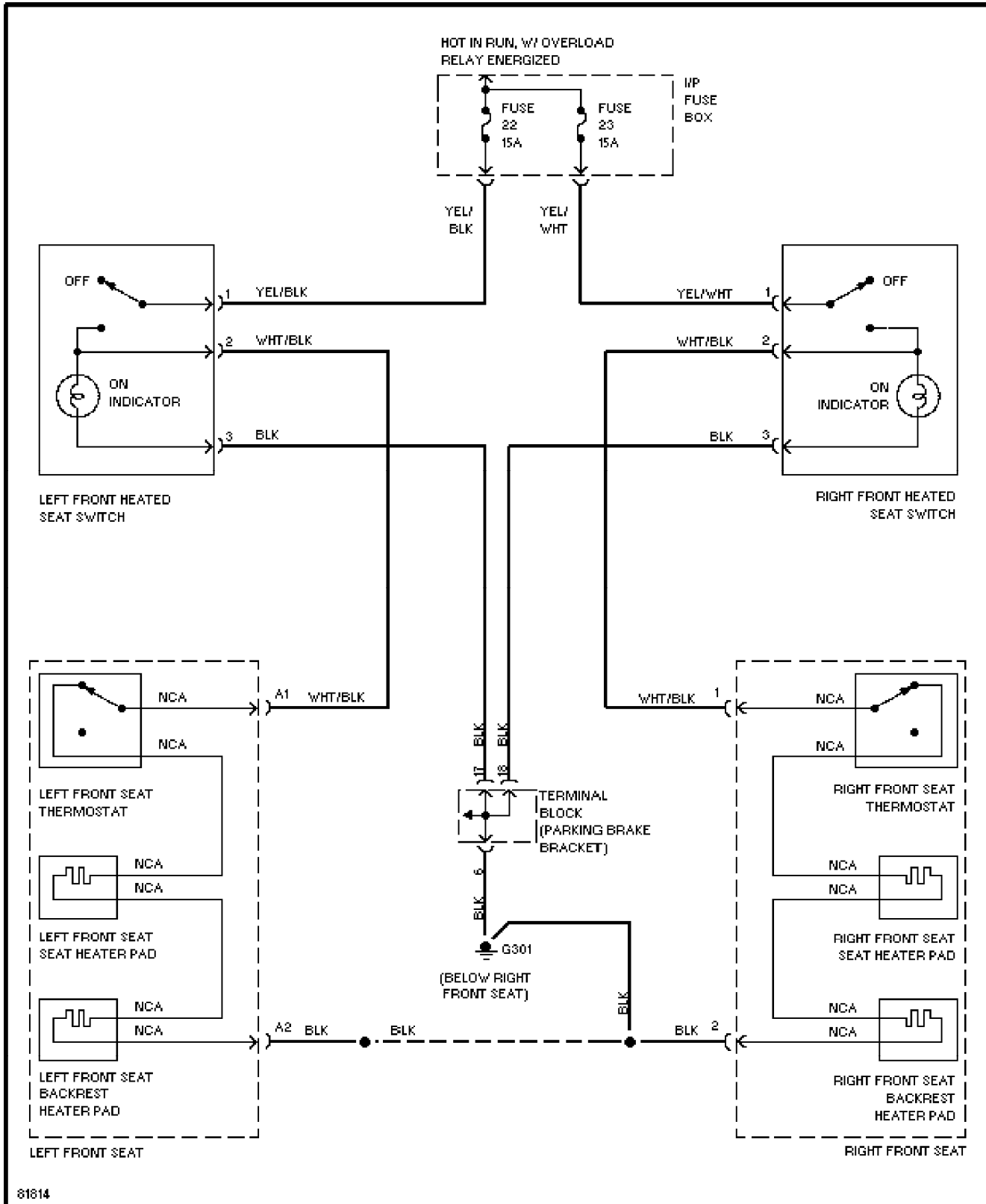
Heated Seats Circuit

1995 Volvo 960

For x

Copyright © 1998 Mitchell Repair Information Company, LLC

Saturday, July 24, 2004 10:46AM



SYSTEM WIRING DIAGRAMS

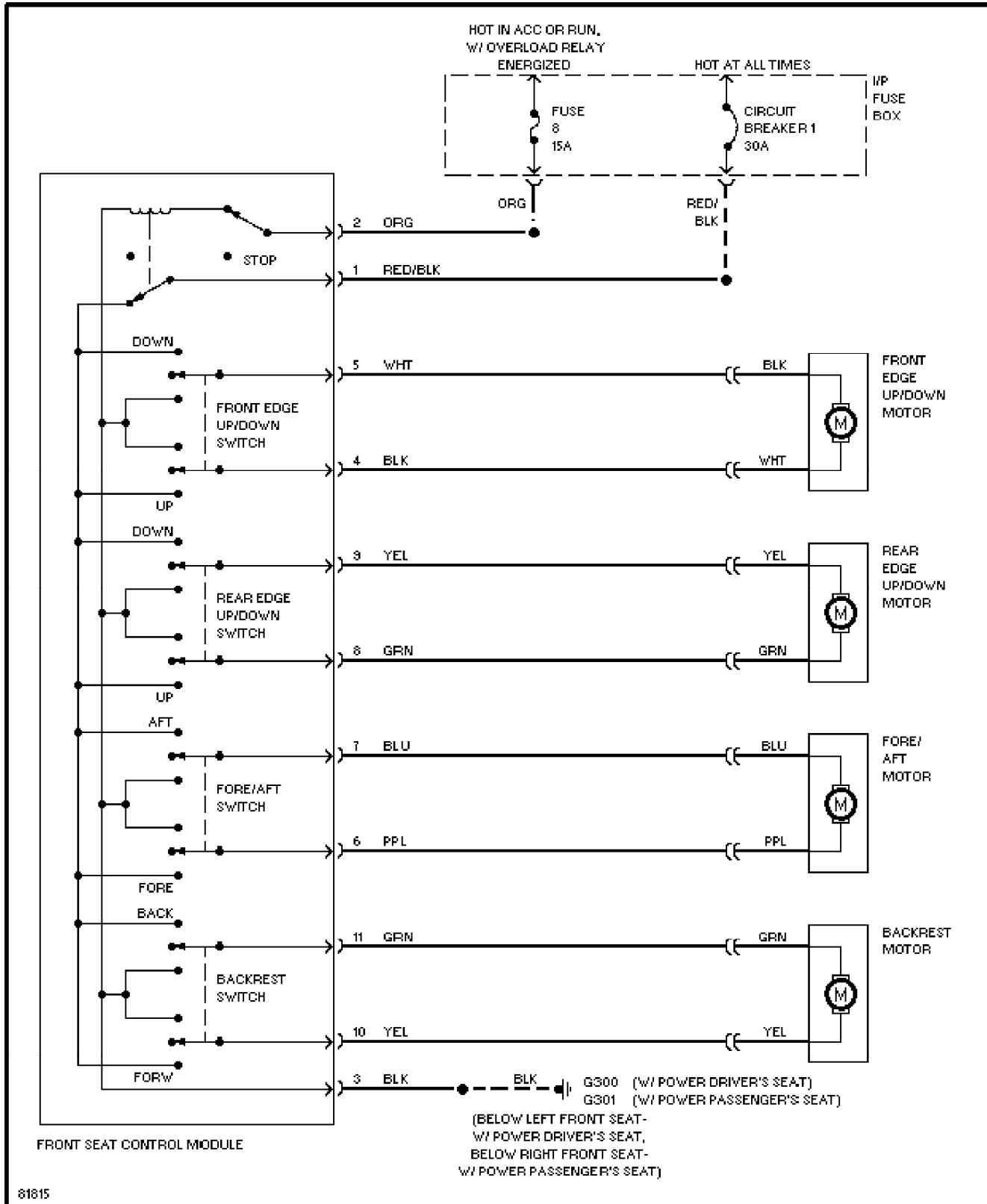
Power Seats Circuit

1995 Volvo 960

For x

Copyright © 1998 Mitchell Repair Information Company, LLC

Saturday, July 24, 2004 10:46AM



SYSTEM WIRING DIAGRAMS

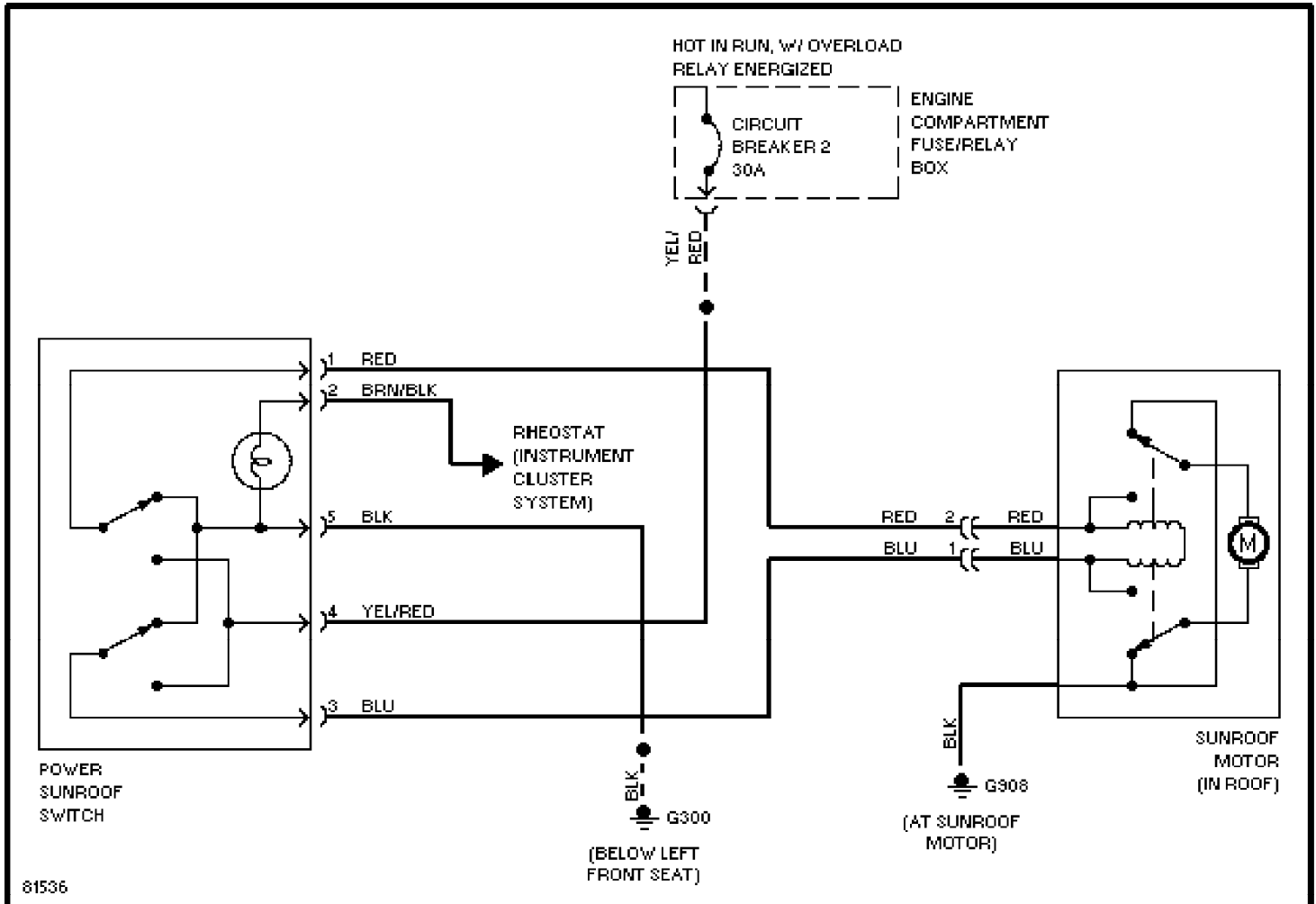
Power Top/Sunroof Circuits

1995 Volvo 960

For x

Copyright © 1998 Mitchell Repair Information Company, LLC

Saturday, July 24, 2004 10:46AM



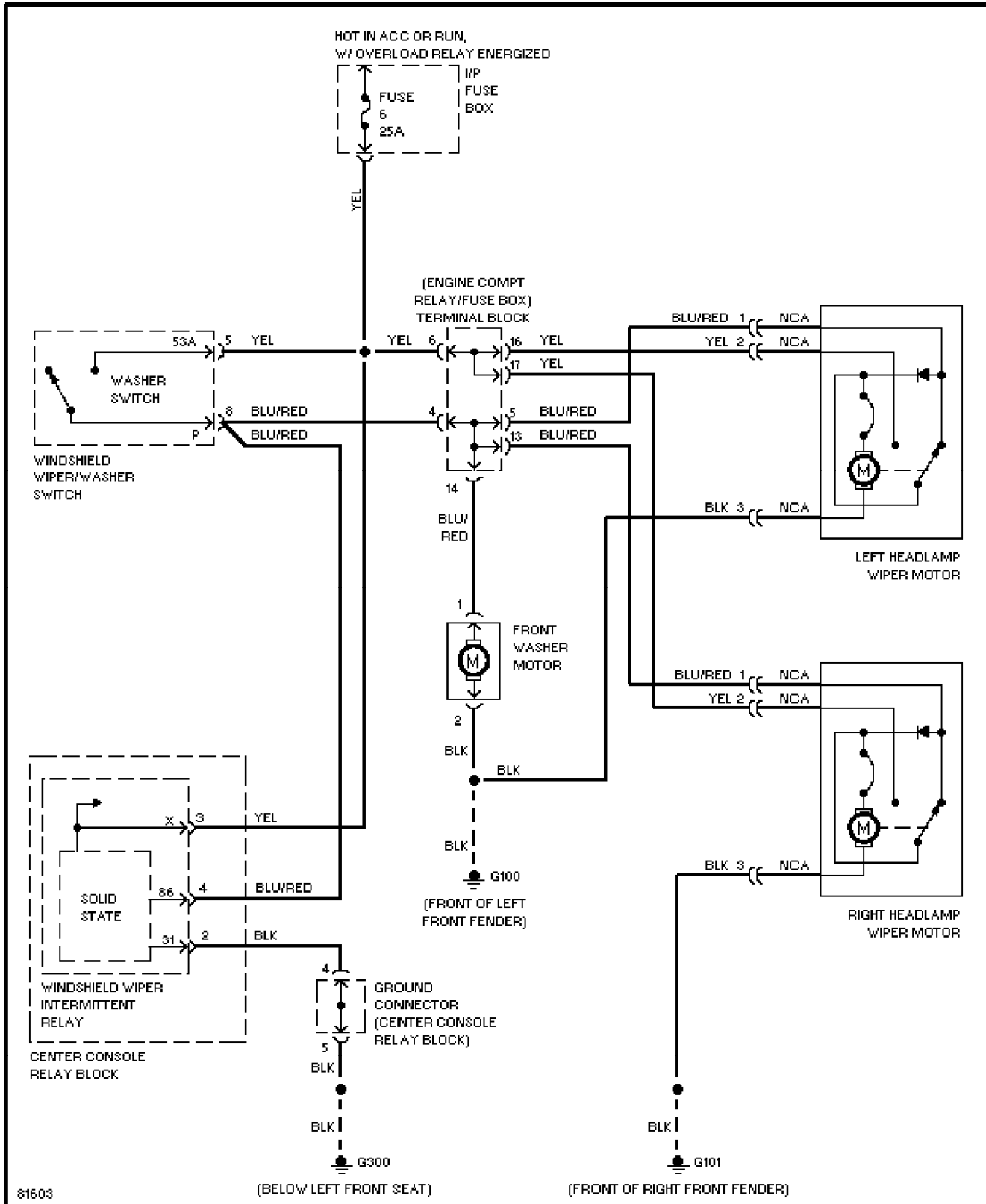
SYSTEM WIRING DIAGRAMS

Headlamp Wiper/Washer Circuit

1995 Volvo 960

For x

Copyright © 1998 Mitchell Repair Information Company, LLC
Saturday, July 24, 2004 10:47AM



SYSTEM WIRING DIAGRAMS

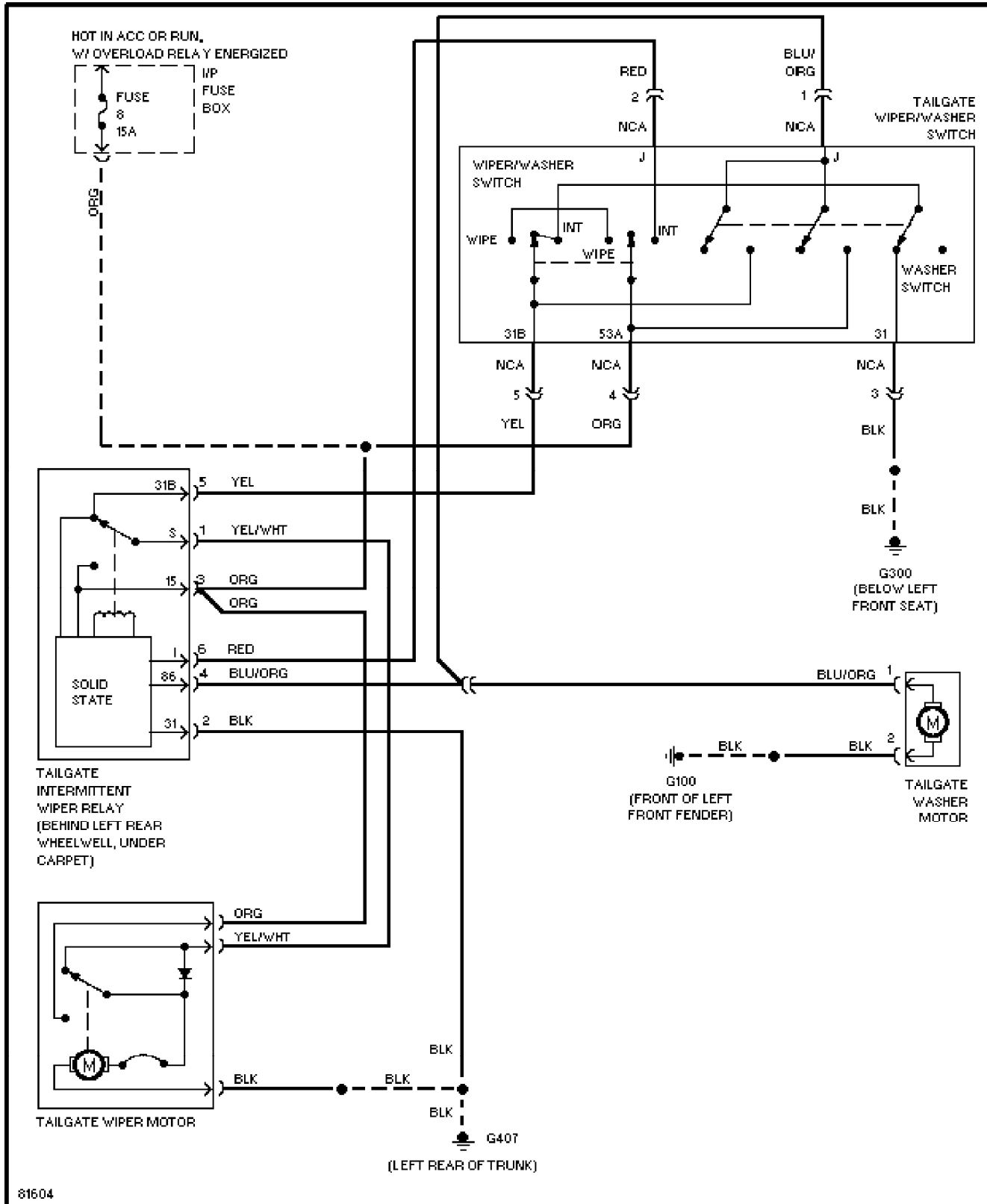
Rear Wiper/Washer Circuit

1995 Volvo 960

For x

Copyright © 1998 Mitchell Repair Information Company, LLC

Saturday, July 24, 2004 10:47AM



SYSTEM WIRING DIAGRAMS

Shift Interlock Circuit

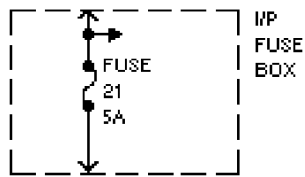
1995 Volvo 960

For x

Copyright © 1998 Mitchell Repair Information Company, LLC

Saturday, July 24, 2004 10:47AM

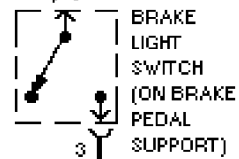
HOT IN RUN, W/ OVERLOAD
RELAY ENERGIZED



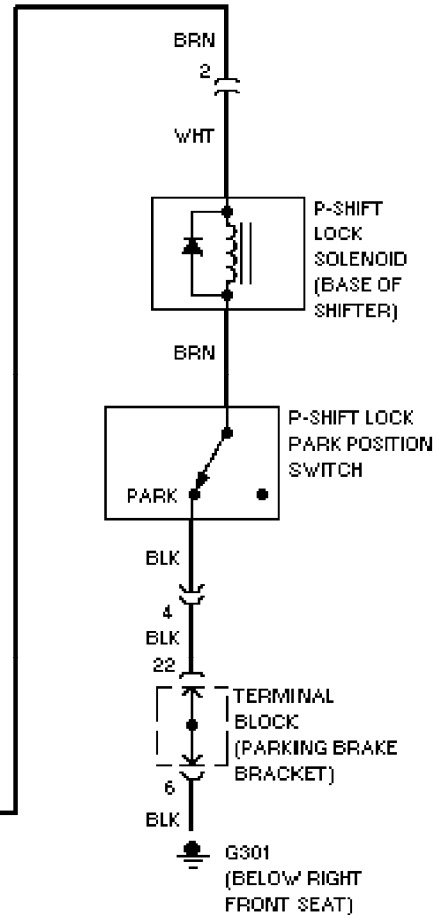
YEL/
GRY

YEL/
GRY

4



BRN



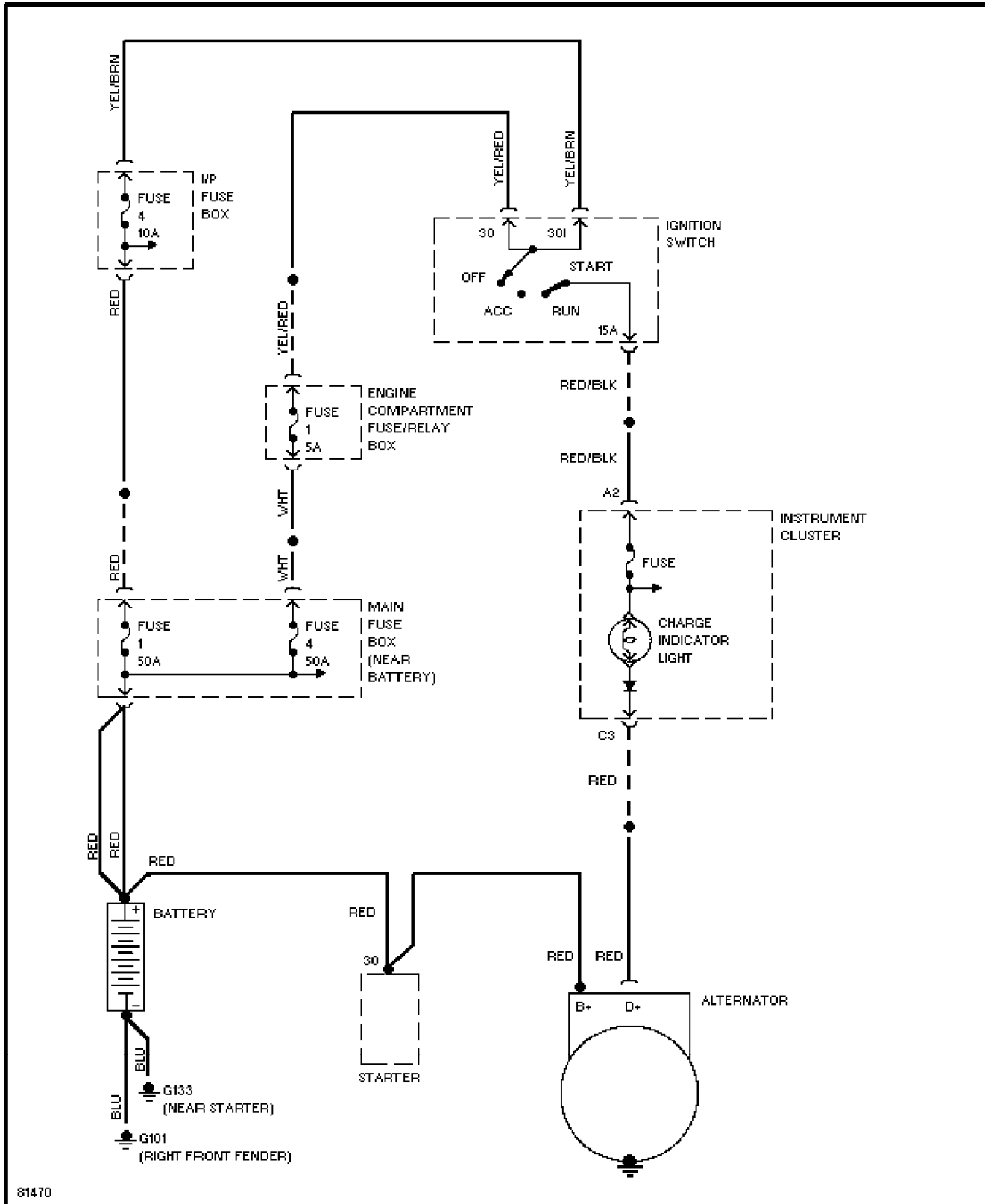
SYSTEM WIRING DIAGRAMS

Charging Circuit

1995 Volvo 960

For x

Copyright © 1998 Mitchell Repair Information Company, LLC
Saturday, July 24, 2004 10:47AM



SYSTEM WIRING DIAGRAMS

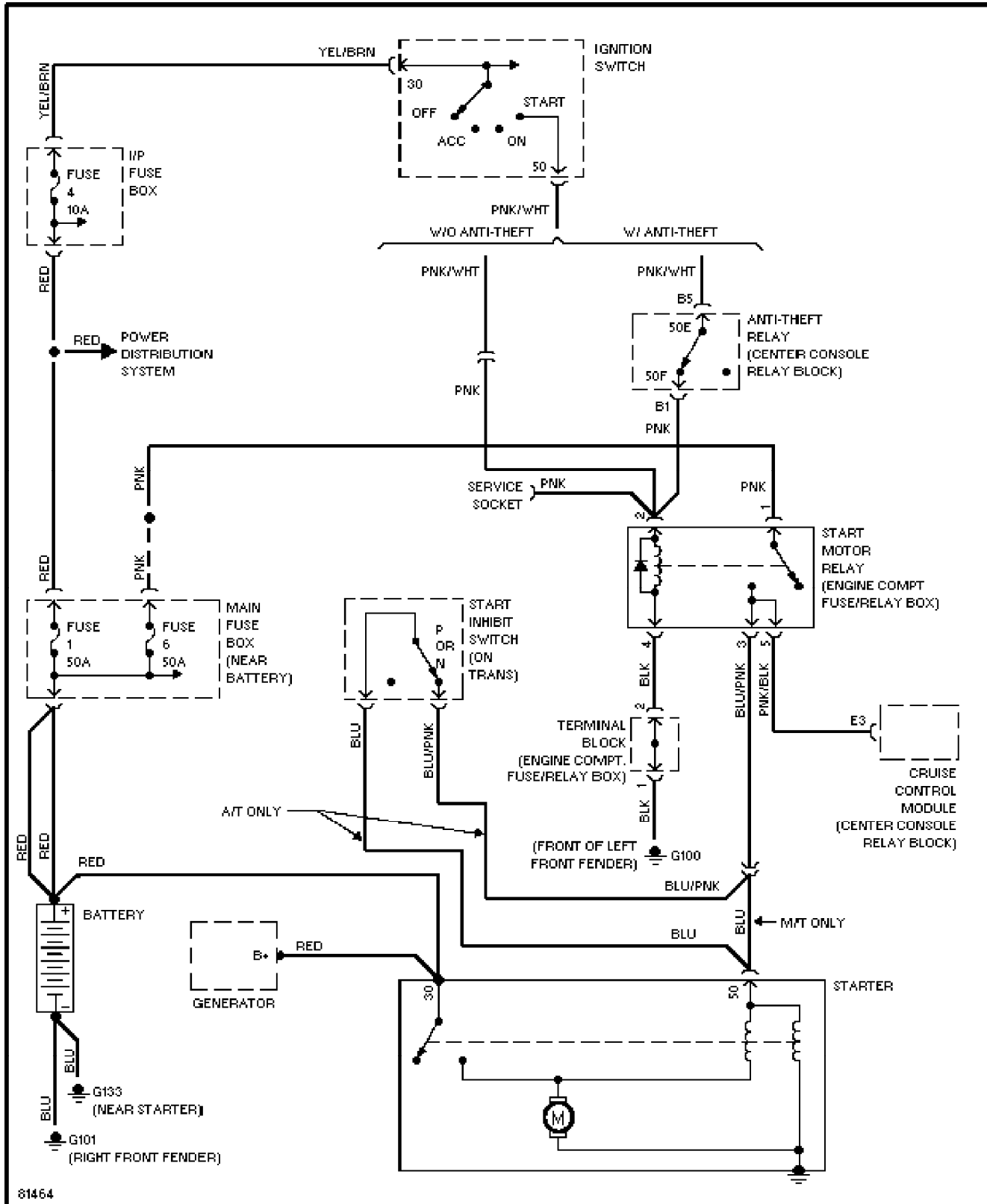
Starting Circuit

1995 Volvo 960

For x

Copyright © 1998 Mitchell Repair Information Company, LLC

Saturday, July 24, 2004 10:47AM



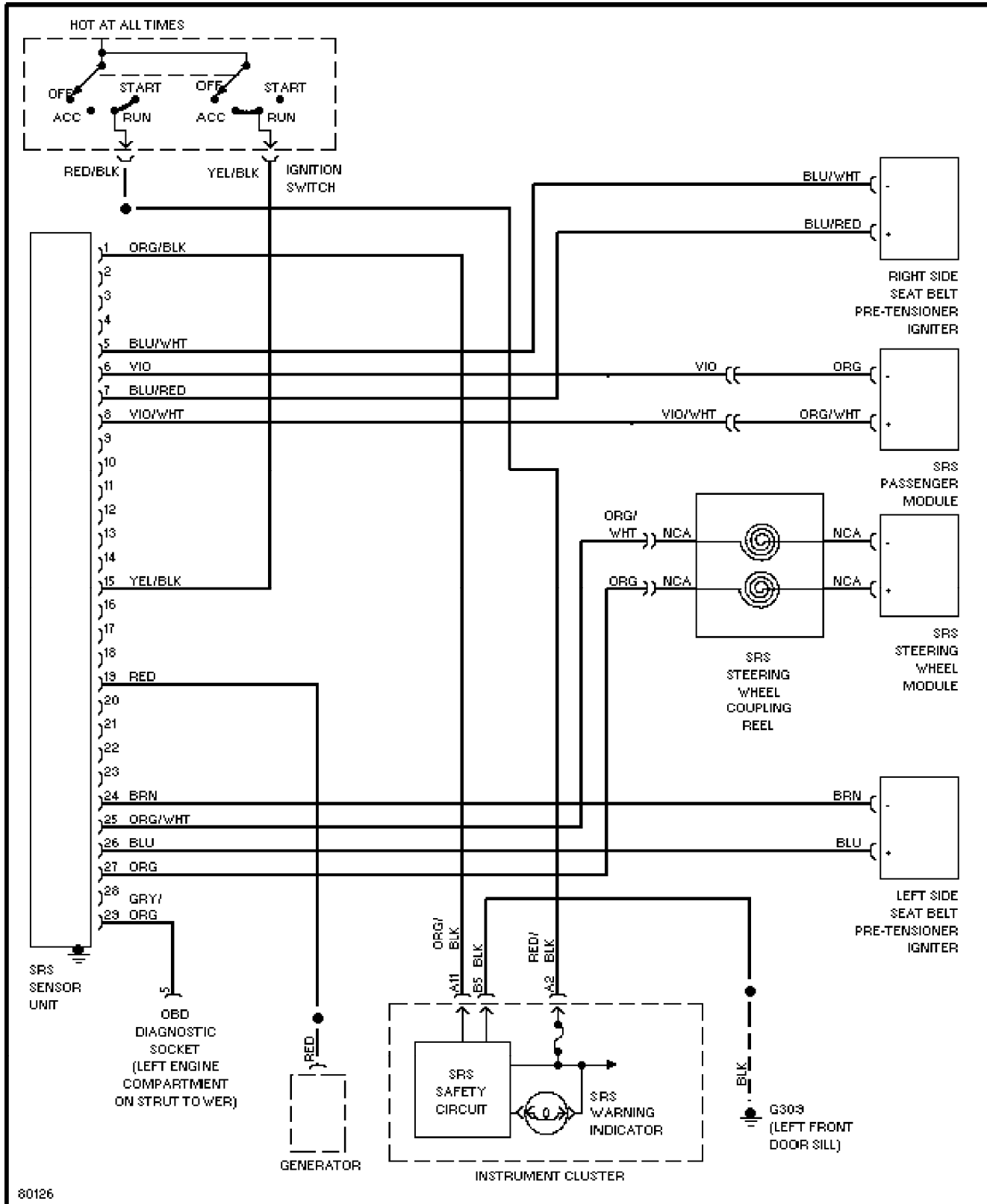
SYSTEM WIRING DIAGRAMS

Supplemental Restraint Circuit

1995 Volvo 960

For x

Copyright © 1998 Mitchell Repair Information Company, LLC
 Saturday, July 24, 2004 10:47AM



SYSTEM WIRING DIAGRAMS

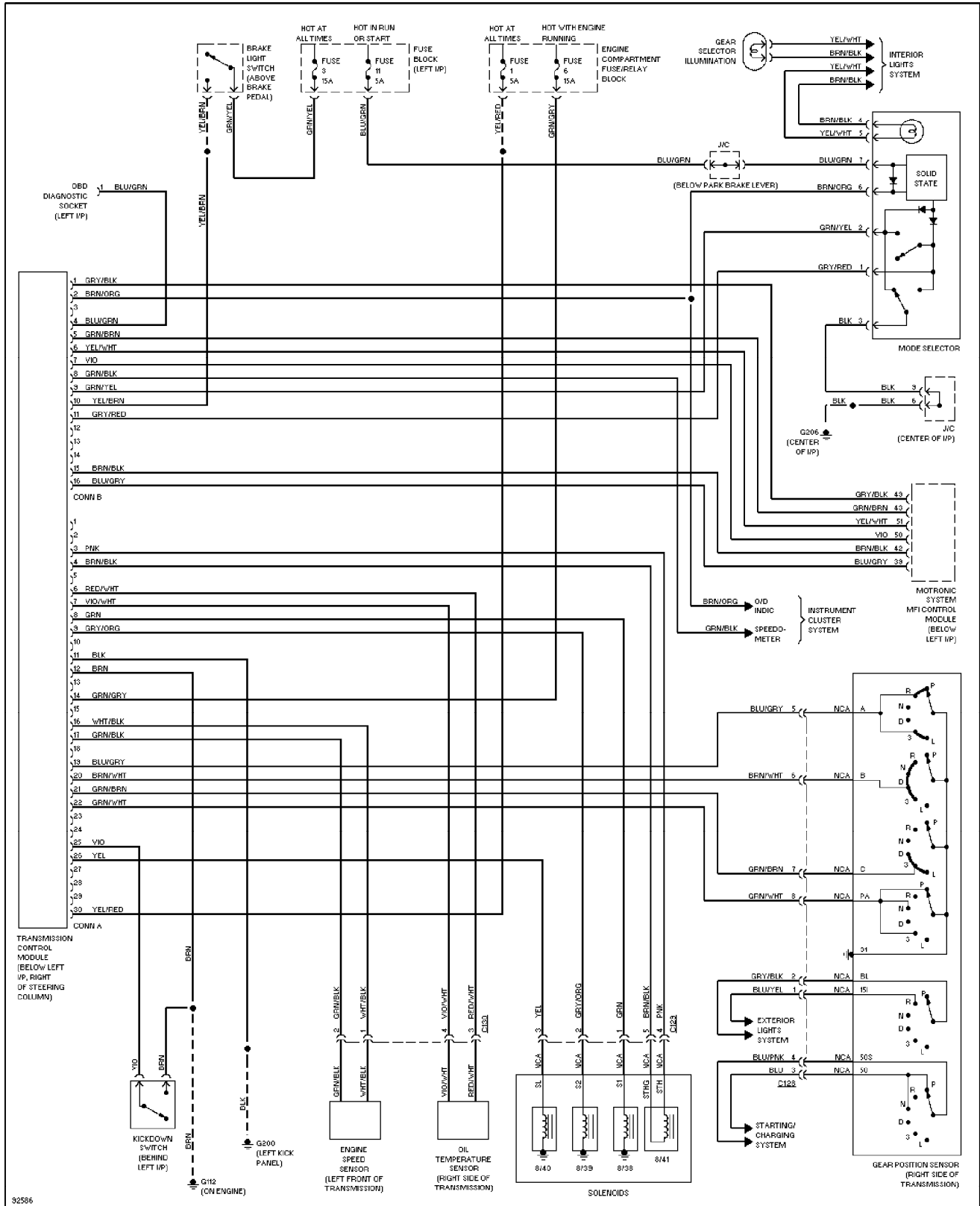
Transmission Circuit

1995 Volvo 960

For x

Copyright © 1998 Mitchell Repair Information Company, LLC

Saturday, July 24, 2004 10:47AM



SYSTEM WIRING DIAGRAMS

Warning System Circuits

1995 Volvo 960

For x

Copyright © 1998 Mitchell Repair Information Company, LLC

Saturday, July 24, 2004 10:47AM

